



US00D627470S

(12) **United States Design Patent**
Hickey et al.

(10) **Patent No.:** **US D627,470 S**
(45) **Date of Patent:** **** Nov. 16, 2010**

(54) **PERITONEAL DIALYSIS MACHINE WITH USER INTERFACE**

D437,408 S * 2/2001 Menzler et al. D24/107
6,210,361 B1 4/2001 Kamen et al.

(Continued)

(75) Inventors: **Katherine M. Hickey**, Manchester, NH (US); **Jesse T. Bodwell**, Manchester, NH (US); **James D. Dale**, Nashua, NH (US); **Jacob W. Scarpaci**, Manchester, NH (US); **David J. Hibbard**, Bedford, NH (US); **David E. Collins**, Manchester, NH (US); **Jason A. Demers**, Manchester, MA (US)

OTHER PUBLICATIONS

From the Fresenius Medical Care web site: <http://www.fmc-ag.com/internet/fmc/fmcag/neu/fmcpub.nsf/Content/Photo+Gallery+Product+PD>.

Primary Examiner—T. Chase Nelson
Assistant Examiner—Anhdao Doan
(74) *Attorney, Agent, or Firm*—Wolf, Greenfield & Sacks, P.C.

(73) Assignee: **DEKA Products Limited Partnership**, Manchester, NH (US)

(57) **CLAIM**

(**) Term: **14 Years**

The ornamental design for a peritoneal dialysis machine with user interface, as shown and described.

(21) Appl. No.: **29/331,330**

(22) Filed: **Jan. 23, 2009**

DESCRIPTION

Related U.S. Application Data

(63) Continuation-in-part of application No. 29/319,080, filed on Jun. 3, 2008, now abandoned.

FIG. 1 is a perspective view of the peritoneal dialysis machine with user interface showing the top, front and left sides thereof;

(51) **LOC (9) Cl.** **24-01**

(52) **U.S. Cl.** **D24/169**

(58) **Field of Classification Search** D24/169, D24/186, 138; D10/81; 210/252, 253, 321.65, 210/321.75, 645, 646; 435/286.5, 297.1, 435/297.2; 604/28, 29, 65, 131
See application file for complete search history.

FIG. 2 is a perspective view of the peritoneal dialysis machine with user interface showing the top, front and right sides thereof;

FIG. 3 is a perspective view of the peritoneal dialysis machine with user interface showing the top, rear and right sides thereof;

FIG. 4 is a perspective view of the peritoneal dialysis machine with user interface showing the top, rear and left sides thereof;

(56) **References Cited**

U.S. PATENT DOCUMENTS

- D308,249 S * 5/1990 Buckley D24/169
- D320,079 S * 9/1991 Kida D24/169
- D341,890 S * 11/1993 Sievert et al. D24/169
- 5,350,357 A 9/1994 Kamen et al.
- D351,469 S * 10/1994 Okamoto et al. D24/169
- D351,470 S * 10/1994 Scherer et al. D24/169
- D381,748 S * 7/1997 Matsuda et al. D24/169
- 6,070,761 A 6/2000 Bloom et al.

FIG. 5 is a front side view thereof;

FIG. 6 is a rear side view thereof;

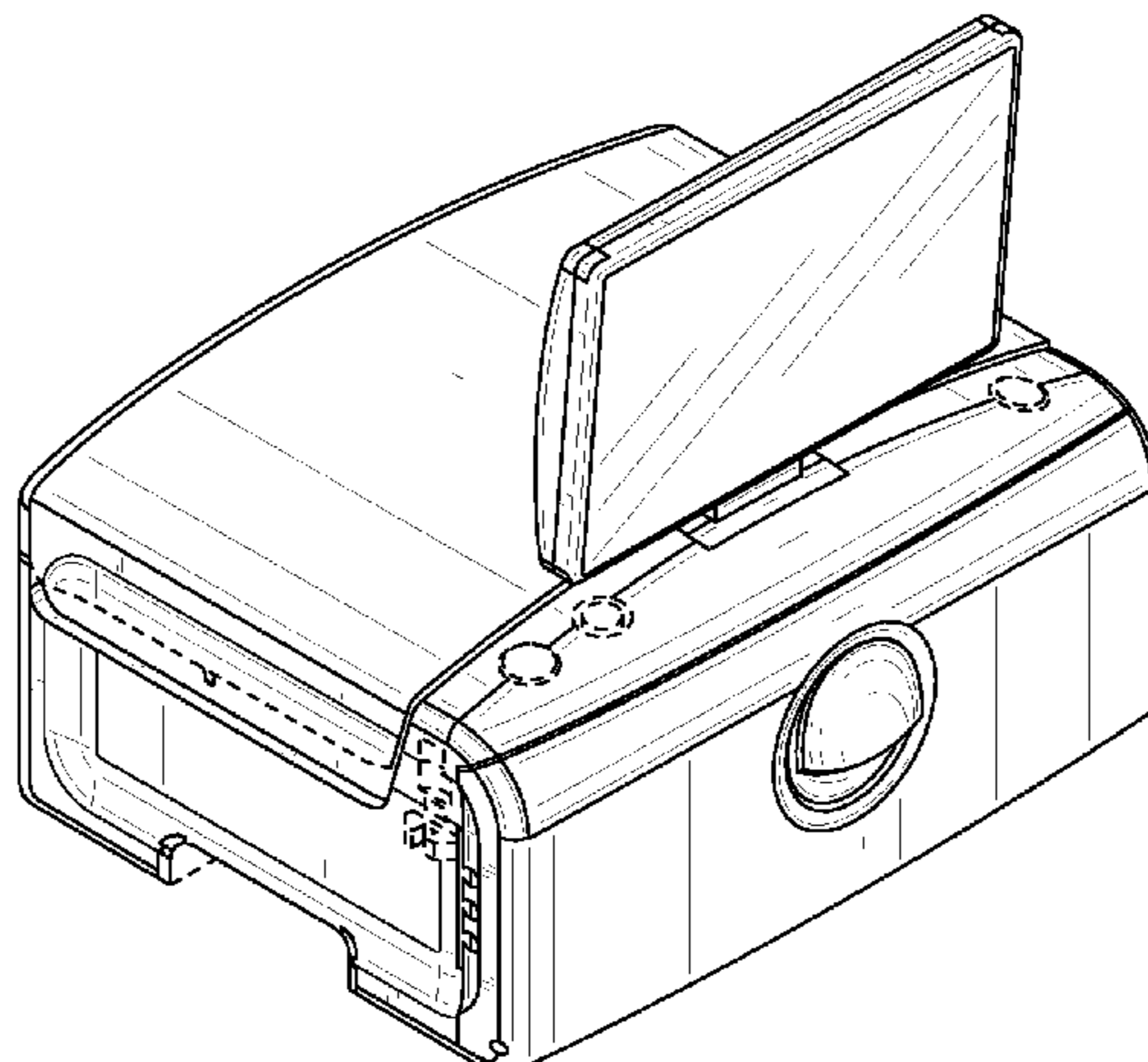
FIG. 7 is a left side view thereof;

FIG. 8 is a right side view thereof; and,

FIG. 9 is a top side view thereof.

The broken lines in the drawing views are included for the purpose of illustrating portions of the dialysis machine that form no part of the claimed design.

1 Claim, 9 Drawing Sheets



US D627,470 S

Page 2

U.S. PATENT DOCUMENTS

6,595,948	B2 *	7/2003	Suzuki et al.	604/29	D556,910	S *	12/2007	Reihanifam et al.	D24/169
7,153,286	B2 *	12/2006	Busby et al.	604/6.11	7,559,913	B1 *	7/2009	Jeppsson et al.	604/29
7,195,607	B2 *	3/2007	Westberg et al.	604/6.11	7,632,080	B2	12/2009	Tracey et al.	

* cited by examiner

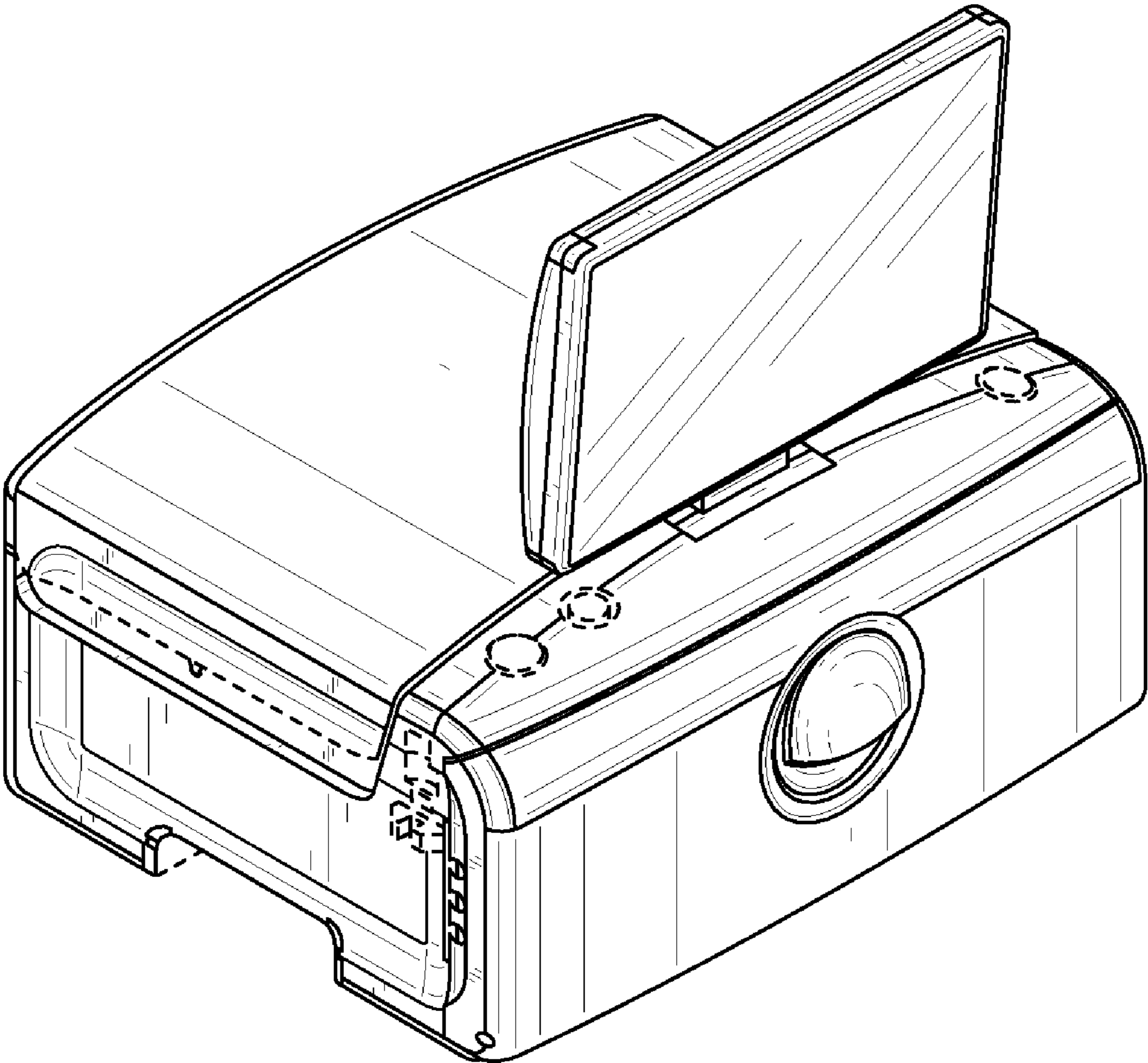


FIG. 1

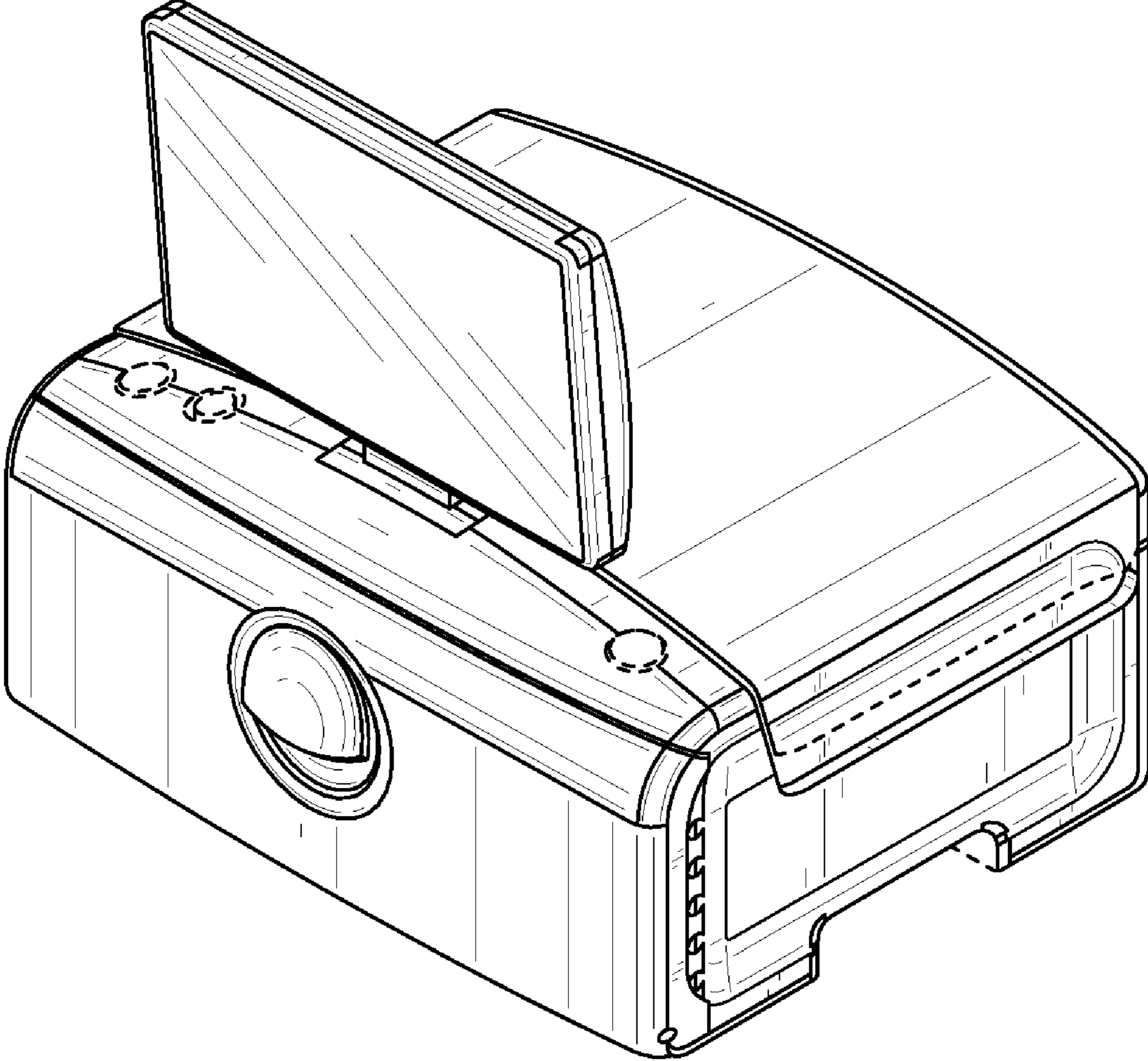


FIG. 2

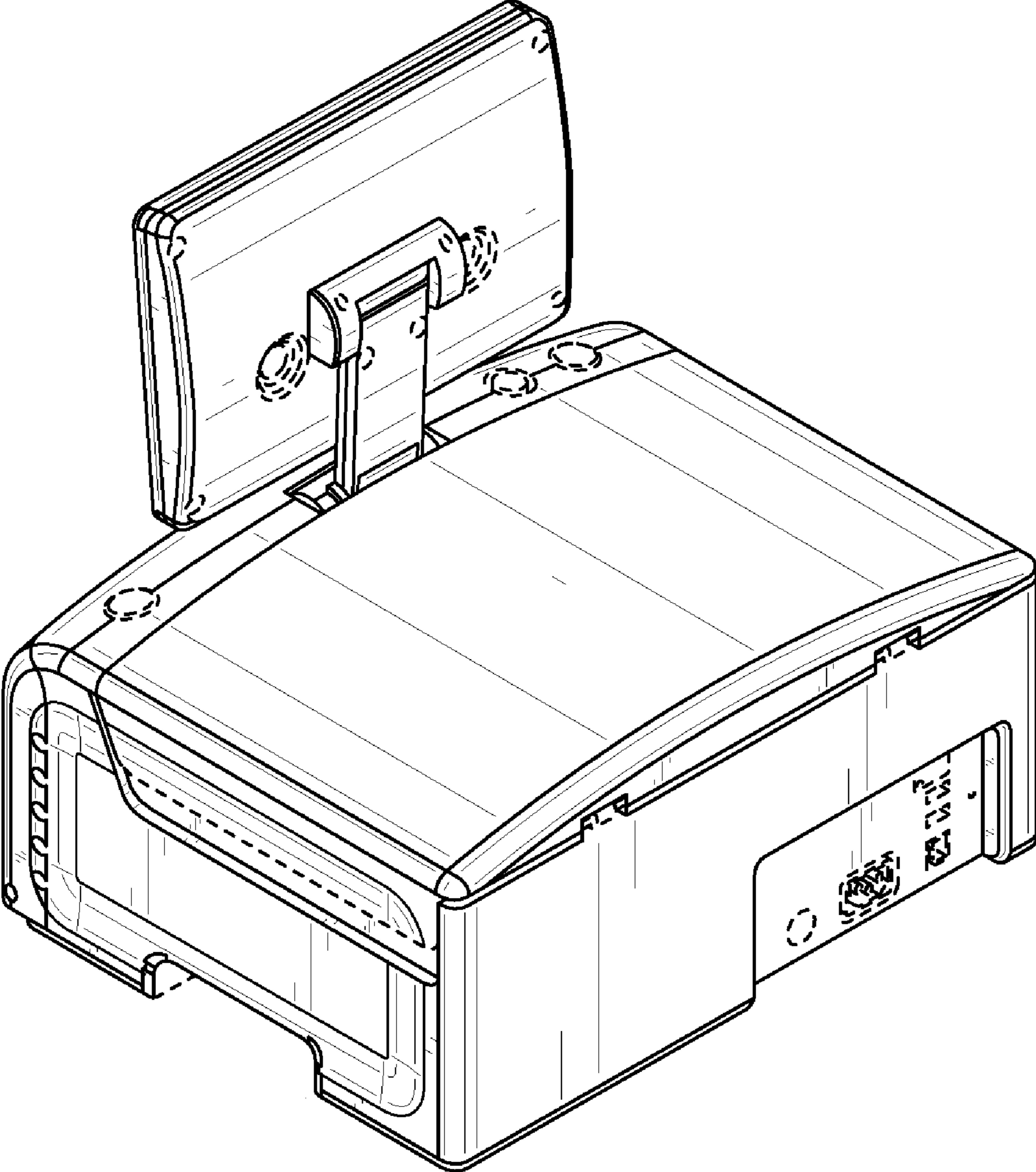


FIG. 3

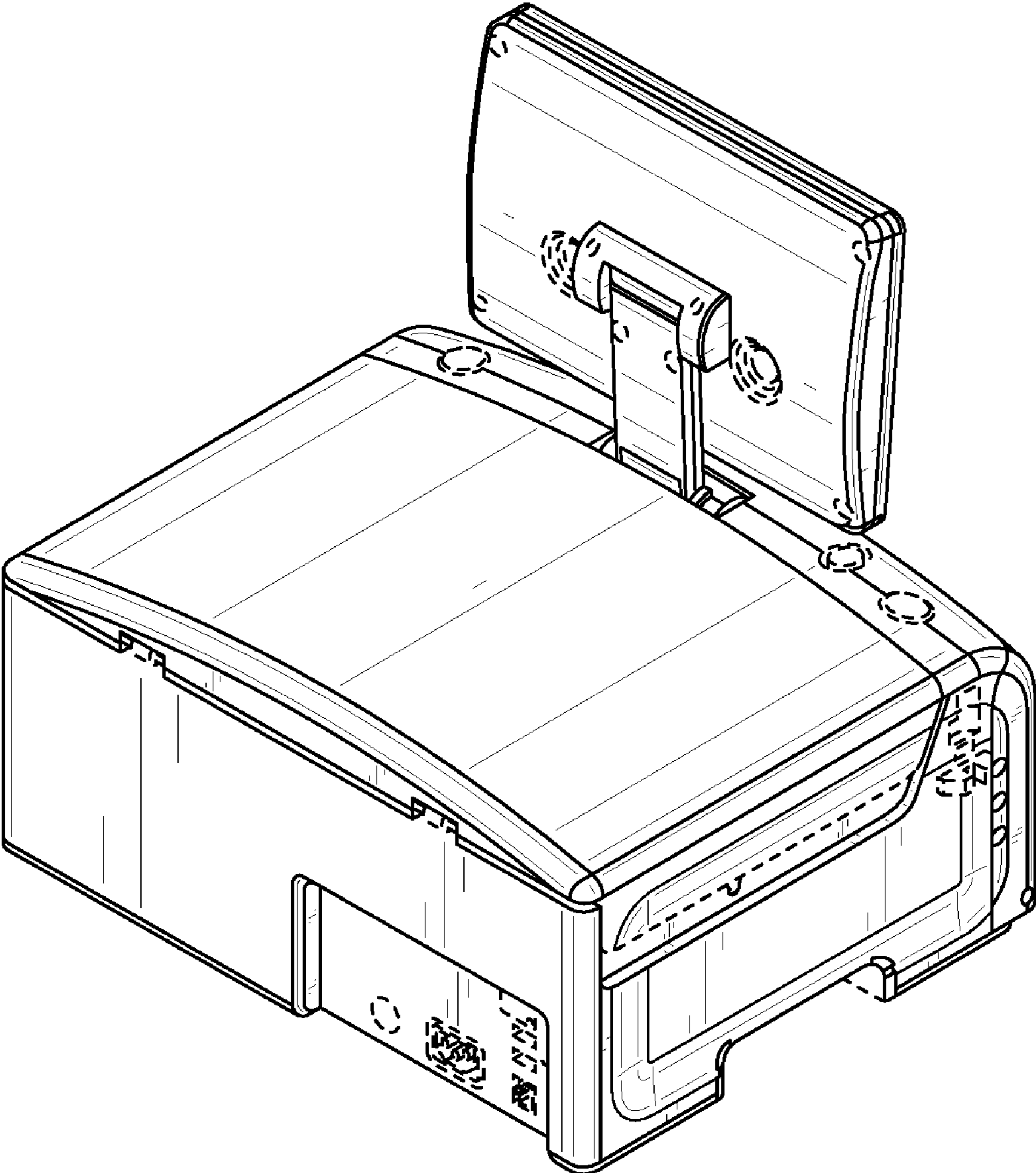


FIG. 4

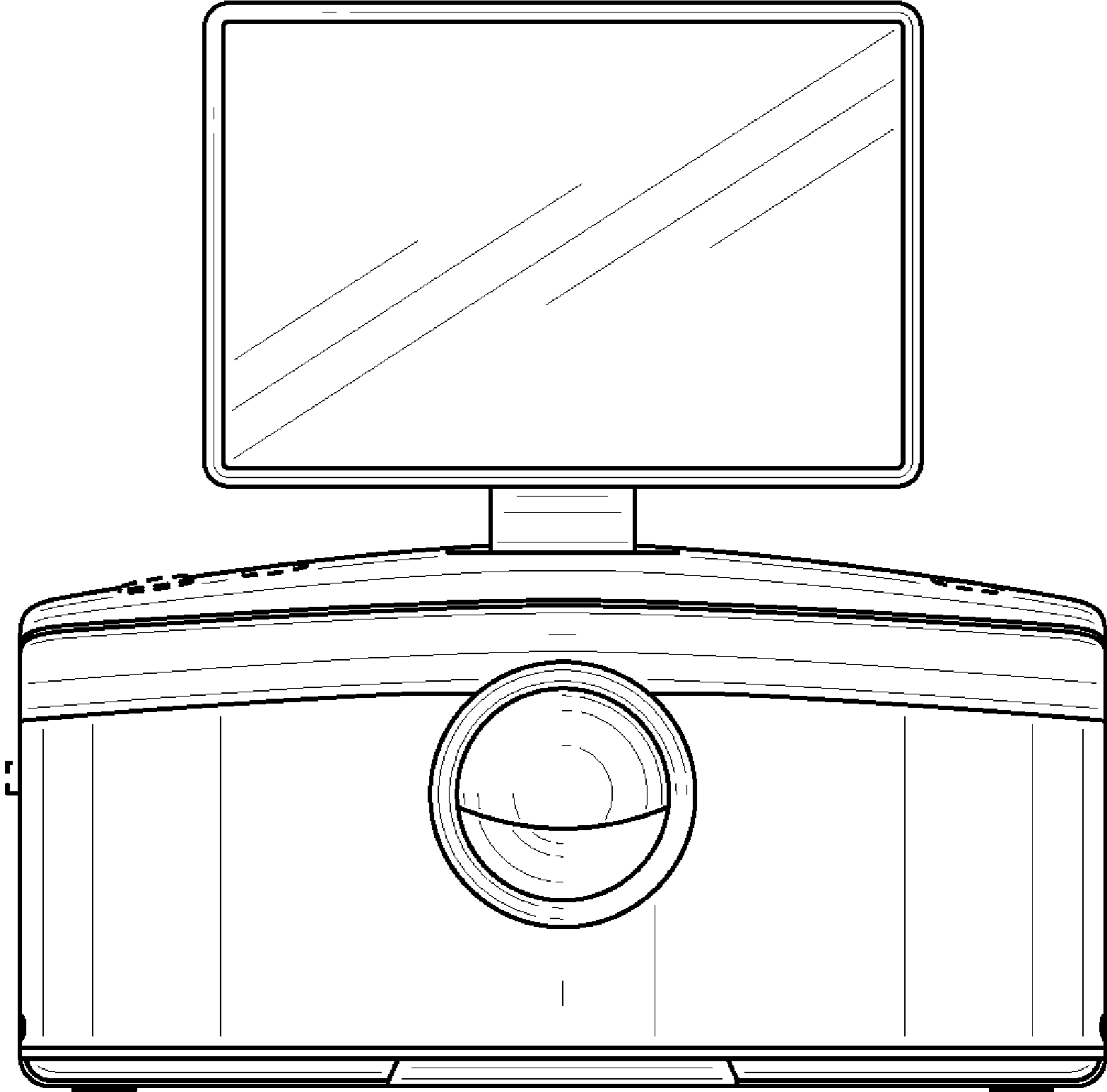


FIG. 5

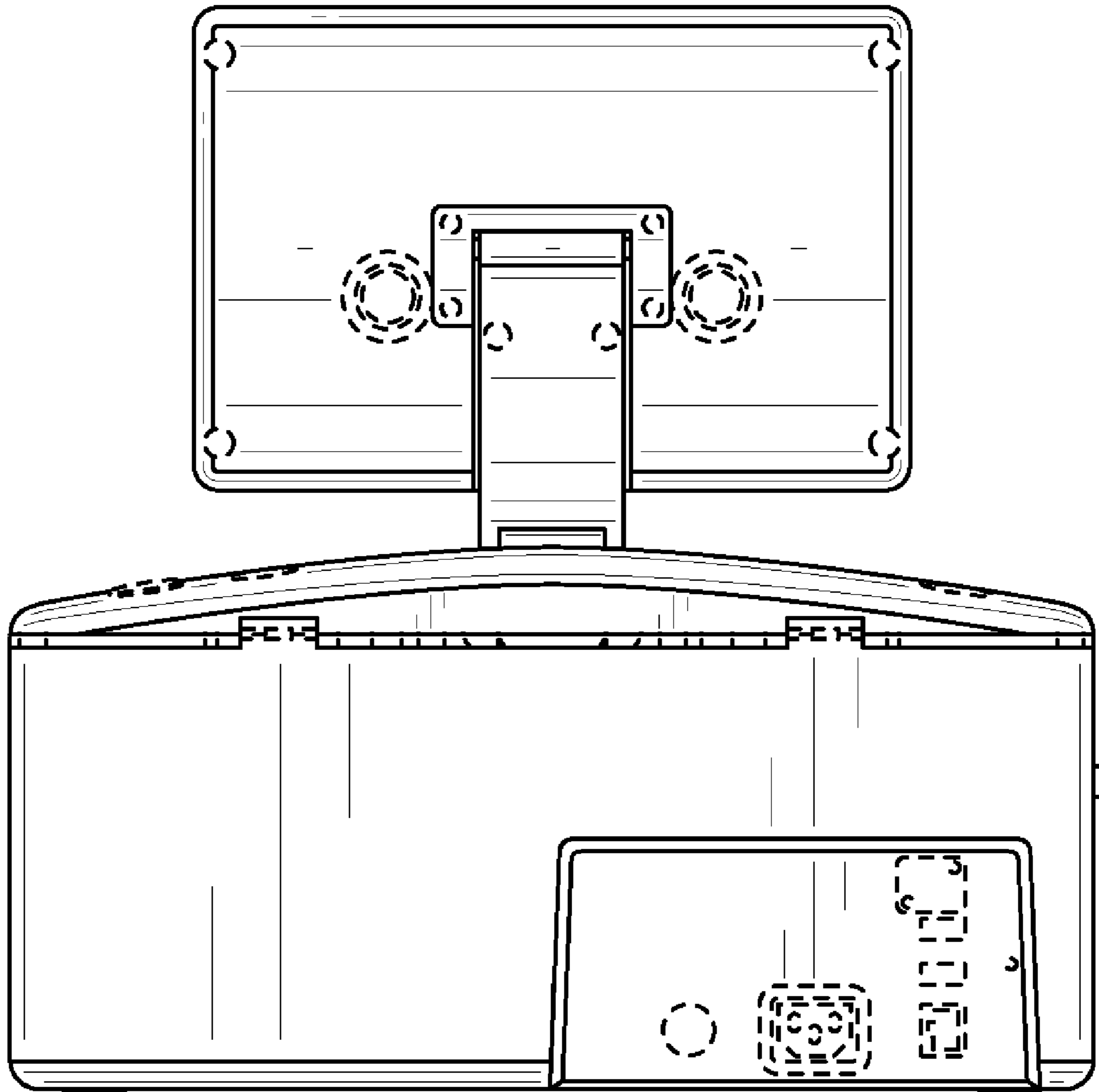


FIG. 6

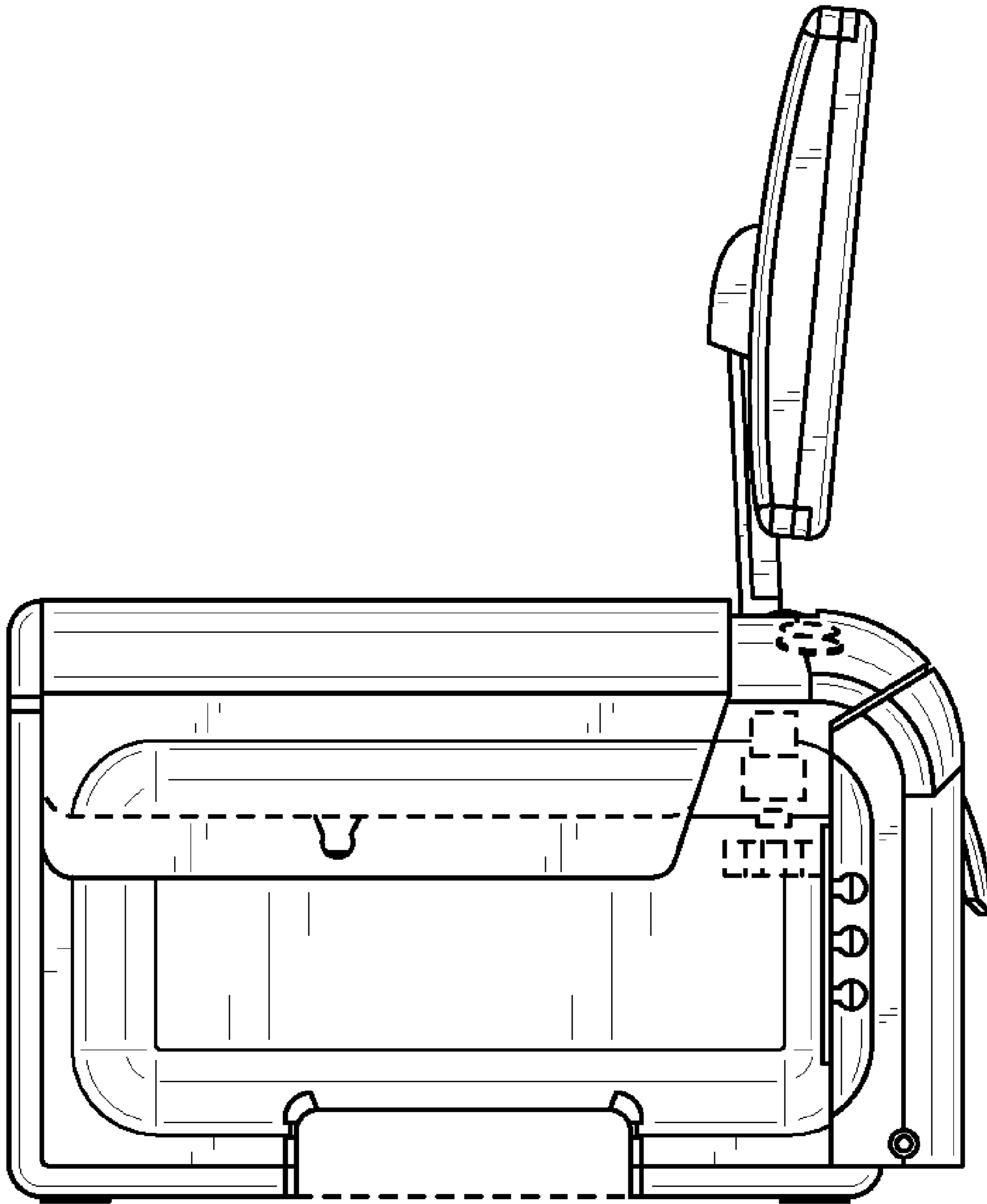


FIG. 7

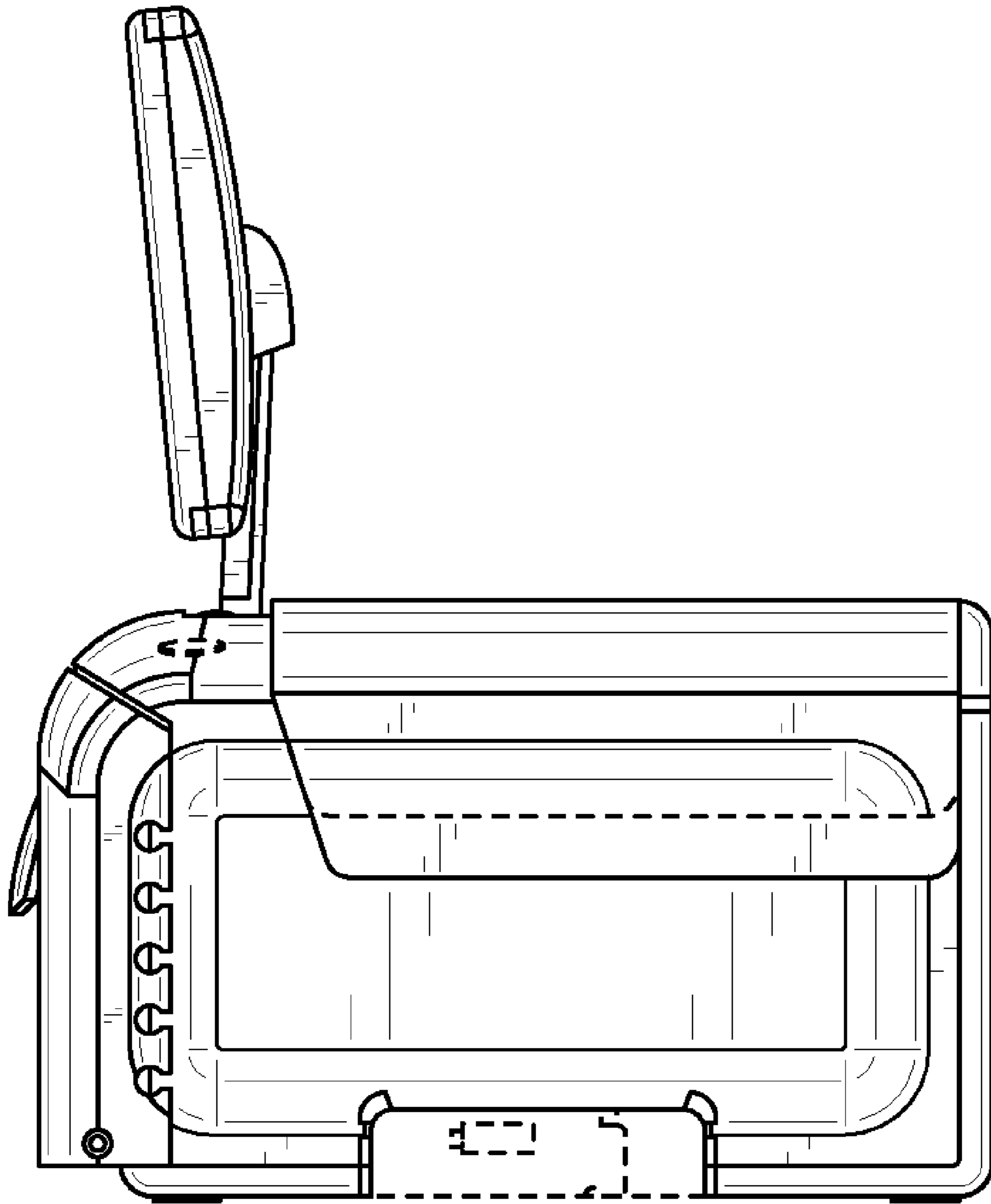


FIG. 8

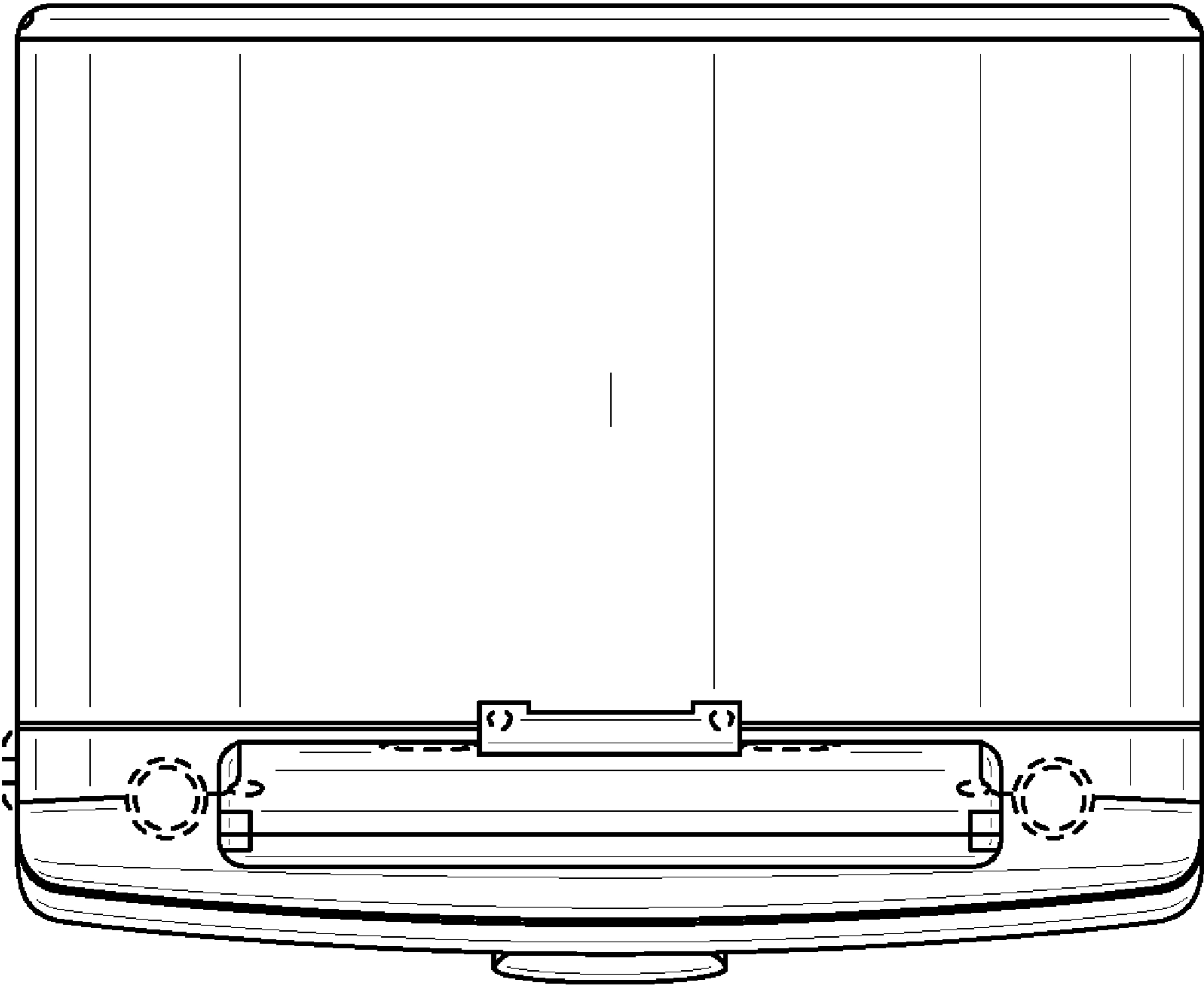


FIG. 9