

US00D627465S

(12) **United States Design Patent**  
**Sparby**

(10) **Patent No.:** **US D627,465 S**

(45) **Date of Patent:** **\*\* Nov. 16, 2010**

(54) **OSTOMY PATCH CUTTER**

(76) **Inventor:** **Wallace Sparby**, 1430 Oakland Park Rd., Thief River Falls, MN (US) 56701

(\*\*) **Term:** **14 Years**

(21) **Appl. No.:** **29/313,105**

(22) **Filed:** **Dec. 8, 2008**

(51) **LOC (9) Cl.** ..... **24-02**

(52) **U.S. Cl.** ..... **D24/147; D24/146**

(58) **Field of Classification Search** ..... D24/129, D24/107, 146-147, 133; 30/300, 301, 310, 30/316, 115, 123, 123.5, 123.6, 113.1, 286, 30/293, 306-307, 289-290, 292, 319; 83/522.24, 83/829, 856; 604/277, 332, 338, 322, 331, 604/337, 344, 352; D18/34.3, 34.8; D8/51, D8/98; D19/72; D10/68

See application file for complete search history.

(56) **References Cited**

**U.S. PATENT DOCUMENTS**

3,482,311	A *	12/1969	Farris	.....	30/301
4,593,467	A *	6/1986	Safar	.....	30/300
4,911,051	A *	3/1990	Depetris	.....	83/856
4,924,574	A *	5/1990	Jones et al.	.....	30/115
5,079,843	A *	1/1992	Shelton et al.	.....	30/310

D335,183	S *	4/1993	Everhart	.....	D24/147
D367,117	S *	2/1996	Batey	.....	D24/147
D375,034	S *	10/1996	Bowser	.....	D8/98
6,286,216	B1 *	9/2001	Braun	.....	30/310
6,823,764	B1 *	11/2004	Tsubota	.....	30/316

\* cited by examiner

*Primary Examiner*—Ian Simmons

*Assistant Examiner*—Wan Laymon

(74) *Attorney, Agent, or Firm*—D L Tschida

(57) **CLAIM**

The ornamental design for an ostomy patch cutter, as shown and described.

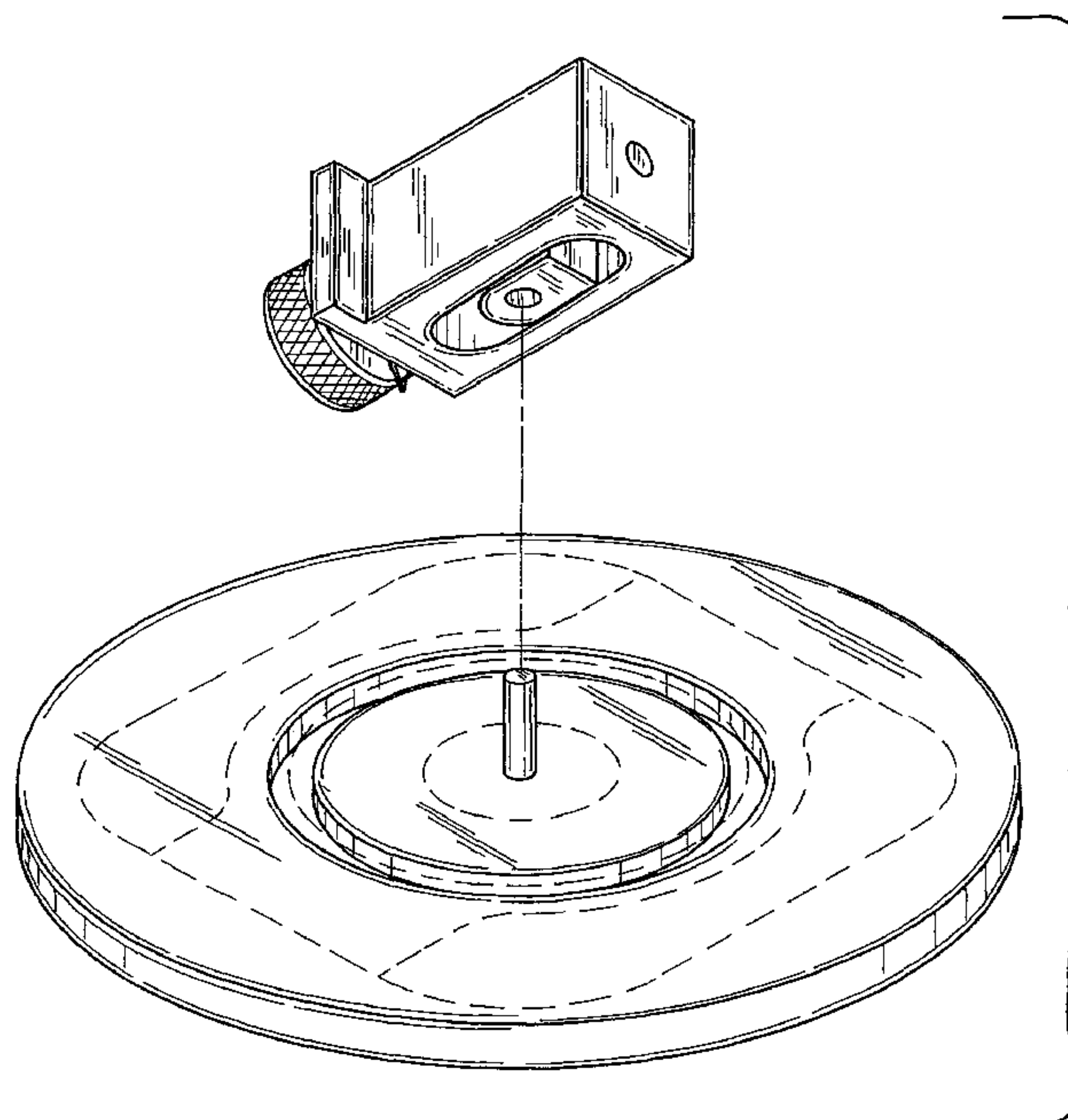
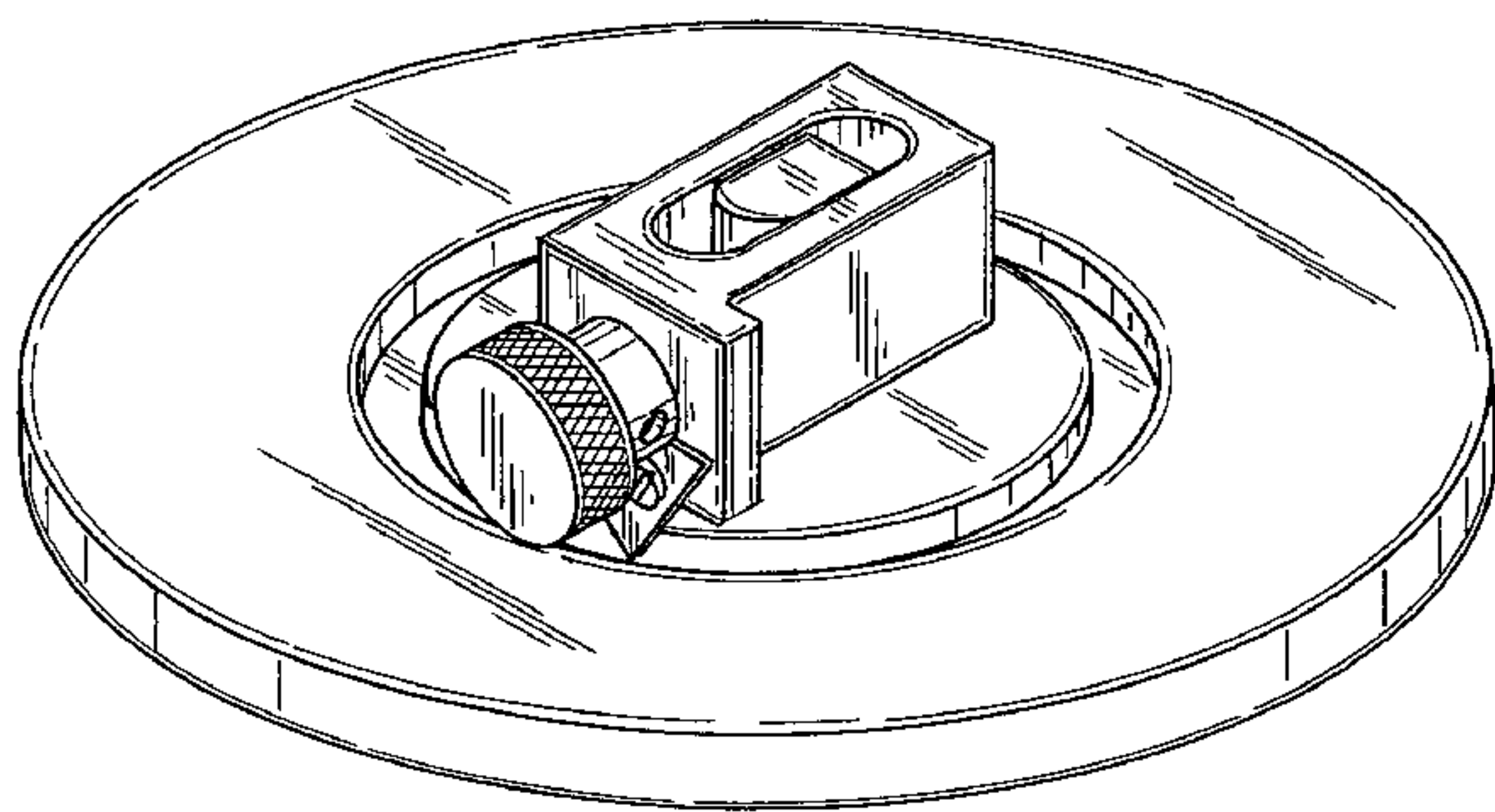
**DESCRIPTION**

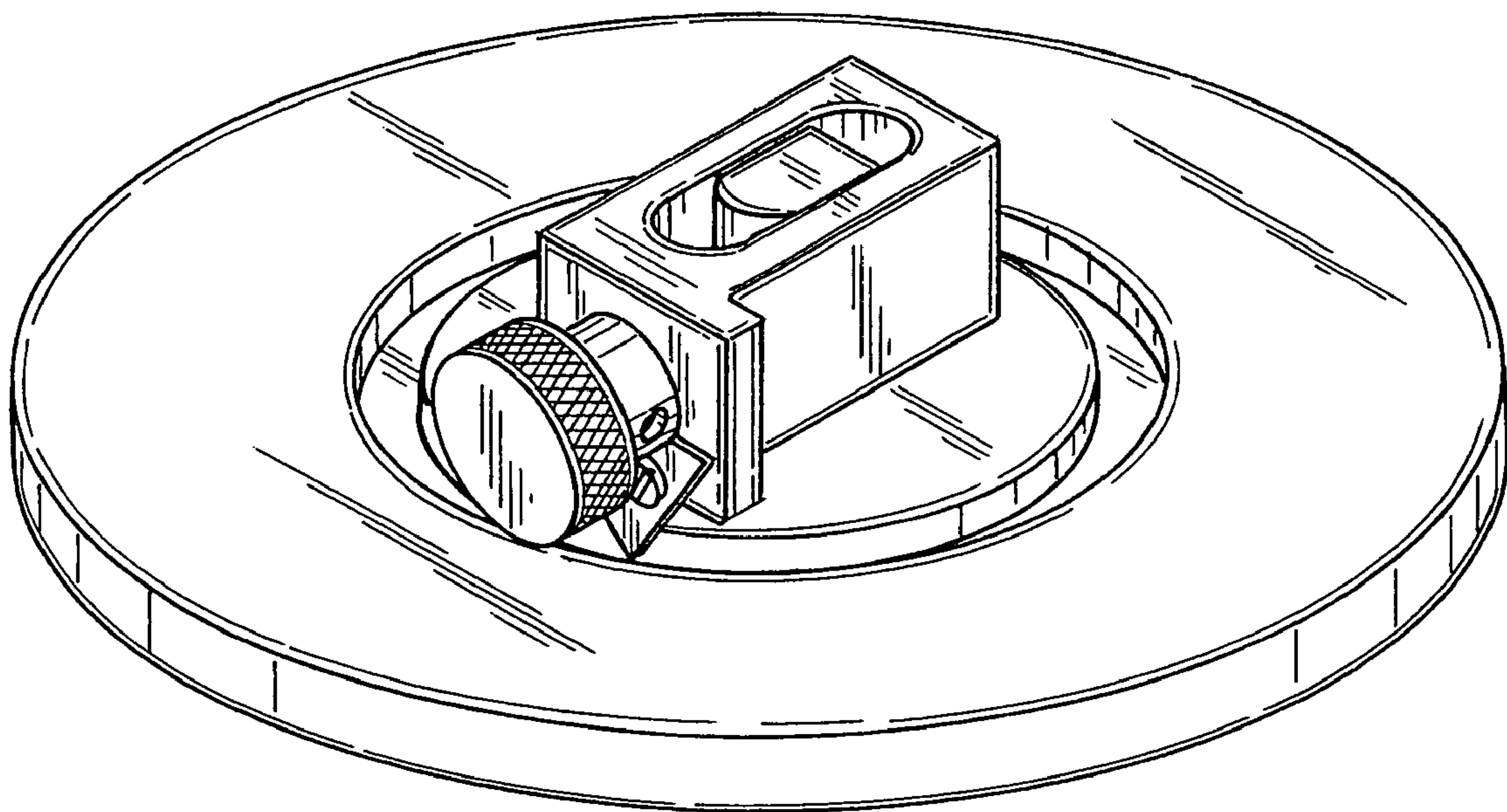
FIG. 1 is a perspective view of a front, right side and top of an ostomy patch cutter showing my new design.

FIG. 2 is an exploded perspective view showing the bottom, right side and rear view thereof, where the broken lines represent the patch of the ostomy patch cutter, which forms no part of the claimed design; and,

FIG. 3 is a top plan view thereof, where the broken lines represent a threaded member, which forms no part of the claimed design.

**1 Claim, 3 Drawing Sheets**





*FIG. 1*

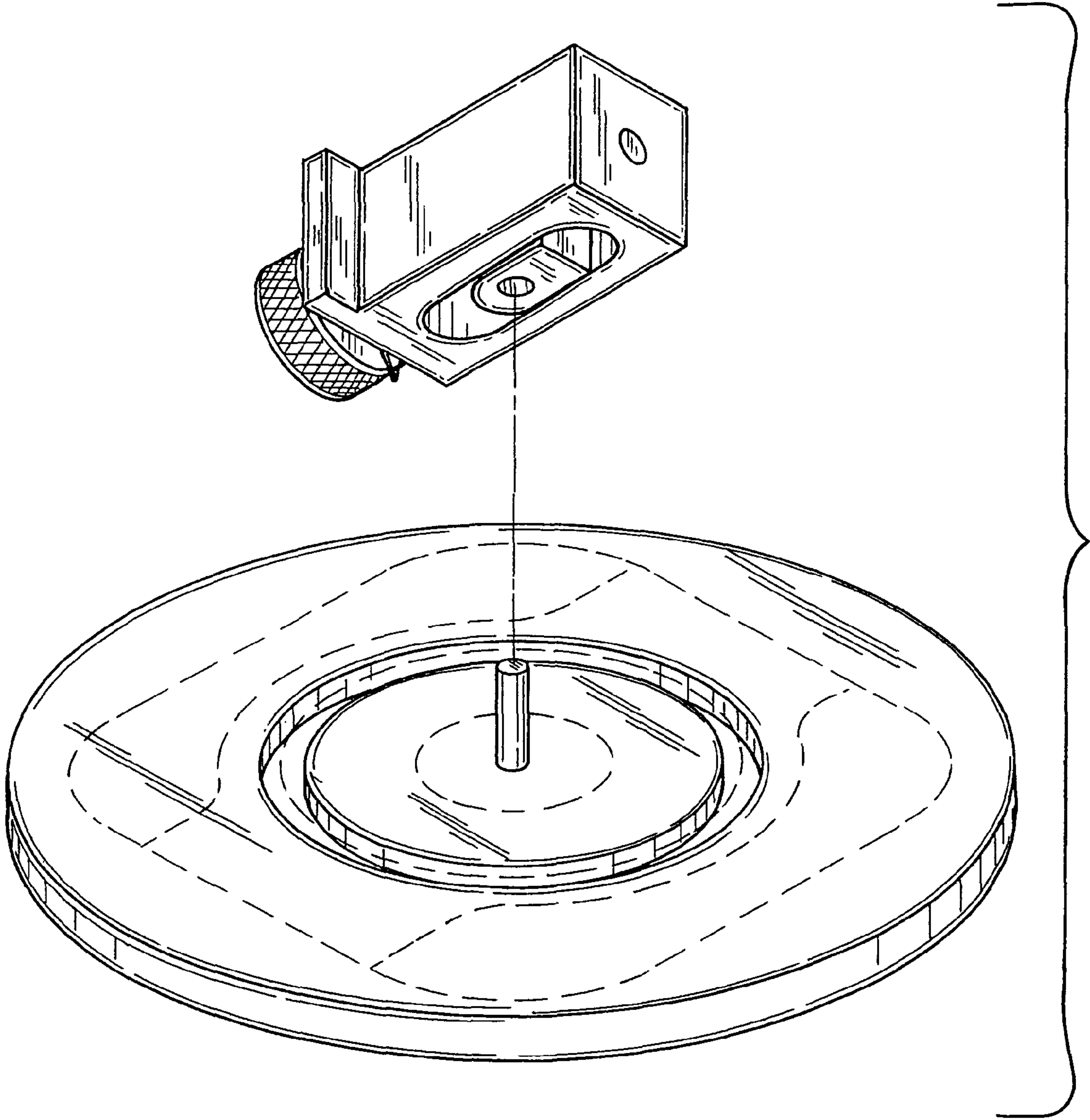
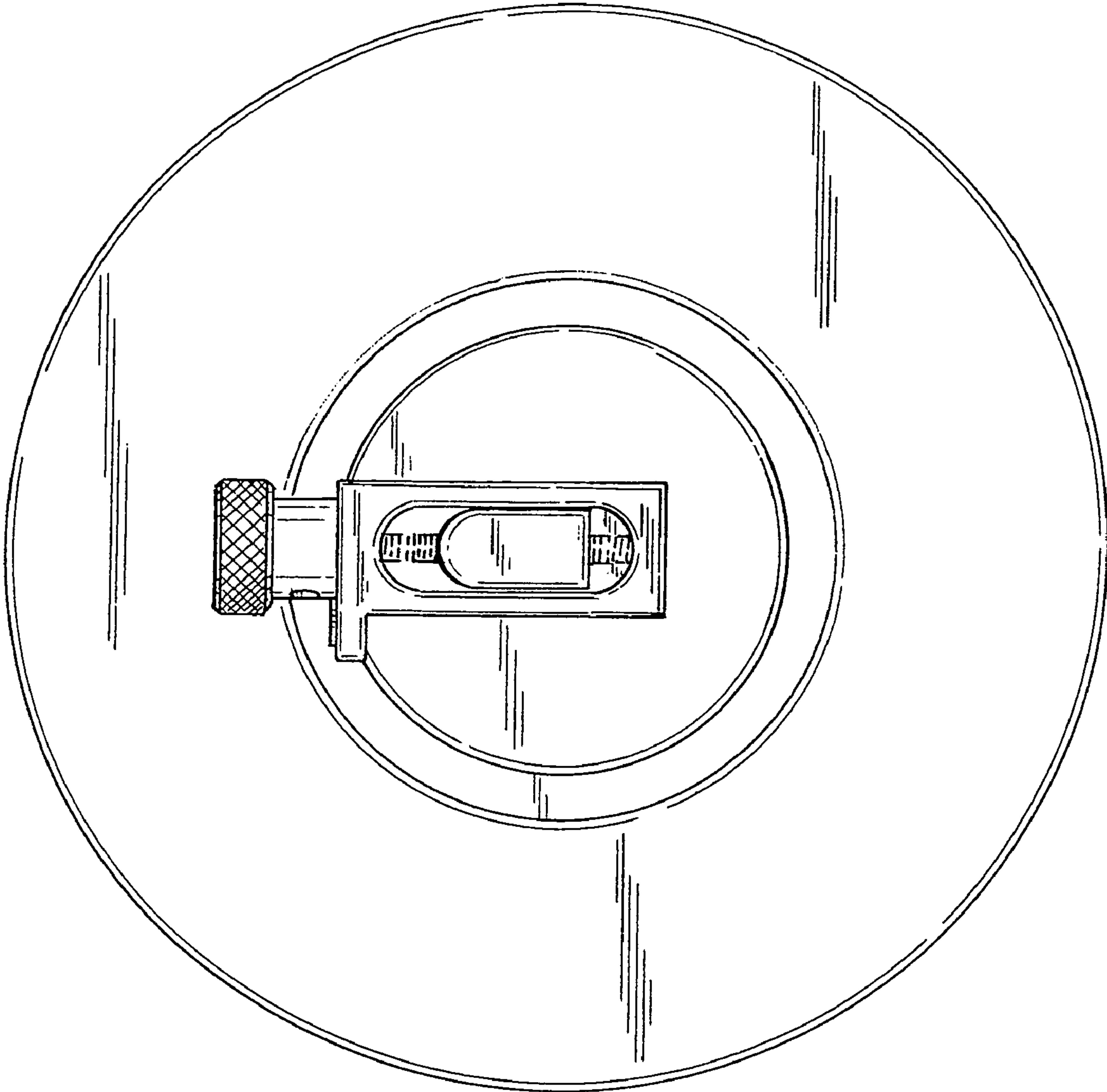


FIG. 2



*FIG. 3*