



US00D627463S

(12) **United States Design Patent**  
**Voic et al.**

(10) **Patent No.:** **US D627,463 S**

(45) **Date of Patent:** **\*\* Nov. 16, 2010**

(54) **ULTRASONIC WOUND TREATMENT PROBE**

2008/0300591 A1\* 12/2008 Darian et al. .... 606/41

(75) Inventors: **Dan Voic**, Cedar Grove, NJ (US); **Kirk DeLucia**, Smithtown, NY (US)

\* cited by examiner

(73) Assignee: **Misonix, Inc.**, Farmingdale, NY (US)

*Primary Examiner*—Freda S Nunn

*Assistant Examiner*—Wan Laymon

(\*\*) Term: **14 Years**

(74) *Attorney, Agent, or Firm*—R. Neil Sudol; Henry D. Coleman; William J. Sapone

(21) Appl. No.: **29/348,664**

(57) **CLAIM**

(22) Filed: **Jan. 27, 2010**

The ornamental design for the ultrasonic wound treatment probe, as shown and described.

(51) **LOC (9) Cl.** ..... **24-02**

(52) **U.S. Cl.** ..... **D24/144; D24/146**

(58) **Field of Classification Search** ..... D24/144,  
D24/146–147, 170; 600/101, 459; 606/79,  
606/85, 107, 167, 169, 170; 604/22  
See application file for complete search history.

**DESCRIPTION**

FIG. 1 is a top, front, and left side perspective view of an ultrasonic wound treatment probe, showing our new design;

FIG. 2 is a bottom plan view thereof;

FIG. 3 is a front elevational view thereof;

FIG. 4 is a top plan view thereof;

FIG. 5 is a rear elevational view thereof;

FIG. 6 is a left side elevational view thereof, the right side elevational view being identical thereto; and,

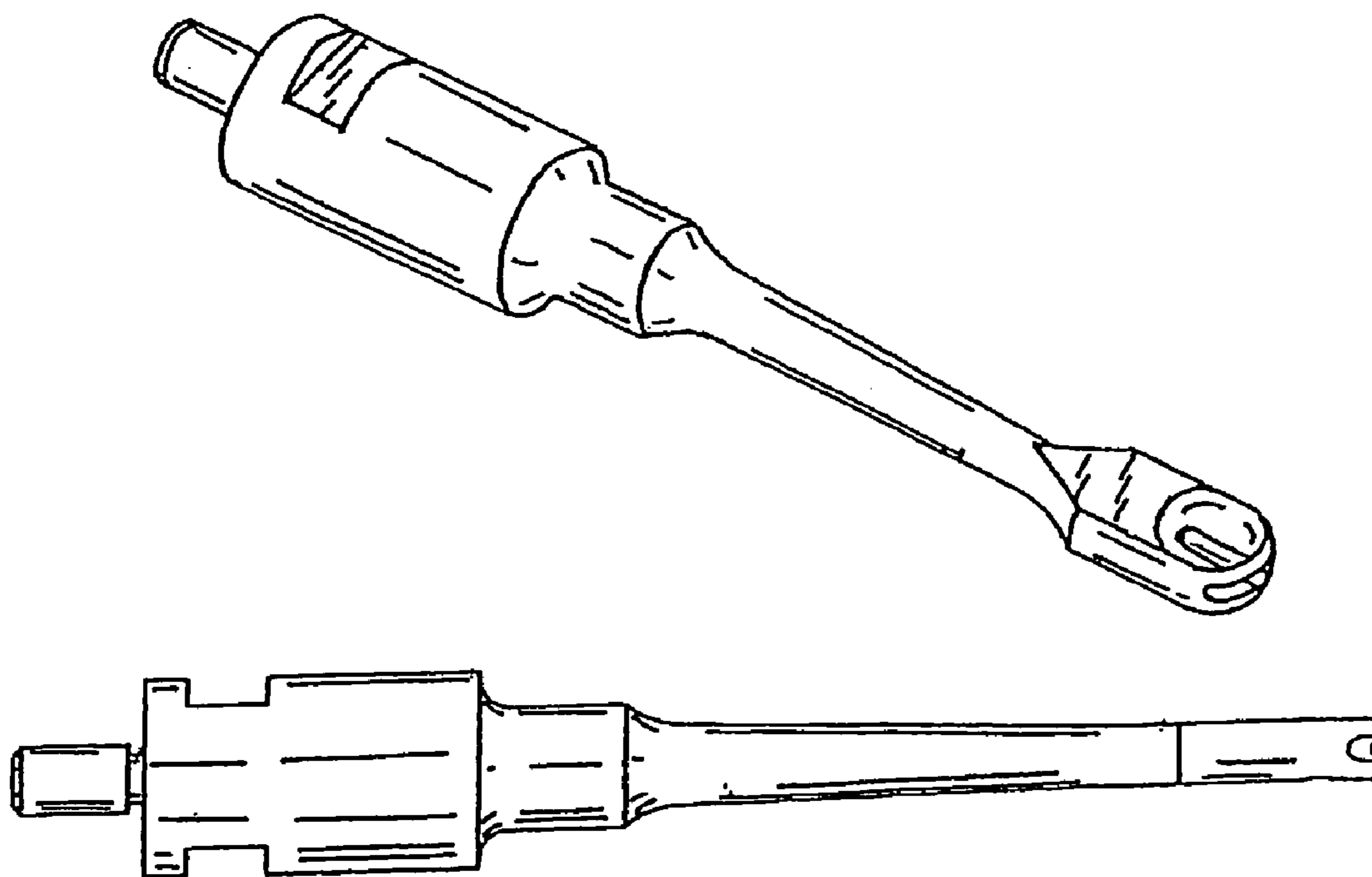
FIG. 7 is a longitudinal and axial cross-sectional view, taken perpendicular to the plane of the drawing in FIG. 4.

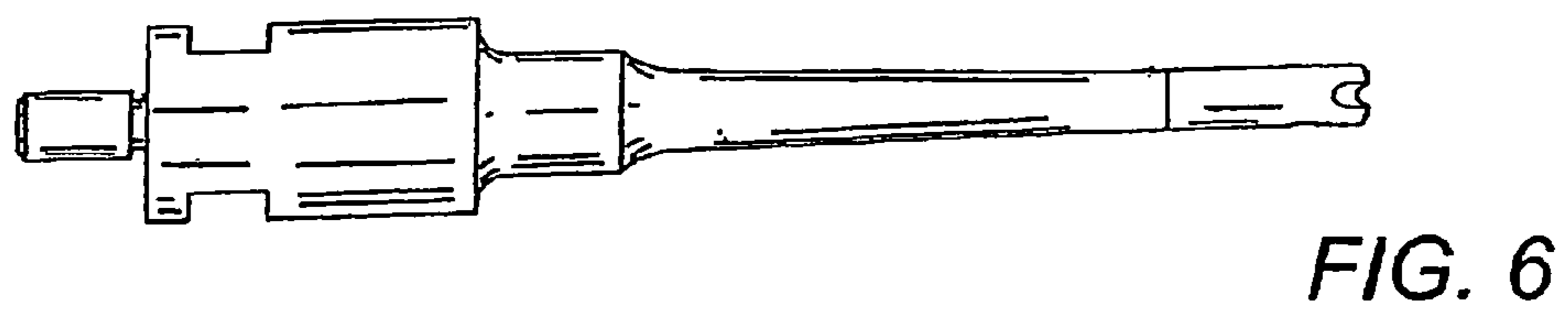
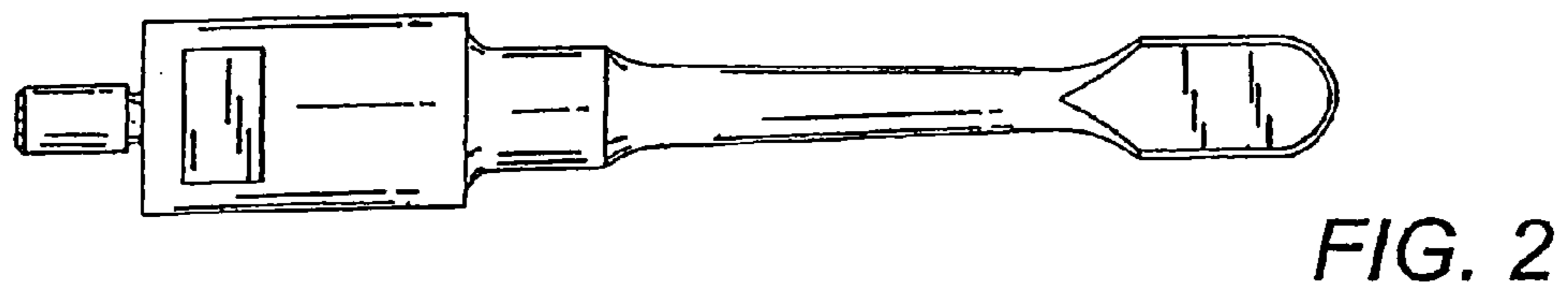
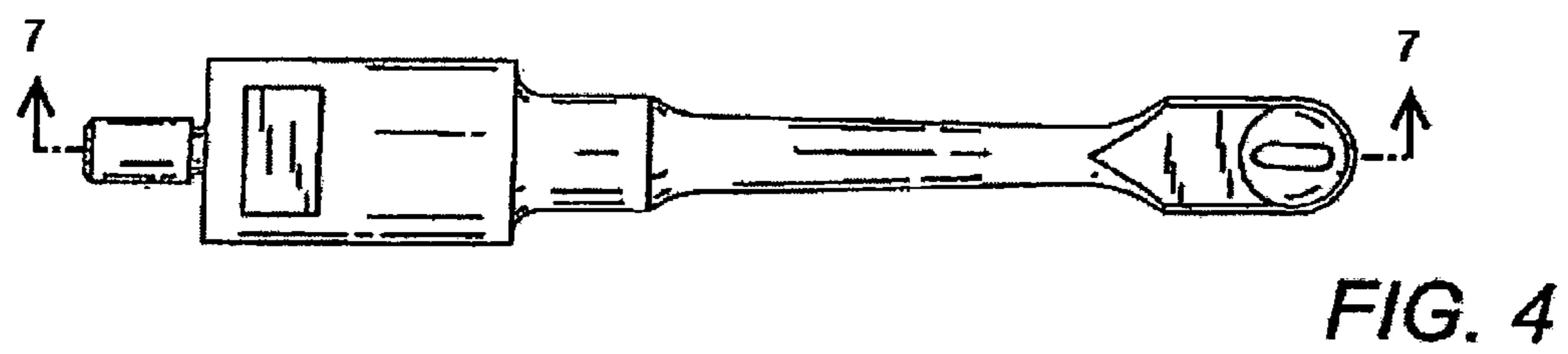
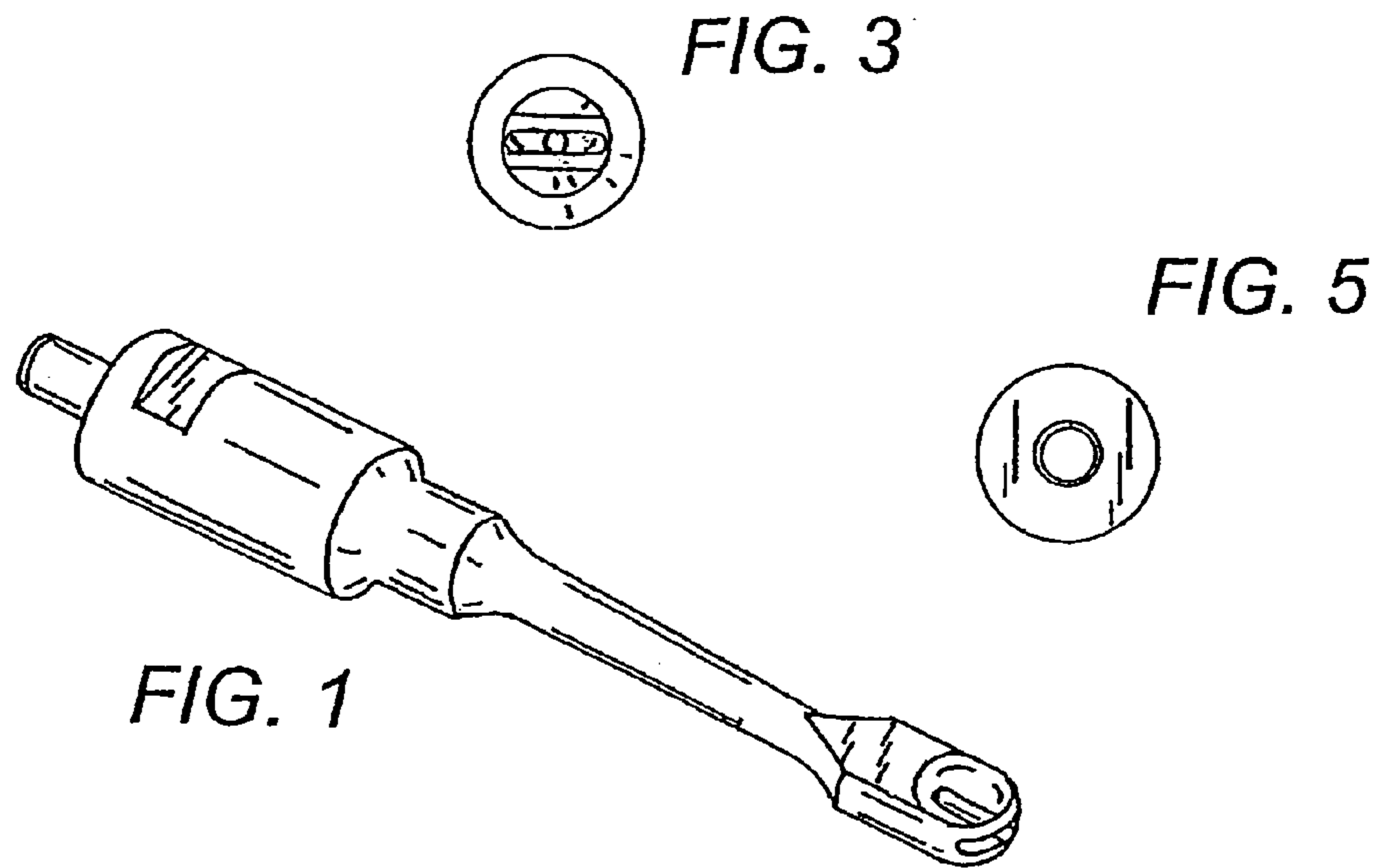
(56) **References Cited**

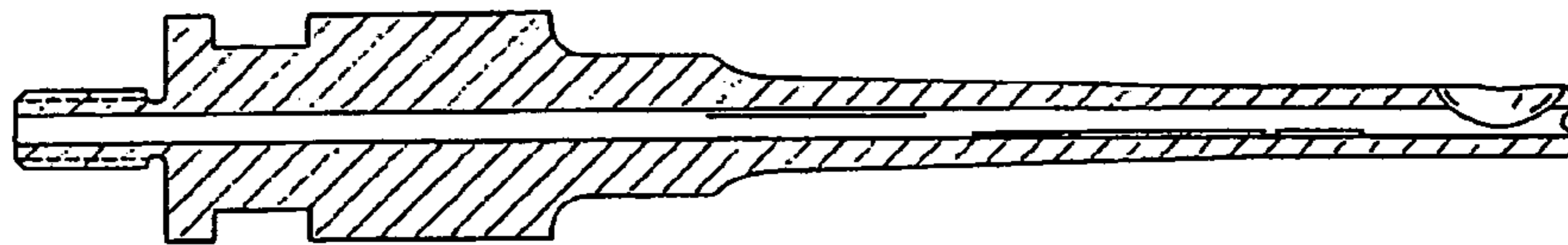
**U.S. PATENT DOCUMENTS**

5,479,929	A *	1/1996	Cooper et al. ....	600/459
6,916,296	B2 *	7/2005	Soring et al. ....	600/459
7,025,735	B2 *	4/2006	Soring et al. ....	600/459
2006/0235306	A1 *	10/2006	Cotter et al. ....	600/459
2006/0241470	A1 *	10/2006	Novak et al. ....	600/459
2008/0058585	A1 *	3/2008	Novak et al. ....	600/101
2008/0058775	A1 *	3/2008	Darian et al. ....	606/1

**1 Claim, 2 Drawing Sheets**







**FIG. 7**