

US00D627456S

(12) **United States Design Patent**  
**Glasbrenner**

(10) **Patent No.:** **US D627,456 S**

(45) **Date of Patent:** **\*\* Nov. 16, 2010**

(54) **CEILING FAN MOTOR HOUSING**

\* cited by examiner

(75) Inventor: **Brian Glasbrenner**, Smyrna, GA (US)

*Primary Examiner*—Lisa P Lichtenstein

(74) *Attorney, Agent, or Firm*—Ming Chow; Sinorica, LLC

(73) Assignee: **Landmark Enterprise Inc.**, Bandar Seri Begerman (BN)

(57) **CLAIM**

(\*\*) Term: **14 Years**

I claim the ornamental design for a ceiling fan motor housing, as shown and described.

(21) Appl. No.: **29/358,406**

**DESCRIPTION**

(22) Filed: **Mar. 26, 2010**

(51) **LOC (9) Cl.** ..... **23-04**

FIG. 1 is a front perspective view of a ceiling fan motor housing showing my new design;

(52) **U.S. Cl.** ..... **D23/411**

FIG. 2 is a front elevational view thereof;

(58) **Field of Classification Search** ..... D23/377,  
D23/379, 385, 411, 413; 416/5; D26/59,  
D26/72, 81–86, 88, 51

FIG. 3 is a rear elevational view thereof.

FIG. 4 is a left side elevational view thereof;

See application file for complete search history.

FIG. 5 is a right side elevational view thereof;

FIG. 6 is a top plan view thereof; and,

FIG. 7 is a bottom plan view thereof.

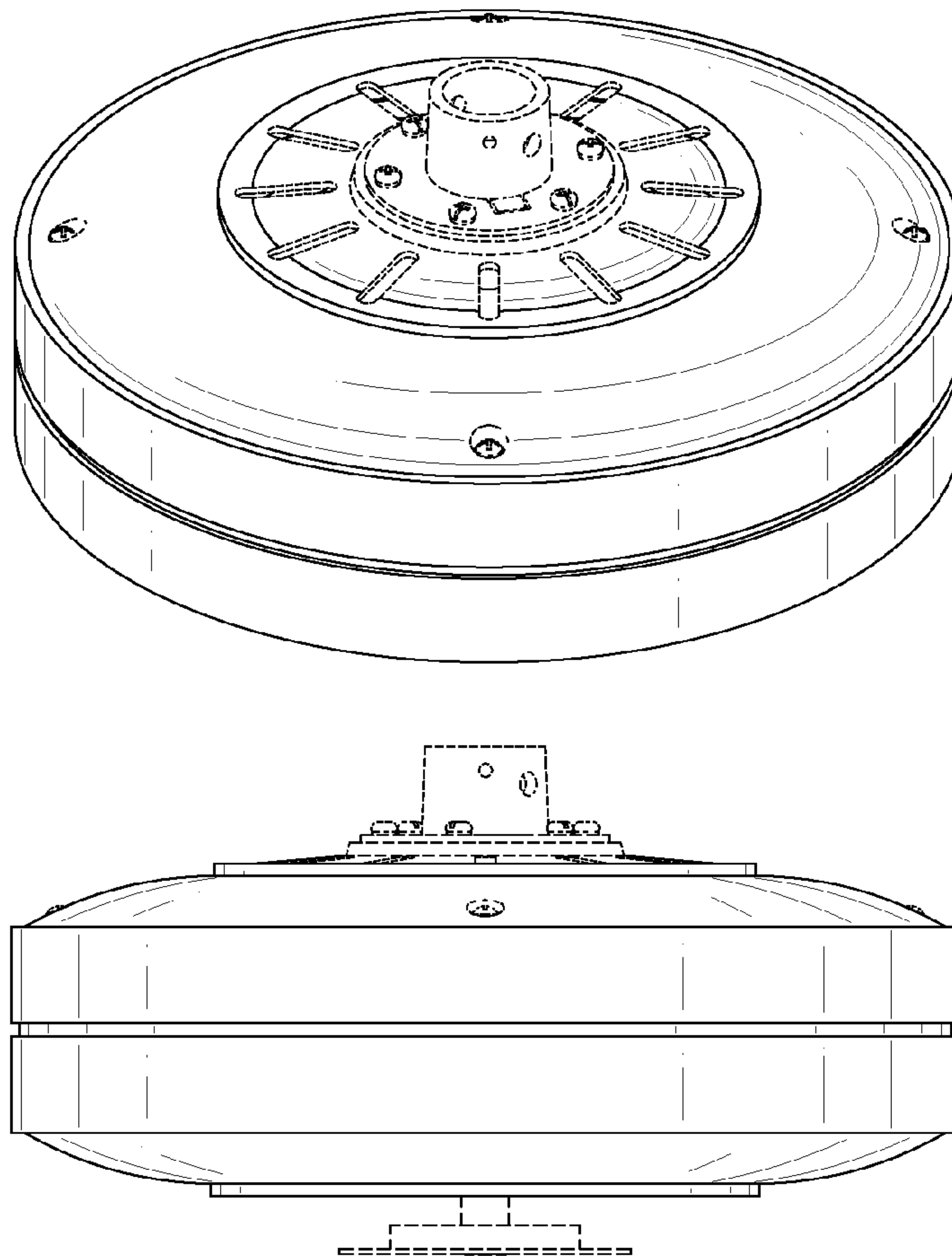
(56) **References Cited**

The broken lines are for the purpose of illustrating environmental structure and form no part of the claimed design.

**U.S. PATENT DOCUMENTS**

D325,776 S *	4/1992	Scofield et al.	.....	D23/377
D529,602 S *	10/2006	Glasbrenner	.....	D23/411
D562,967 S *	2/2008	Pickett	.....	D23/411

**1 Claim, 5 Drawing Sheets**



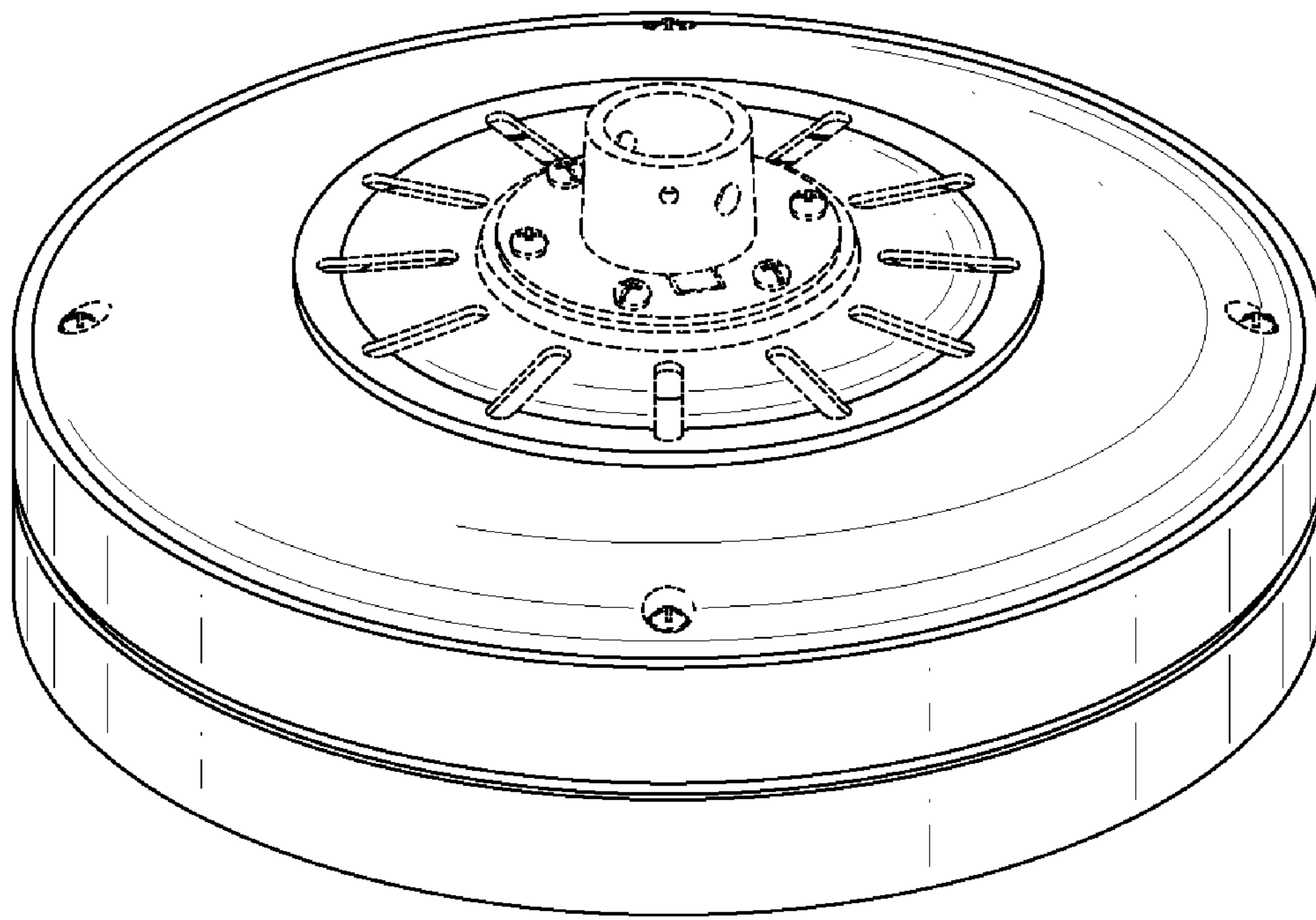


FIG. 1

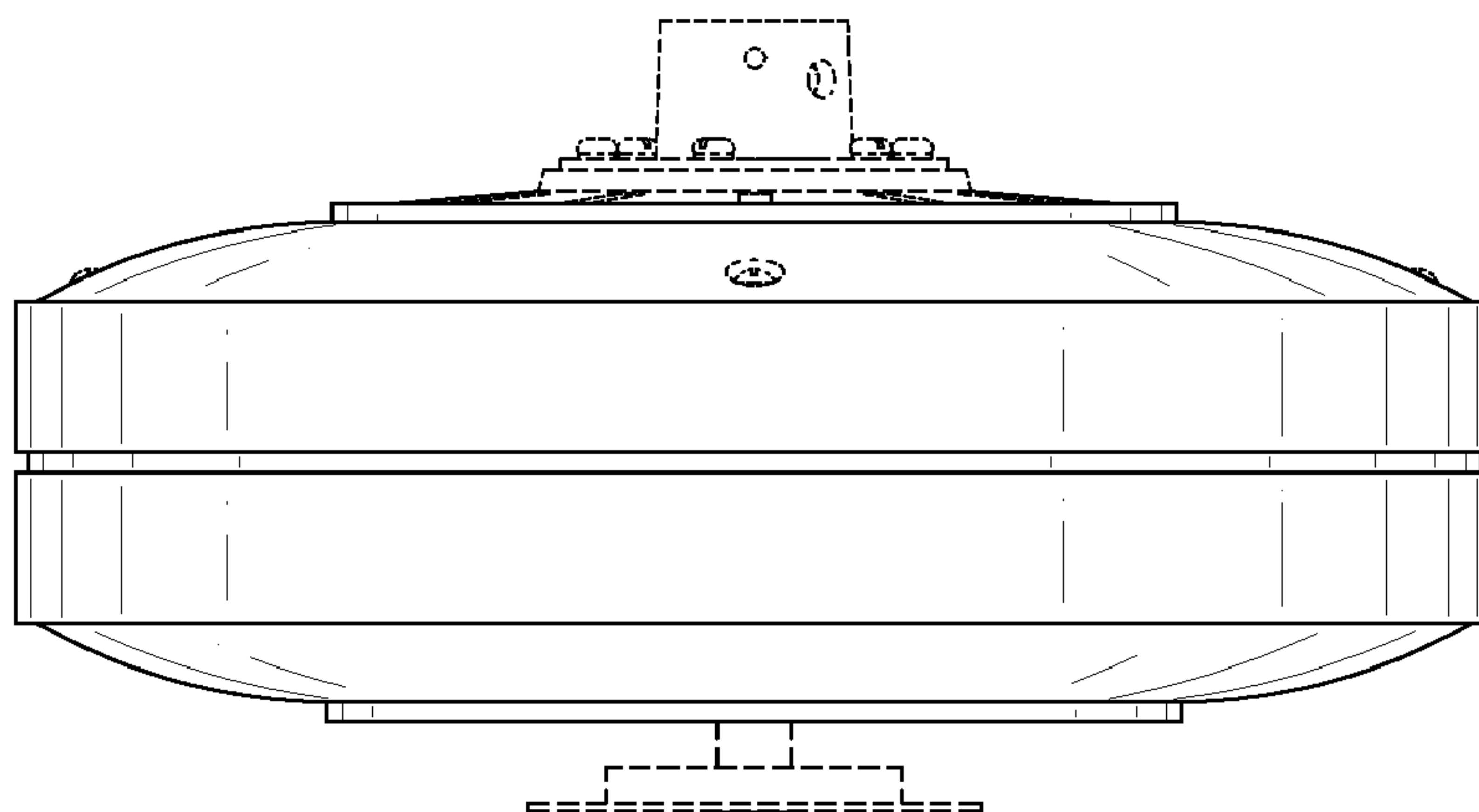


FIG. 2

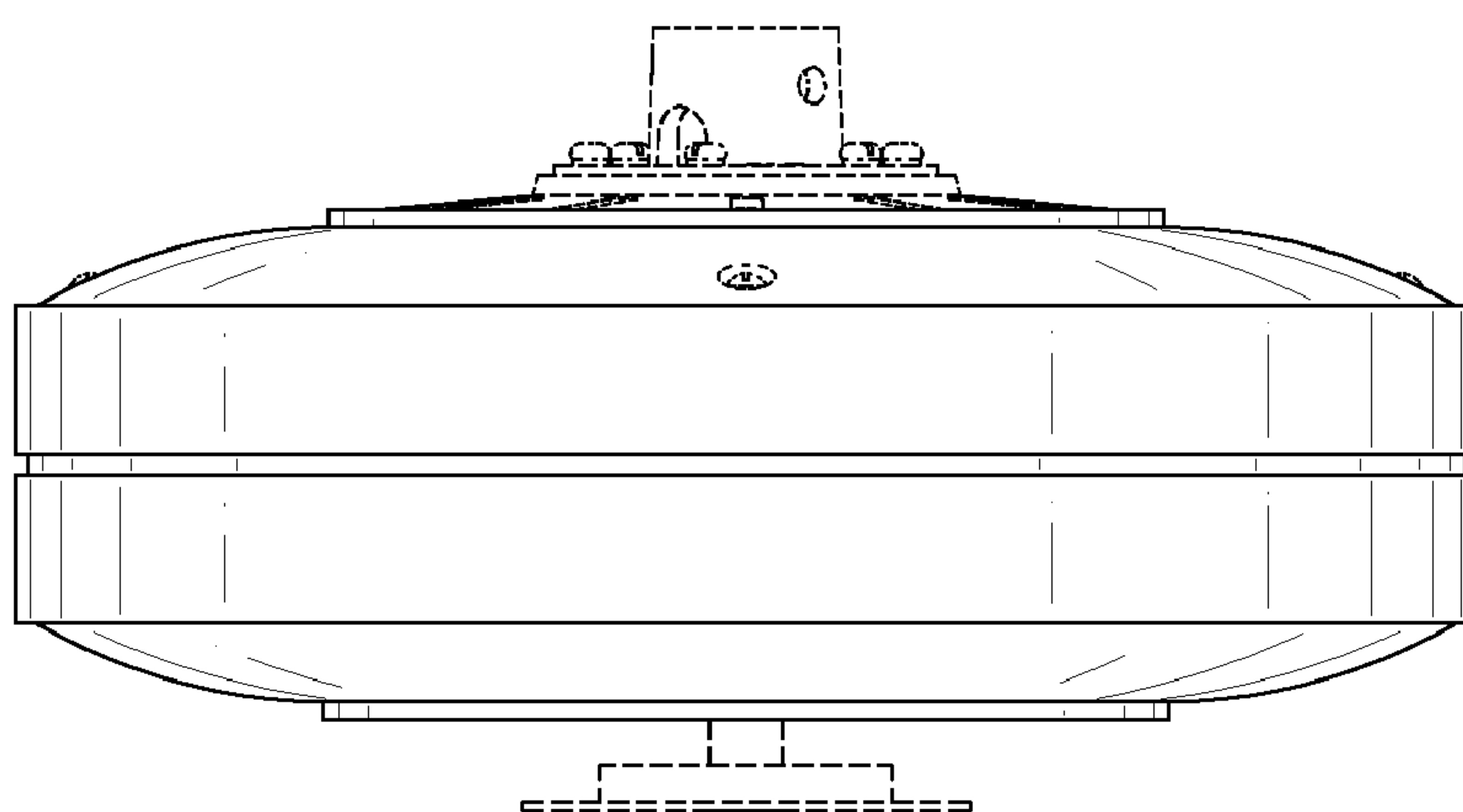


FIG. 3

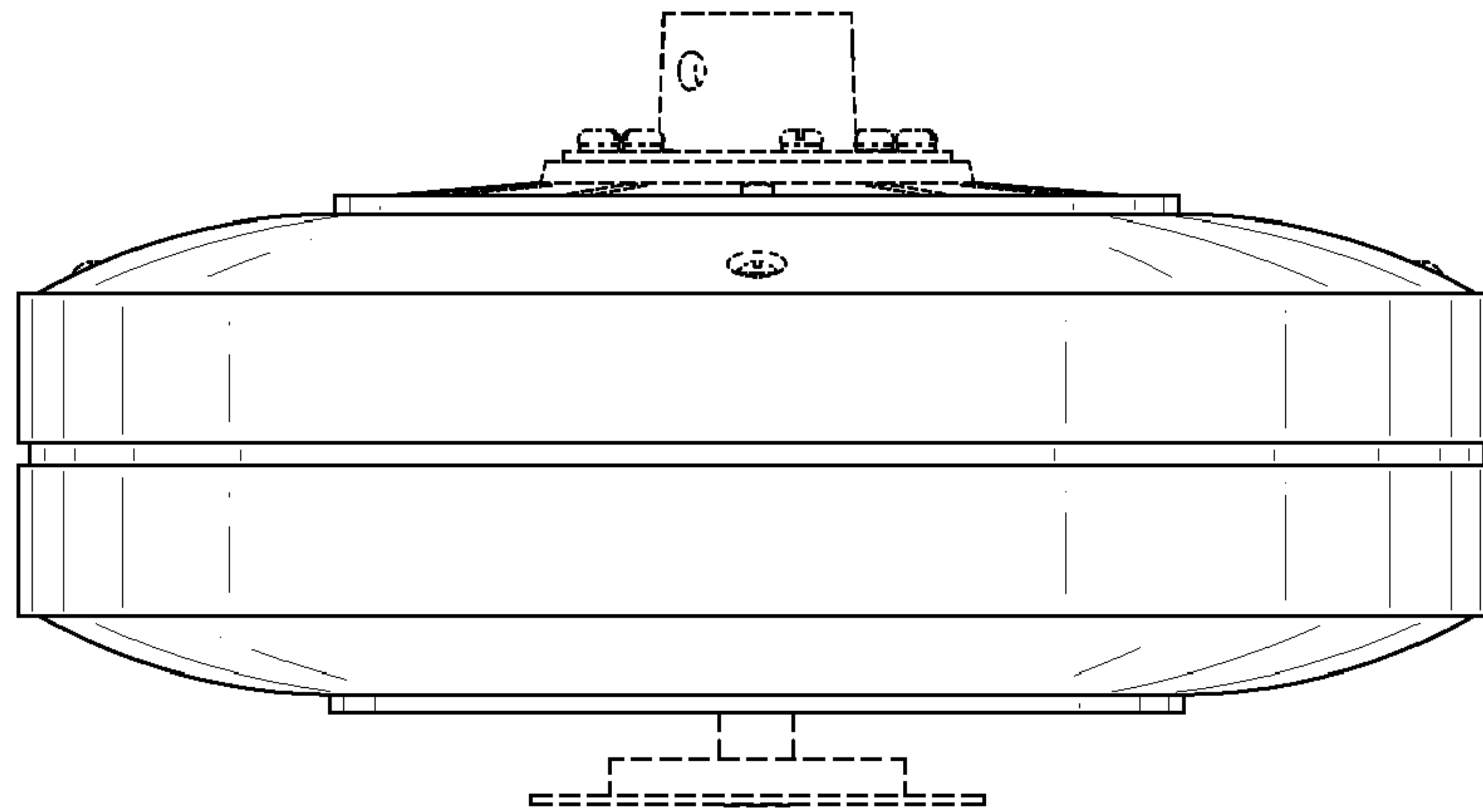


FIG. 4

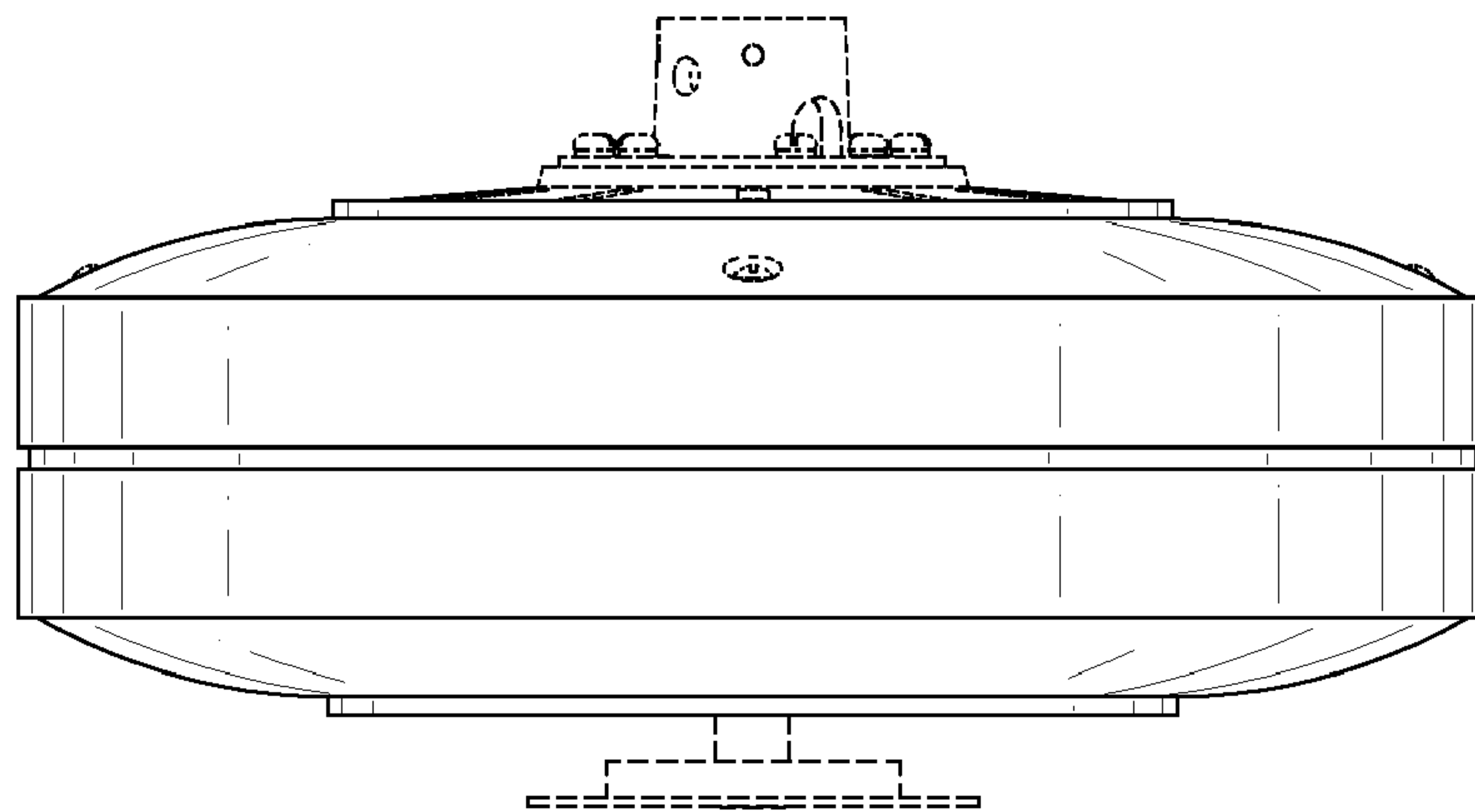


FIG. 5

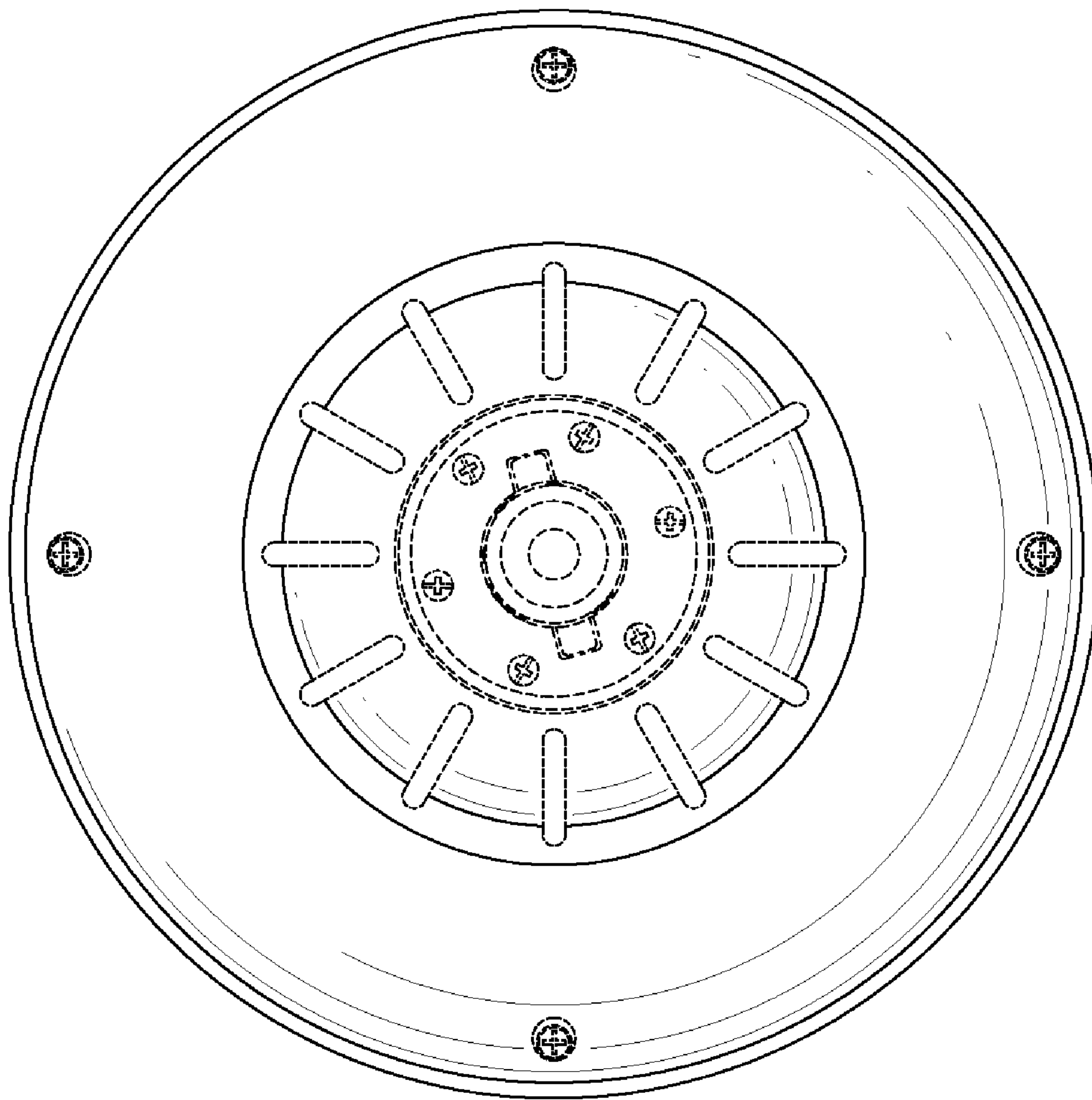


FIG. 6

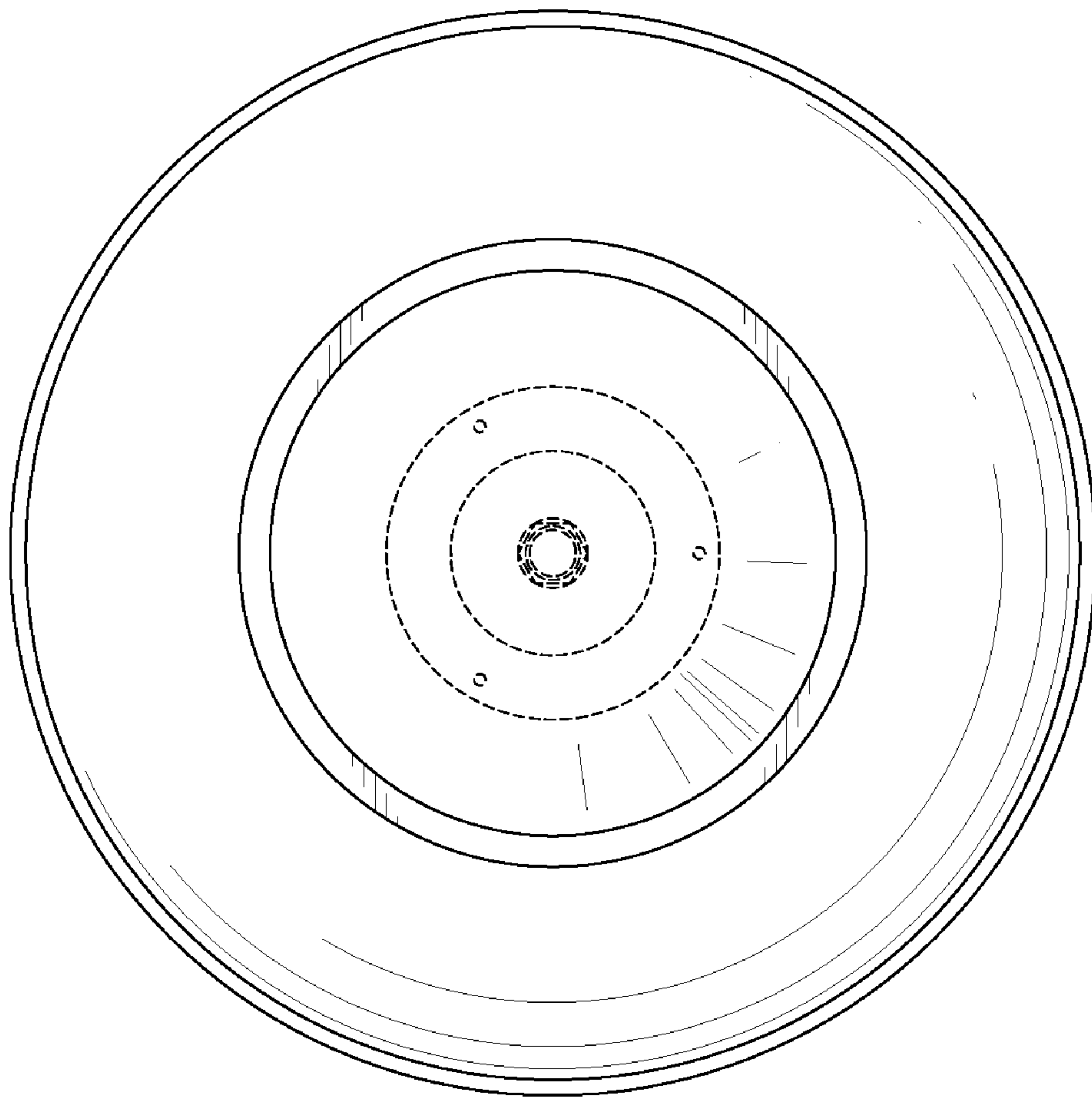


FIG. 7