



US00D627454S

(12) **United States Design Patent**  
**Pan**

(10) **Patent No.:** **US D627,454 S**

(45) **Date of Patent:** **\*\* Nov. 16, 2010**

(54) **CEILING FAN LIGHT KIT**

(75) Inventor: **Peter Pan**, Shetzu (TW)

(73) Assignee: **Air Cool Industrial Co., Ltd.**, Taichung County (TW)

(\*\*) Term: **14 Years**

(21) Appl. No.: **29/364,593**

(22) Filed: **Jun. 25, 2010**

(51) **LOC (9) Cl.** ..... **23-04**

(52) **U.S. Cl.** ..... **D23/377; D26/59**

(58) **Field of Classification Search** ..... D23/377,  
D23/379, 385, 411; 416/5; D26/59, 51,  
D26/80-85, 726

See application file for complete search history.

(56) **References Cited**

**U.S. PATENT DOCUMENTS**

D352,797 S \* 11/1994 Mehaffey ..... D26/85

D402,382 S \* 12/1998 Pearce et al. .... D26/85

D555,270 S \* 11/2007 Ertze ..... D26/59

\* cited by examiner

*Primary Examiner*—Lisa P Lichtenstein

(74) *Attorney, Agent, or Firm*—Ming Chow; Sinorica, LLC

(57) **CLAIM**

I claim the ornamental design for a ceiling fan light kit, as shown and described.

**DESCRIPTION**

FIG. 1 is a front perspective view of a ceiling fan light kit showing my new design;

FIG. 2 is a front elevational view thereof;

FIG. 3 is a rear elevational view thereof.

FIG. 4 is a left side elevational view thereof;

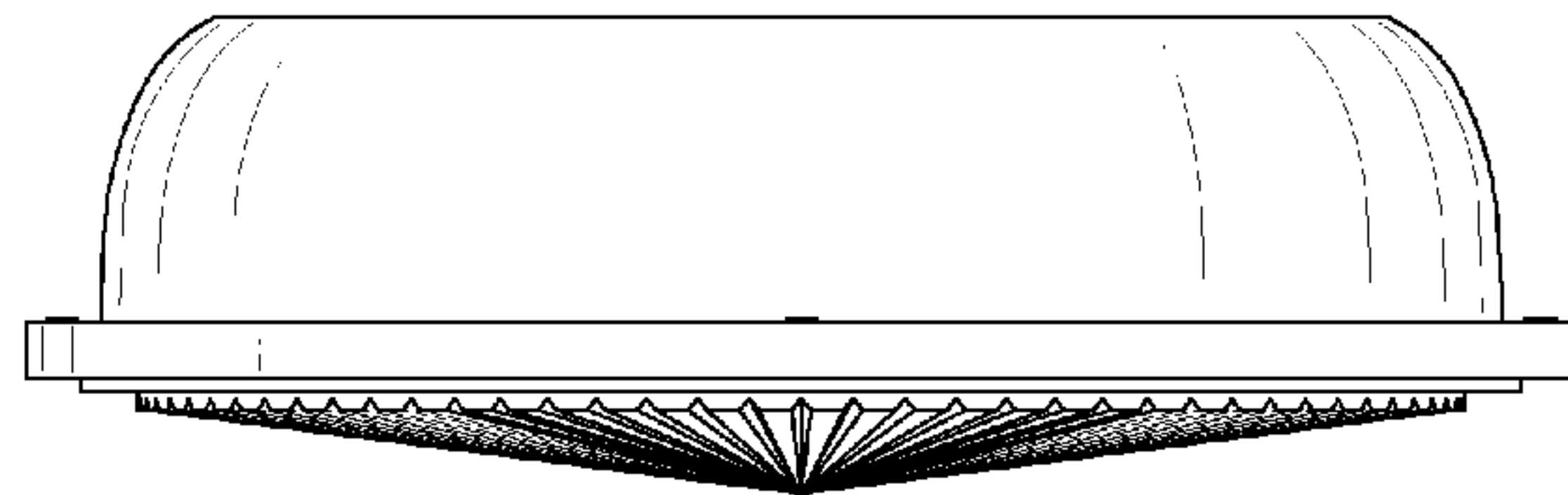
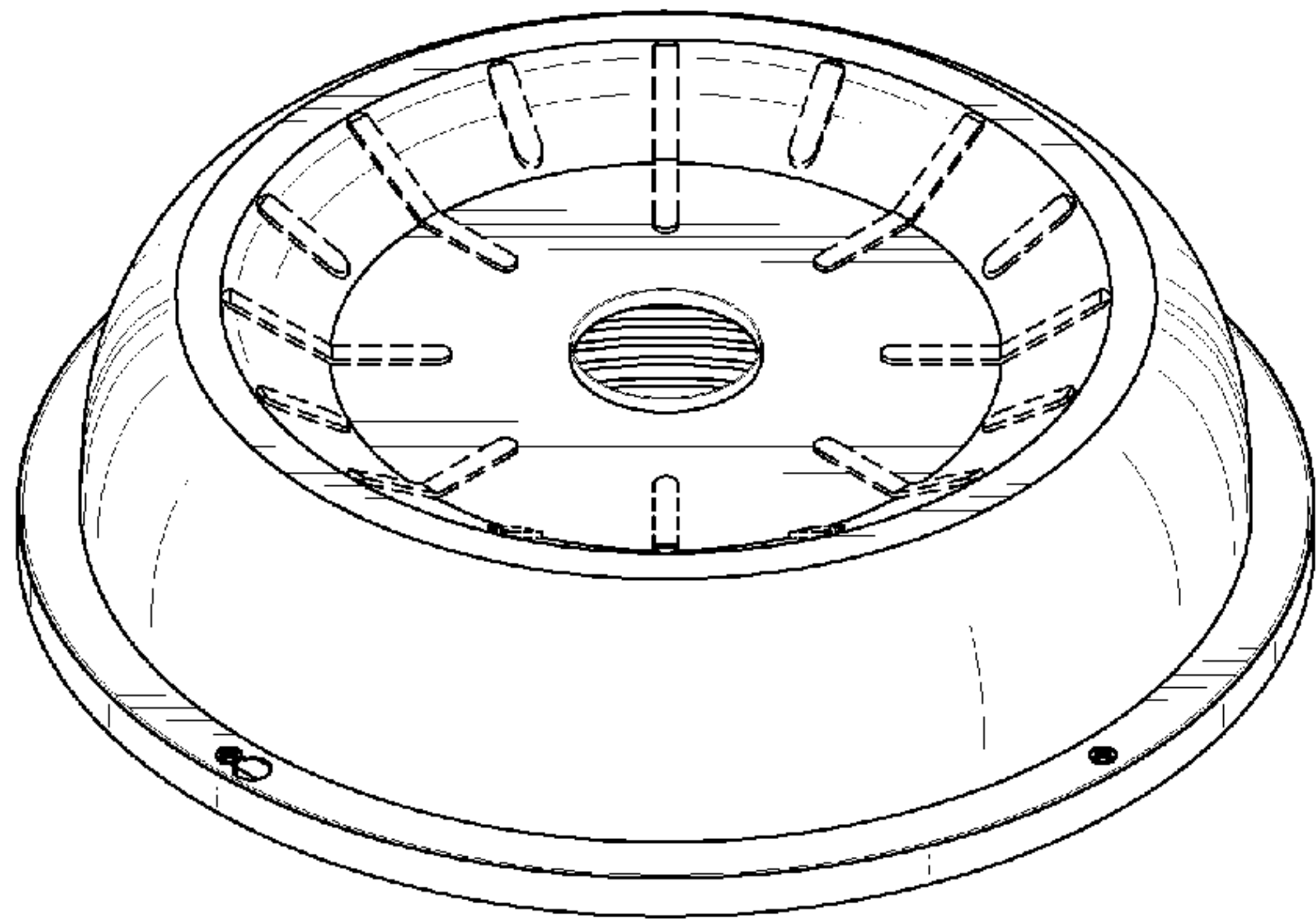
FIG. 5 is a right side elevational view thereof;

FIG. 6 is a top plan view thereof; and,

FIG. 7 is a bottom plan view thereof.

The broken line showing of portions of a ceiling fan light kit is included for the purpose of illustrating environmental structure and forms no part of the claimed design.

**1 Claim, 5 Drawing Sheets**



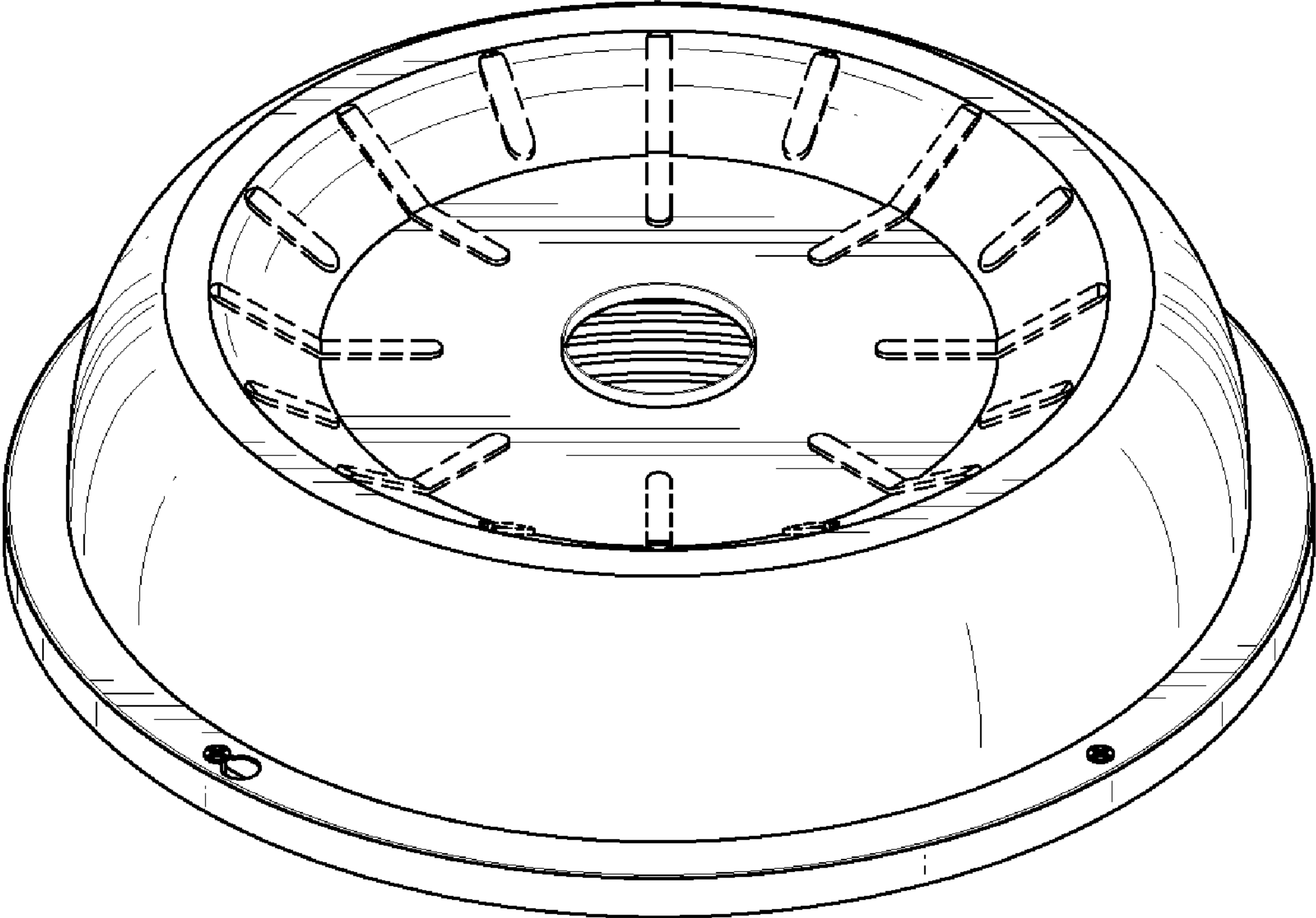


FIG. 1

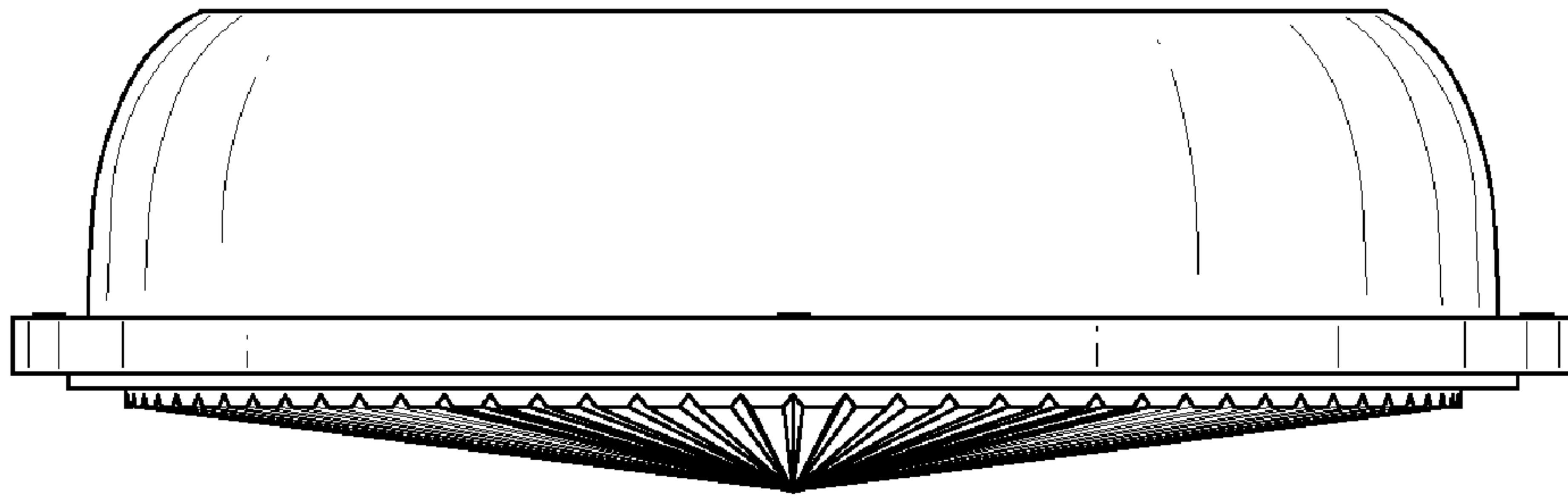


FIG. 2

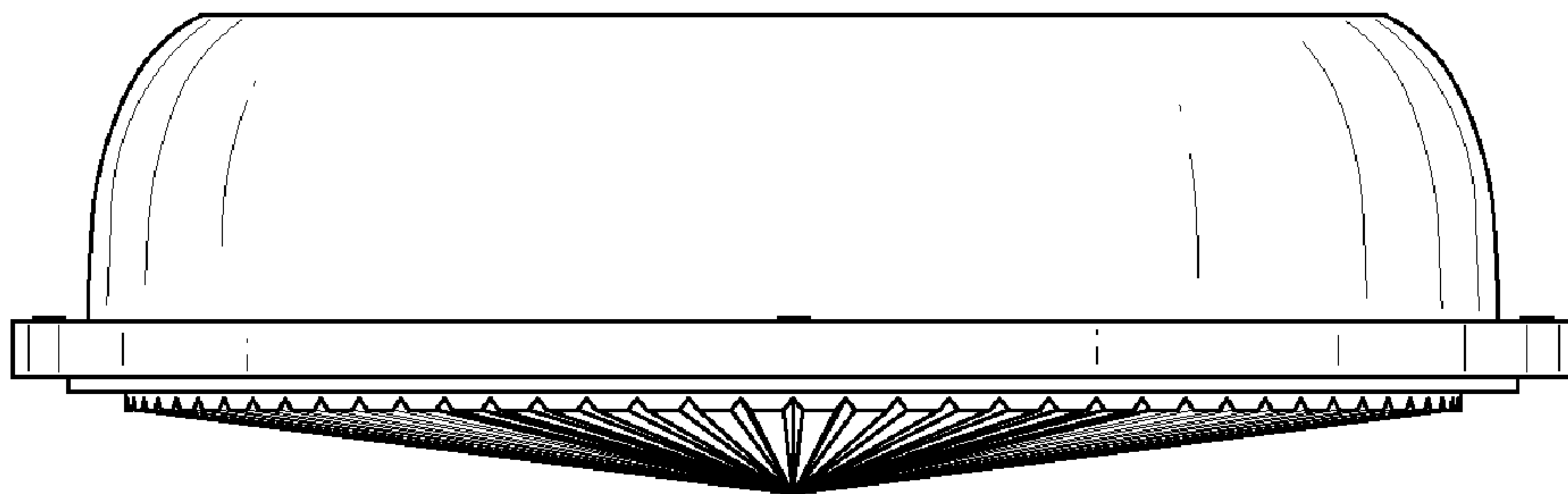


FIG. 3

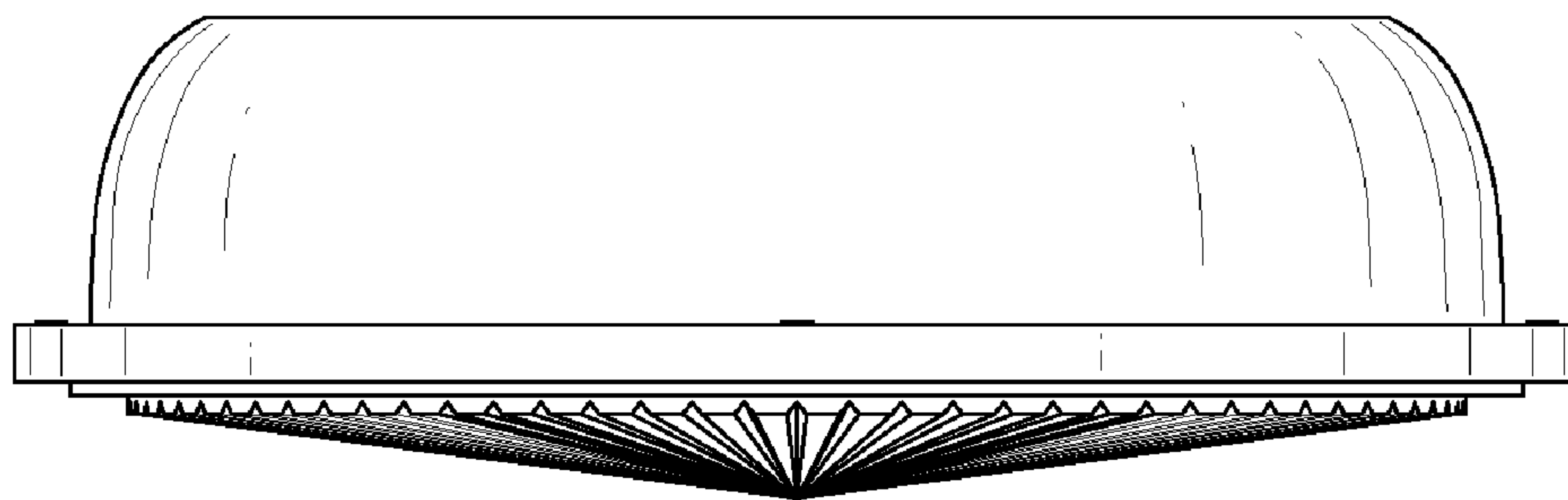


FIG. 4

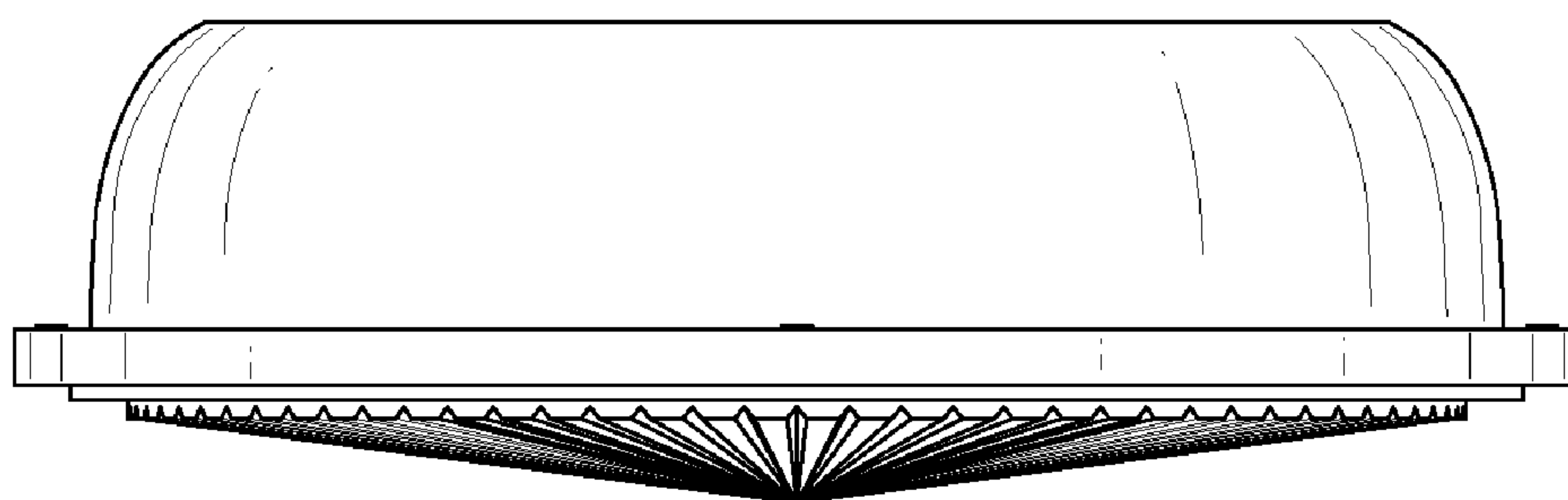


FIG. 5

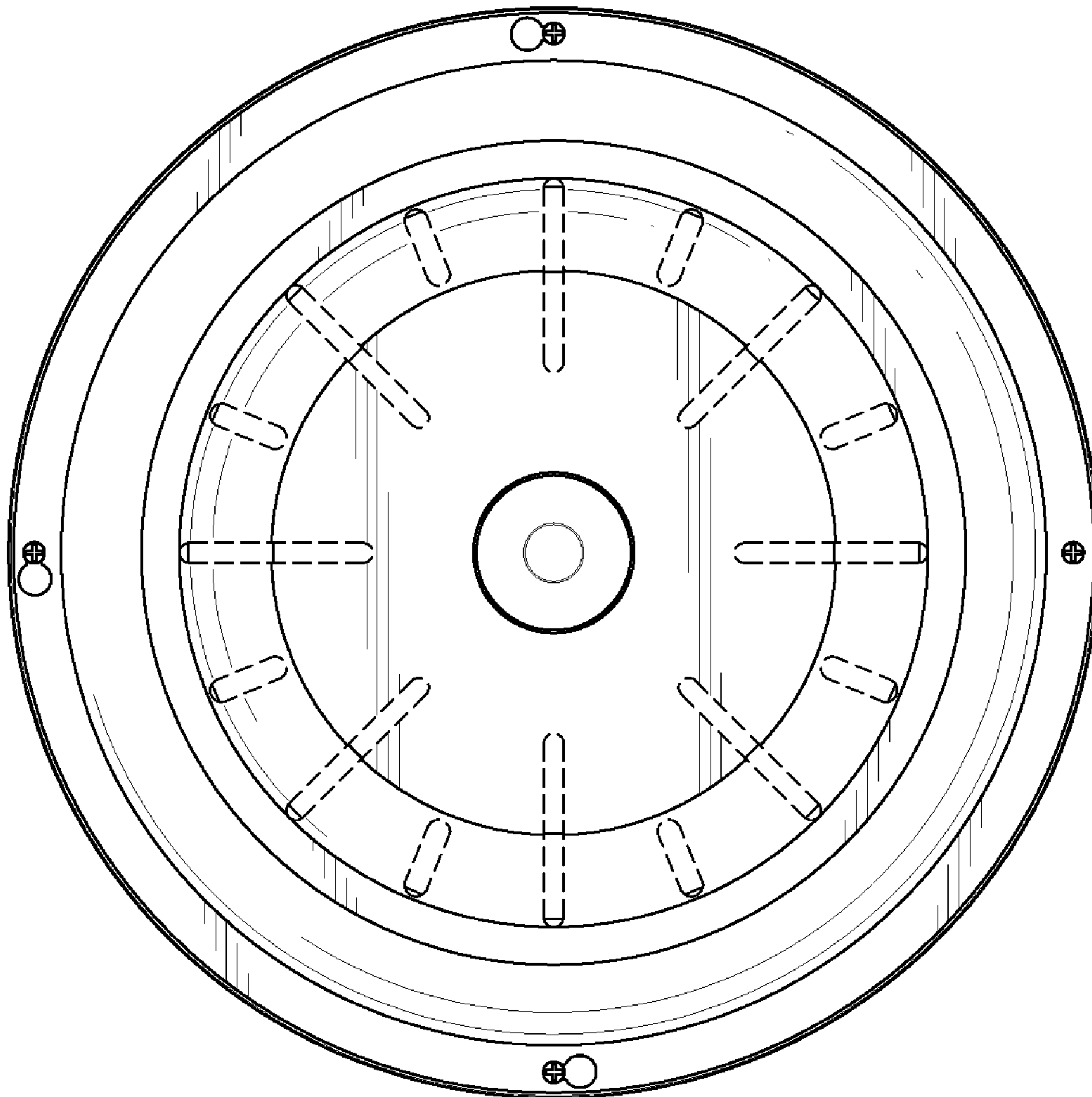


FIG. 6



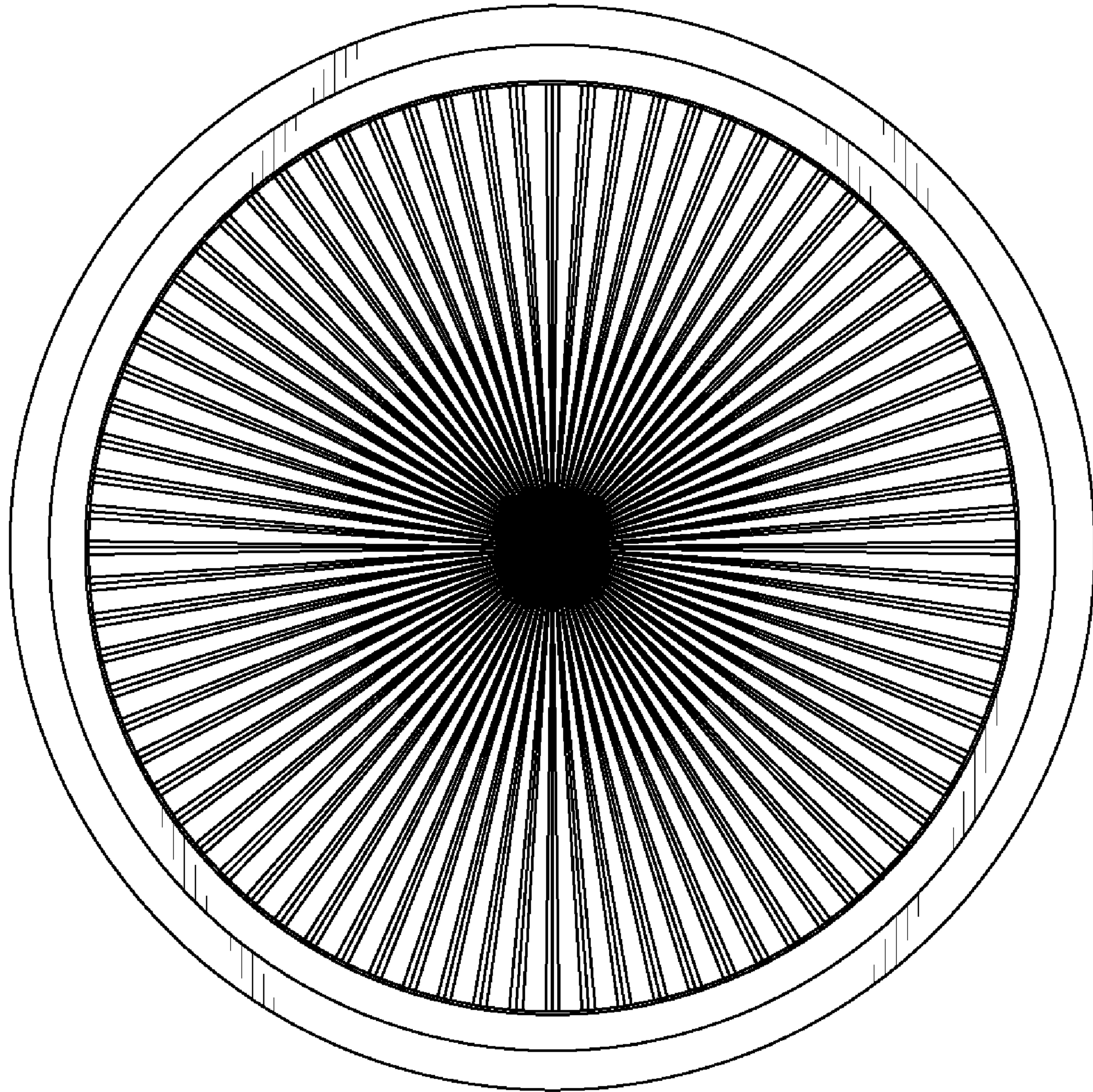


FIG. 7