



US00D627449S

(12) **United States Design Patent**
Eckhaus

(10) **Patent No.:** **US D627,449 S**

(45) **Date of Patent:** **** Nov. 16, 2010**

(54) **REVERSIBLE SINK FACADE**

2005/0223486 A1 10/2005 Jumalon 4/619

(76) Inventor: **Efraim Eckhaus**, 771 Tummel La., West Haven, CT (US) 06516

FOREIGN PATENT DOCUMENTS

(**) Term: **14 Years**

GB	199302	6/1923
GB	810492	3/1959
JP	2002-186530	7/2002
JP	2002-219062	8/2002
JP	2003-180464	7/2003
JP	2008-272129	11/2008

(21) Appl. No.: **29/314,536**

(22) Filed: **Apr. 8, 2009**

OTHER PUBLICATIONS

(51) **LOC (9) Cl.** **23-01**

(52) **U.S. Cl.** **D23/308**

(58) **Field of Classification Search** D23/270-274,
D23/284, 285, 291, 293.1, 303, 308; 4/619,
4/638, 650, 661; D25/136, 118

Whitehaus Collection, "Kitchen Products", Spring 1999.
Whitehaus Collection, *Kitchen Products*, Suggested List Price Book,
Spring 1999, pp. 15-16.
Architectural Digest, Larry King in Beverly Hills, Oct. 2002.

See application file for complete search history.

(Continued)

(56) **References Cited**

U.S. PATENT DOCUMENTS

Primary Examiner—Robert A Delehanty
(74) *Attorney, Agent, or Firm*—Wiggin and Dana LLP;
Gregory S. Rosenblatt; Wanli Wu

D10,040 S	6/1877	Merrill et al.	D25/136
261,938 A	8/1882	Maxwell et al.	D25/136
D22,122 S	1/1893	Moore	D23/285
D32,857 S *	6/1900	Peet	D23/308
D82,348 S	10/1930	Sakier	D23/308
2,146,939 A	10/1936	Coordes	4/630
2,334,293 A	11/1943	Stein	4/642
D197,879 S	4/1964	Korol	D23/293.1
4,305,166 A	12/1981	Rose	4/631
D424,665 S	5/2000	Svendsen	D23/285
D427,670 S	7/2000	Svendsen et al.	D23/290
6,108,832 A *	8/2000	McIntire	4/646
6,154,895 A	12/2000	Pisklak	4/660
D442,037 S	5/2001	Wong	D7/698
D497,662 S	10/2004	Gross et al.	D23/284
D603,946 S	11/2009	Eckhaus	D23/308
D620,091 S	7/2010	Eckhaus	D23/308
D620,092 S	7/2010	Eckhaus	D23/308
D620,093 S	7/2010	Eckhaus	D23/308

(57) **CLAIM**

The ornamental design for a reversible sink façade, as shown and described.

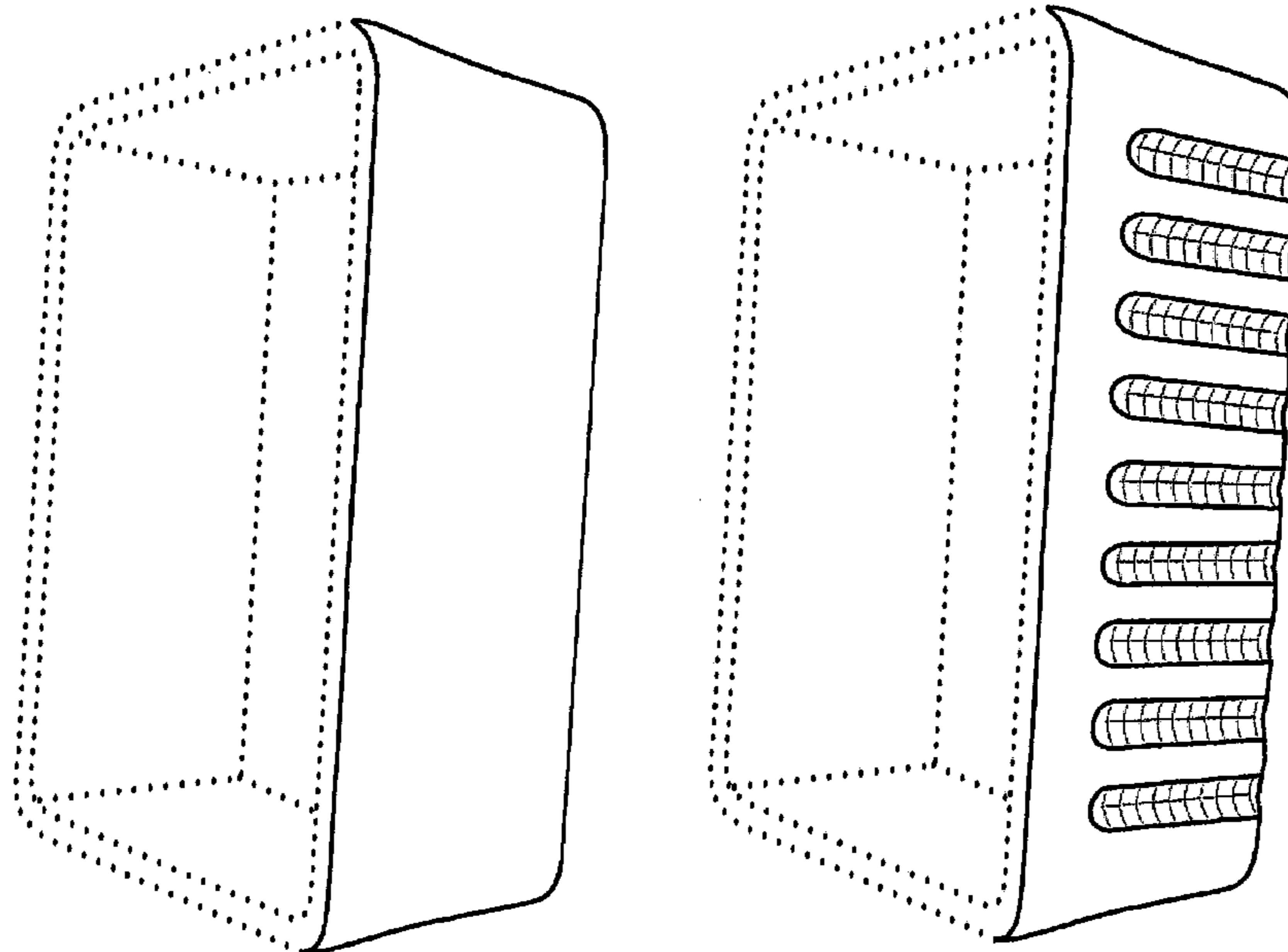
DESCRIPTION

FIG. 1 is a front view of a sink showing a façade design at the front of the sink; and,

FIG. 2 is a back view of a sink showing a façade design at the back of the sink.

The broken line portions of the sink are for illustrative purposes only and form no part of the claimed invention.

1 Claim, 2 Drawing Sheets



OTHER PUBLICATIONS

Westbrass Perce SOL25SB-WH Solidstone 25" Farmhouse Apron sink, available from Main Faucet, 2010.

Oxford Single Bowl Apron Farmhouse Front / Undermount Reversible Quartz Kitchen Sink 30", Mitrani USA Sinks & Faucets, available from Faucet Town USA, Dec. 2008.

Mitrani Bristol Single Large Bowl TQ30SB-WH, Mitrani USA Sinks & Faucets, available from Home & Stone, downloaded Aug. 2010.

Moda Fireclay Sink 730, available from American Home plus, 2006.

French Farmhouse Sink, available from Belfast Sinks, downloaded Aug. 2010.

Whitehaus WHQ330 30" Quatro Alcove Reversible Single Basin Fireclay Fluted Front Apron, available from Faucet Direct, 2009.

Rohl RC4018 Shaws Original Fireclay Sink with Casement Edge front Sinks, available from eFaucets, 2010.

Westbrass Ayers 30" Single Bowl—Solid Surface—Farmhouse Sink, available from Décor Island, 2007.

Salon Interior, Jan. 2005.

* cited by examiner

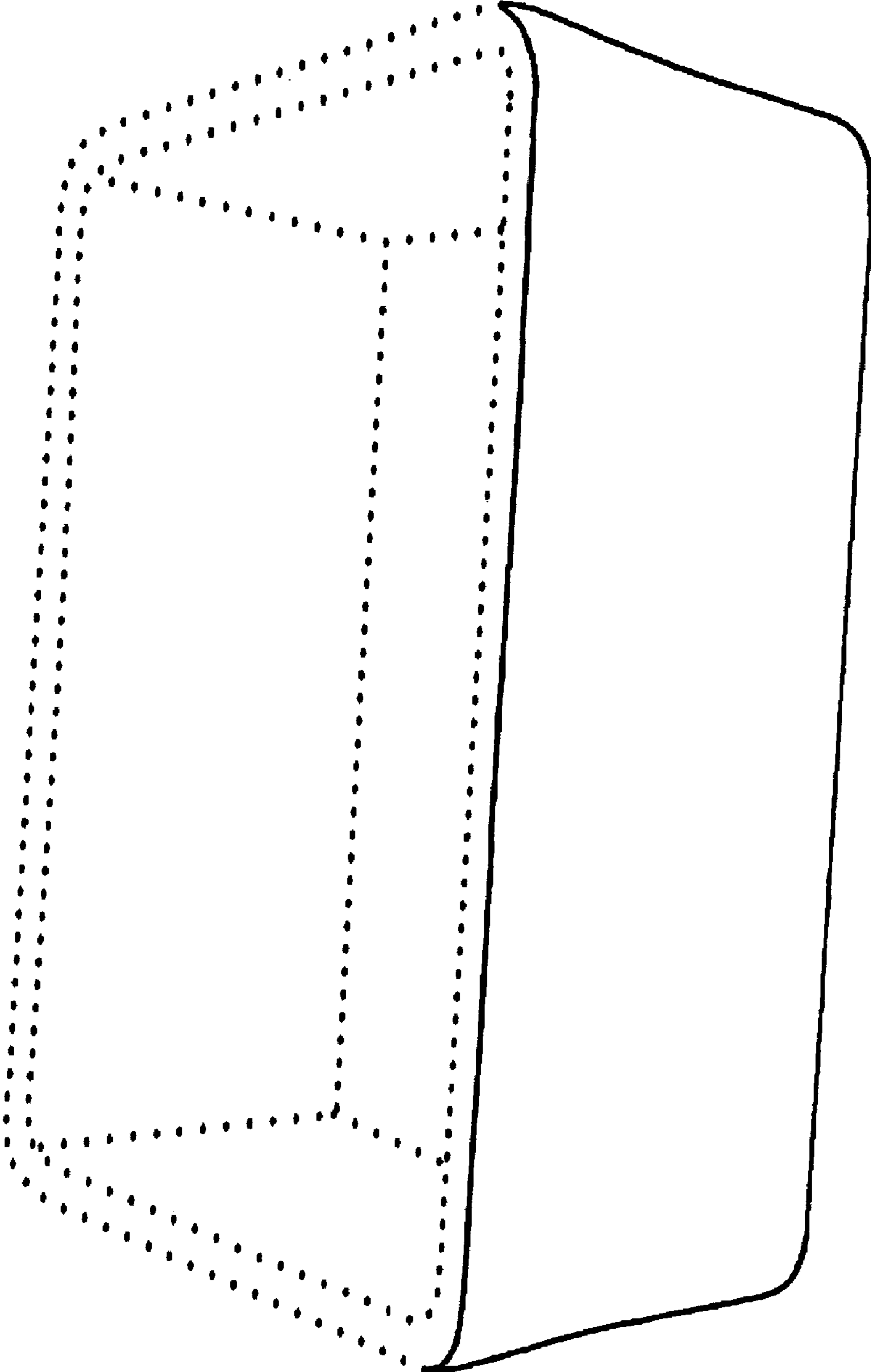


FIG. 1

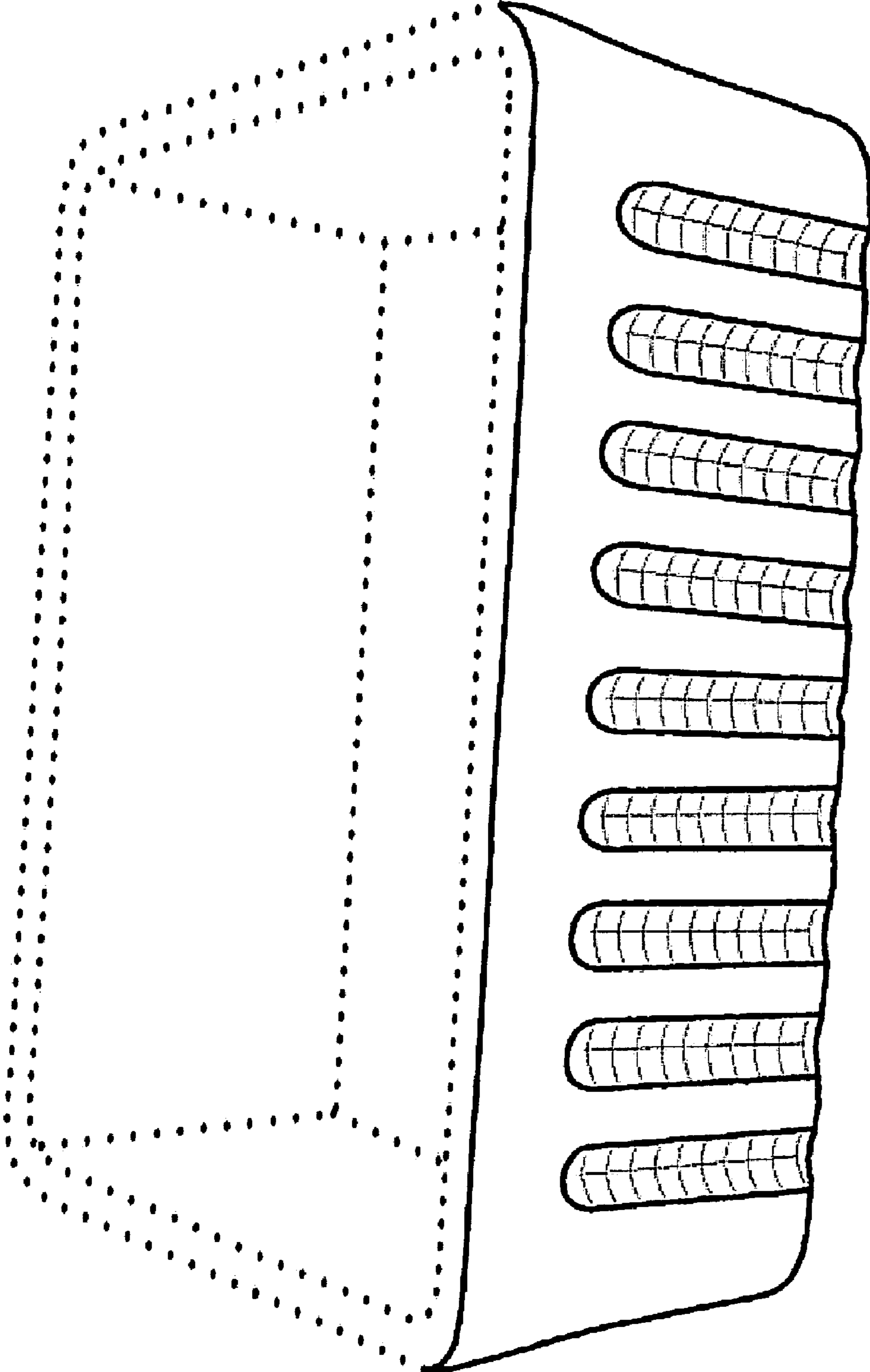


FIG. 2