

US00D627448S

(12) **United States Design Patent**  
**Kehrer et al.**

(10) **Patent No.:** **US D627,448 S**

(45) **Date of Patent:** **\*\* Nov. 16, 2010**

(54) **SINK**

(75) Inventors: **Joachim Kehrer**, Bretten-Bauerbach (DE); **Katherina Pafralidou**, Heilbronn (DE)

(73) Assignee: **Blanco GmbH + Co KG**, Oberderdingen (DE)

(\*\*) Term: **14 Years**

(21) Appl. No.: **29/334,720**

(22) Filed: **Mar. 31, 2009**

(51) **LOC (9) Cl.** ..... **23-01**

(52) **U.S. Cl.** ..... **D23/290**

(58) **Field of Classification Search** ..... D23/290,  
D23/308; 4/639

See application file for complete search history.

(56) **References Cited**

**U.S. PATENT DOCUMENTS**

D547,835 S \* 7/2007 Ziemann ..... D23/290  
D551,743 S \* 9/2007 Ziemann ..... D23/290  
D586,890 S \* 2/2009 Ziemann et al. .... D23/290

**OTHER PUBLICATIONS**

Julien, Inc., Home Refinements Specification, dated 2006, Front and Rear Covers and pp. 1-49 (53 pages total). In particular, the Vintage

Collection of Undermount Sinks shown on pp. 24-26. Blanco, Manufacturer's Suggested Price List, listing for Blanco Diamond undermount sinks, 2002, front cover, pp. 58-59, and one additional sheet (4 pages total).

Julien Inc., Vintage Collection Undermount Sinks, Undated, Literature, pp. 32-36 (5 pages total).

Blanco, Black Diamond Product Literature, Undated, pp. 29-41 (3 pages).

\* cited by examiner

*Primary Examiner*—Robert A Delehanty

(74) *Attorney, Agent, or Firm*—Hanley, Flight & Zimmerman, LLC.

(57) **CLAIM**

The ornamental design for a “sink,” as shown and described.

**DESCRIPTION**

FIG. 1 is a perspective view of the sink from above;

FIG. 2 is a top plan view of the sink;

FIG. 3 is a bottom plan view of the sink;

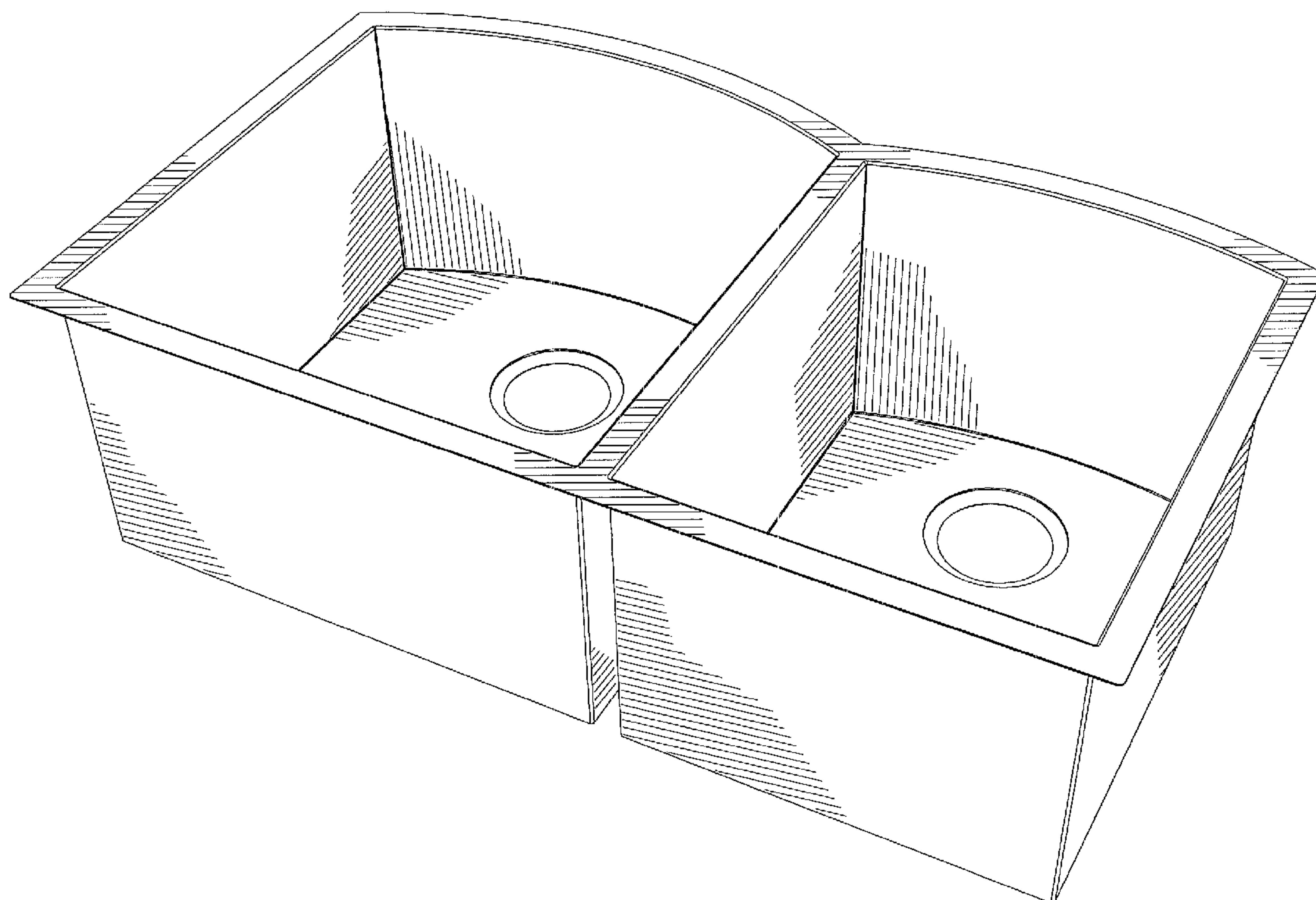
FIG. 4 is a front view of the sink;

FIG. 5 is a rear view of the sink;

FIG. 6 is a side view of the sink from the right side; and,

FIG. 7 is a side view of the sink from the left side.

**1 Claim, 7 Drawing Sheets**



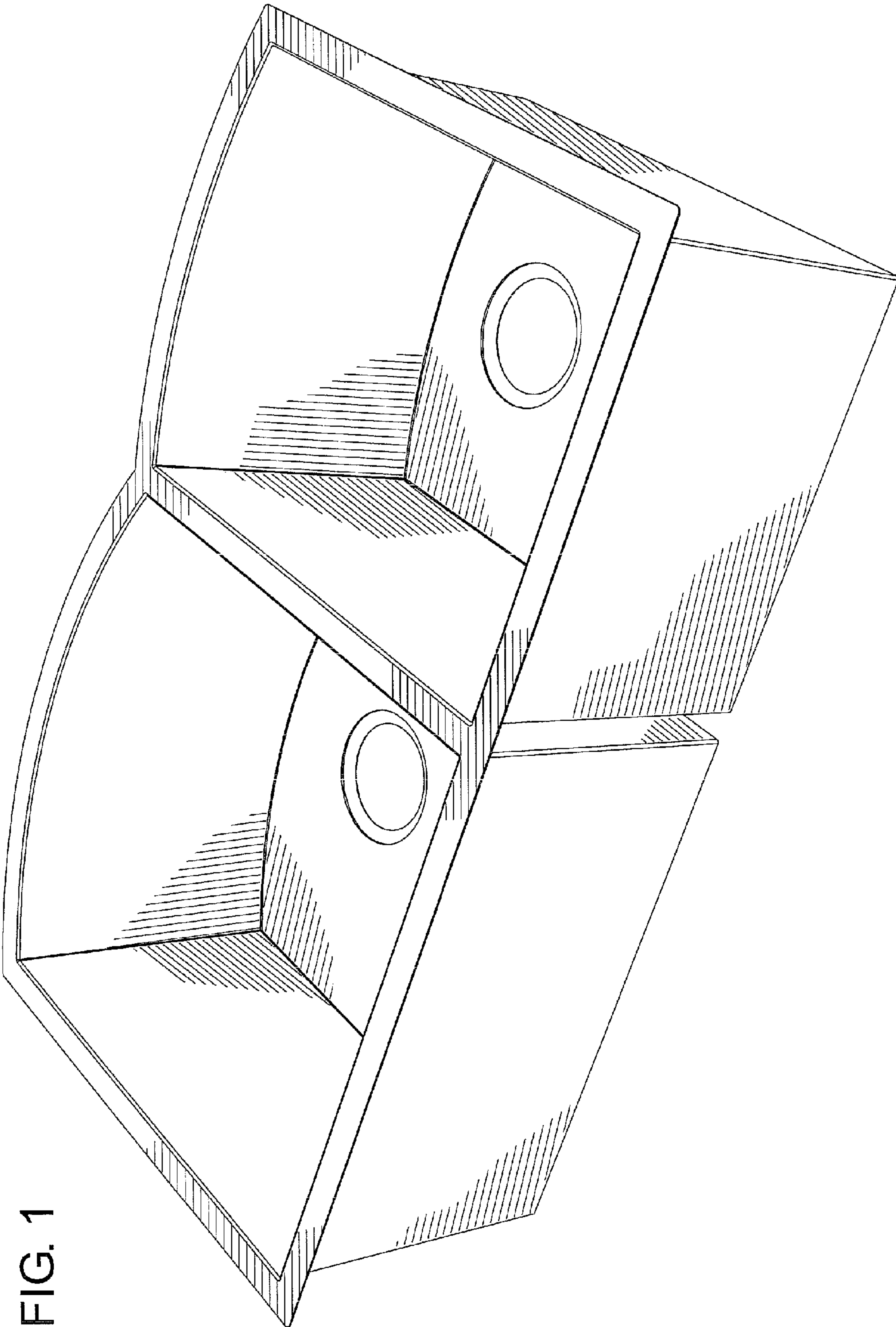


FIG. 1

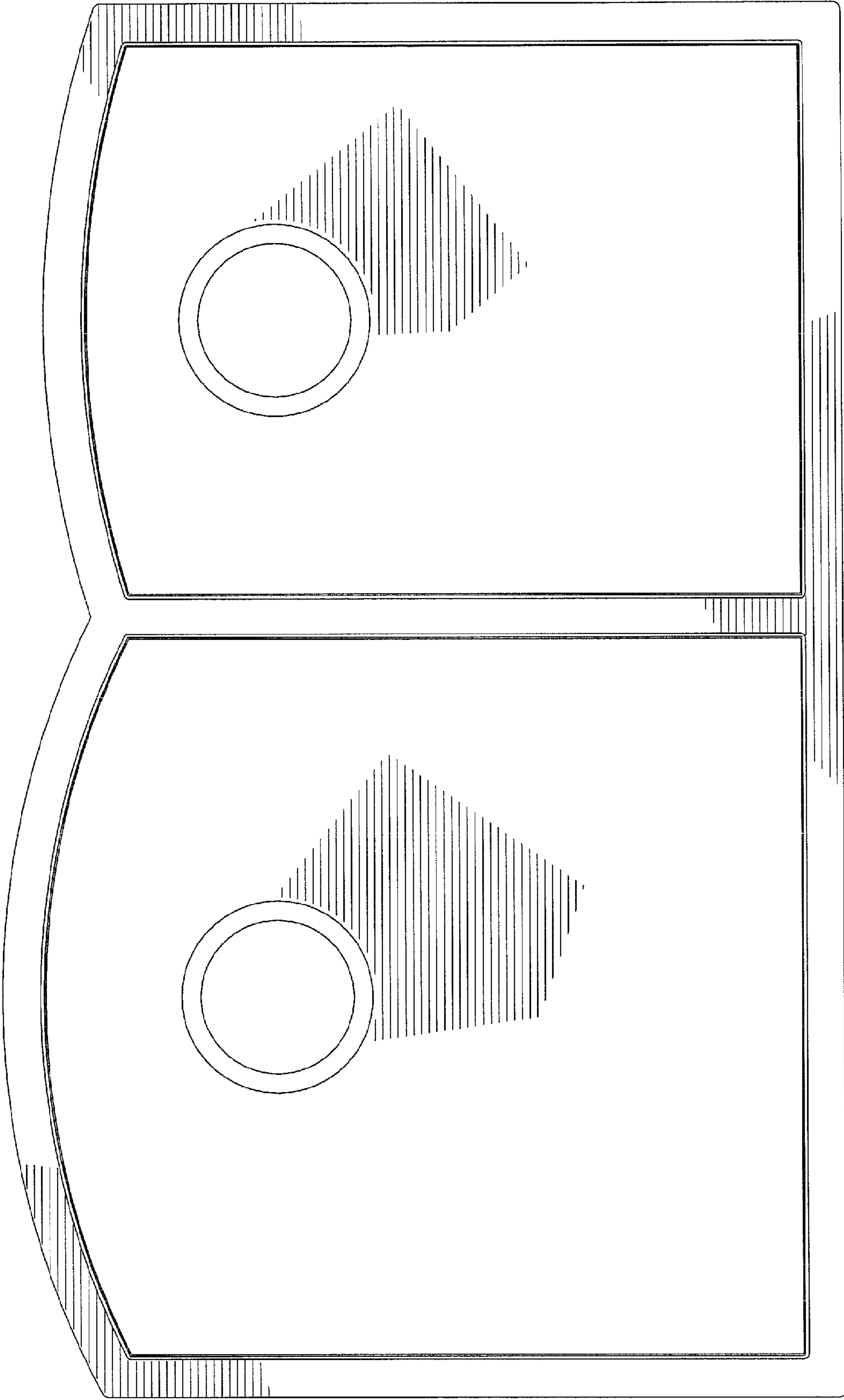


FIG. 2

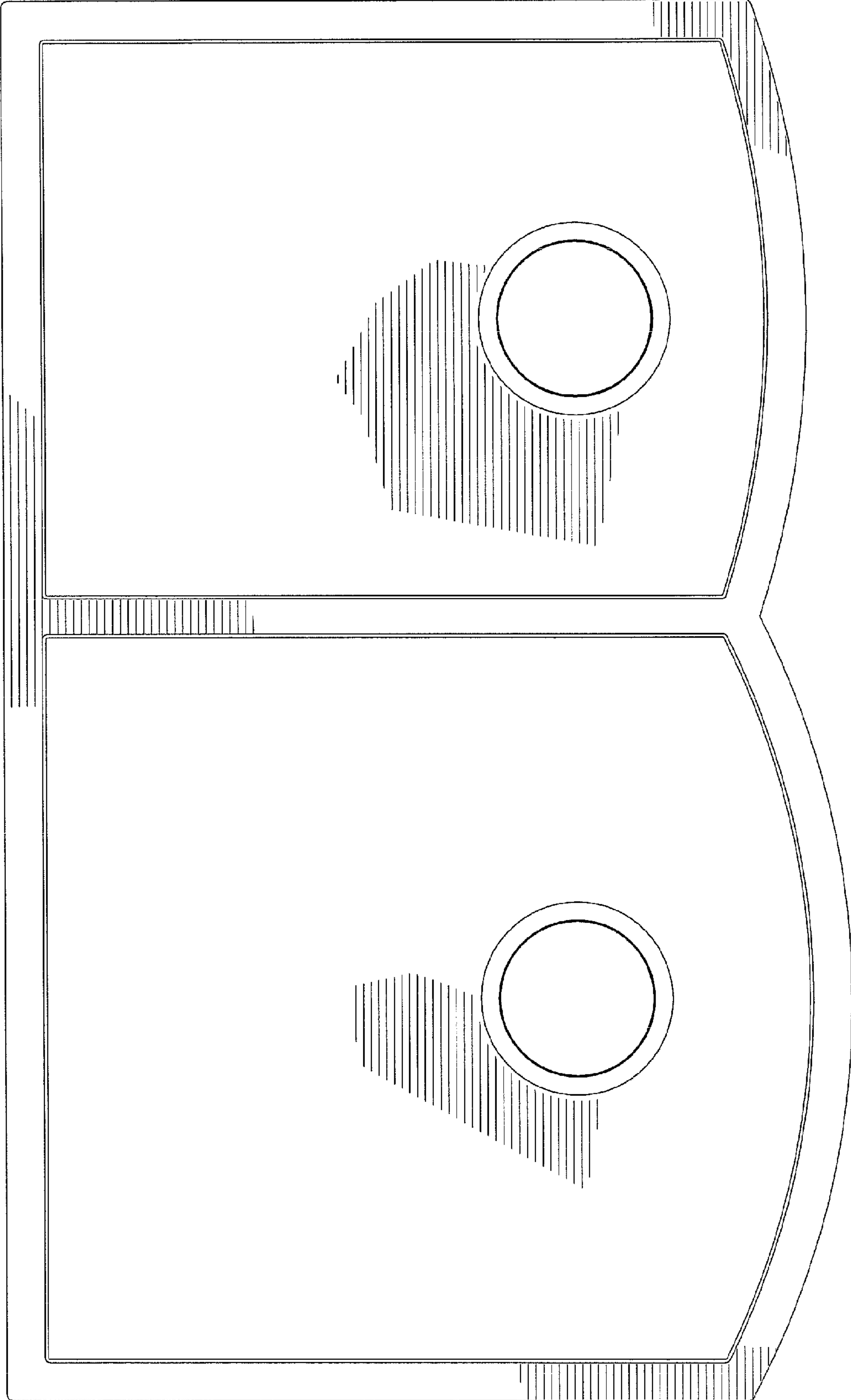


FIG. 3

FIG. 4

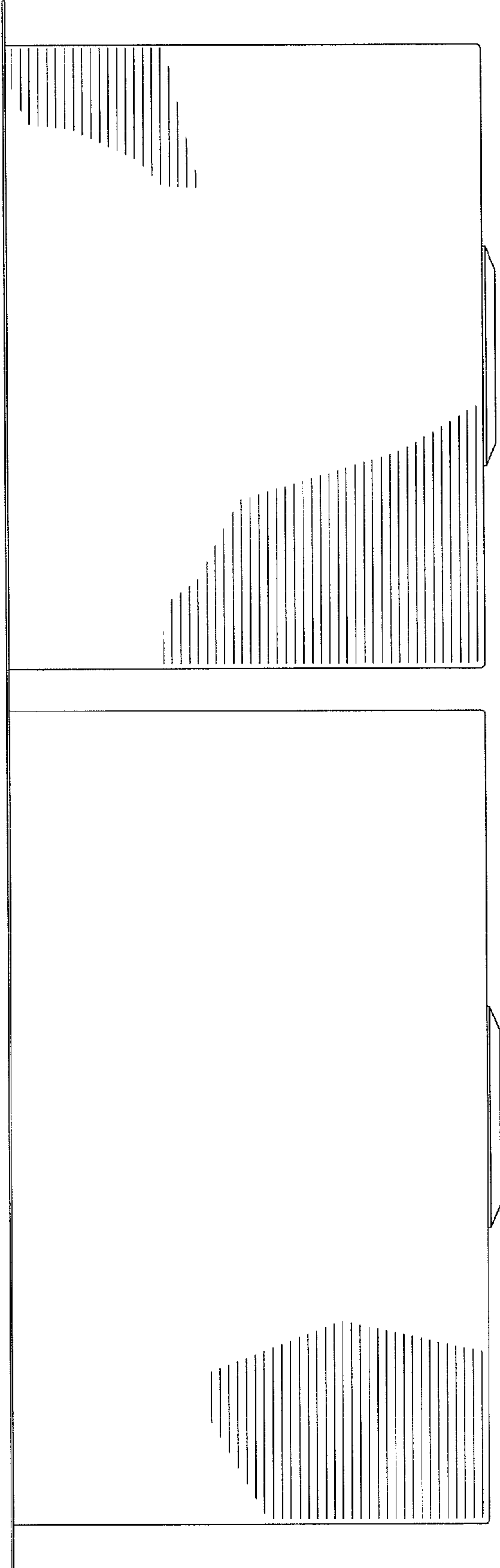
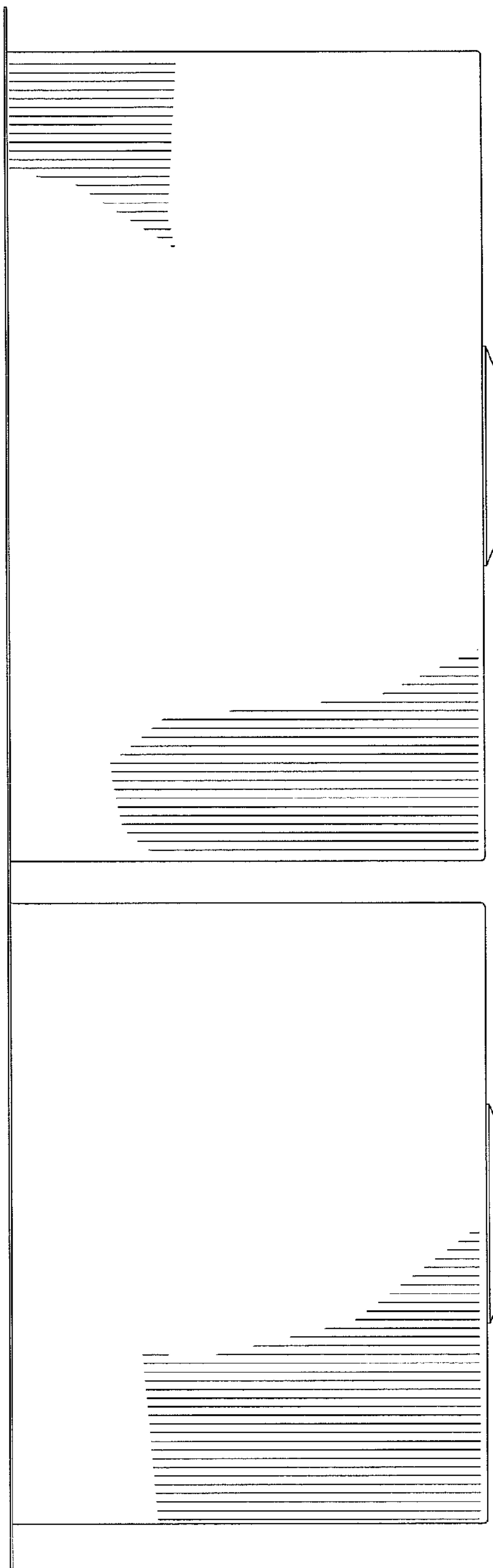


FIG. 5





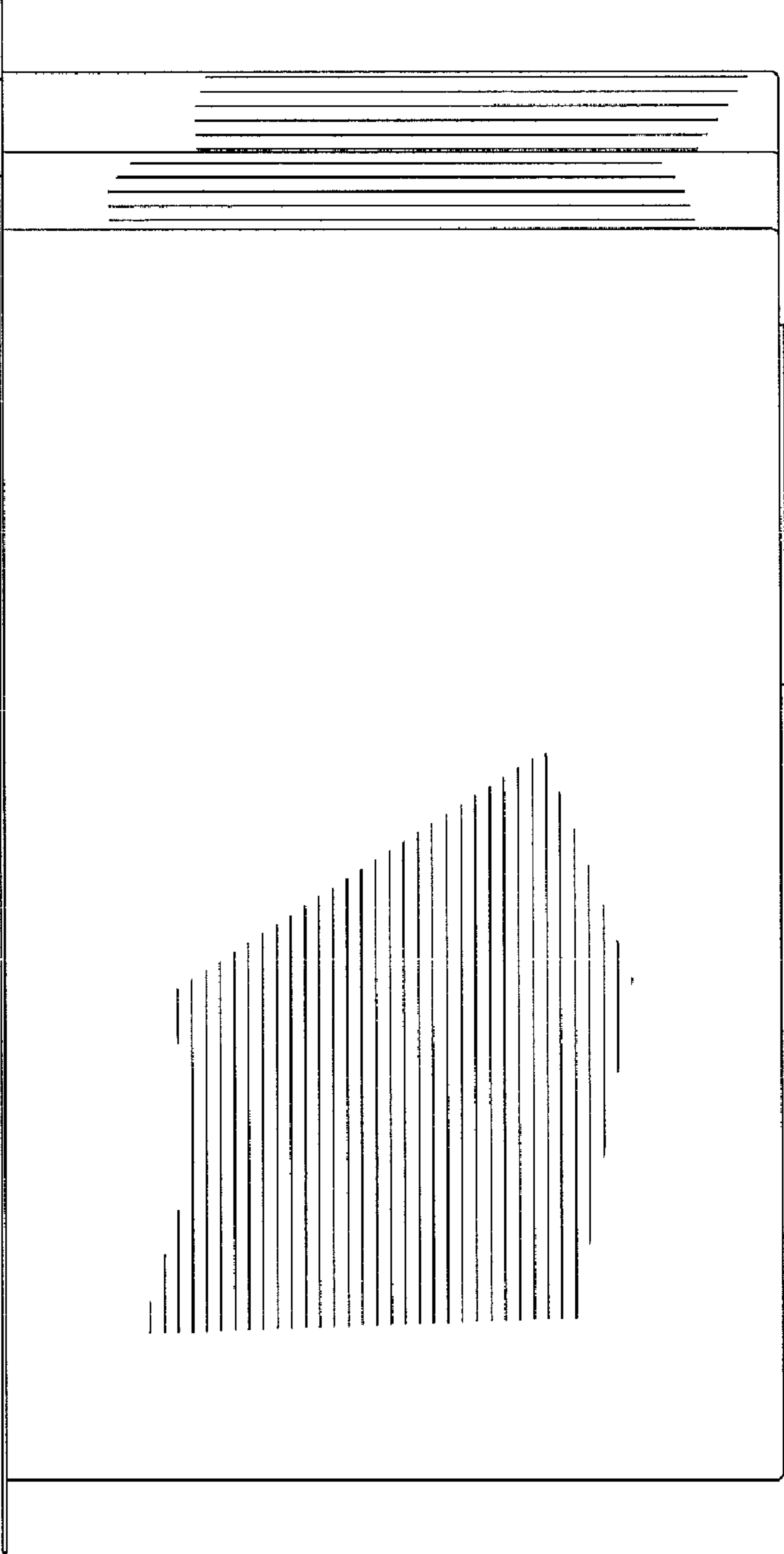


FIG. 6

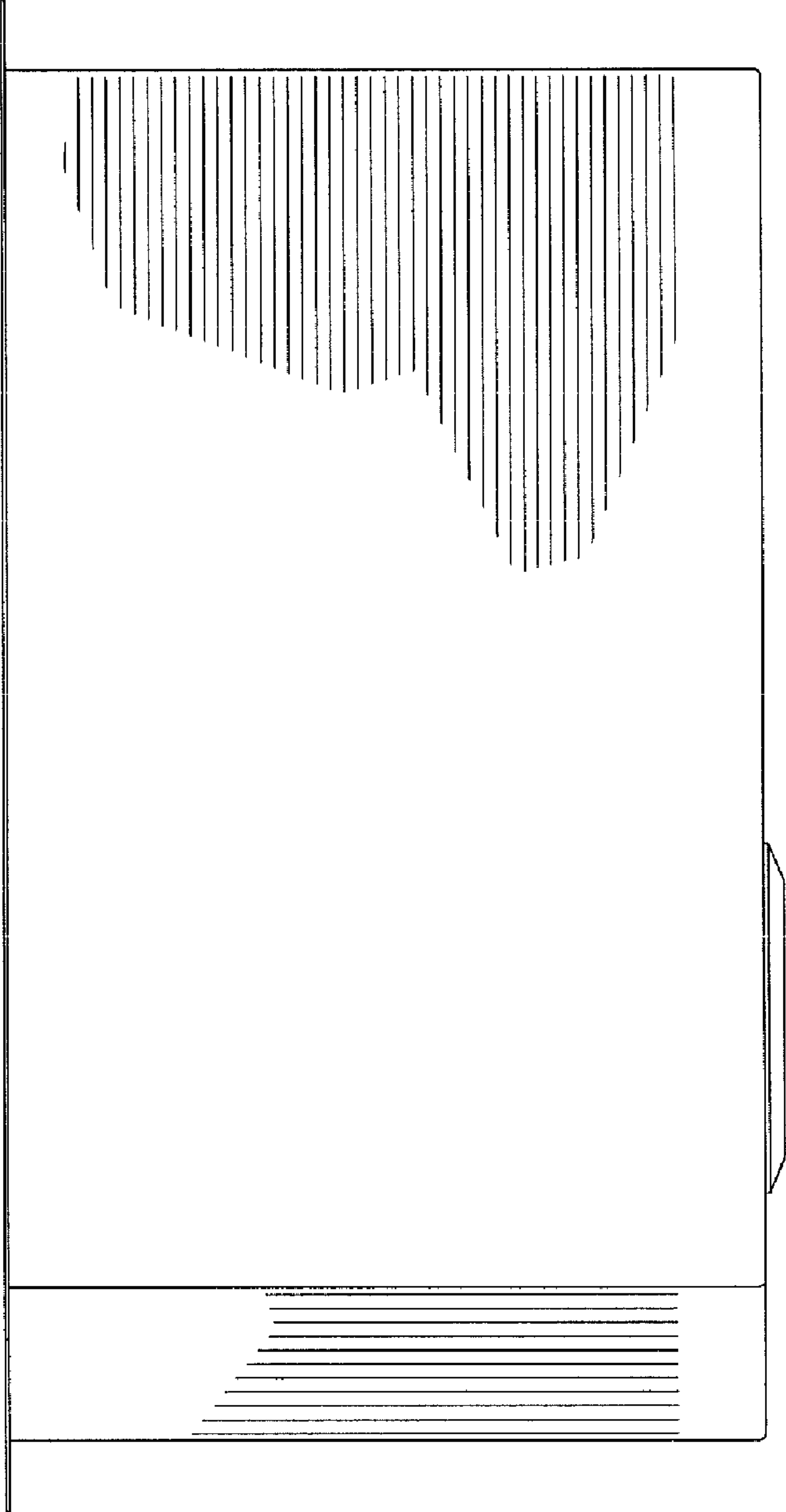


FIG. 7