



US00D627446S

(12) **United States Design Patent**
Yokoyama et al.

(10) **Patent No.:** **US D627,446 S**

(45) **Date of Patent:** **** Nov. 16, 2010**

(54) **FAUCET HANDLE**

D595,812 S * 7/2009 Williams et al. D23/254

(75) Inventors: **Rie Yokoyama**, Kitakyushu (JP);
Hajime Kakihana, Morrow, GA (US);
Minoru Tani, Kitakyushu (JP); **James Piatt**, Los Angeles, CA (US)

* cited by examiner

Primary Examiner—Robert A Delehanty
(74) *Attorney, Agent, or Firm*—Birch, Stewart, Kolasch & Birch, LLP

(73) Assignee: **Toto Ltd.**, Kitakyushu-Shi (JP)

(57) **CLAIM**

(**) Term: **14 Years**

The ornamental design for a faucet handle, as shown and described.

(21) Appl. No.: **29/345,732**

(22) Filed: **Oct. 21, 2009**

(30) **Foreign Application Priority Data**

Apr. 22, 2009 (JP) 2009-009345

(51) **LOC (9) Cl.** **23-01**

(52) **U.S. Cl.** **D23/254**

(58) **Field of Classification Search** D23/238–243,
D23/250, 252, 254; 4/676–677; D8/350–353,
D8/308; 137/350–353

See application file for complete search history.

(56) **References Cited**

U.S. PATENT DOCUMENTS

D522,634 S * 6/2006 Hoernig D23/254

DESCRIPTION

FIG. 1 is a perspective view of the top, front and right side of a faucet handle showing our new design;

FIG. 2 is a front view thereof;

FIG. 3 is a rear view thereof;

FIG. 4 is a left side view thereof;

FIG. 5 is a right side view thereof;

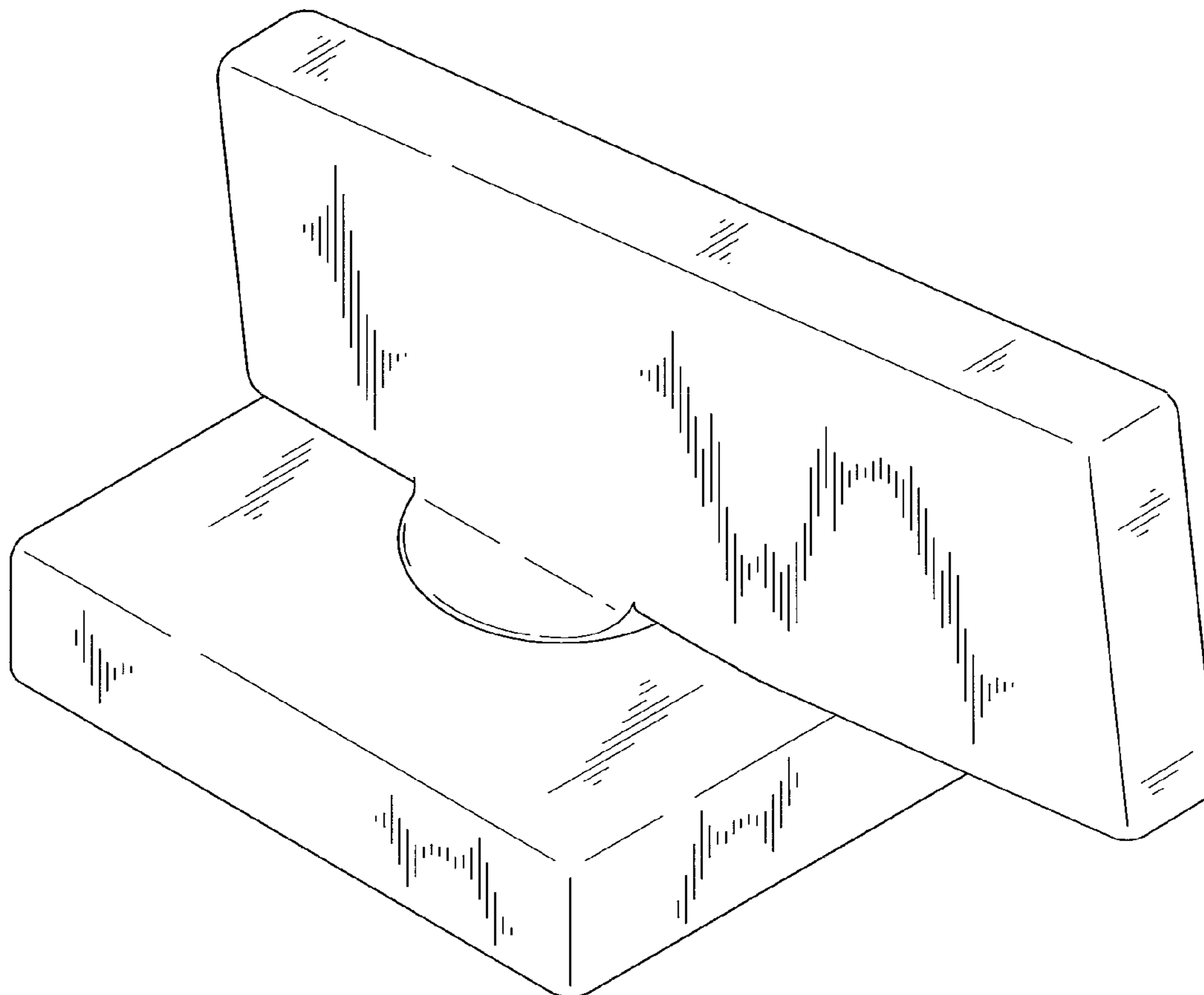
FIG. 6 is a top plan view thereof;

FIG. 7 is a bottom view thereof; and,

FIG. 8 is a perspective view of usage thereof.

The portion of the article in broken lines are shown for illustrative purposes only and form no part of the claimed design.

1 Claim, 5 Drawing Sheets



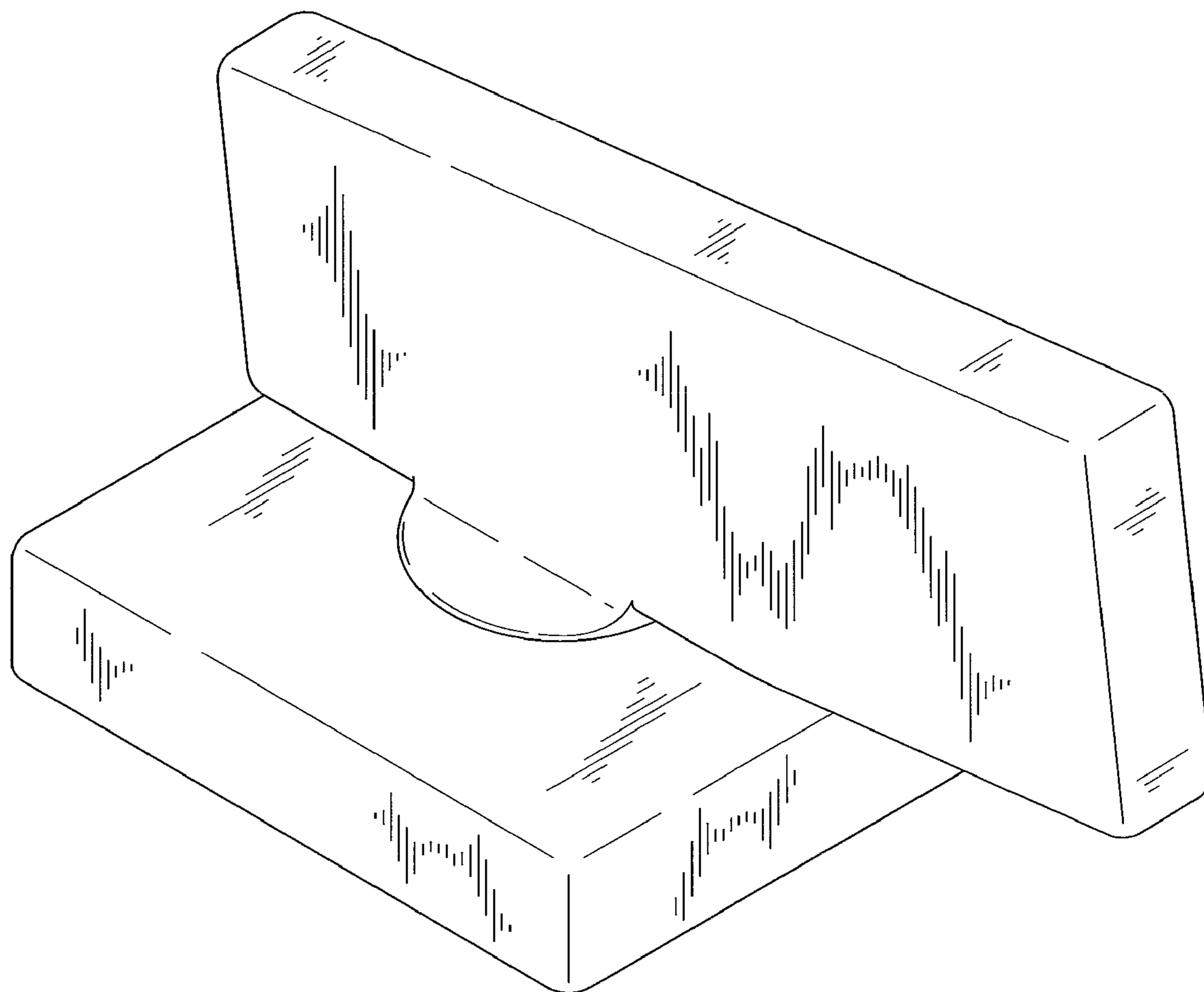


FIG. 1

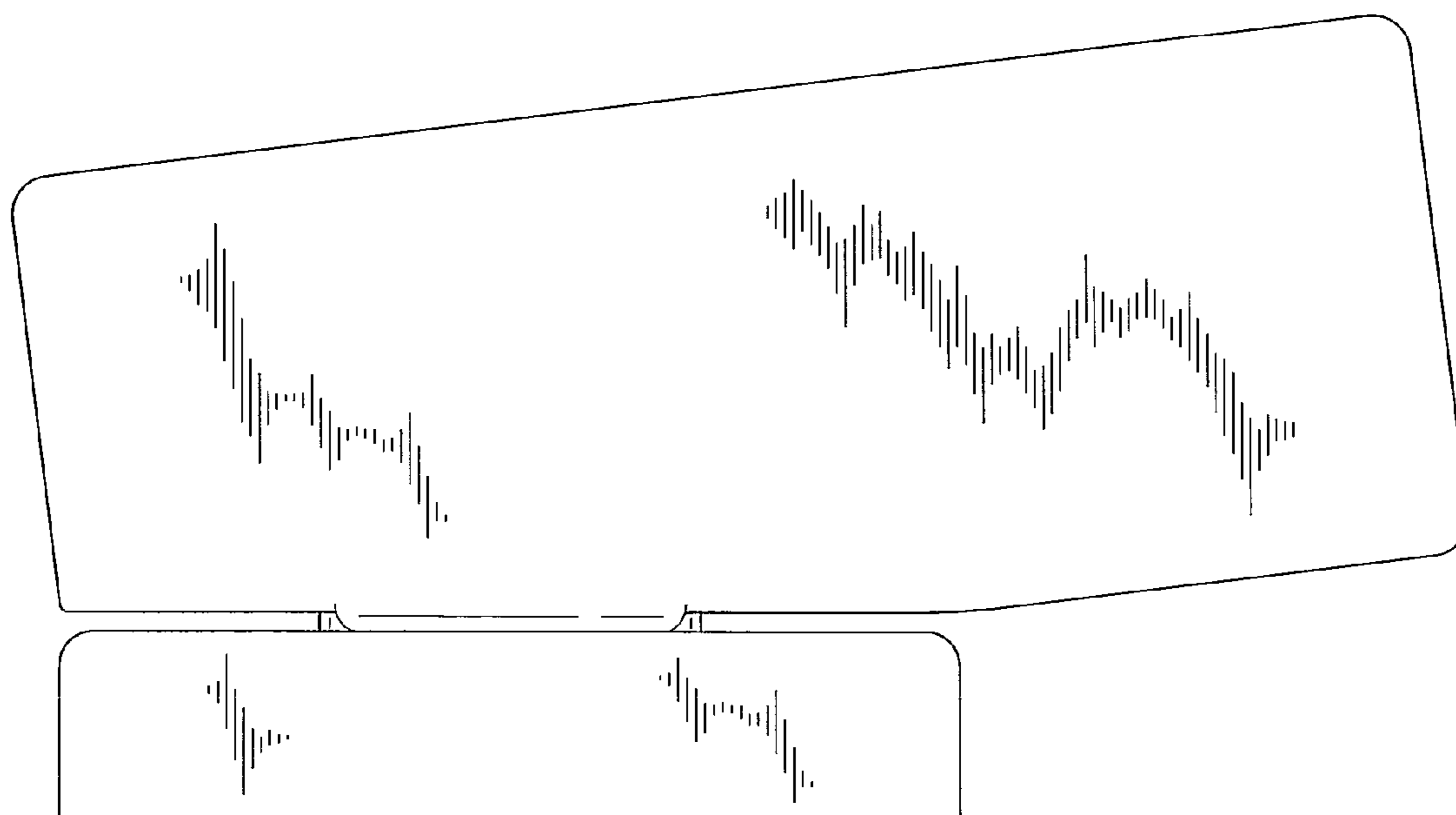


FIG. 2

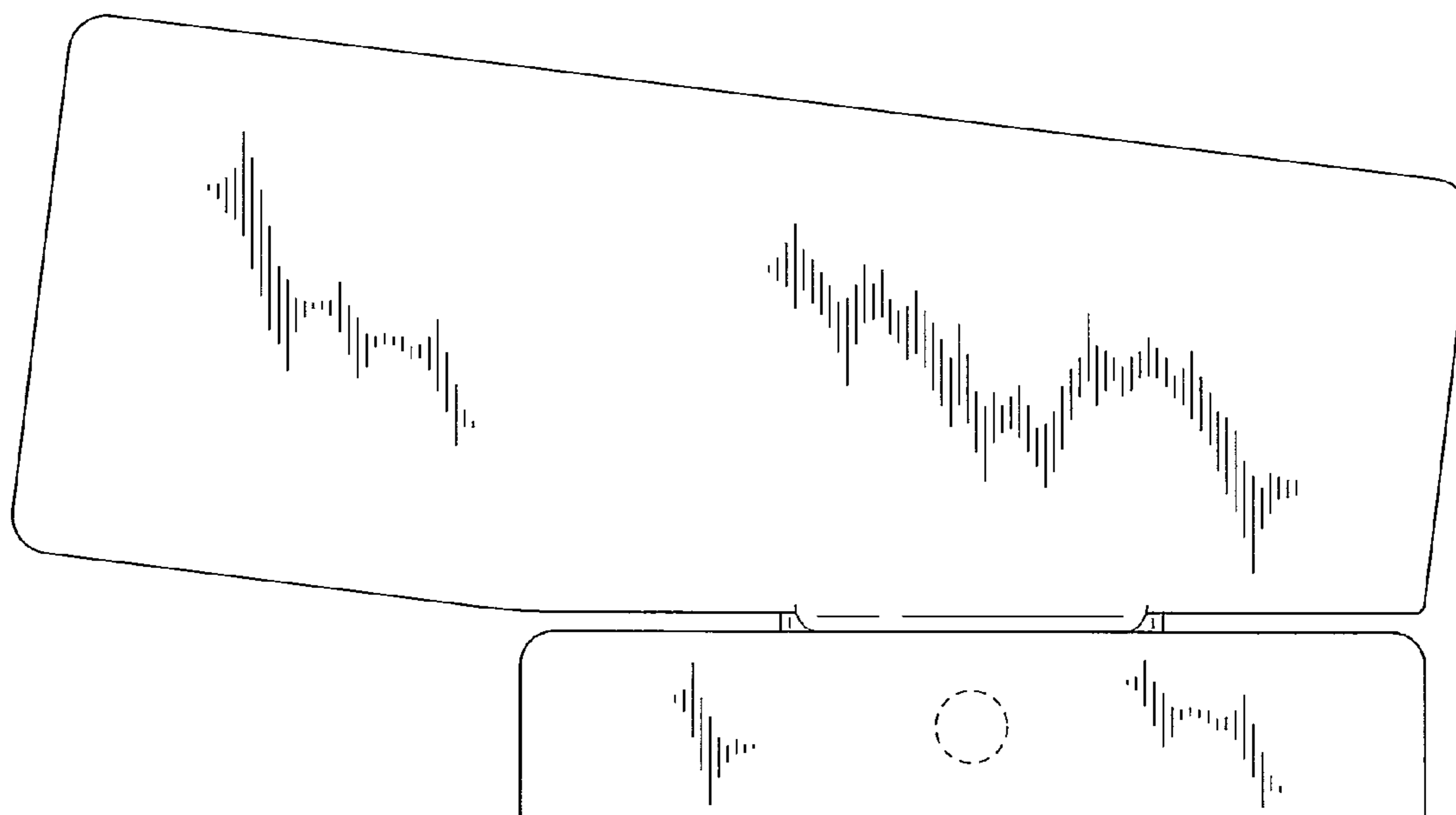


FIG. 3

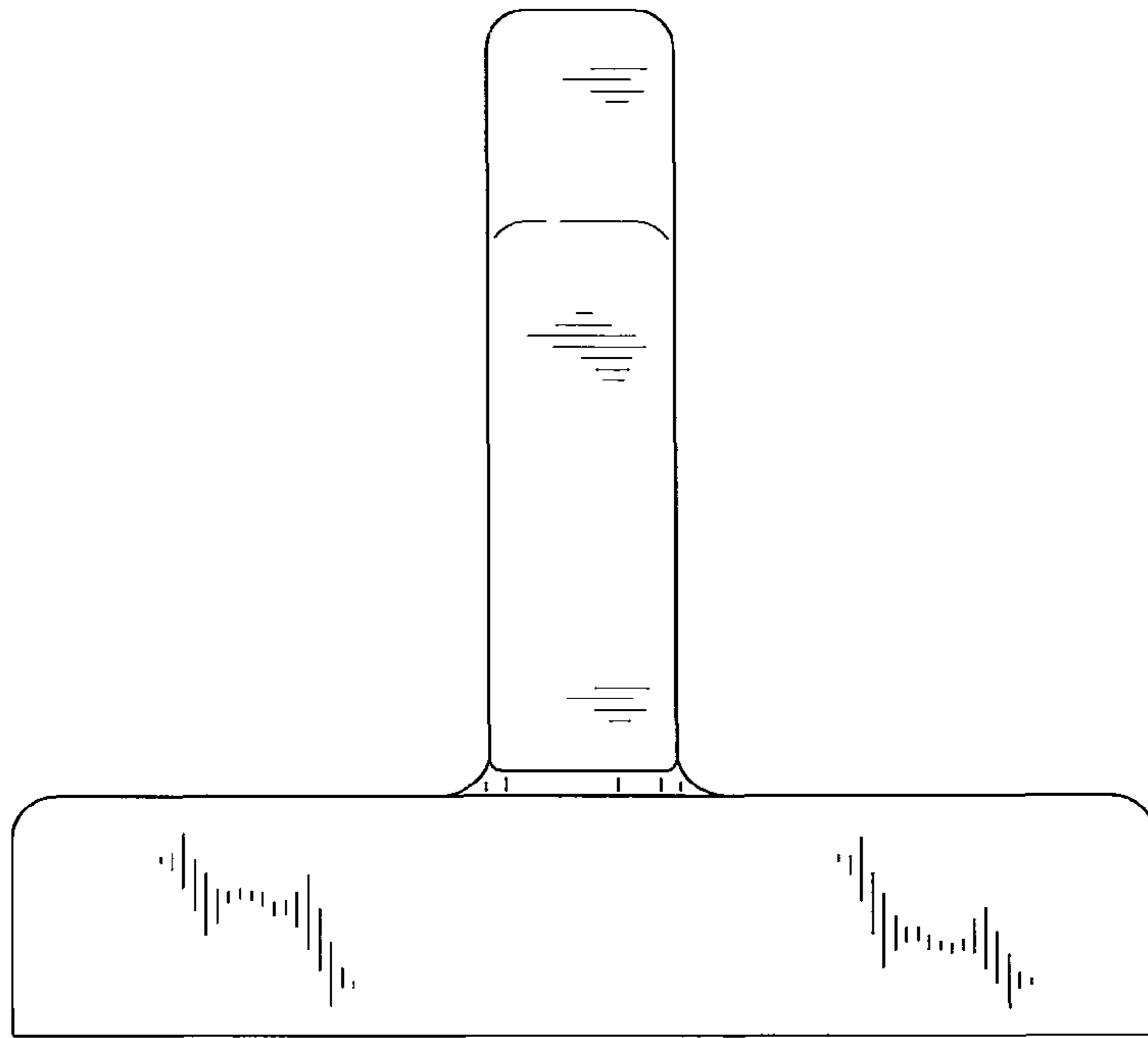


FIG. 4

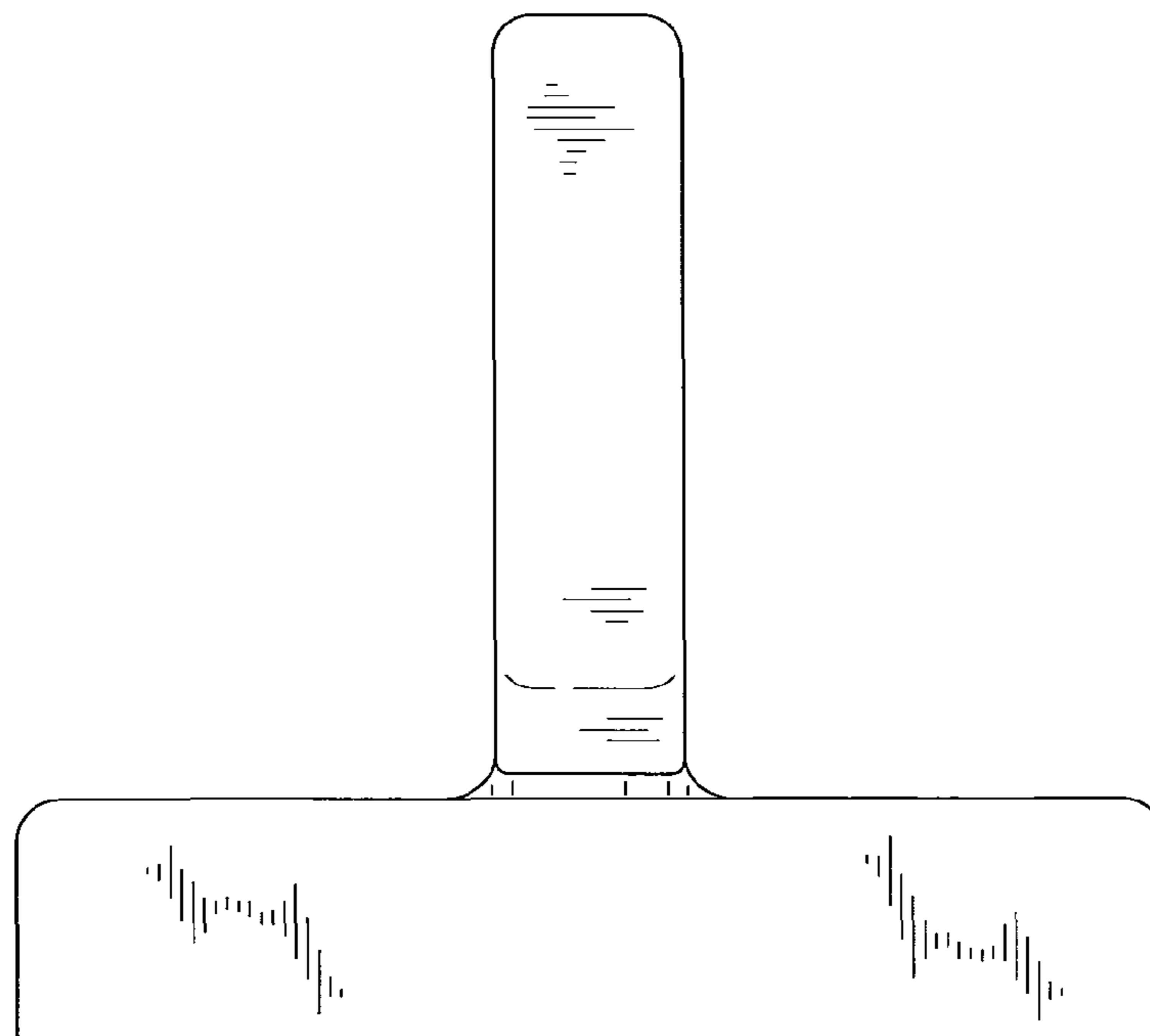


FIG. 5

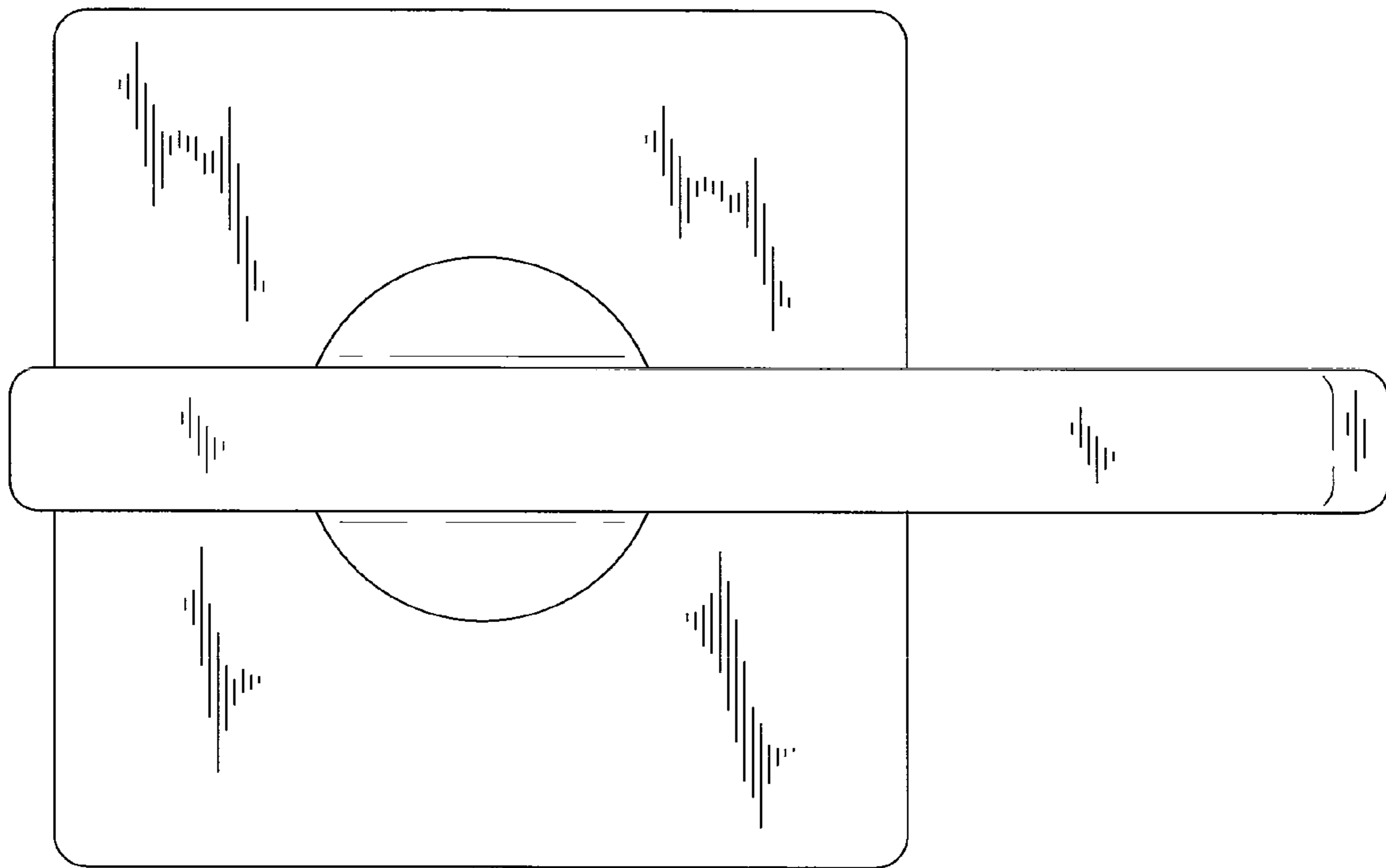


FIG. 6

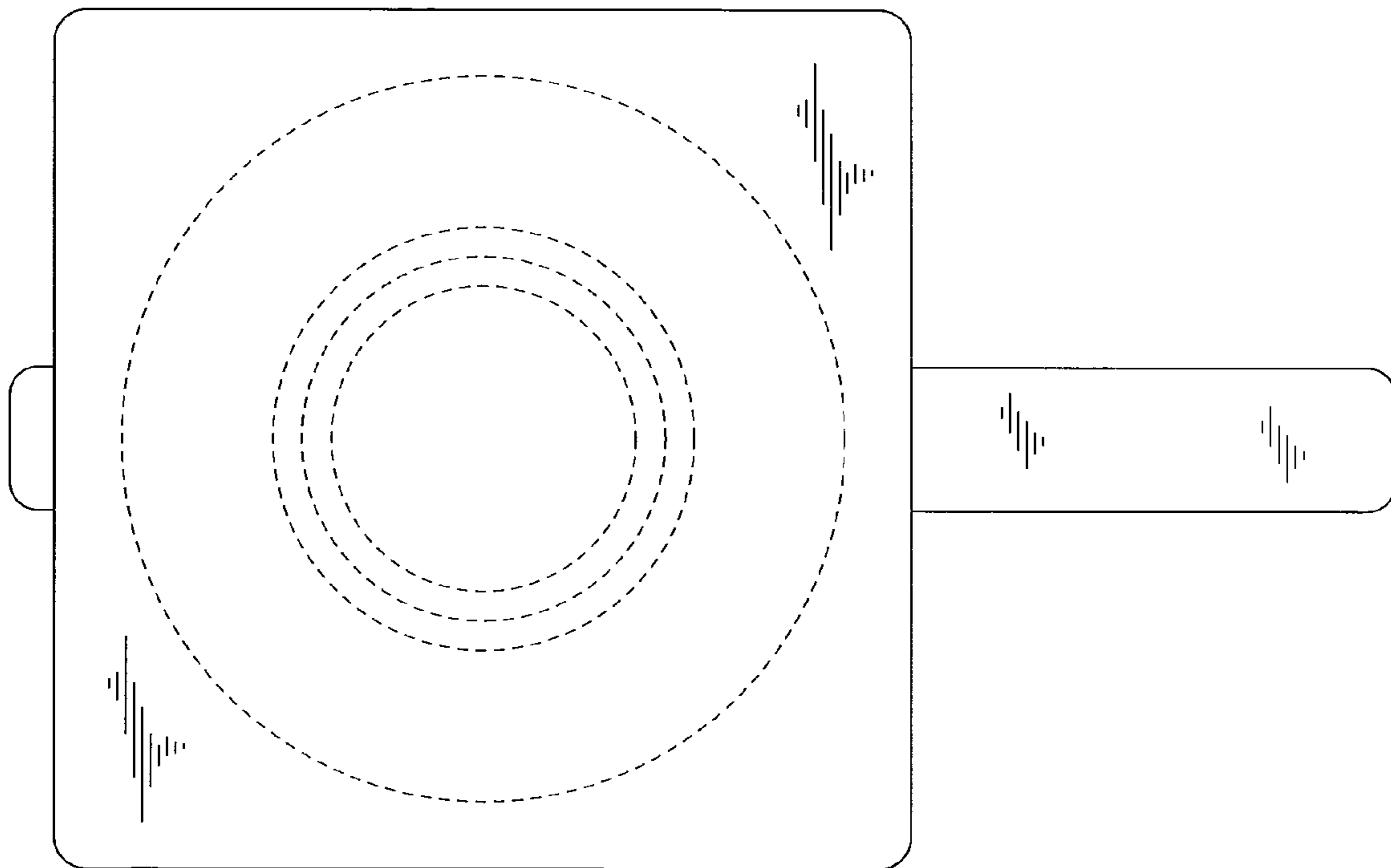


FIG. 7

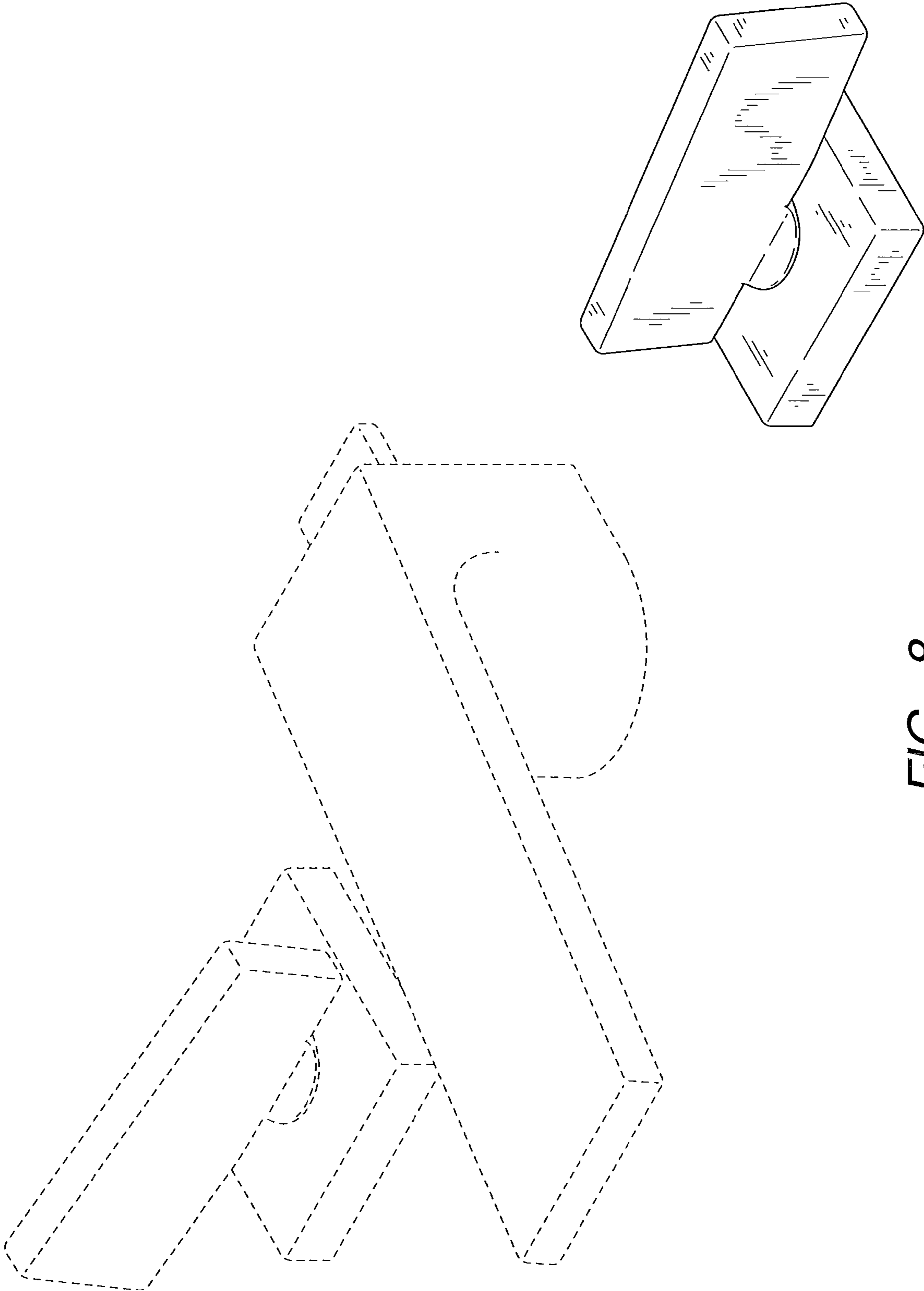


FIG. 8