



US00D627443S

(12) **United States Design Patent**
Sedwick

(10) **Patent No.:** **US D627,443 S**

(45) **Date of Patent:** **** Nov. 16, 2010**

(54) **LEVER**

(75) Inventor: **Jennifer P. Sedwick**, Lakewood, OH (US)

(73) Assignee: **Moen Incorporated**, North Olmsted, OH (US)

(**) Term: **14 Years**

(21) Appl. No.: **29/355,449**

(22) Filed: **Feb. 8, 2010**

(51) **LOC (9) Cl.** **23-01**

(52) **U.S. Cl.** **D23/252**

(58) **Field of Classification Search** D23/238–243,
D23/250, 252, 254; 4/676–677; D8/350–353,
D8/308; 137/350–353

See application file for complete search history.

(56) **References Cited**

U.S. PATENT DOCUMENTS

D285,597 S	9/1986	Miller et al.	
D327,531 S	6/1992	Ko	
D365,384 S	12/1995	Robbins	
D391,351 S	2/1998	Ko	
D402,005 S *	12/1998	Ko D23/252
D404,470 S	1/1999	Pitsch et al.	
D404,802 S	1/1999	Delker	
D420,105 S	2/2000	Ko	
D470,924 S	2/2003	Marshall	
D471,964 S	3/2003	Bates et al.	
D482,757 S	11/2003	Blomstrom	
D482,758 S	11/2003	Bates et al.	
D484,952 S	1/2004	Marshall	
D489,120 S	4/2004	Shieh	
D490,501 S *	5/2004	Ouyoung D23/252

D495,402 S *	8/2004	Spiegelberg et al. D23/252
D516,852 S	3/2006	Berberet	
D518,149 S	3/2006	Spangler	
D520,118 S	5/2006	Fritz	
D523,119 S	6/2006	Fritz	
D523,935 S	6/2006	Schaffeld et al.	
D525,516 S	7/2006	Veltz	
D541,620 S	5/2007	Roberts, III	
D544,583 S	6/2007	Hanna	
D579,748 S	11/2008	Schneider	
D580,018 S	11/2008	Williams	
D581,019 S	11/2008	Chang	
D591,834 S *	5/2009	Williams D23/252
D604,398 S *	11/2009	Lammel et al. D23/252

* cited by examiner

Primary Examiner—Robert A Delehanty

(74) *Attorney, Agent, or Firm*—Calfee, Halter & Griswold LLP

(57) **CLAIM**

The ornamental design for a lever, as shown and described.

DESCRIPTION

FIG. 1 is a perspective view of a lever of the new design;

FIG. 2 is a front elevational view of the lever of FIG. 1;

FIG. 3 is a rear elevational view of the lever of FIG. 1;

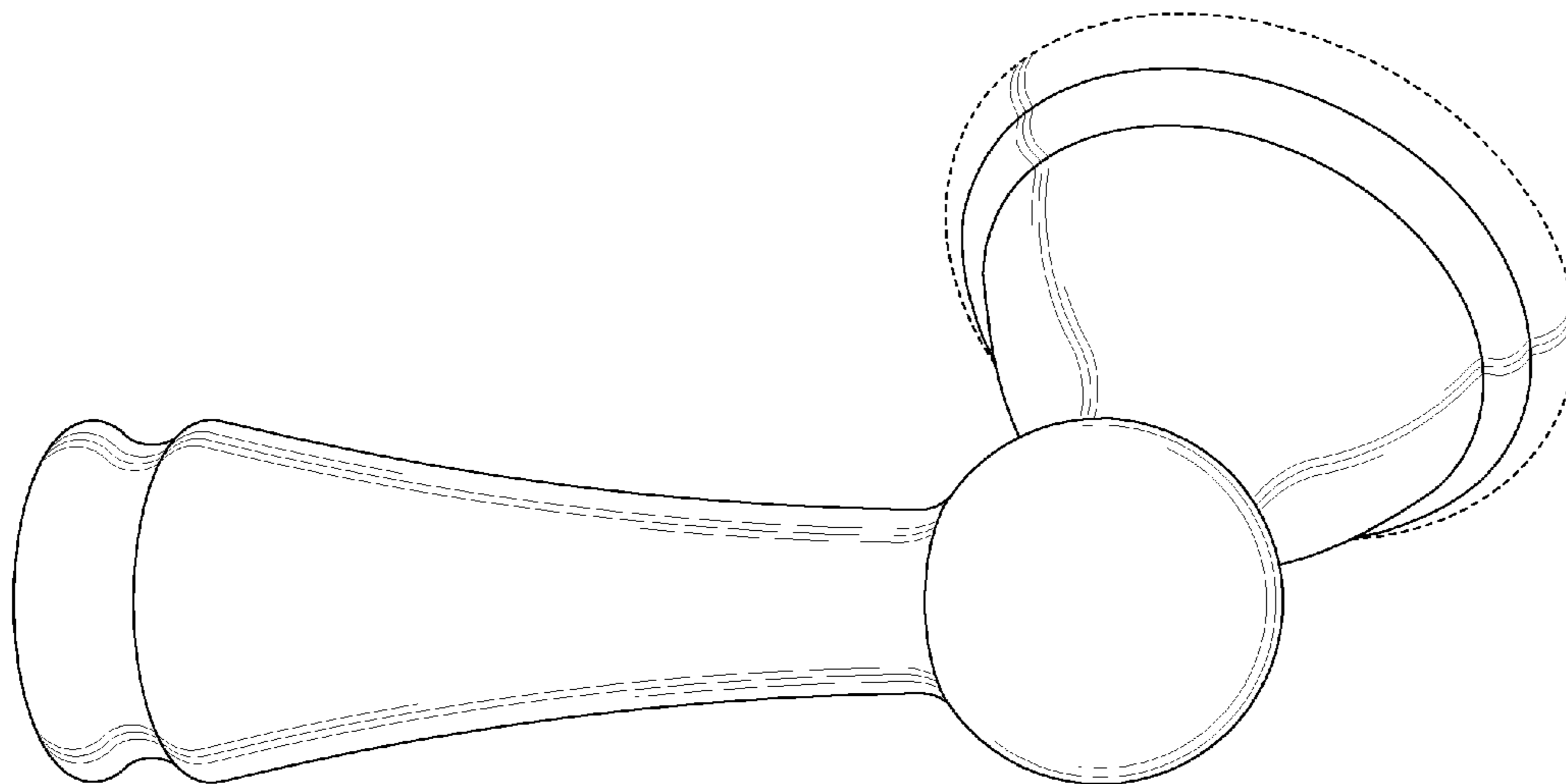
FIG. 4 is a left side elevational view of the lever of FIG. 1;

FIG. 5 is a right side elevational view of the lever of FIG. 1; and,

FIG. 6 is a top plan view of the LEVER of FIG. 1, the bottom plan view being a mirror image thereof.

The portions of the Figures shown in broken lines are not part of the claimed design and are for illustration only.

1 Claim, 3 Drawing Sheets



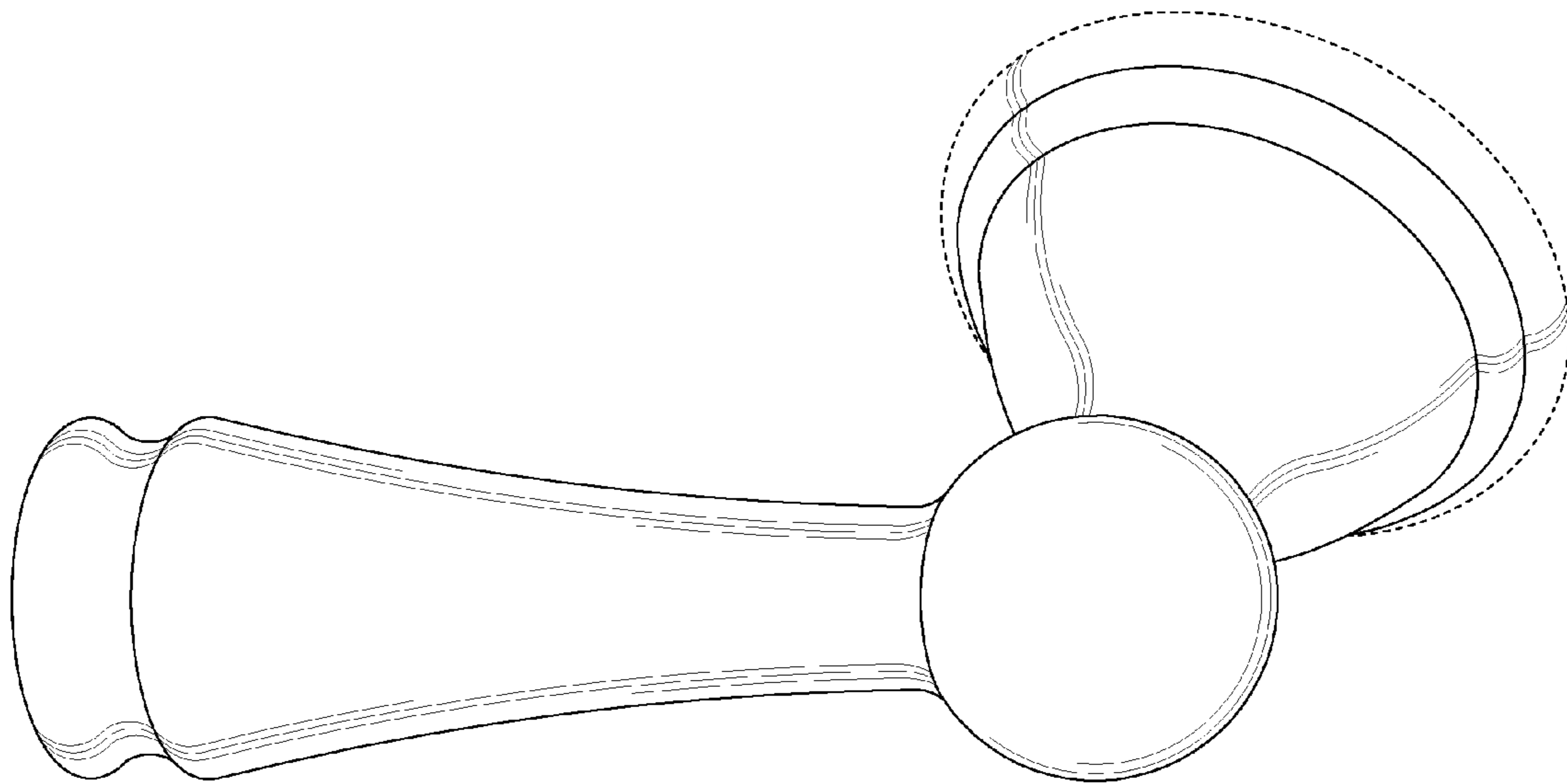


FIG. 1

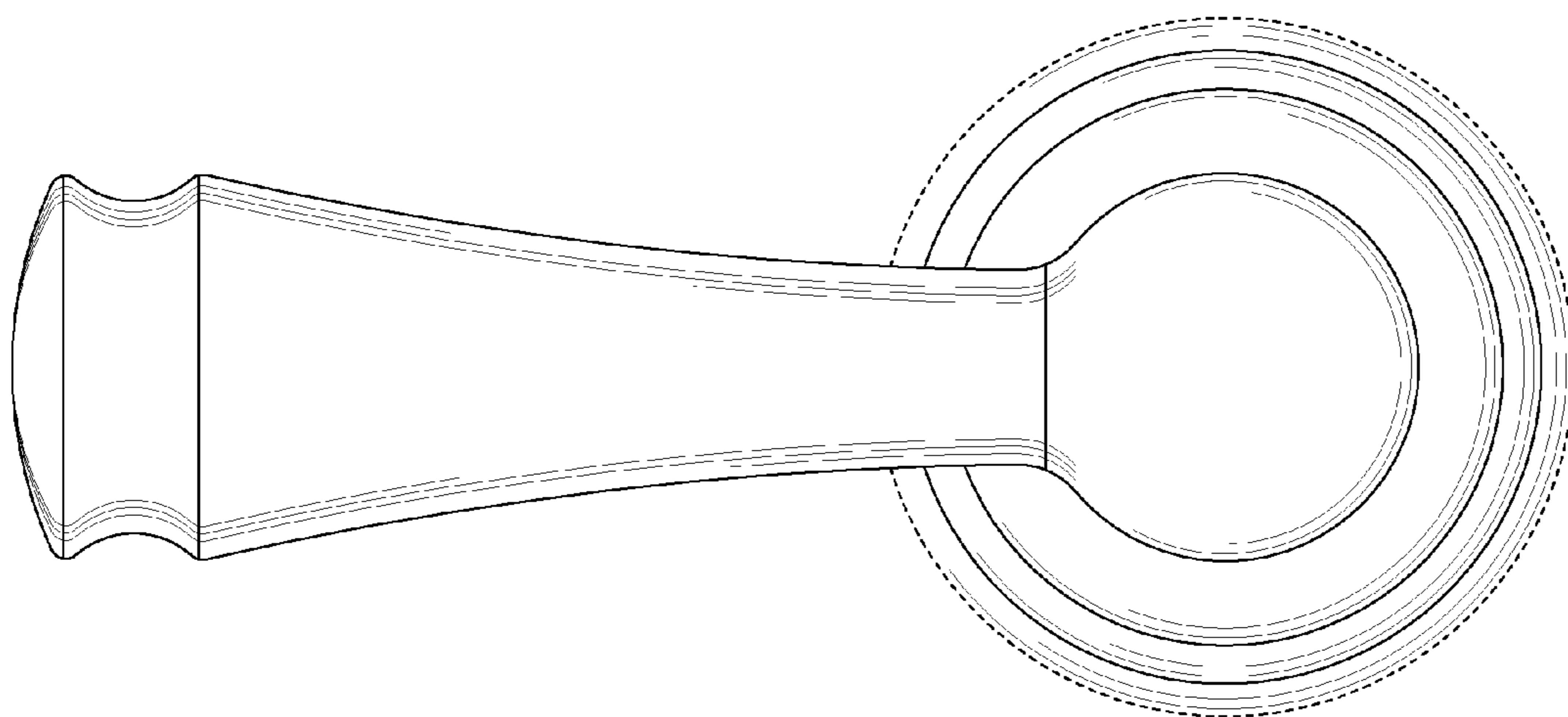


FIG. 2

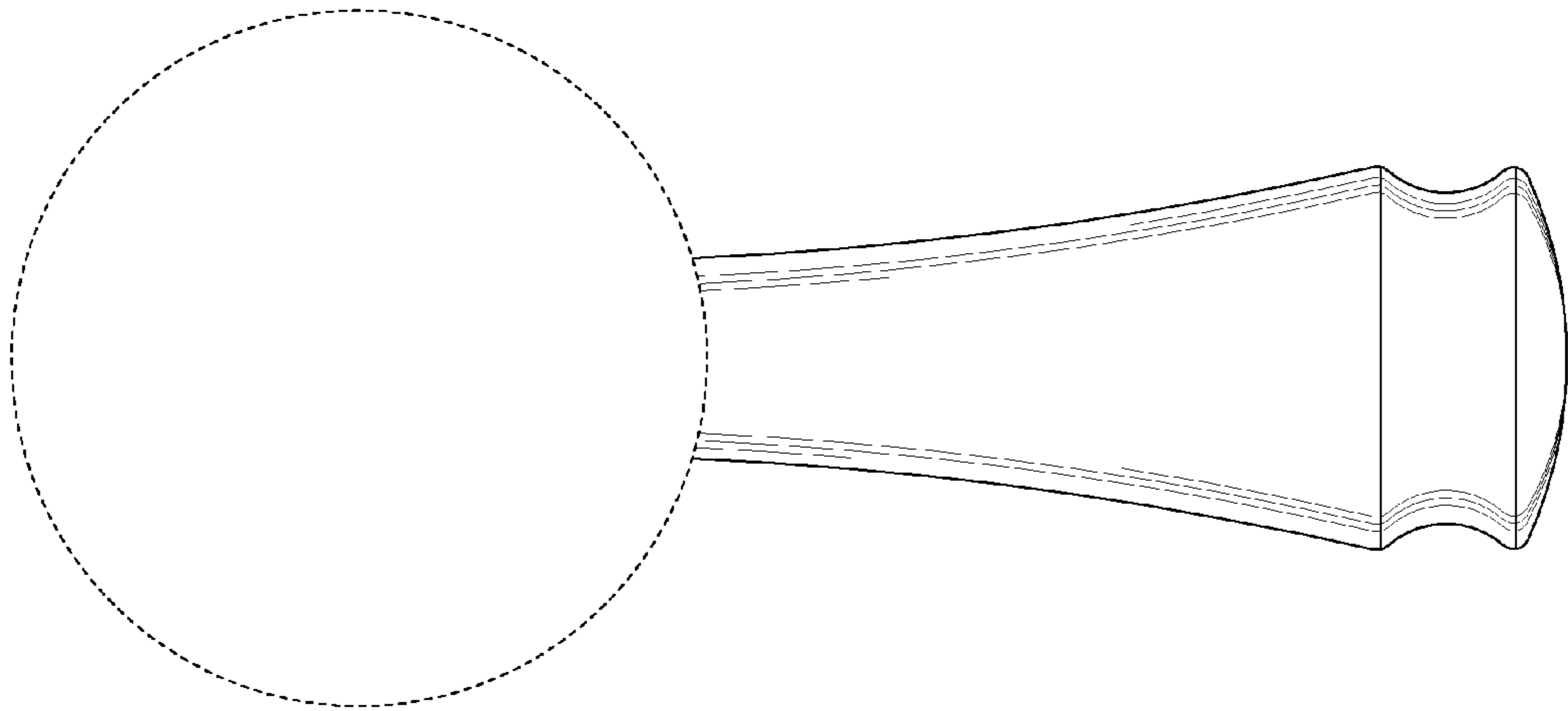


FIG. 3

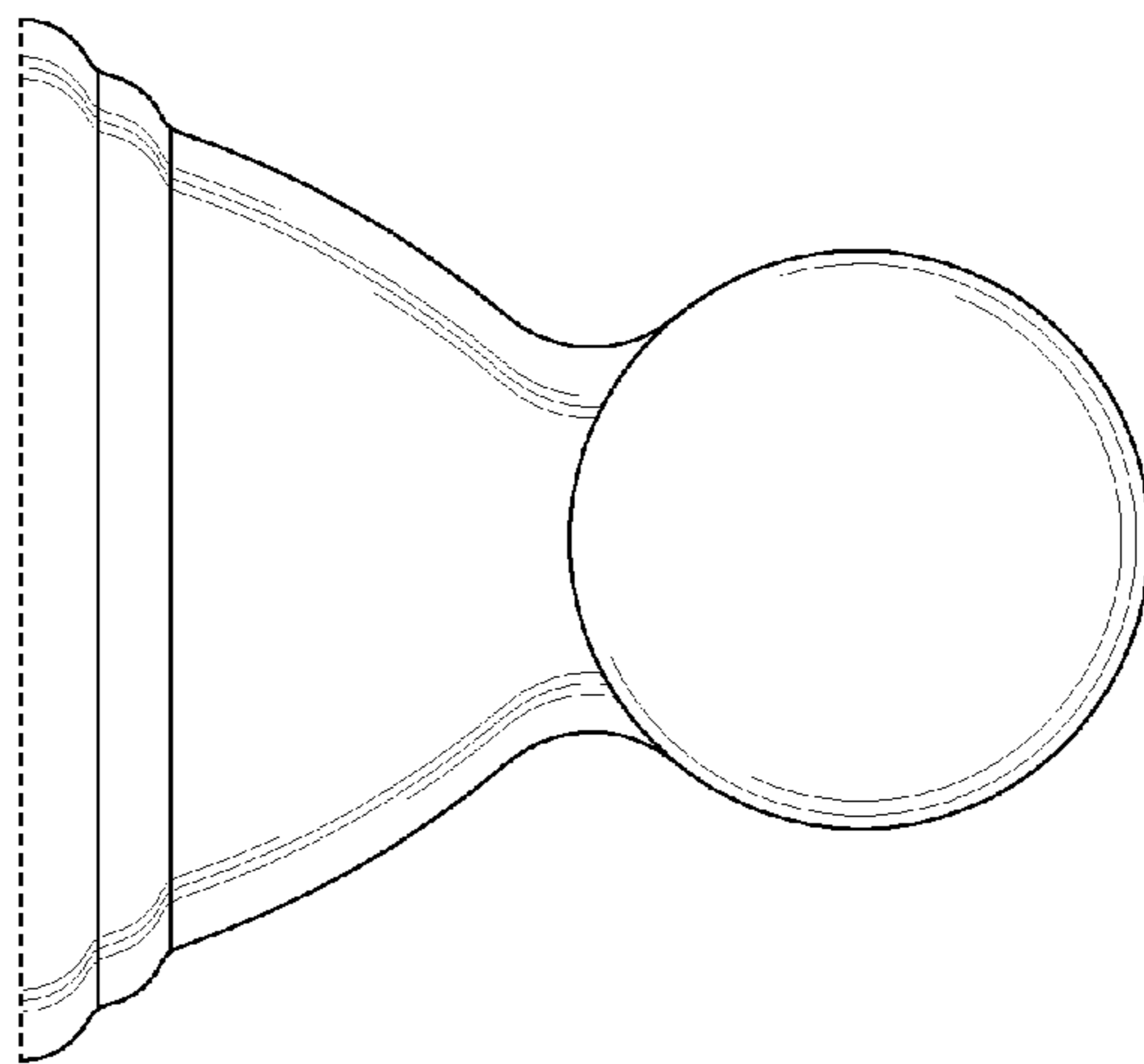


FIG. 4

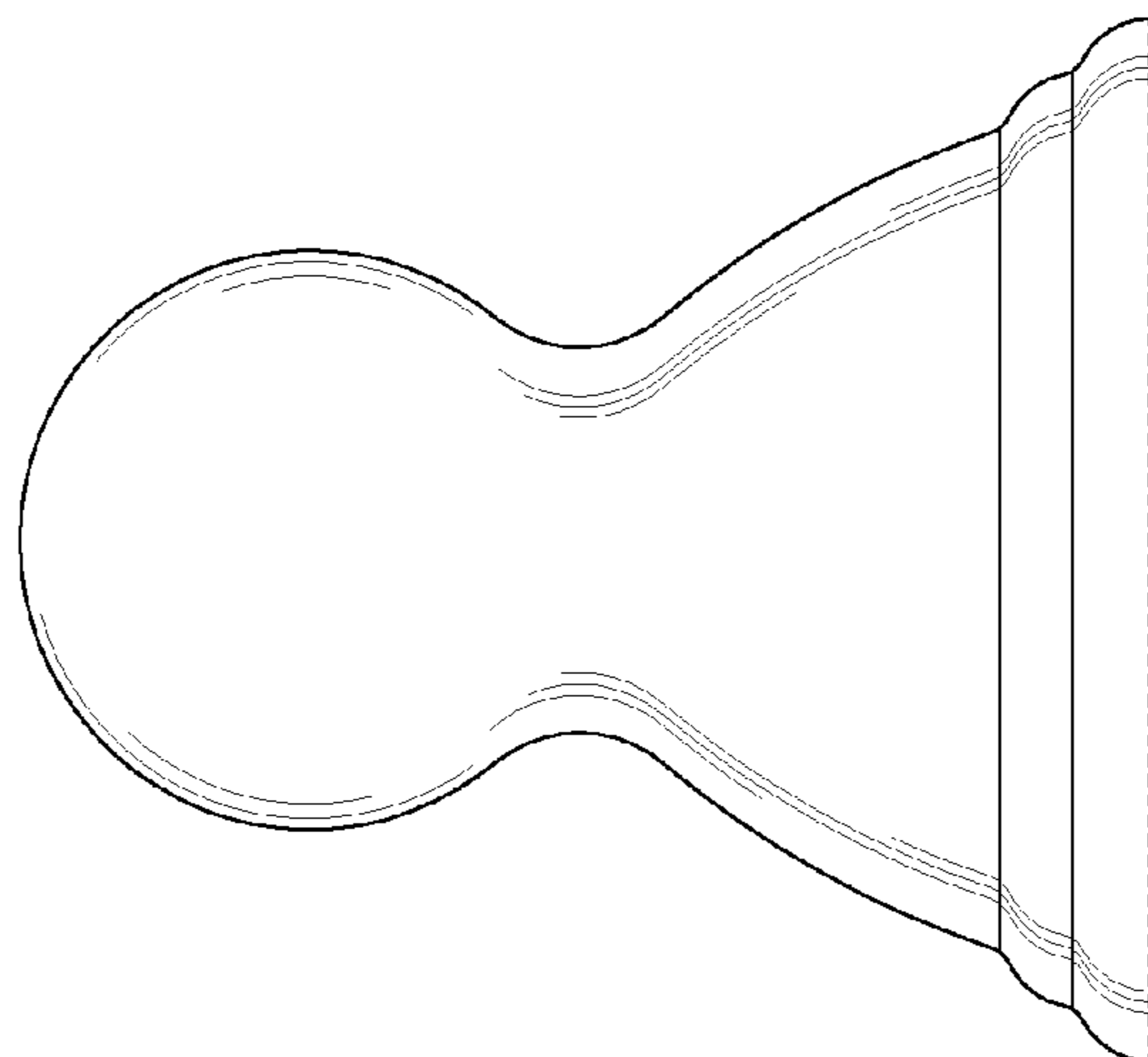


FIG. 5

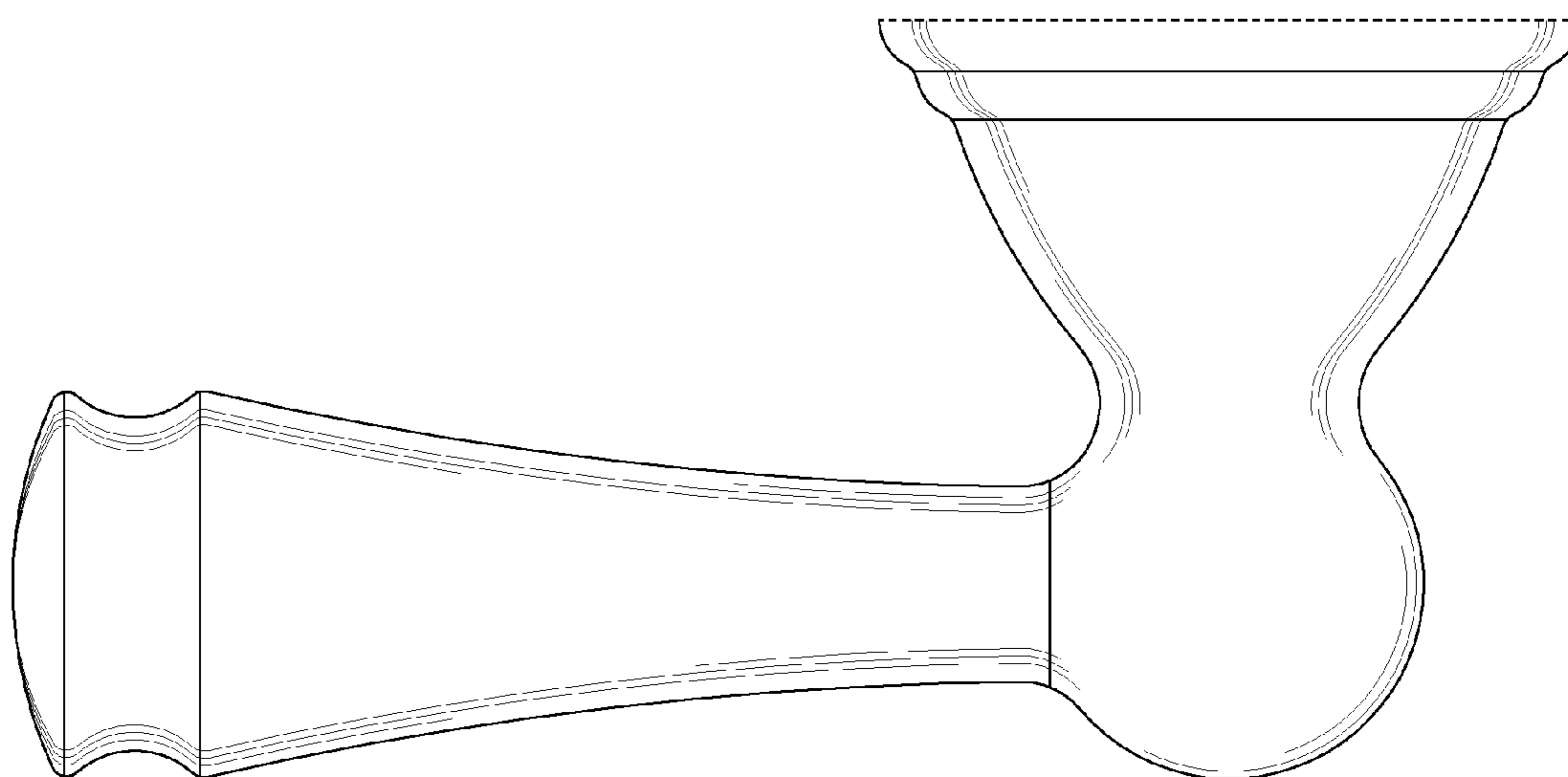


FIG. 6