



US00D627442S

(12) **United States Design Patent**
Sedwick

(10) **Patent No.:** **US D627,442 S**

(45) **Date of Patent:** **** Nov. 16, 2010**

(54) **LEVER**

(75) Inventor: **Jennifer P. Sedwick**, Lakewood, OH
(US)

(73) Assignee: **Moen Incorporated**, North Olmsted,
OH (US)

(**) Term: **14 Years**

(21) Appl. No.: **29/355,447**

(22) Filed: **Feb. 8, 2010**

(51) **LOC (9) Cl.** **23-01**

(52) **U.S. Cl.** **D23/252**

(58) **Field of Classification Search** D23/238–243,
D23/250, 252, 254; 4/676–677; D8/350–353,
D8/308; 137/350–353

See application file for complete search history.

(56) **References Cited**

U.S. PATENT DOCUMENTS

D108,067 S	1/1938	Clemmons	
D149,676 S	5/1948	Roblin	
D197,400 S	1/1964	Patriquin	
D288,837 S	3/1987	Yost	
D332,824 S	1/1993	Robbins	
D371,826 S	7/1996	Robbins	
D394,795 S	6/1998	Diebel	
D431,173 S	9/2000	Durbin	
D456,879 S	5/2002	Doughty et al.	
D470,574 S	2/2003	Marshall	
D477,057 S	7/2003	Schonherr et al.	
D482,758 S	11/2003	Bates et al.	
D508,196 S *	8/2005	Pieters D8/308
D508,553 S	8/2005	Spangler	
D512,126 S	11/2005	Blomstrom	

D514,203 S	1/2006	Kulig	
D520,333 S *	5/2006	Gilbert D8/308
D523,526 S	6/2006	Koury et al.	
D523,937 S	6/2006	Schaffeld et al.	
D526,047 S	8/2006	Koury et al.	
D531,271 S	10/2006	Kohler, Jr. et al.	
D570,962 S	6/2008	Dolan	
D572,346 S	7/2008	Painter	
D577,107 S	9/2008	Gilbert	
D579,084 S	10/2008	Bickler et al.	
D579,524 S	10/2008	Bickler et al.	
D582,015 S	12/2008	Yuan	
D594,730 S *	6/2009	Sedwick D8/308

* cited by examiner

Primary Examiner—Robert A Delehanty

(74) *Attorney, Agent, or Firm*—Calfee, Halter & Griswold
LLP

(57) **CLAIM**

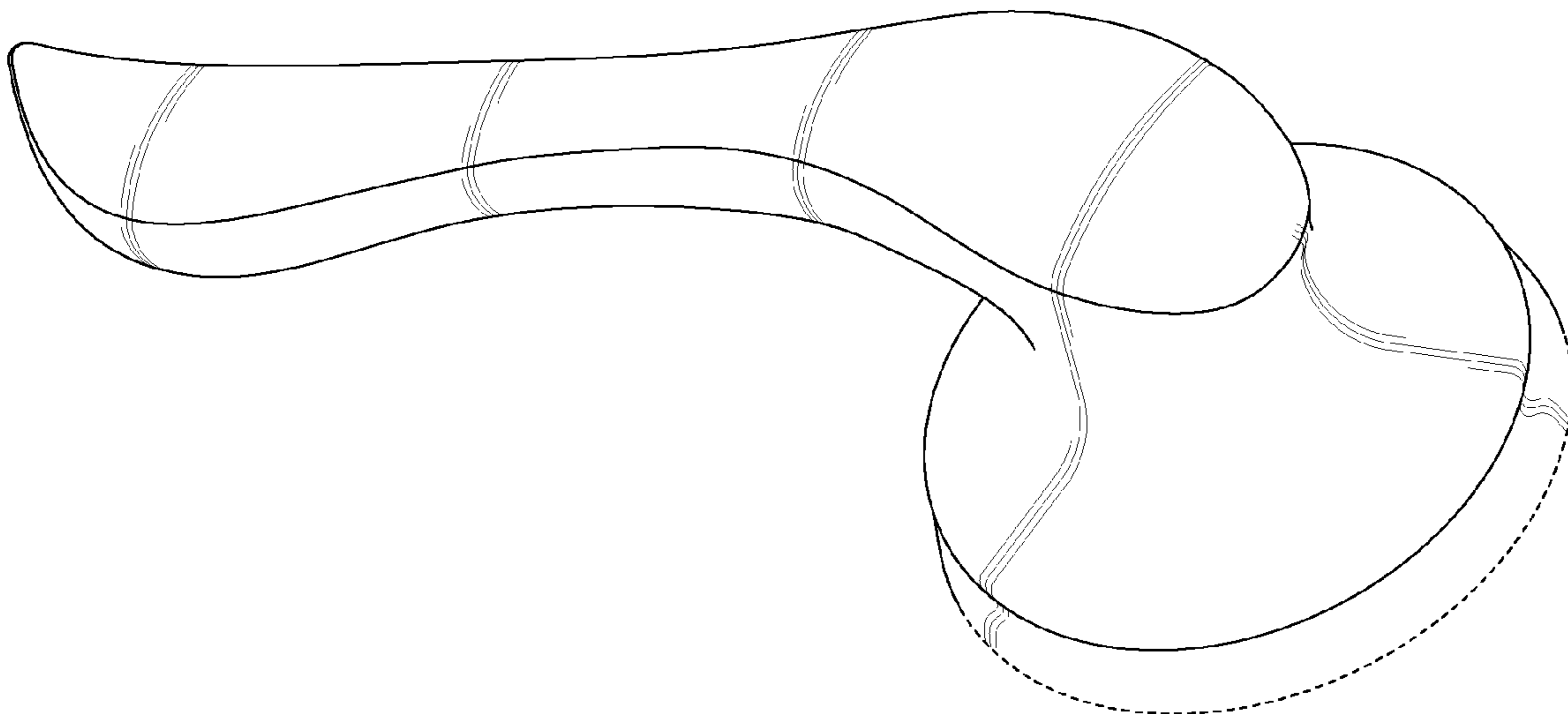
The ornamental design for a lever, as shown and described.

DESCRIPTION

FIG. 1 is a perspective view of a lever of the new design;
FIG. 2 is a front elevational view of the lever of FIG. 1;
FIG. 3 is a rear elevational view of the lever of FIG. 1;
FIG. 4 is a left side elevational view of the lever of FIG. 1;
FIG. 5 is a right side elevational view of the lever of FIG. 1;
FIG. 6 is a top plan view of the lever of FIG. 1; and,
FIG. 7 is a bottom plan view of the lever of FIG. 1.

The portions of the Figures shown in broken lines are not part
of the claimed design and are for illustration only.

1 Claim, 4 Drawing Sheets



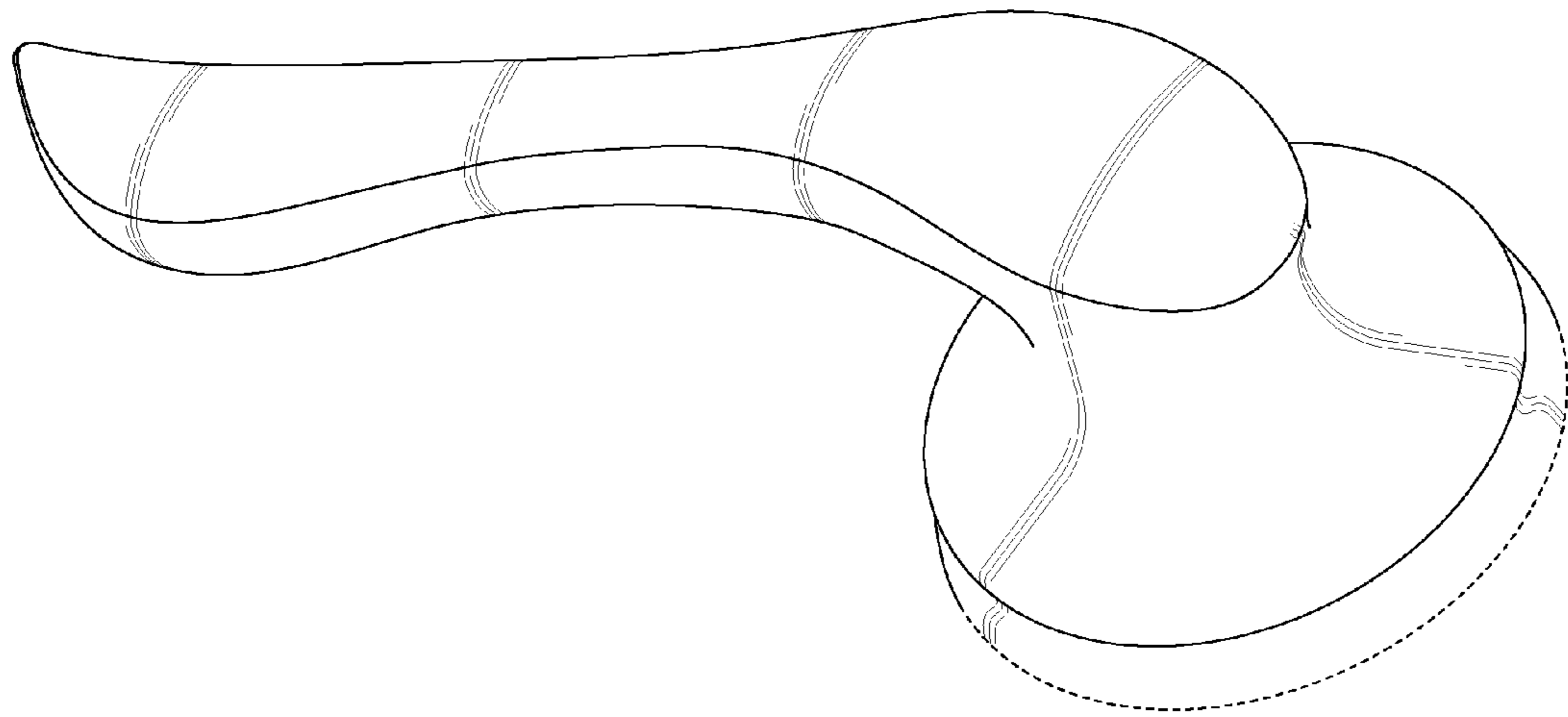


FIG. 1

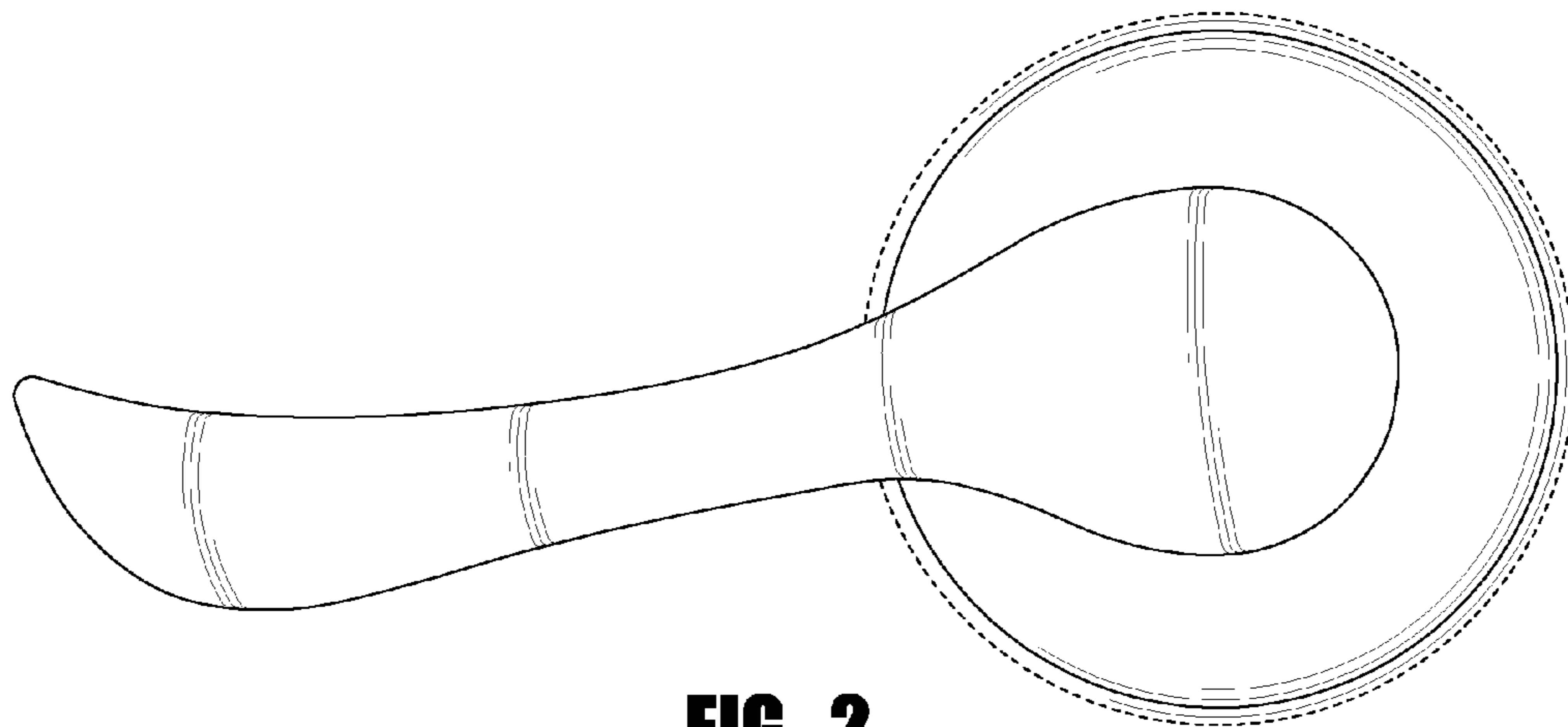


FIG. 2

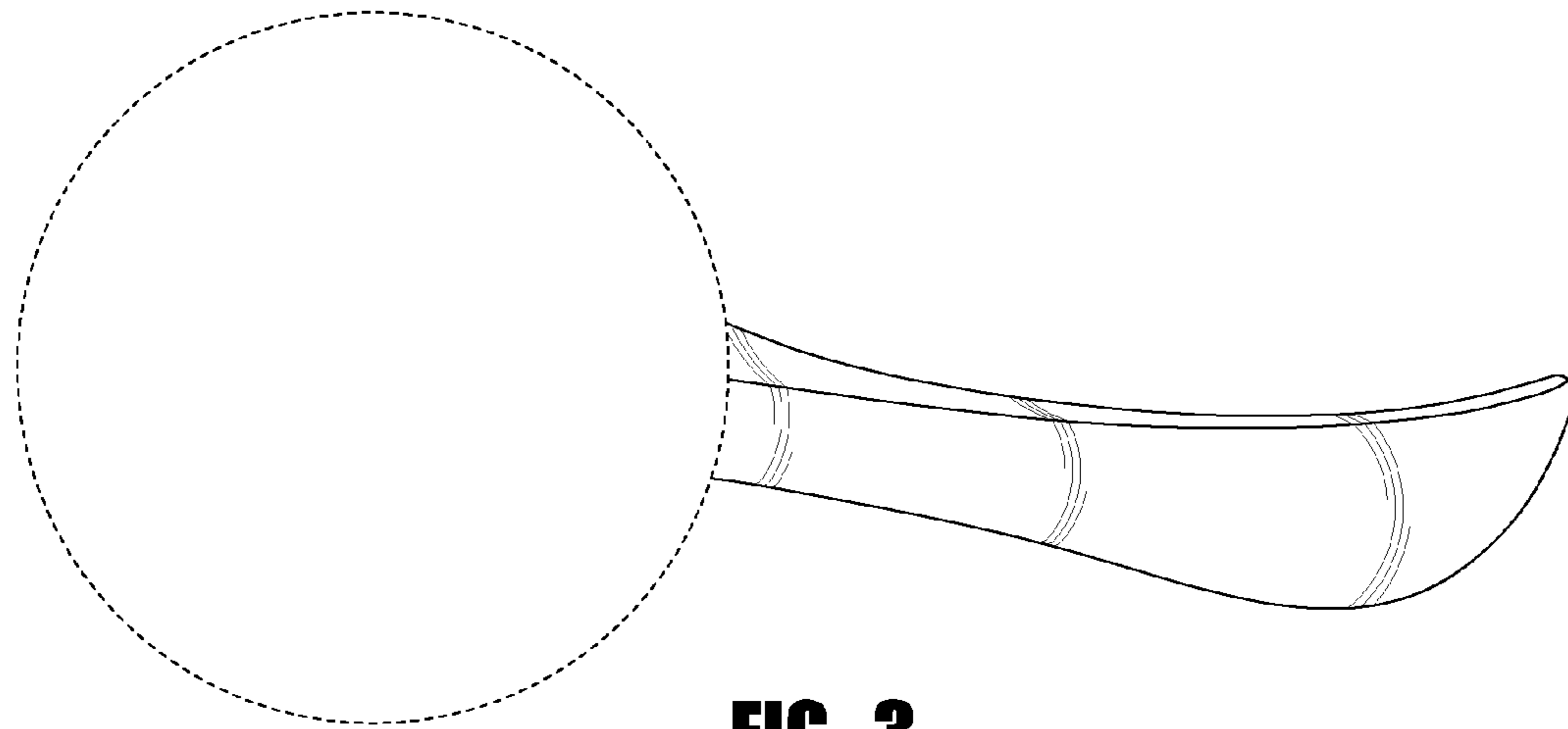


FIG. 3

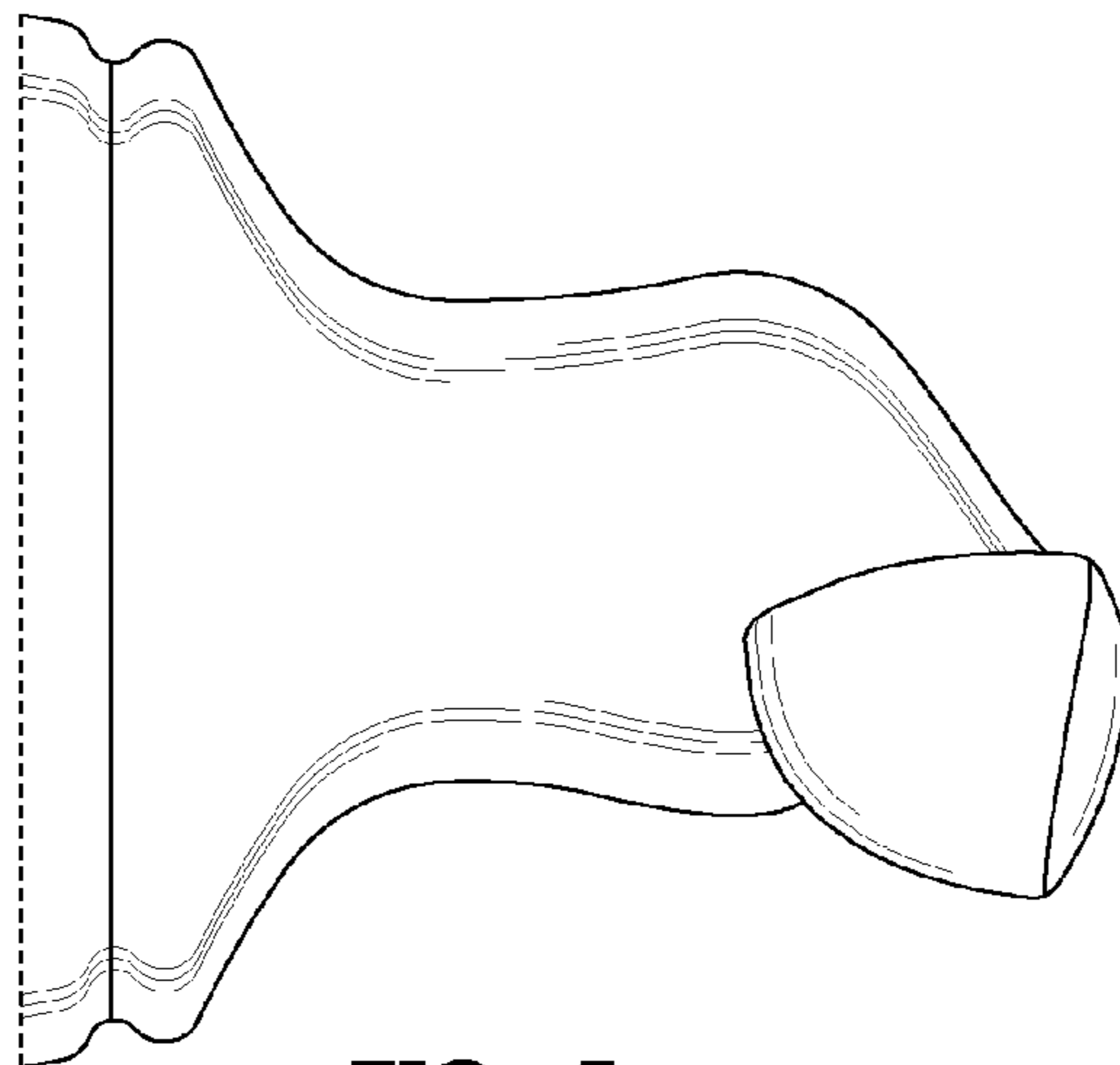


FIG. 4

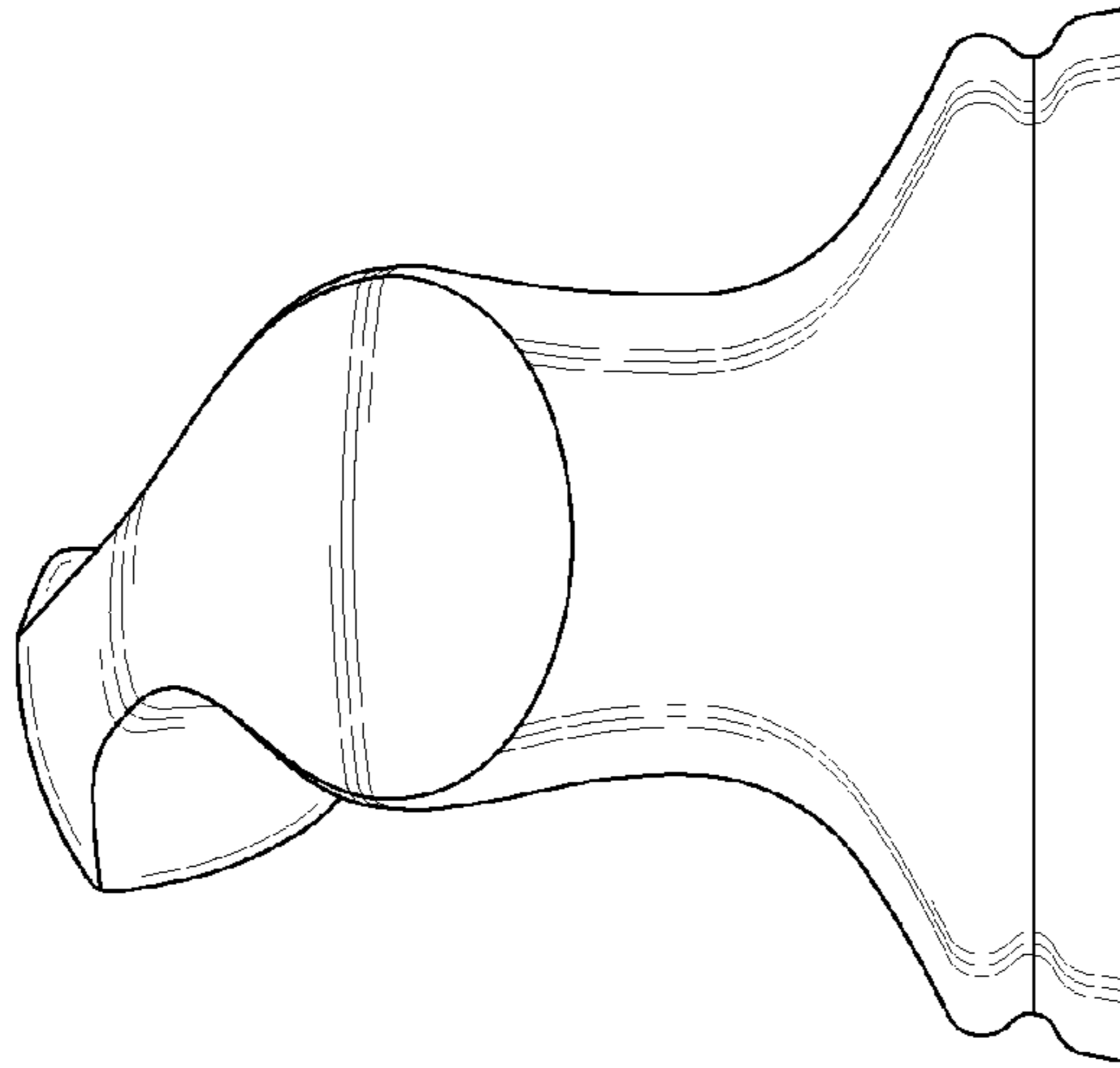


FIG. 5

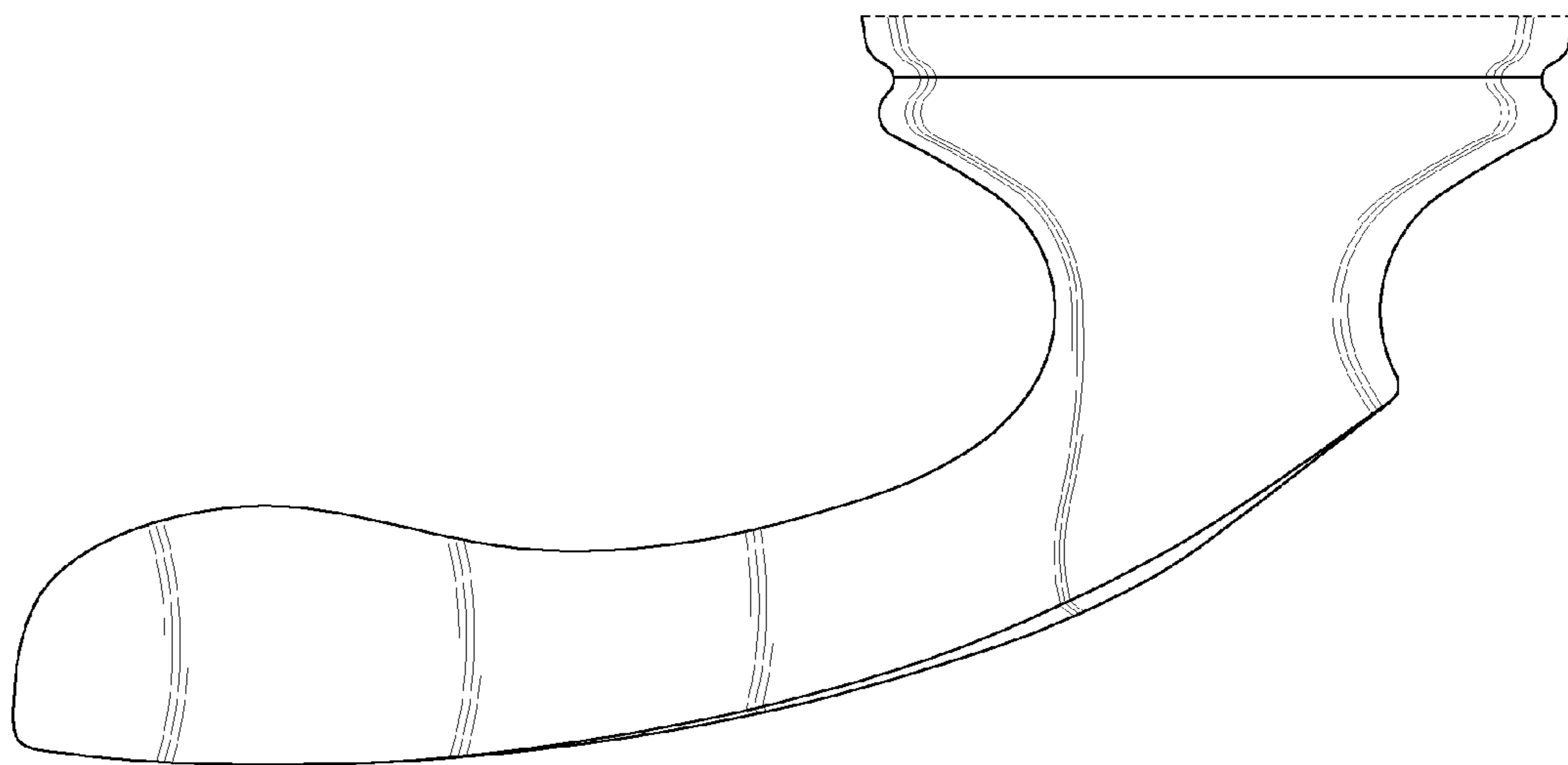


FIG. 6

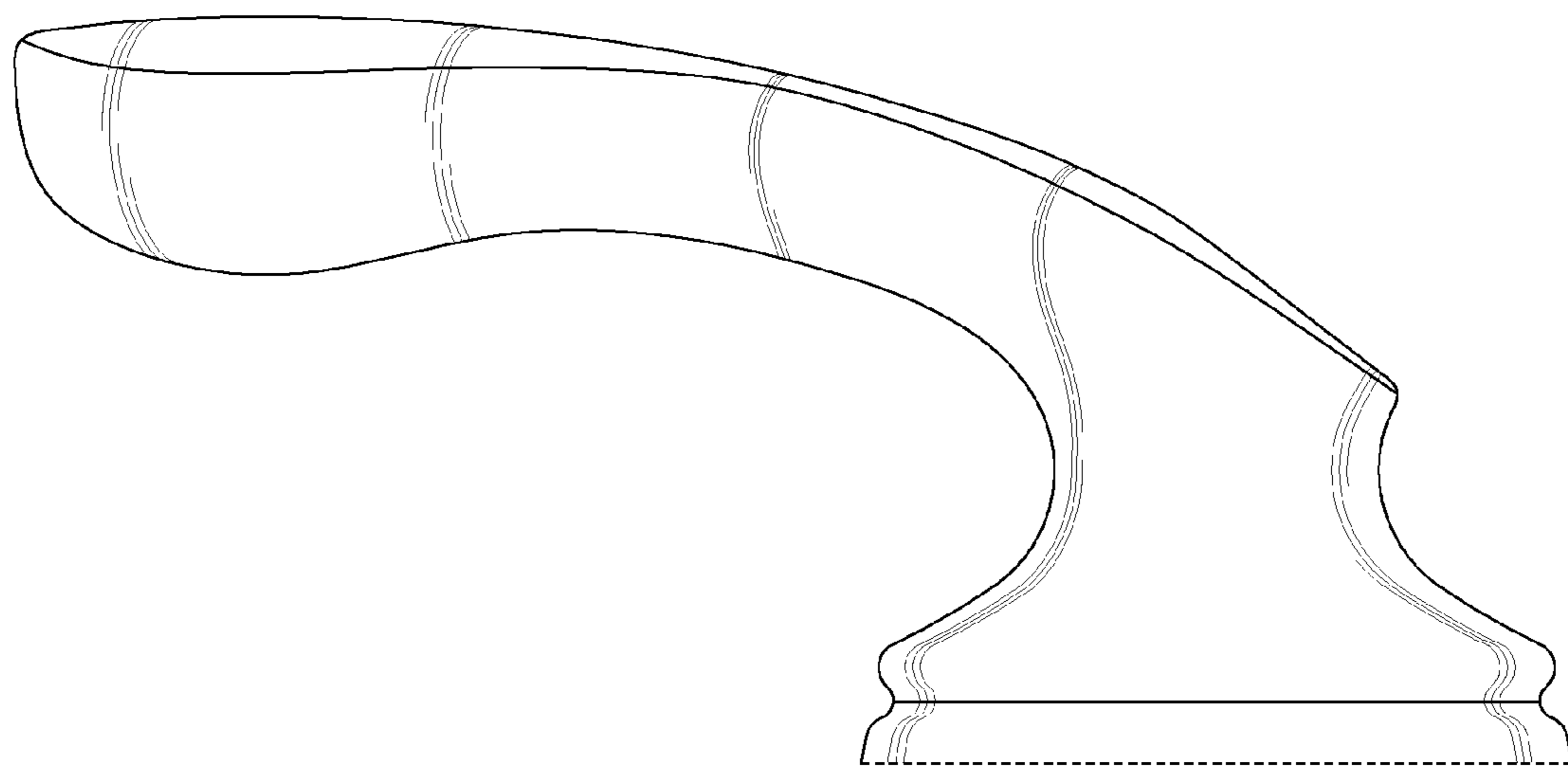


FIG. 7