



US00D627441S

(12) **United States Design Patent**
Sedwick

(10) **Patent No.:** **US D627,441 S**

(45) **Date of Patent:** **** Nov. 16, 2010**

(54) **LEVER**

(75) Inventor: **Jennifer P. Sedwick**, Lakewood, OH (US)

(73) Assignee: **Moen Incorporated**, North Olmsted, OH (US)

(**) Term: **14 Years**

(21) Appl. No.: **29/355,444**

(22) Filed: **Feb. 8, 2010**

(51) **LOC (9) Cl.** **23-01**

(52) **U.S. Cl.** **D23/252**

(58) **Field of Classification Search** D23/238–243,
D23/250, 252, 254; 4/676–677; D8/350–353,
D8/308; 137/350–353

See application file for complete search history.

(56) **References Cited**

U.S. PATENT DOCUMENTS

D303,140 S	8/1989	Robbins	
D315,858 S *	4/1991	Frattini D8/308
D317,495 S	6/1991	Kohler, Jr. et al.	
D319,294 S	8/1991	Kohler, Jr. et al.	
D322,839 S	12/1991	Kohler, Jr.	
D335,811 S	5/1993	Bengtson et al.	
D357,730 S	4/1995	Saperstein	
D364,216 S	11/1995	Hill et al.	
D373,179 S	8/1996	Sieger	
D434,471 S	11/2000	Jorger	
D436,653 S	1/2001	Lefroy-Brooks	
D461,535 S	8/2002	Antoniello et al.	
D465,557 S	11/2002	Antoniello et al.	
D466,982 S	12/2002	Gerlach	

D474,957 S	5/2003	Singtoroj et al.	
D509,126 S *	9/2005	Vilallonga Kirovac D8/308
D510,612 S	10/2005	Lammel et al.	
D513,789 S	1/2006	Kosasih	
D513,791 S	1/2006	Kosasih	
D517,171 S	3/2006	Shieh	
D517,661 S	3/2006	Wolf	
D522,099 S	5/2006	Fritz	
D531,278 S	10/2006	Tsai	
D538,403 S	3/2007	Sallick et al.	
D568,447 S	5/2008	Lai	
D579,525 S	10/2008	Zhang	
D580,522 S *	11/2008	Zhang D23/250
D580,523 S	11/2008	Hanna	

* cited by examiner

Primary Examiner—Robert A Delehanty

(74) *Attorney, Agent, or Firm*—Calfee, Halter & Griswold LLP

(57) **CLAIM**

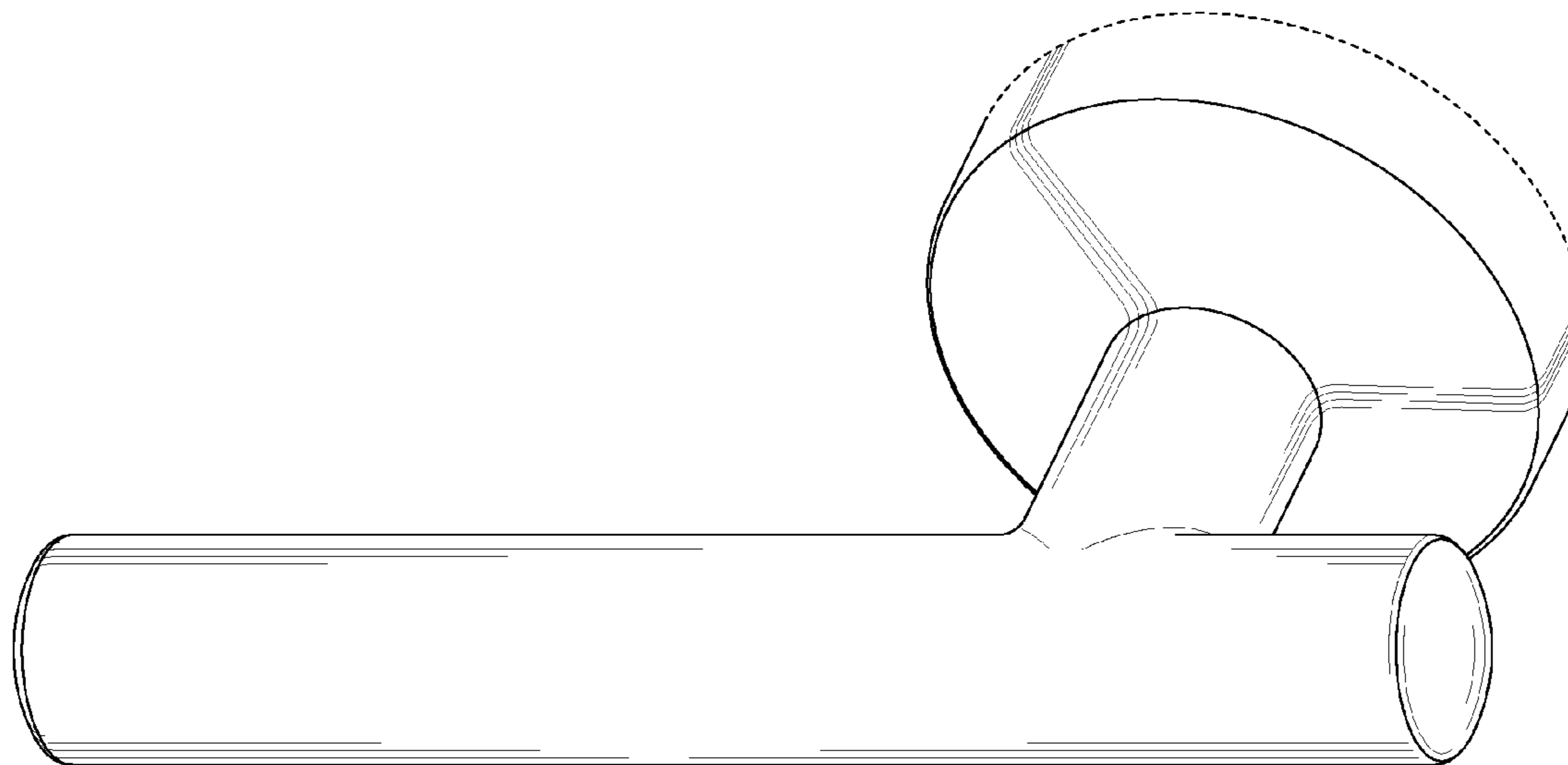
The ornamental design for a lever, as shown and described.

DESCRIPTION

FIG. 1 is a perspective view of a lever of the new design; FIG. 2 is a front elevational view of the lever of FIG. 1; FIG. 3 is a rear elevational view of the lever of FIG. 1; FIG. 4 is a left side elevational view of the lever of FIG. 1, the right side elevational view being a mirror image thereof; and, FIG. 5 is a top plan view of the lever of FIG. 1, the bottom plan view being a mirror image thereof.

The portions of the Figures shown in broken lines are not part of the claimed design and are for illustration only.

1 Claim, 3 Drawing Sheets



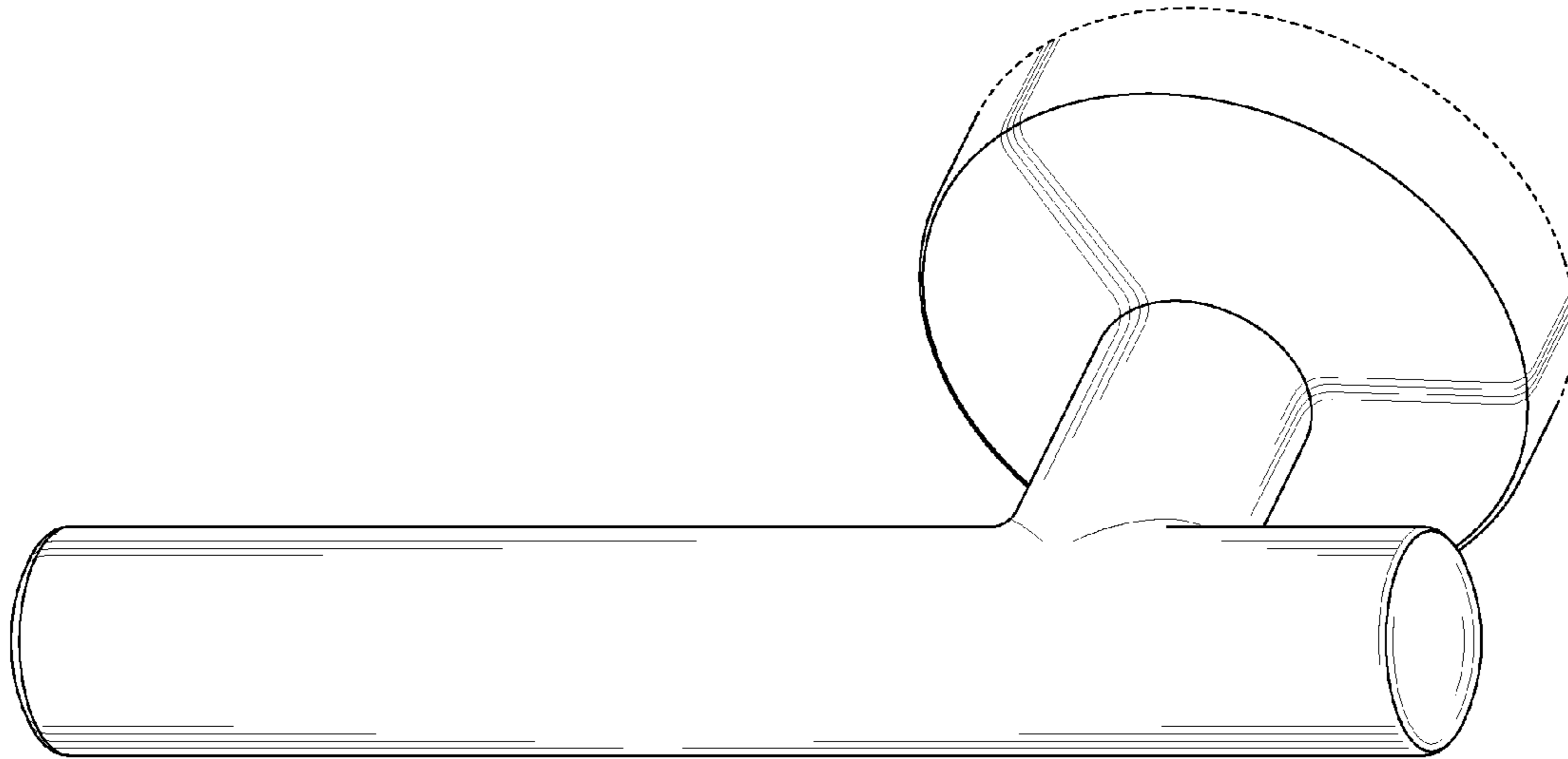


FIG. 1

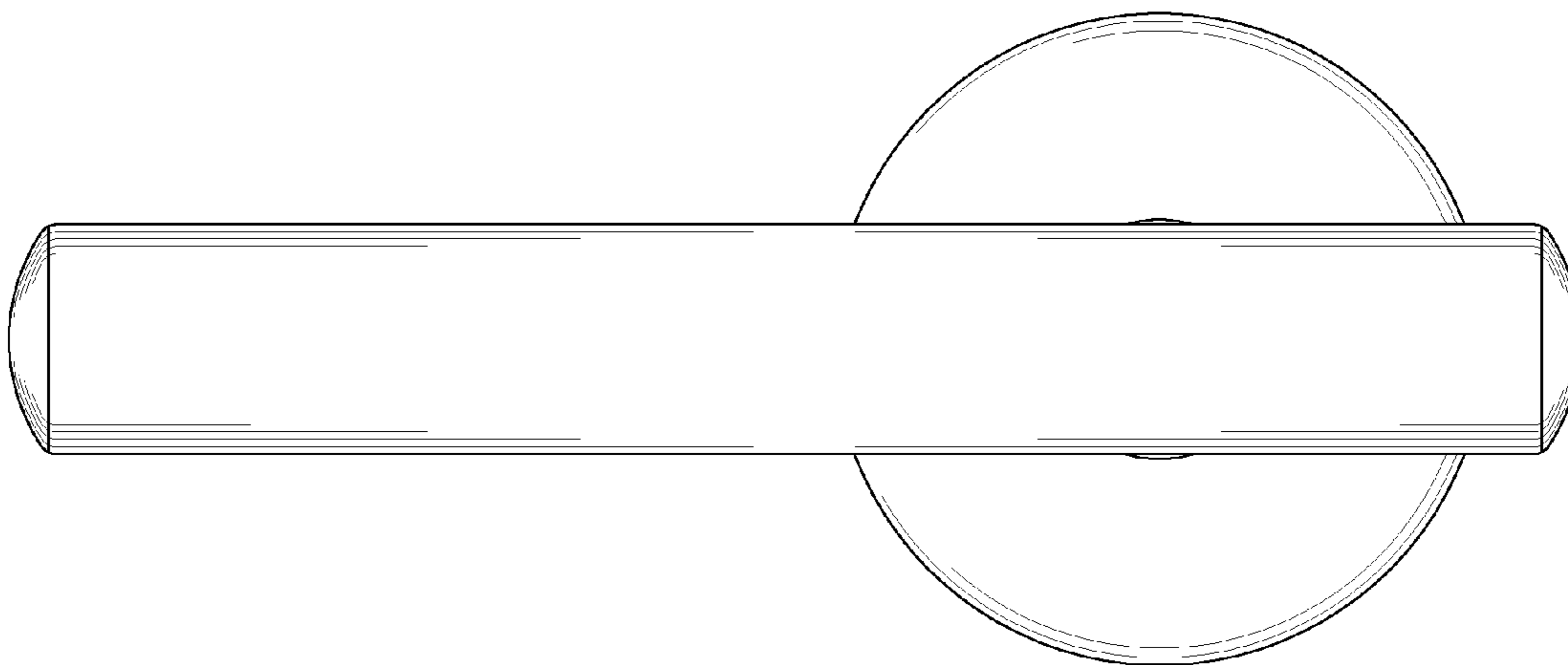


FIG. 2

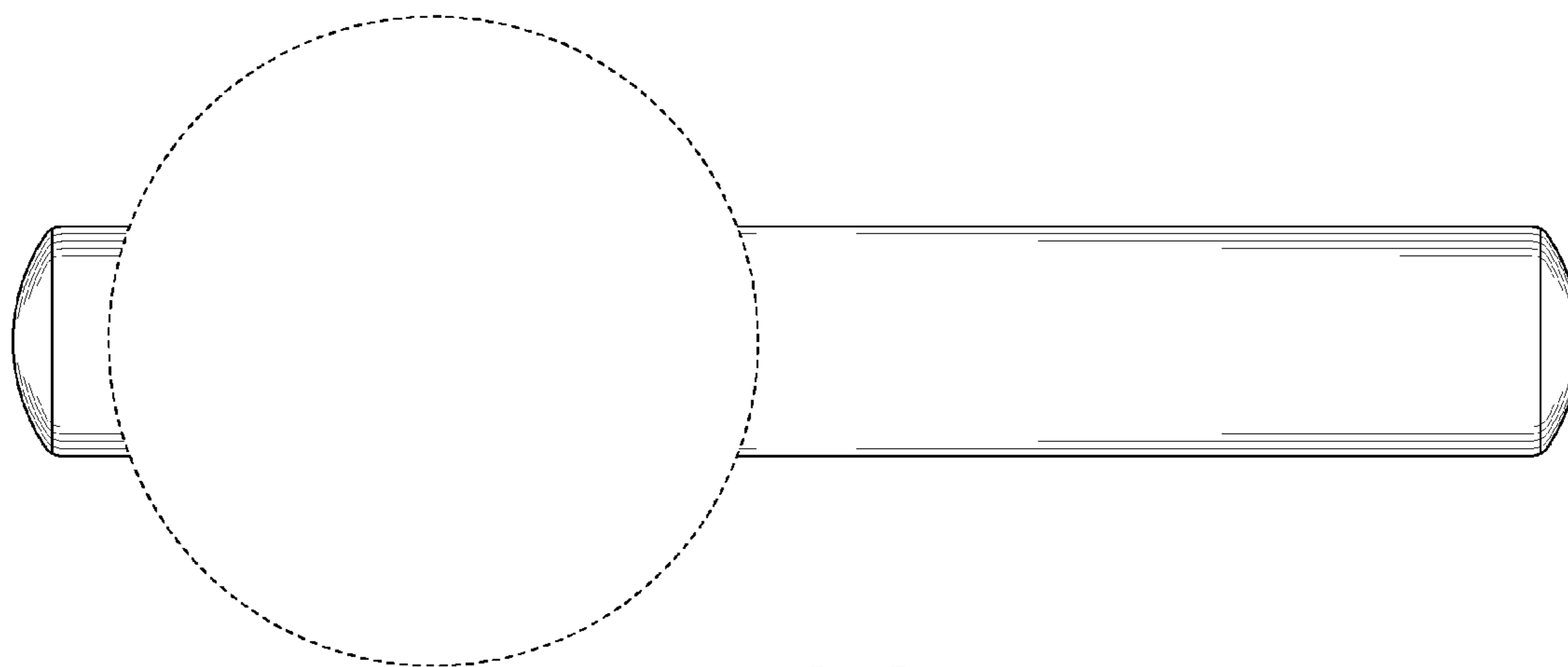


FIG. 3

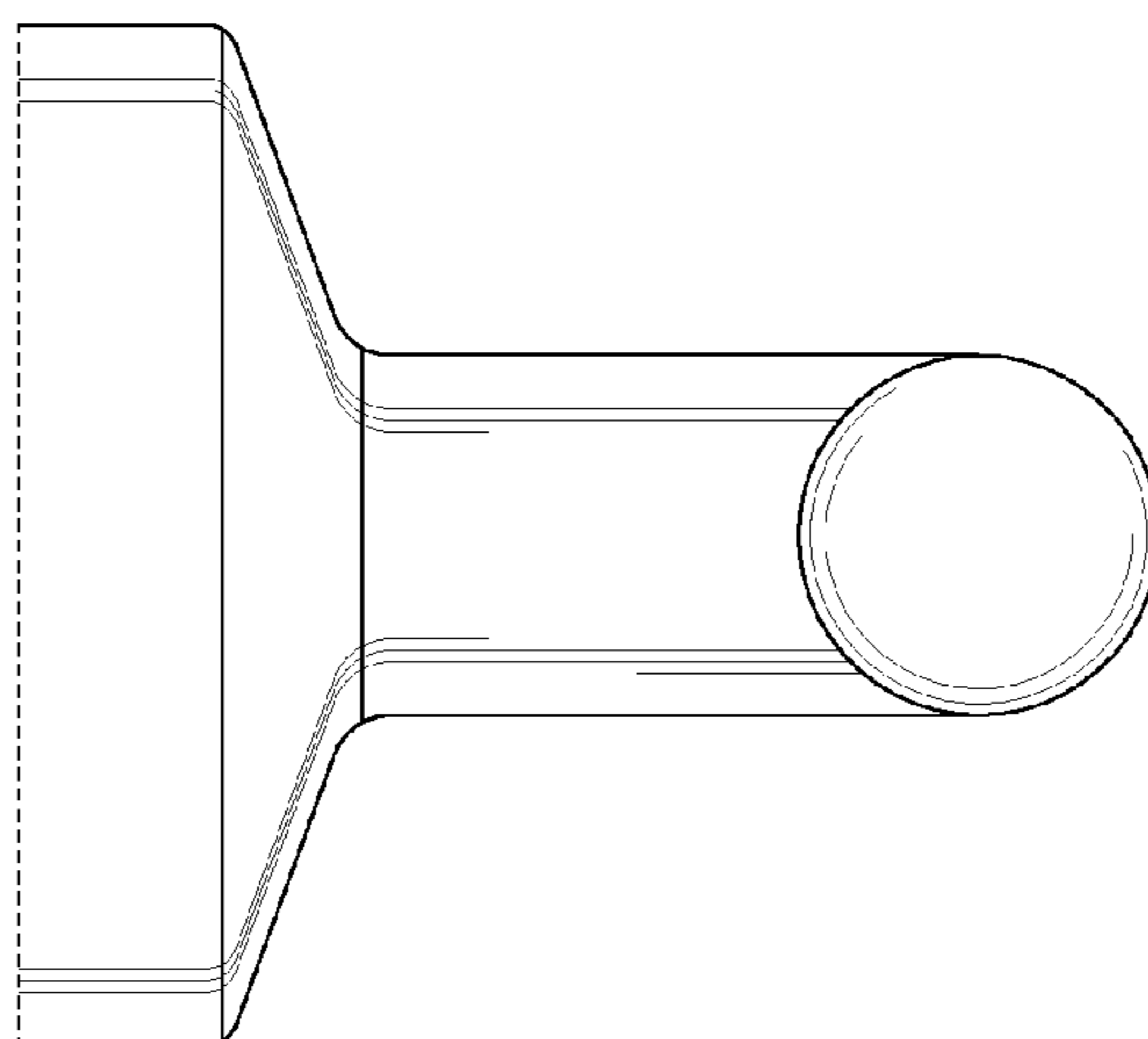


FIG. 4

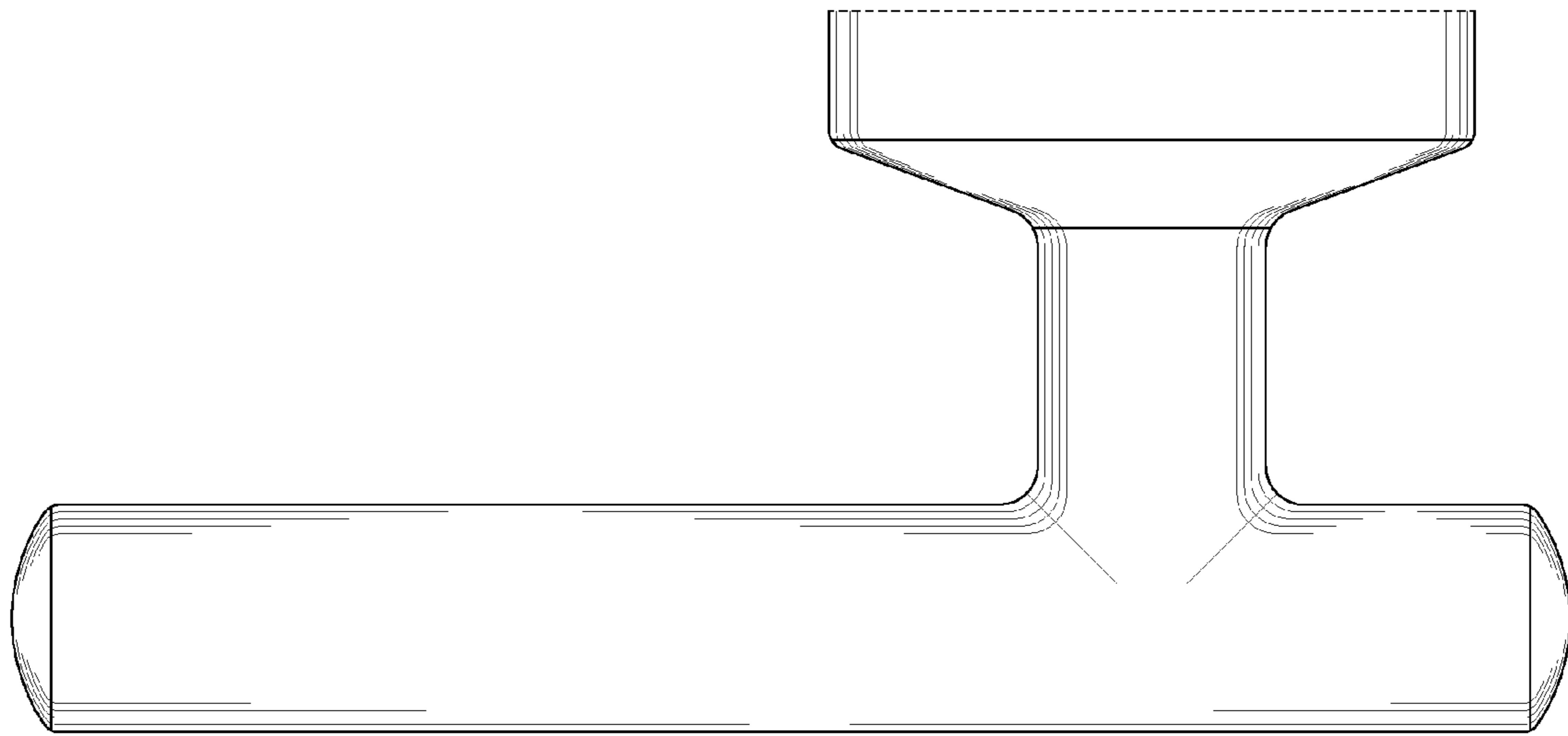


FIG. 5