



US00D627440S

(12) **United States Design Patent**
Sedwick

(10) **Patent No.:** **US D627,440 S**

(45) **Date of Patent:** **** Nov. 16, 2010**

(54) **LEVER**

(75) Inventor: **Jennifer P. Sedwick**, Lakewood, OH
(US)

(73) Assignee: **Moen Incorporated**, North Olmsted,
OH (US)

(**) Term: **14 Years**

(21) Appl. No.: **29/355,442**

(22) Filed: **Feb. 8, 2010**

(51) **LOC (9) Cl.** **23-01**

(52) **U.S. Cl.** **D23/252**

(58) **Field of Classification Search** D23/238–243,
D23/250, 252, 254; 4/676–677; D8/350–353,
D8/308; 137/350–353

See application file for complete search history.

(56) **References Cited**

U.S. PATENT DOCUMENTS

D276,259 S	11/1984	Miller	
D327,531 S	6/1992	Ko	
D329,009 S	* 9/1992	Marques D8/308
D332,824 S	1/1993	Robbins	
D349,330 S	8/1994	Sauter et al.	
D371,826 S	7/1996	Robbins	
D382,330 S	8/1997	Doughty et al.	
D448,065 S	9/2001	Pitsch et al.	
D472,610 S	4/2003	Marshall	
D472,964 S	4/2003	Marshall	
D474,259 S	5/2003	Marshall	
D475,764 S	6/2003	Singtoroj	
D477,860 S	7/2003	Singtoroj	
D512,768 S	12/2005	Ouyoung	
D527,803 S	9/2006	Chu et al.	

D569,952 S	5/2008	Yuan	
D570,962 S	6/2008	Dolan	
D571,896 S	6/2008	Hanna	
D573,228 S	* 7/2008	Hsieh D23/238
D579,083 S	10/2008	Bickler et al.	
D579,523 S	* 10/2008	Montgomery et al. D23/250
D579,524 S	10/2008	Bickler et al.	
D583,020 S	12/2008	Downey	
D585,527 S	1/2009	Schoenherr et al.	
D587,344 S	2/2009	Schoenherr et al.	
D588,236 S	3/2009	Schoenherr et al.	
D594,730 S	6/2009	Sedwick	
D596,715 S	7/2009	Haug et al.	
D598,984 S	8/2009	Corbett	

* cited by examiner

Primary Examiner—Robert A Delehanty

(74) *Attorney, Agent, or Firm*—Calfee, Halter & Griswold
LLP

(57) **CLAIM**

The ornamental design for a lever, as shown and described.

DESCRIPTION

FIG. 1 is a perspective view of a lever of the new design;

FIG. 2 is a front elevational view of the lever of FIG. 1;

FIG. 3 is a rear elevational view of the lever of FIG. 1;

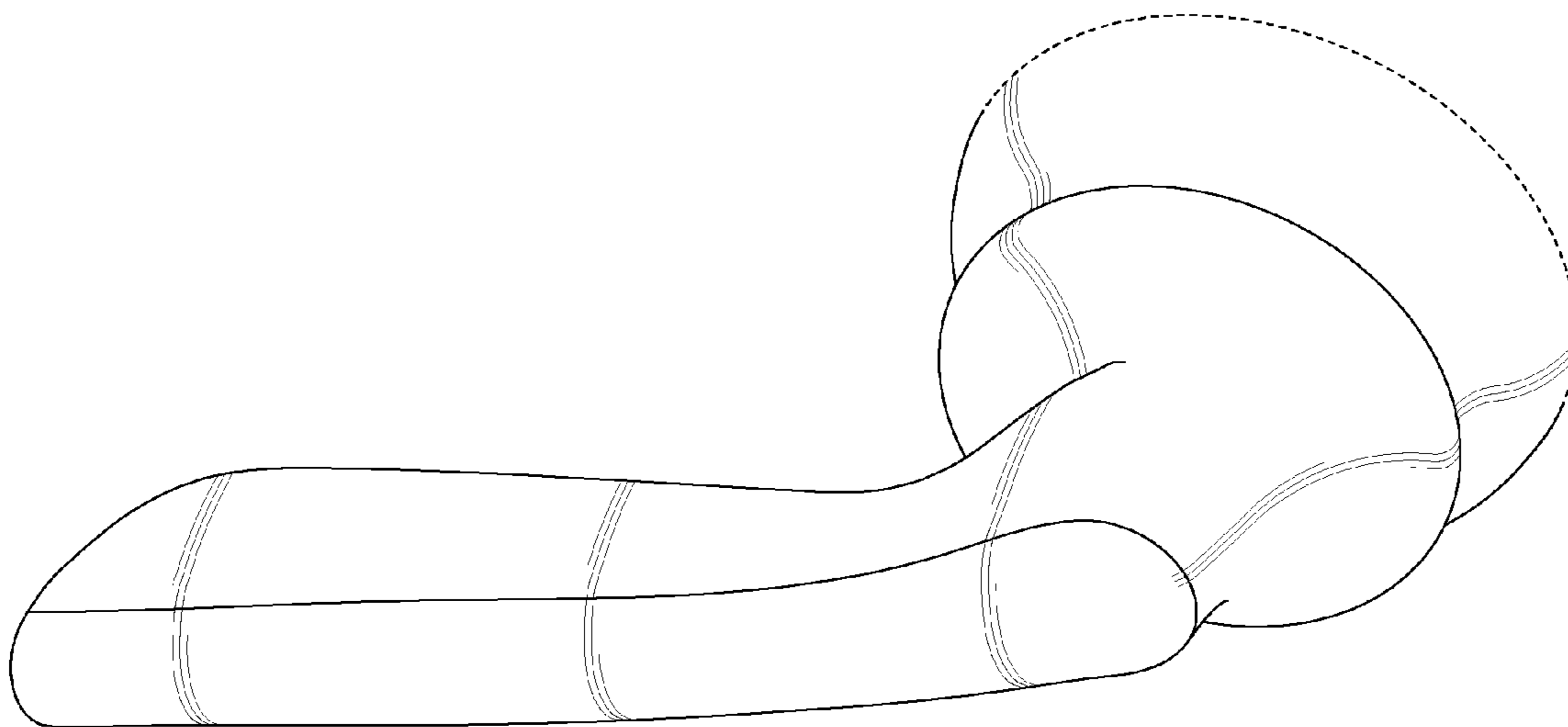
FIG. 4 is a left side elevational view of the lever of FIG. 1;

FIG. 5 is a right side elevational view of the lever of FIG. 1;
and,

FIG. 6 is a top plan view of the lever of FIG. 1, the bottom plan
view being a mirror image thereof.

The portions of the Figures shown in broken lines are not part
of the claimed design and are for illustration only.

1 Claim, 3 Drawing Sheets



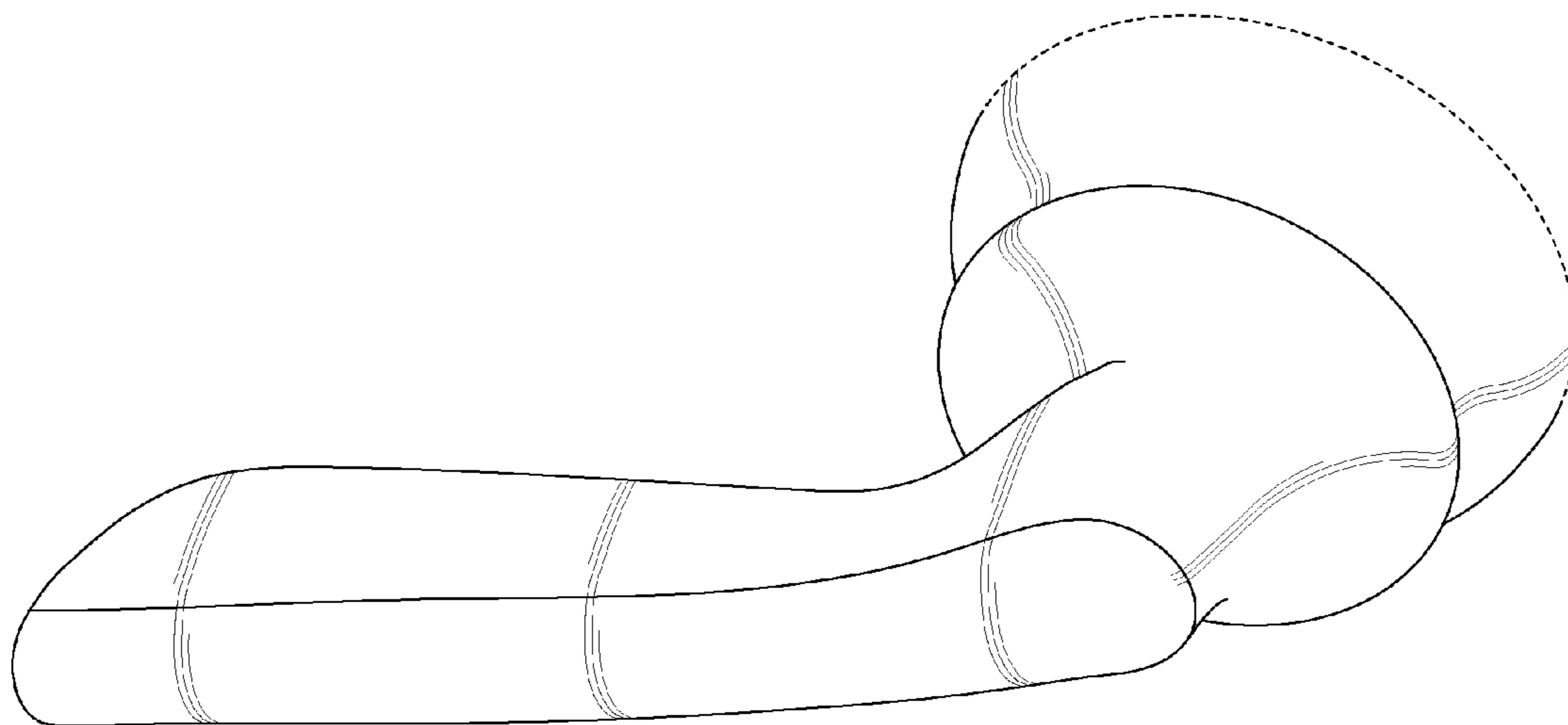


FIG. 1

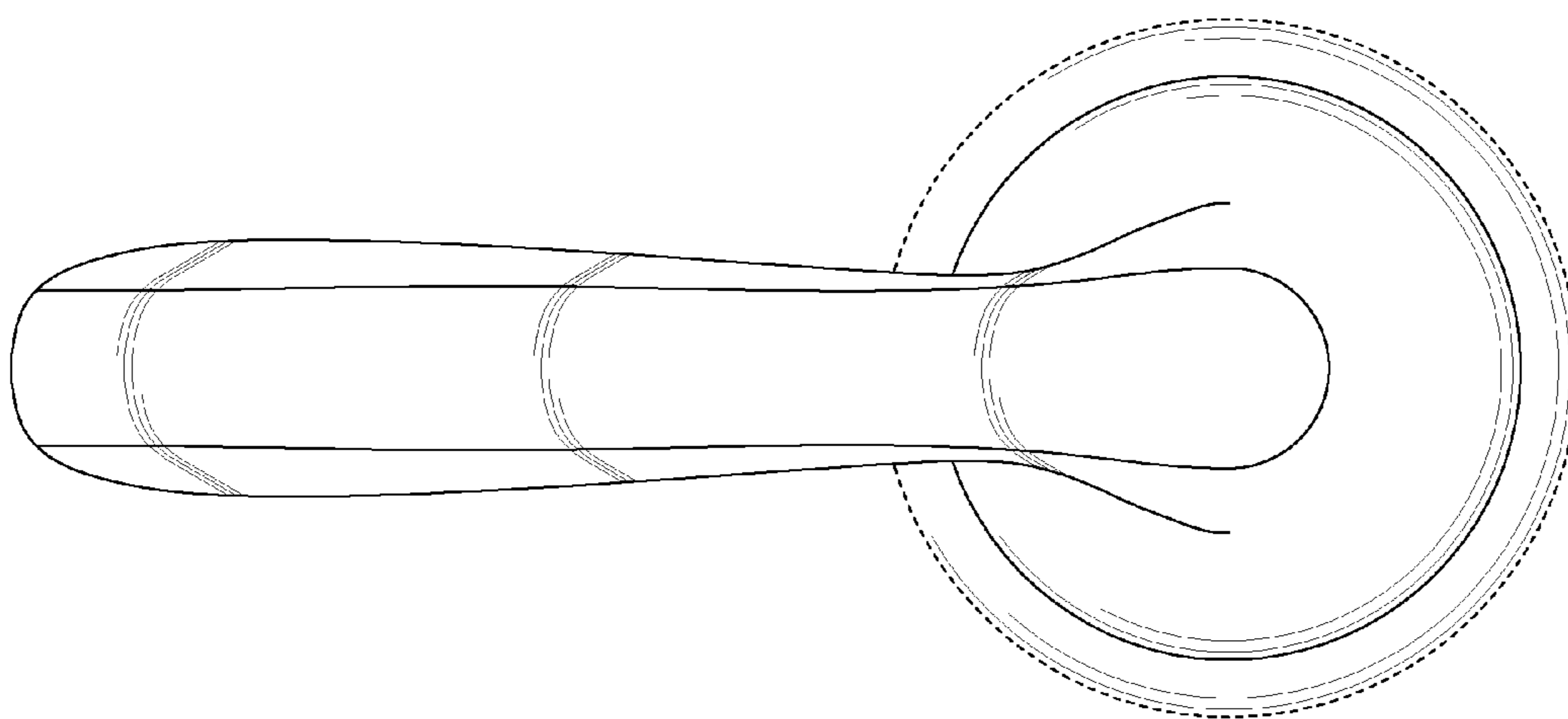


FIG. 2

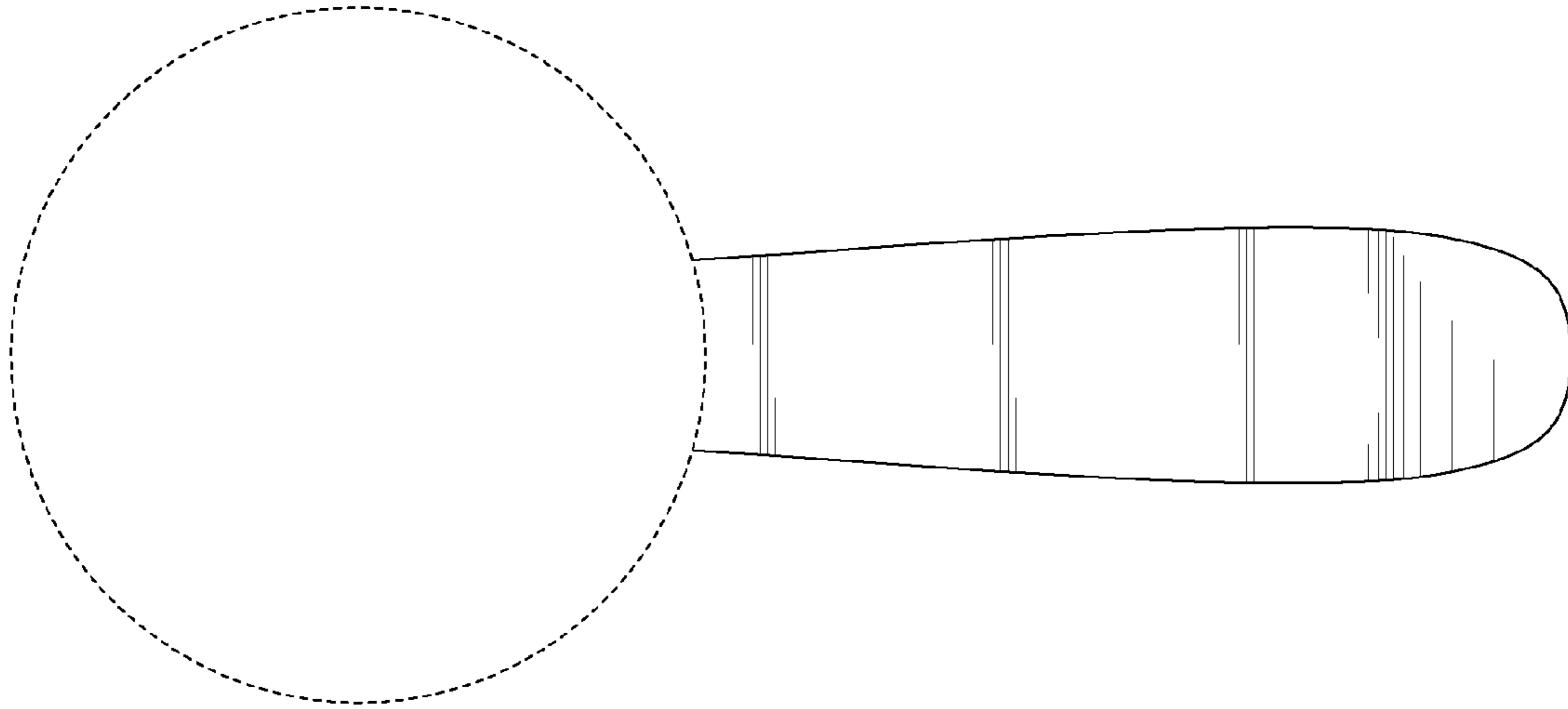


FIG. 3

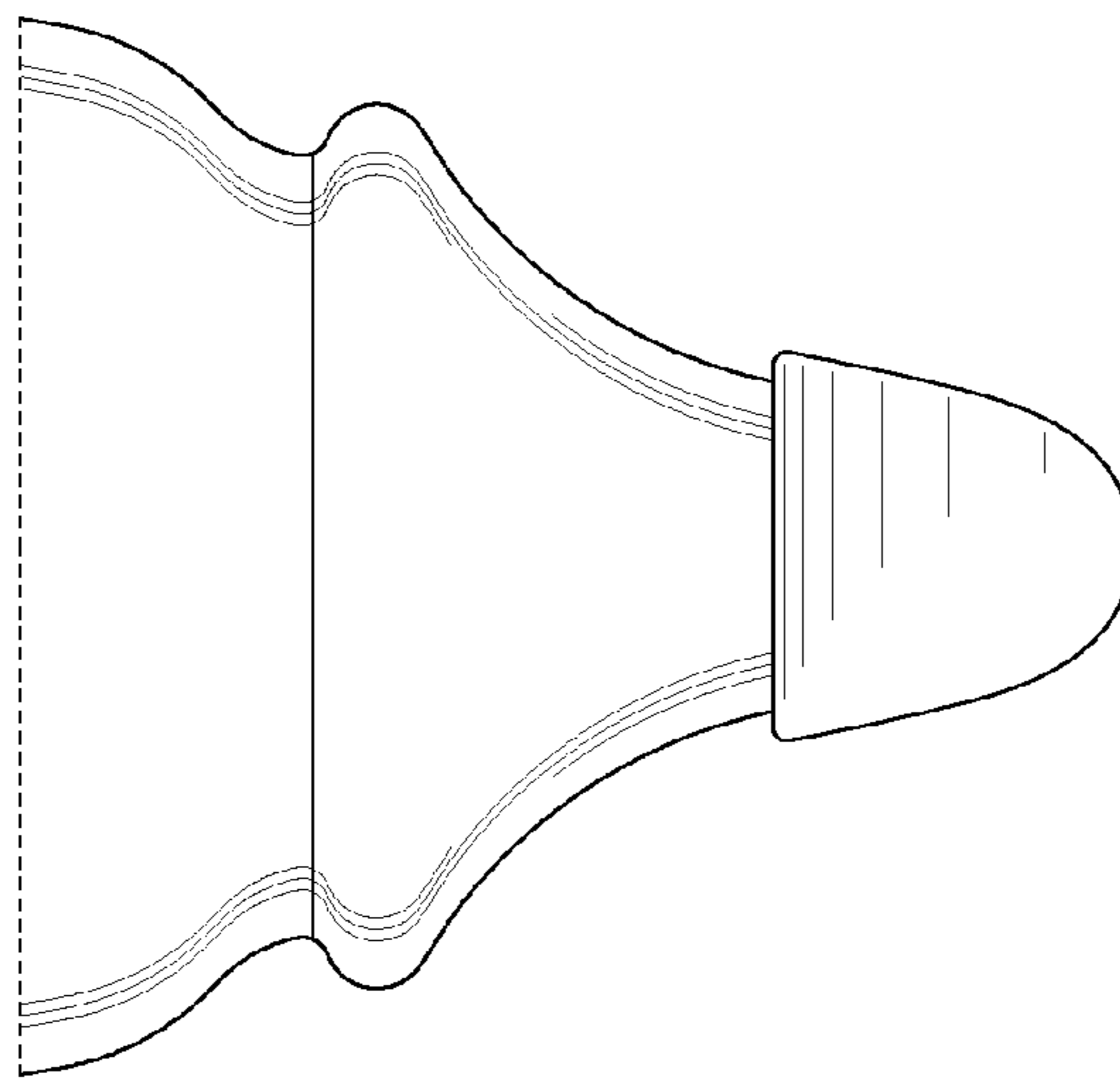


FIG. 4

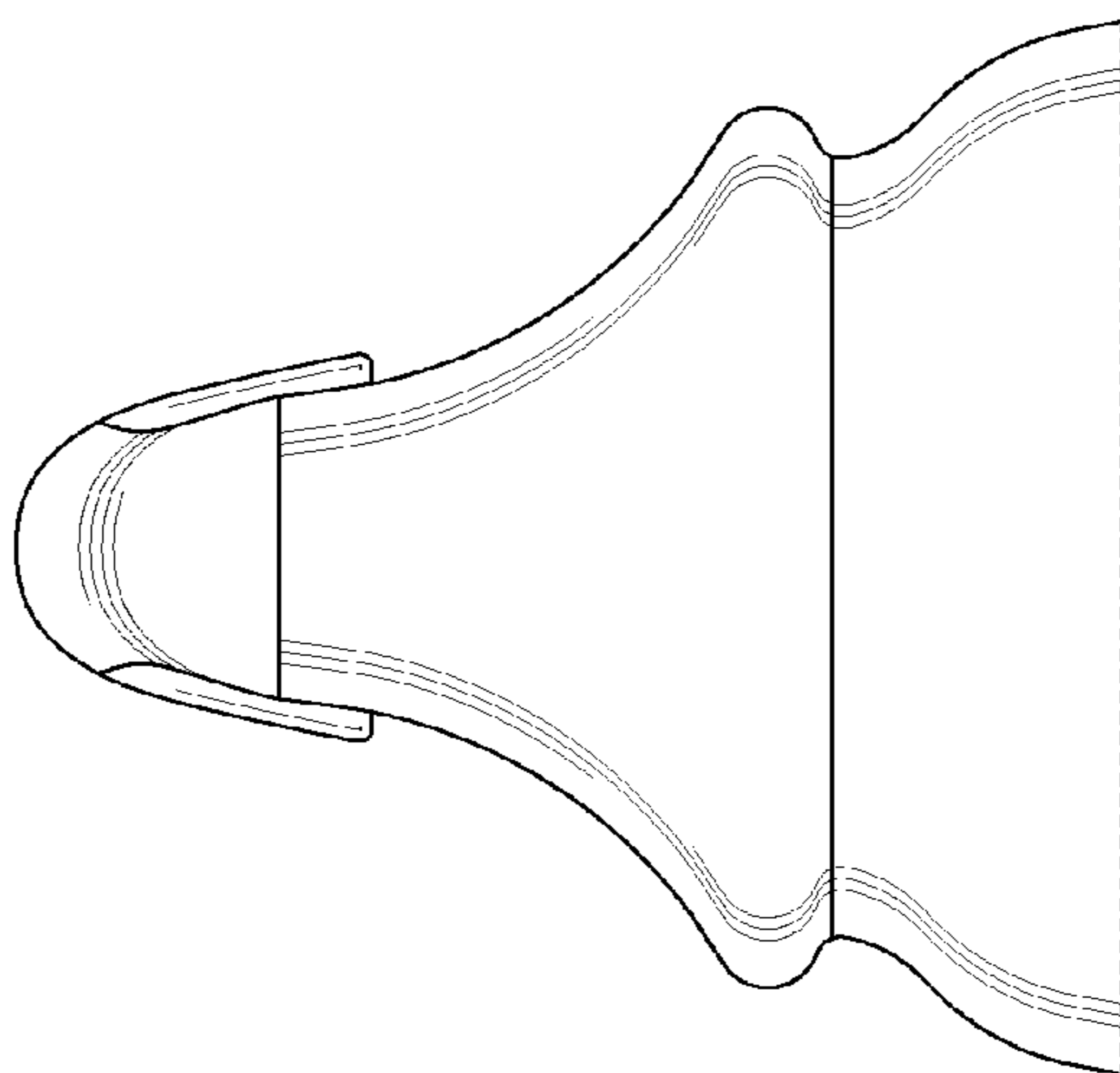


FIG. 5

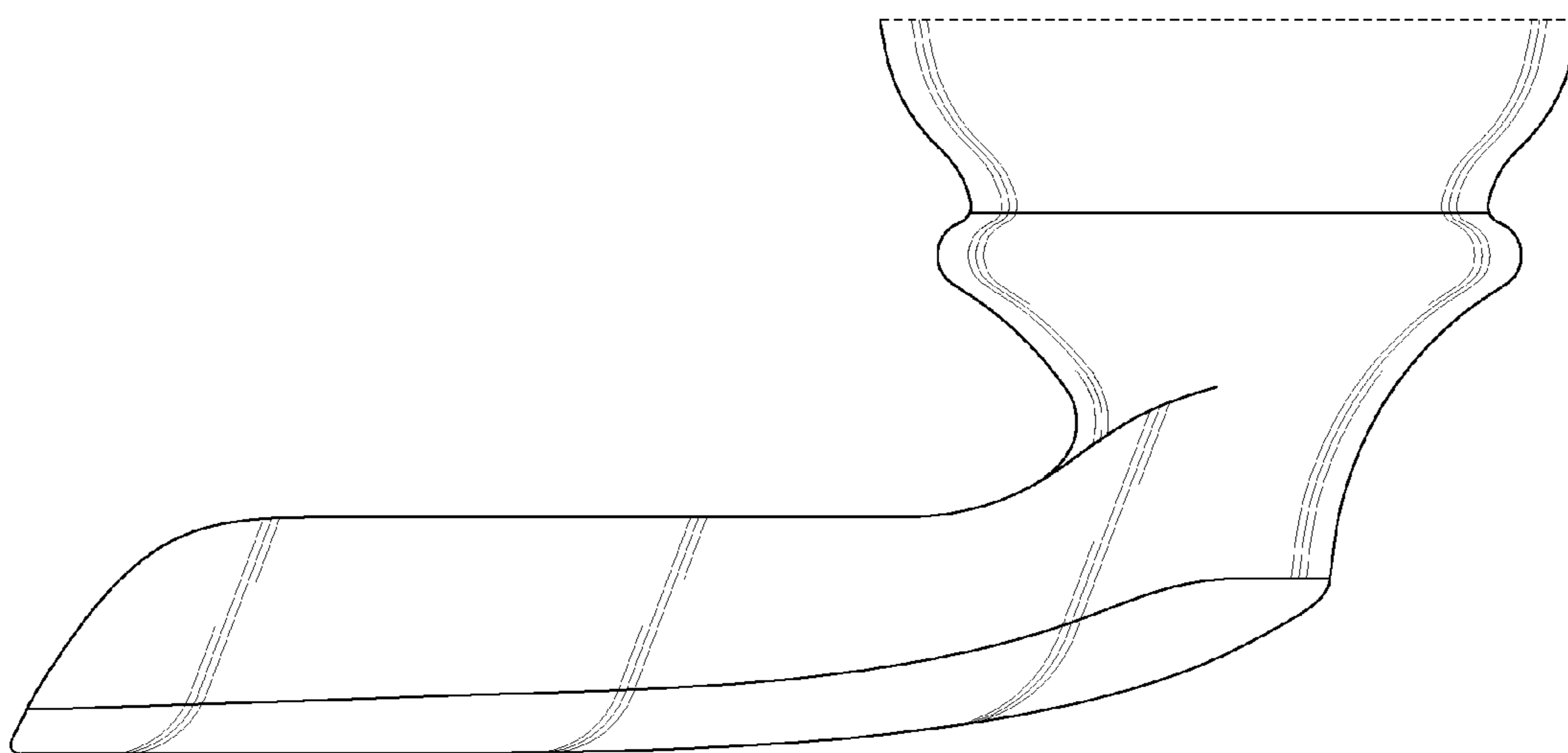


FIG. 6