



US00D627439S

(12) **United States Design Patent**
Mazzacano et al.

(10) **Patent No.:** **US D627,439 S**

(45) **Date of Patent:** **** Nov. 16, 2010**

(54) **HANDLE GRIP FOR VALVE**

(75) Inventors: **Corrado Mazzacano**, Genoa (IT);
Andrea Bisio, Genoa (IT)

(73) Assignee: **F.I.P. Formatura Iniezione Polimeri**
S.p.A., Casella, Genoa (IT)

(**) Term: **14 Years**

(21) Appl. No.: **29/335,857**

(22) Filed: **Apr. 23, 2009**

(30) **Foreign Application Priority Data**

Oct. 27, 2008 (EM) 001028161

(51) **LOC (9) Cl.** **23-01**

(52) **U.S. Cl.** **D23/252**

(58) **Field of Classification Search** D23/238-243,
D23/250, 252, 233, 235; 4/676; D8/300,
D8/307-308; 137/801; 16/110.1

See application file for complete search history.

(56) **References Cited**

U.S. PATENT DOCUMENTS

D192,592 S * 4/1962 Kawolics D23/252

D203,933 S * 3/1966 Griffith D8/308

D205,827 S * 9/1966 Plagenberg D23/238

D215,814 S * 11/1969 Kraus D8/308

D252,584 S * 8/1979 Raz D23/252

D345,006 S * 3/1994 Gallagher et al. D23/245

D346,739 S * 5/1994 Tinz D8/309

D522,618 S * 6/2006 Matsushita D23/245

D554,970 S * 11/2007 Hartkopf D8/308

* cited by examiner

Primary Examiner—Robert A Delehanty

(74) *Attorney, Agent, or Firm*—Shoemaker and Mattare

(57) **CLAIM**

The ornamental design for a handle grip for a valve, as shown and described.

DESCRIPTION

FIG. 1 is a perspective view of a handle grip for valve, showing our new design front the front, left side and above;

FIG. 2 is a left side elevational view thereof;

FIG. 3 is a right side elevational view thereof;

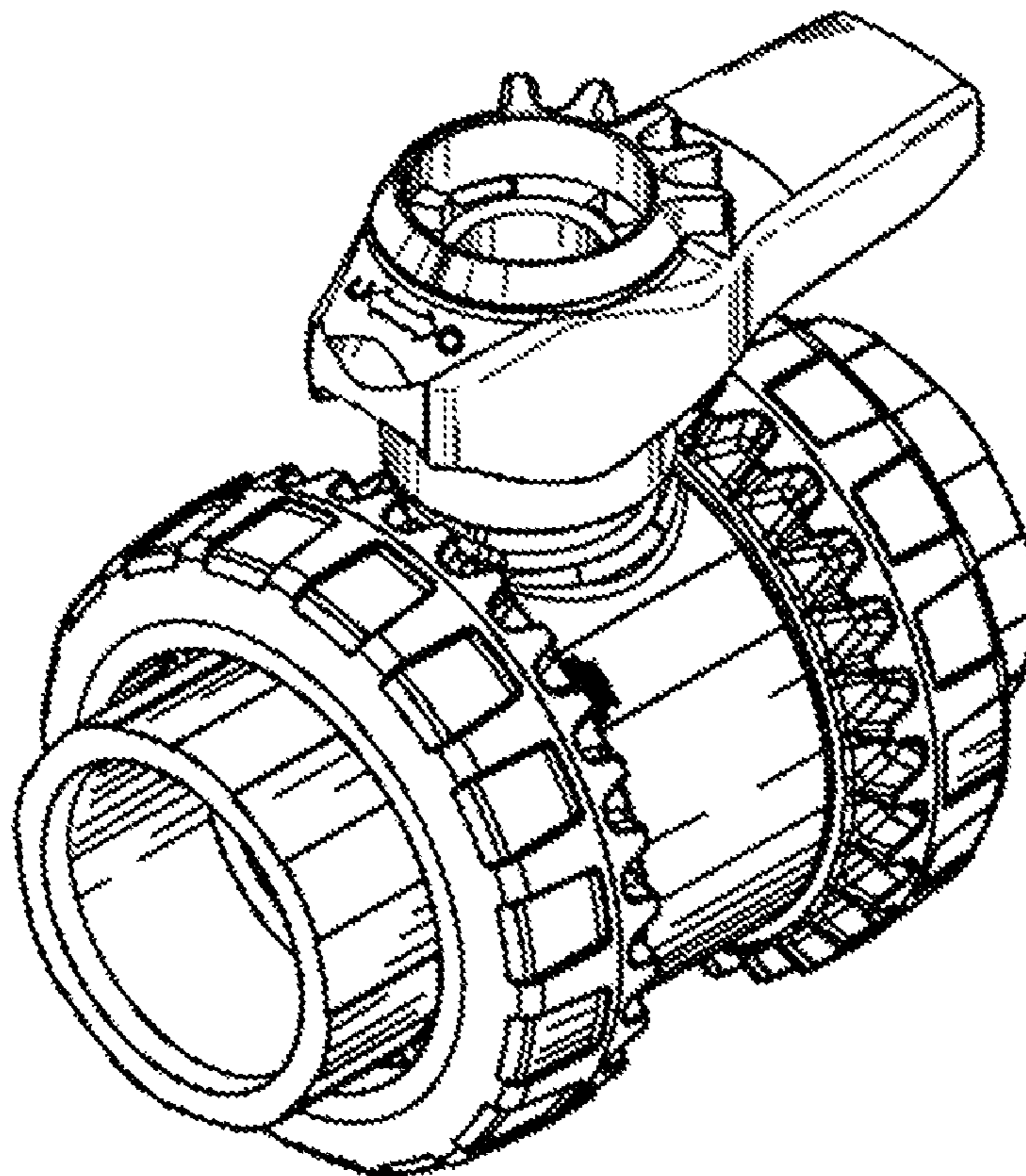
FIG. 4 is a front elevational view thereof;

FIG. 5 is a rear elevational view thereof;

FIG. 6 is a top plan view thereof; and,

FIG. 7 is a bottom plan view thereof.

1 Claim, 7 Drawing Sheets



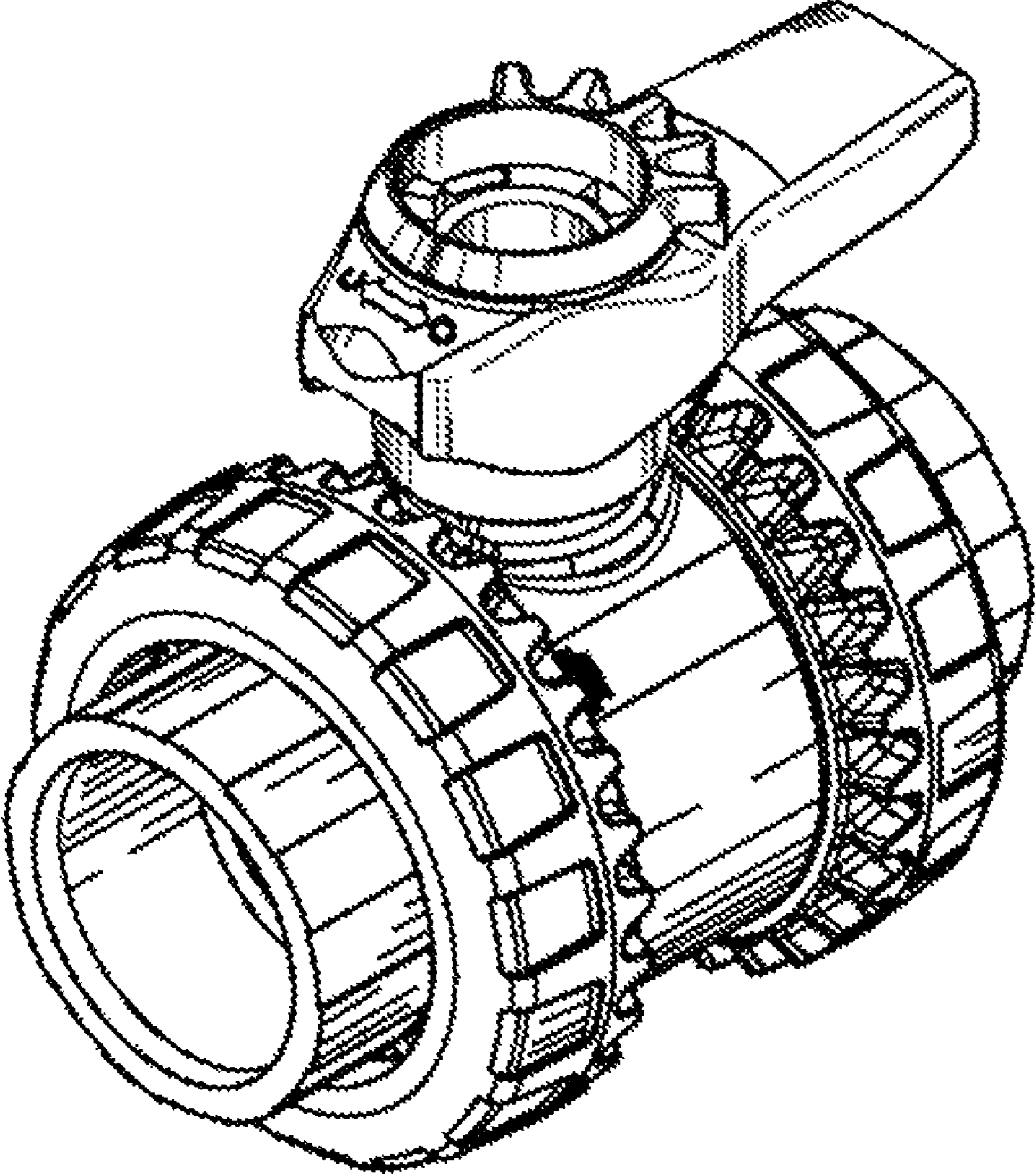


FIG. 1

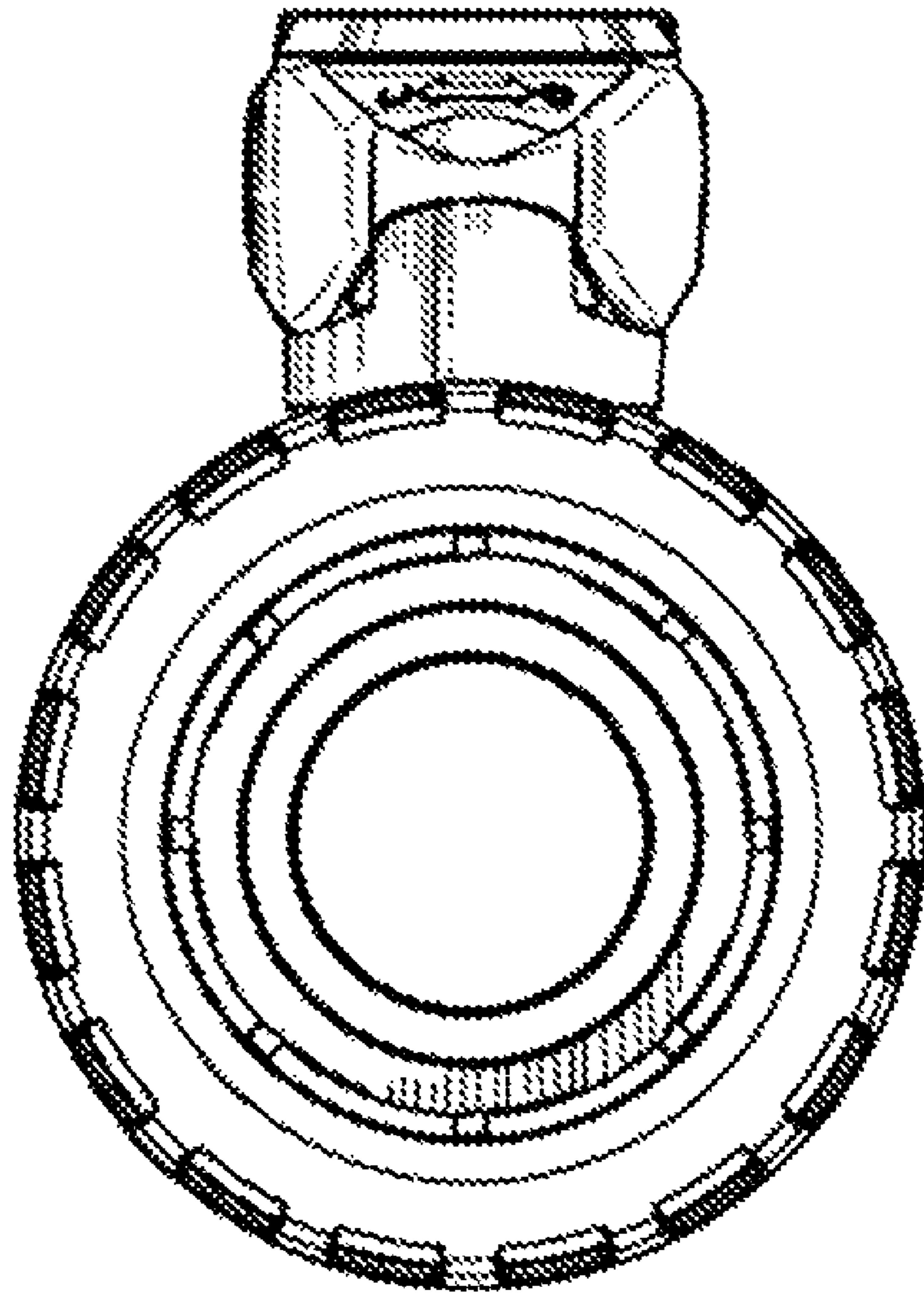


FIG. 2

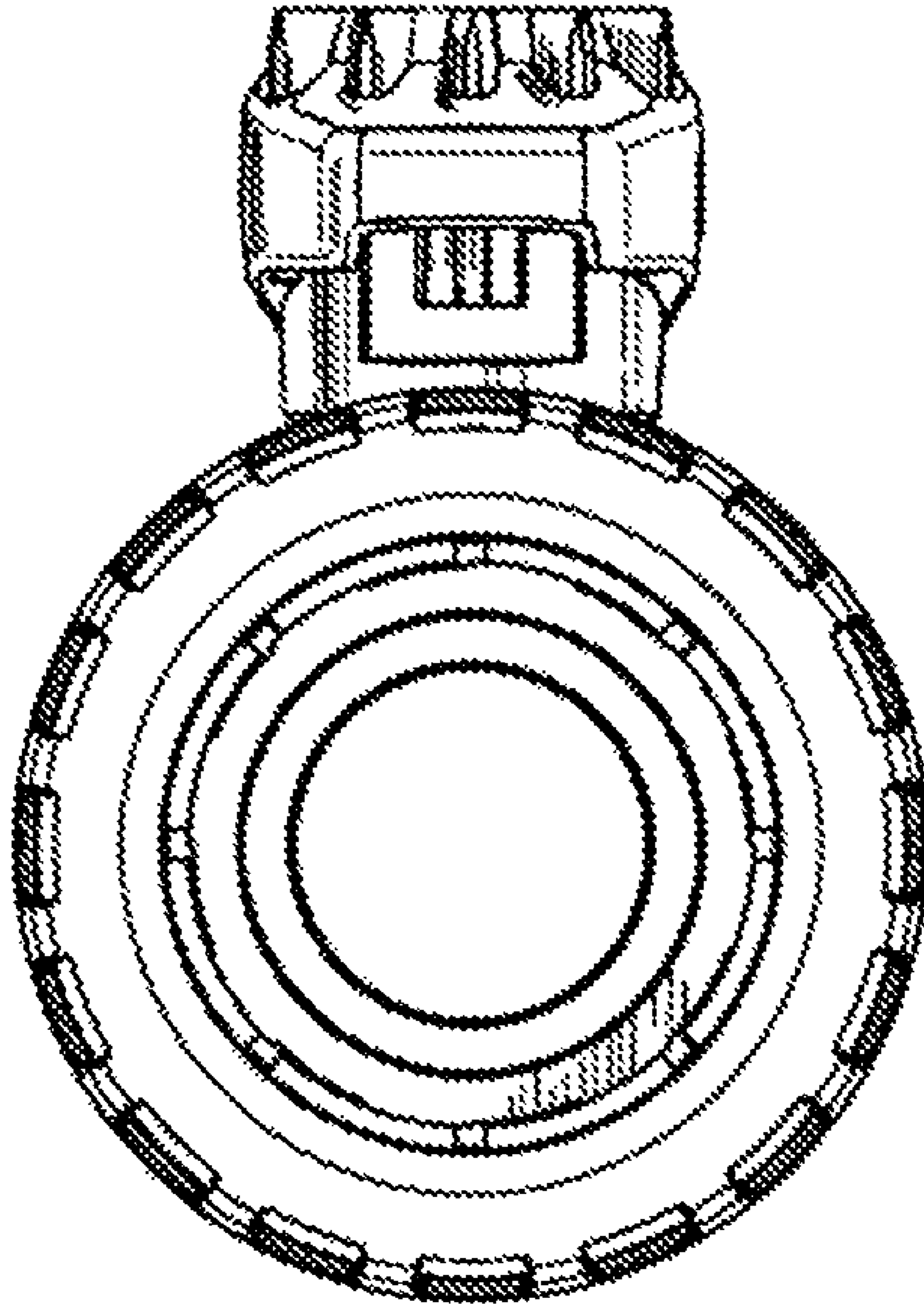


FIG. 3

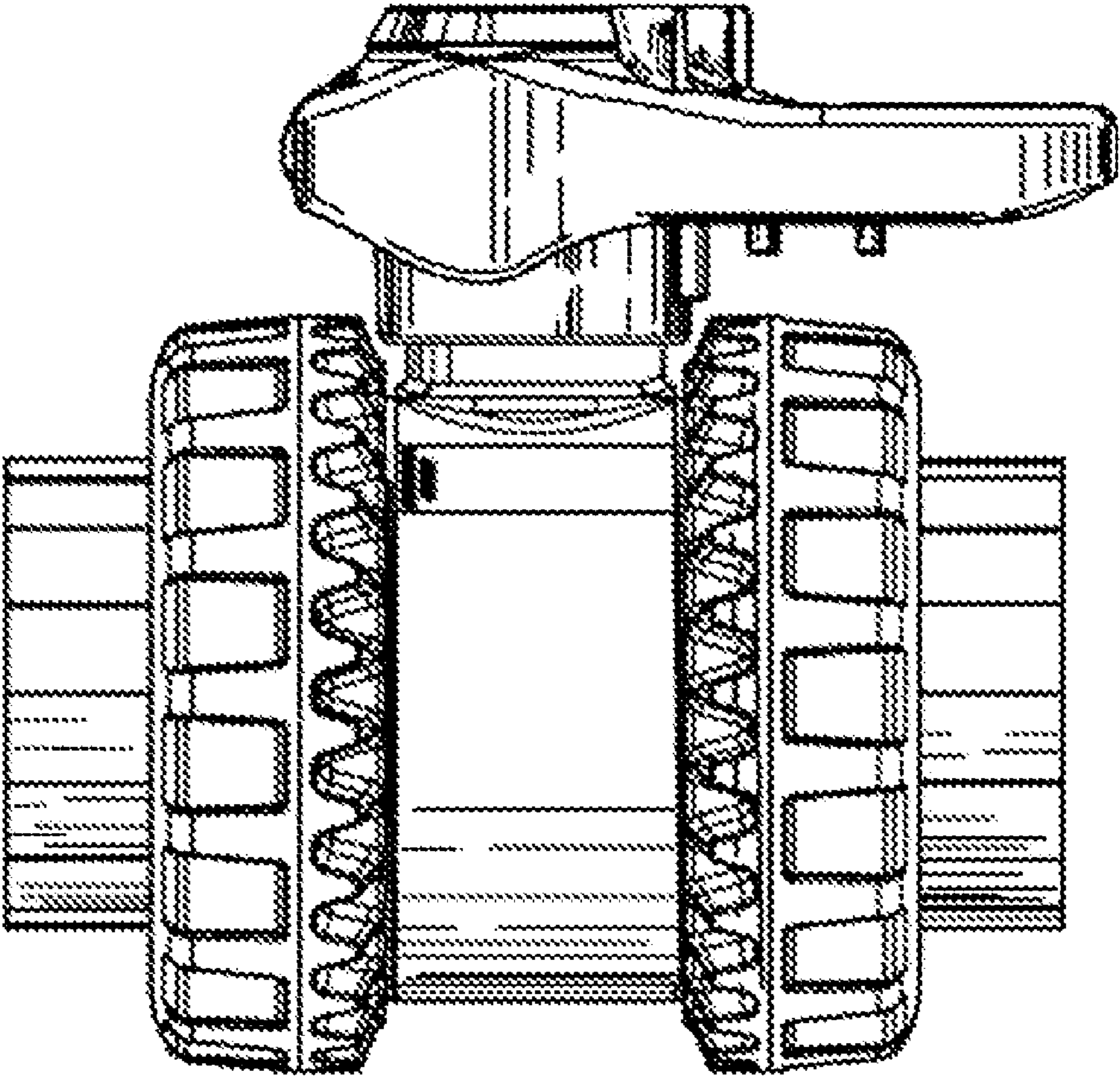


FIG. 4

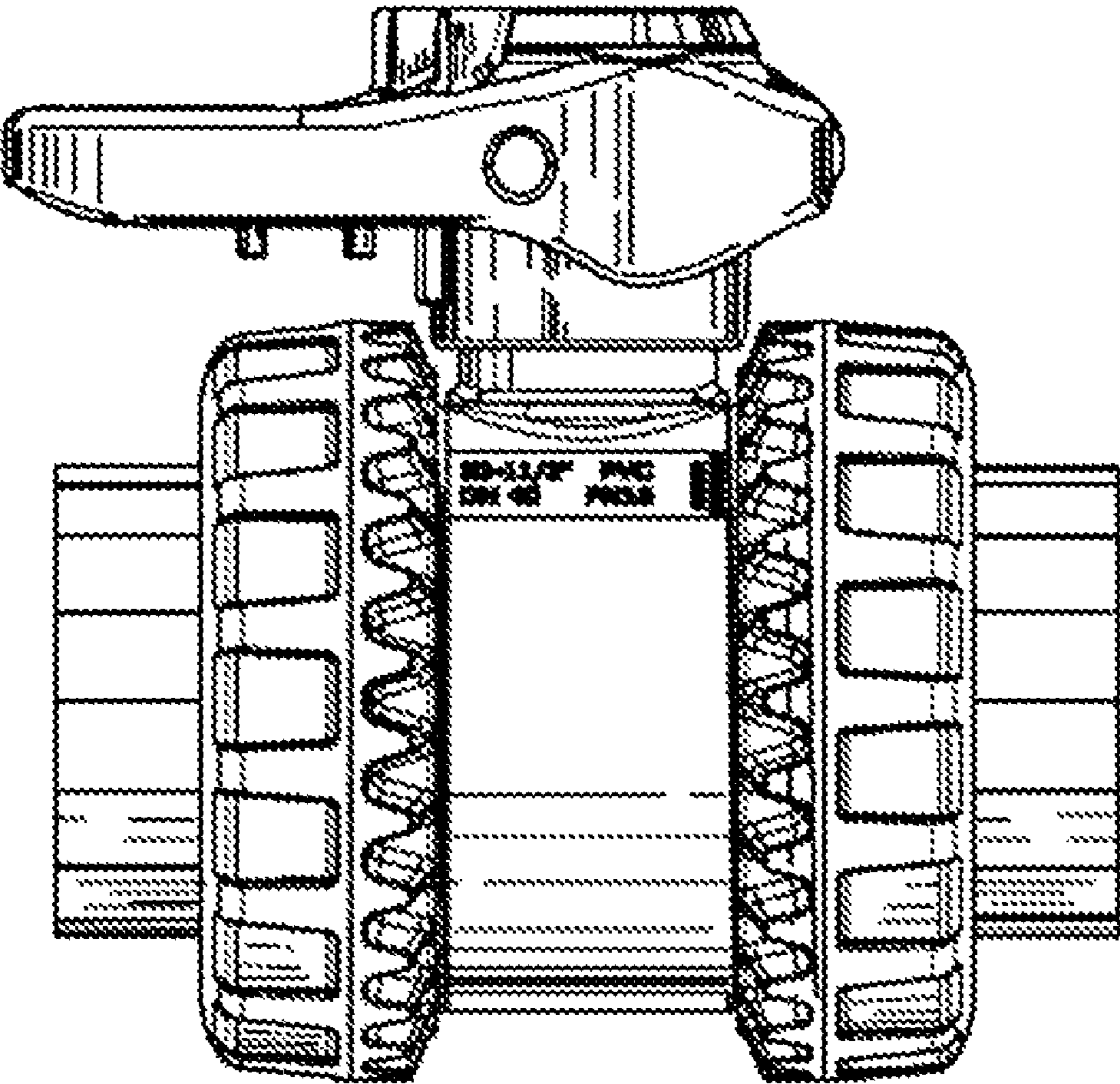


FIG. 5

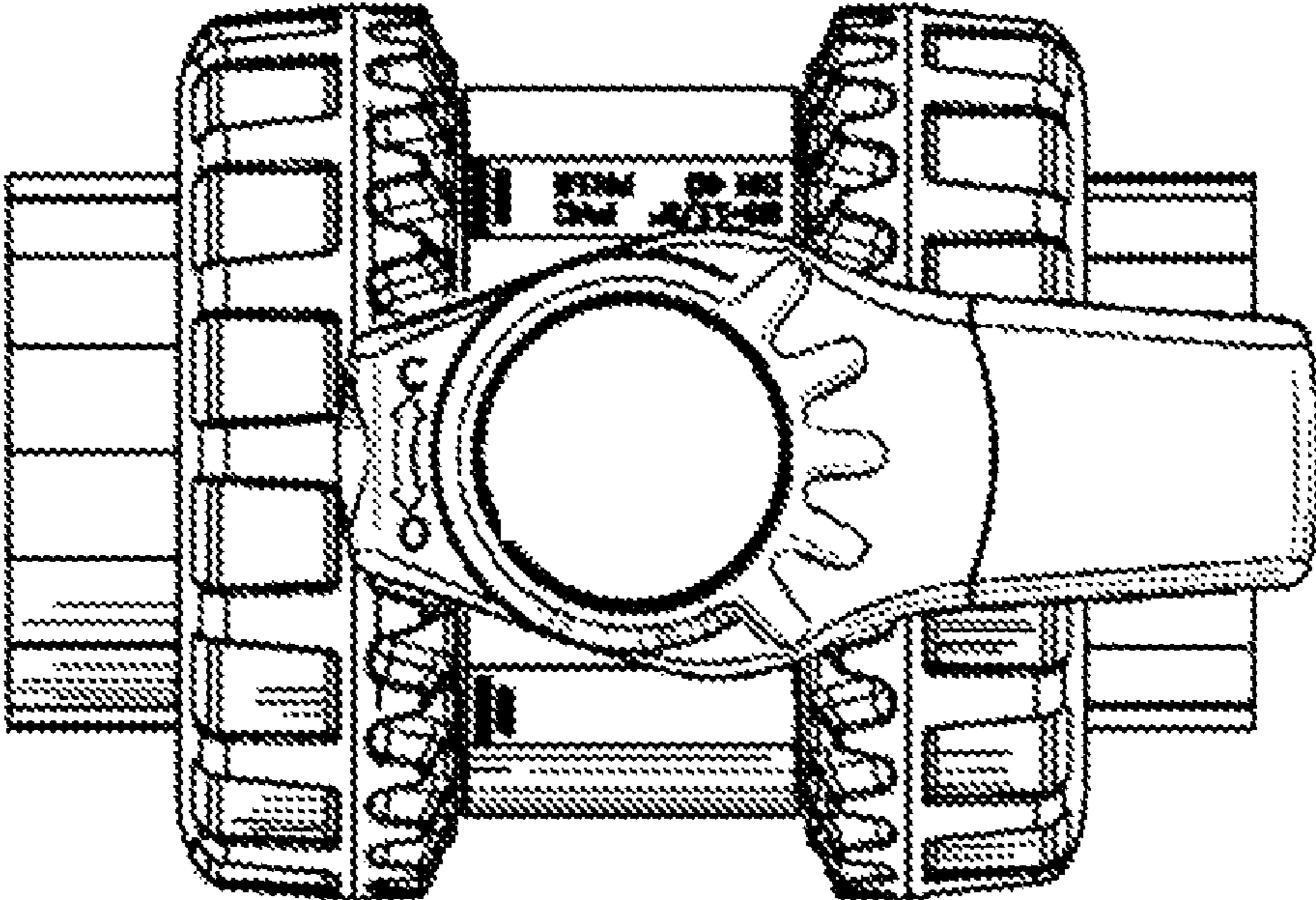


FIG. 6

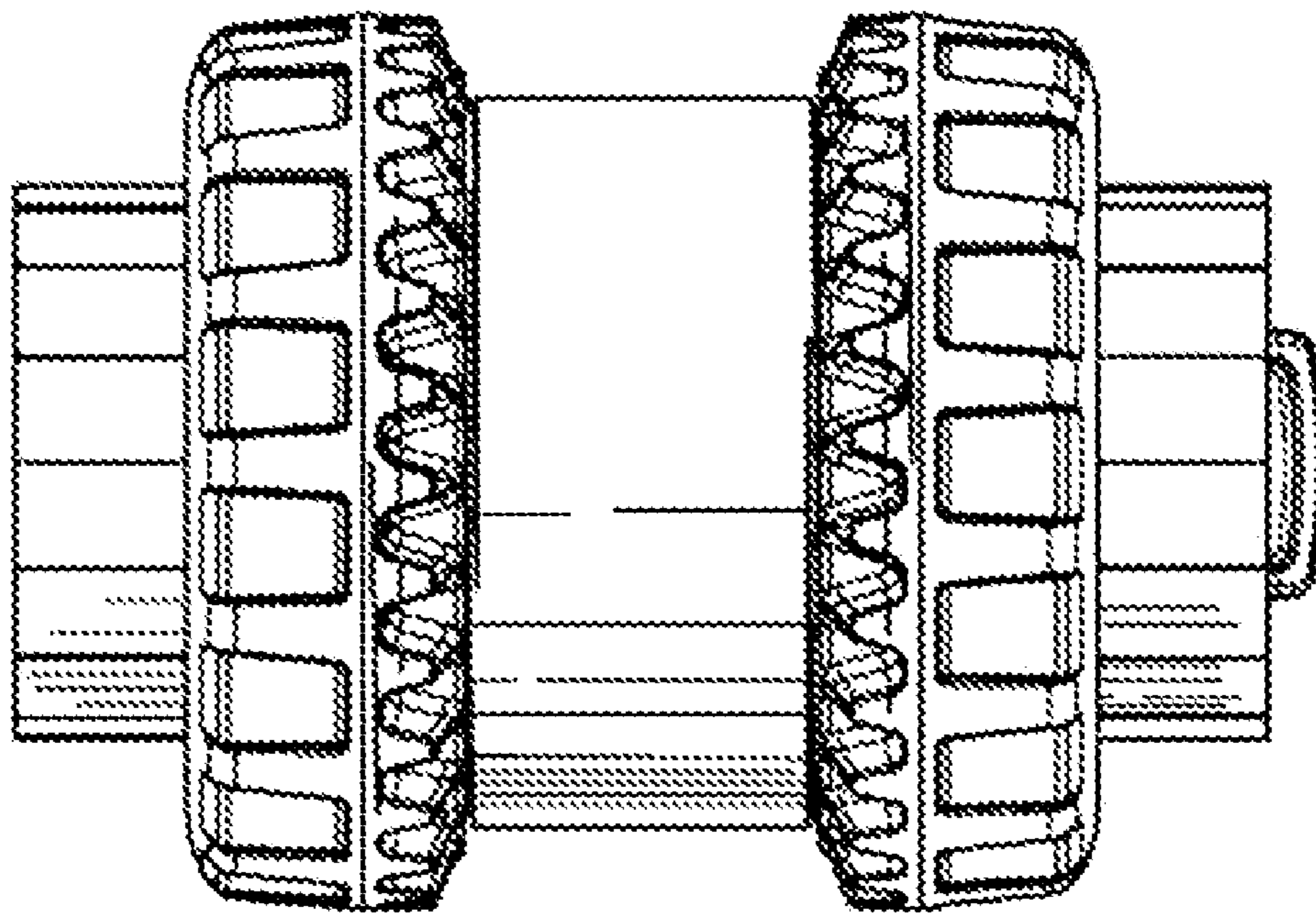


FIG. 7