



US00D627433S

(12) **United States Design Patent**  
**Gaudron**

(10) **Patent No.:** **US D627,433 S**

(45) **Date of Patent:** **\*\* Nov. 16, 2010**

(54) **VALVE SYSTEM ASSEMBLY**

(75) Inventor: **Paul Gaudron**, Stratford, CT (US)

(73) Assignee: **Powers Fasteners, Inc.**, Brewster, NY (US)

(\*\*) Term: **14 Years**

(21) Appl. No.: **29/327,276**

(22) Filed: **Nov. 3, 2008**

(51) **LOC (9) Cl.** ..... **23-01**

(52) **U.S. Cl.** ..... **D23/233**

(58) **Field of Classification Search** ..... D23/233-237, D23/244-249; 251/30.01, 45, 331, 129.16, 251/129.17, 129.21; D7/396.1, 396.6, 397, D7/398, 558, 900, 624.1; D8/349; D9/434  
See application file for complete search history.

(56) **References Cited**

**U.S. PATENT DOCUMENTS**

- D410,529 S \* 6/1999 Taylor ..... D23/245
- D434,469 S \* 11/2000 Shaw ..... D23/233
- D470,570 S \* 2/2003 Wass ..... D23/233

D600,319 S \* 9/2009 Downing ..... D23/233

\* cited by examiner

*Primary Examiner*—Cathron C. Brooks

*Assistant Examiner*—Maurice Stevens

(74) *Attorney, Agent, or Firm*—Cantor Colburn LLP

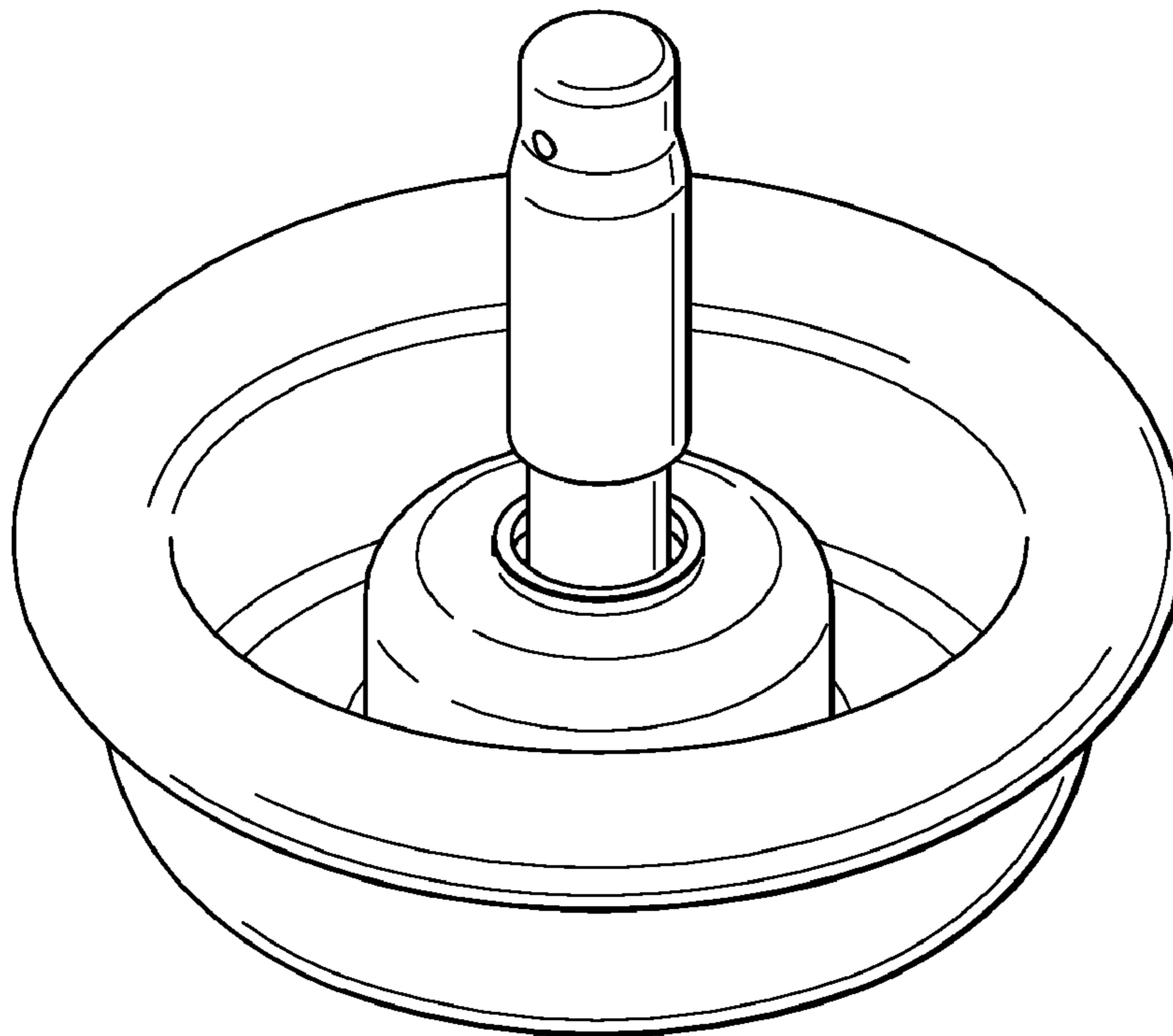
(57) **CLAIM**

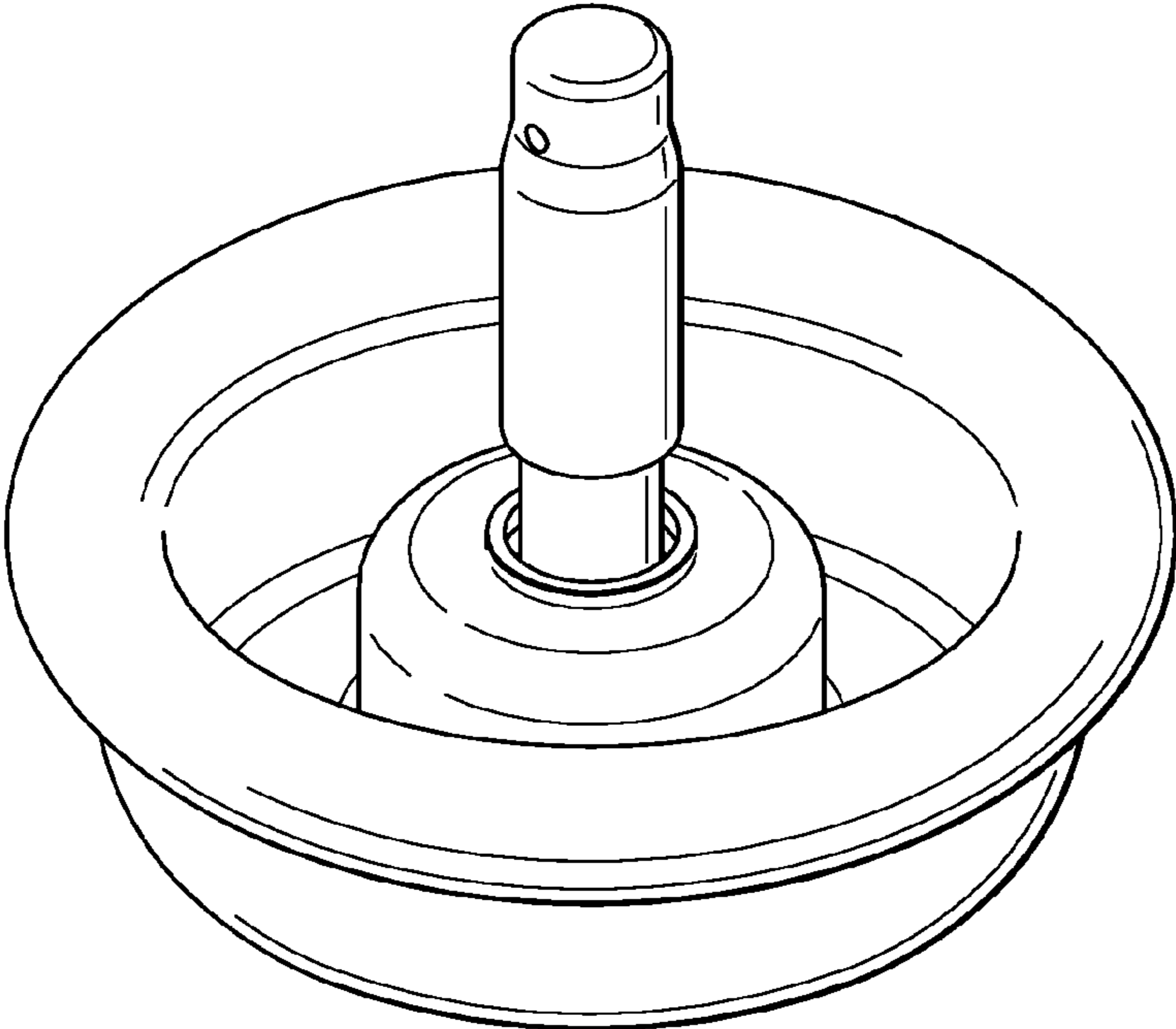
I claim, the ornamental design for the valve system assembly, as shown and described.

**DESCRIPTION**

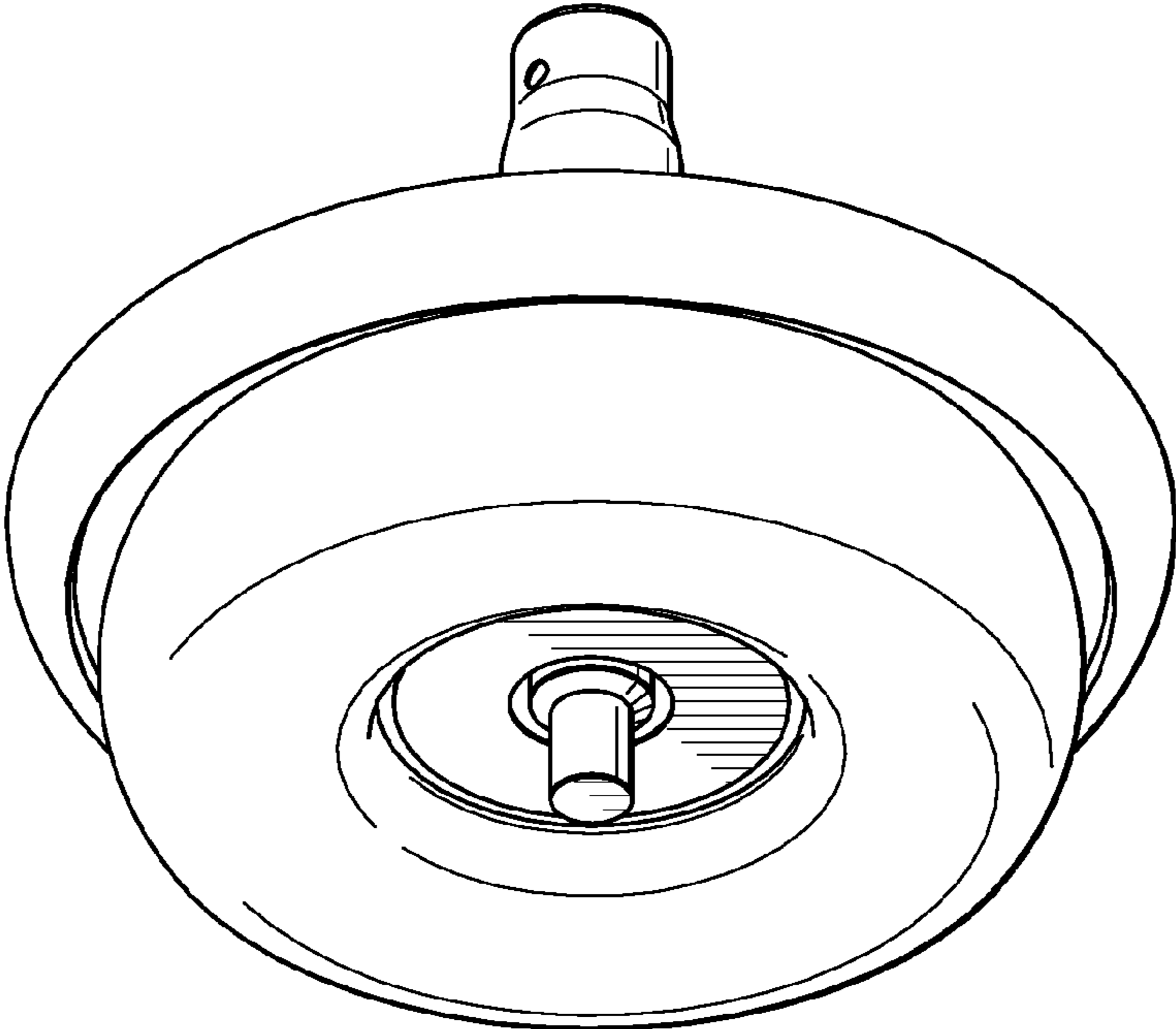
FIG. 1 is a top perspective view of valve system assembly;  
 FIG. 2 is a bottom perspective view of the valve system assembly;  
 FIG. 3 is a top view of the valve system assembly;  
 FIG. 4 is a side view of the valve system assembly, the opposite side being a mirror image thereof;  
 FIG. 5 is a front view of the valve system assembly, the rear view being a mirror image thereof;  
 FIG. 6 is a bottom view of the valve system assembly; and,  
 FIG. 7 is a cross section view of the valve system assembly.

**1 Claim, 4 Drawing Sheets**

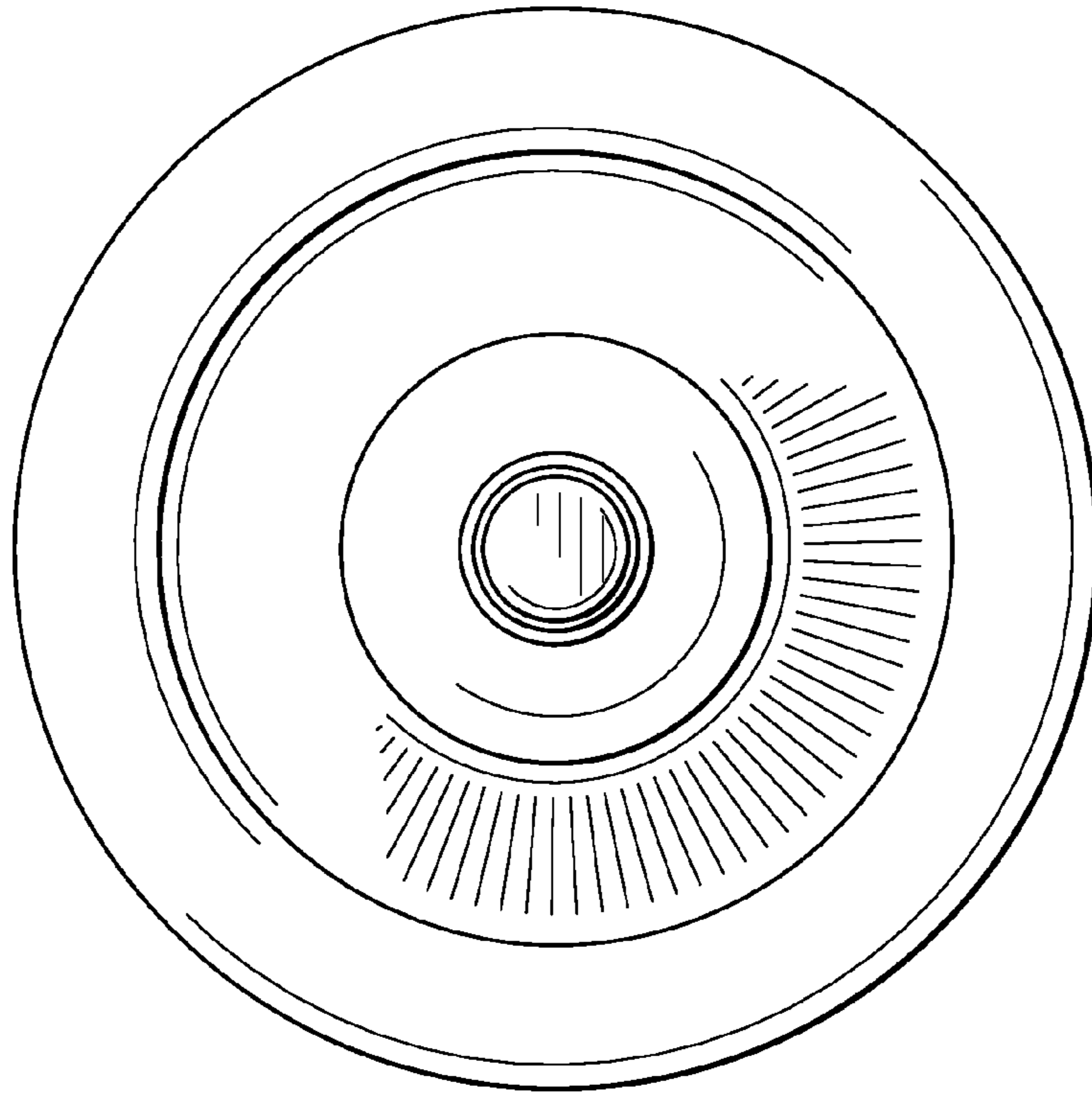




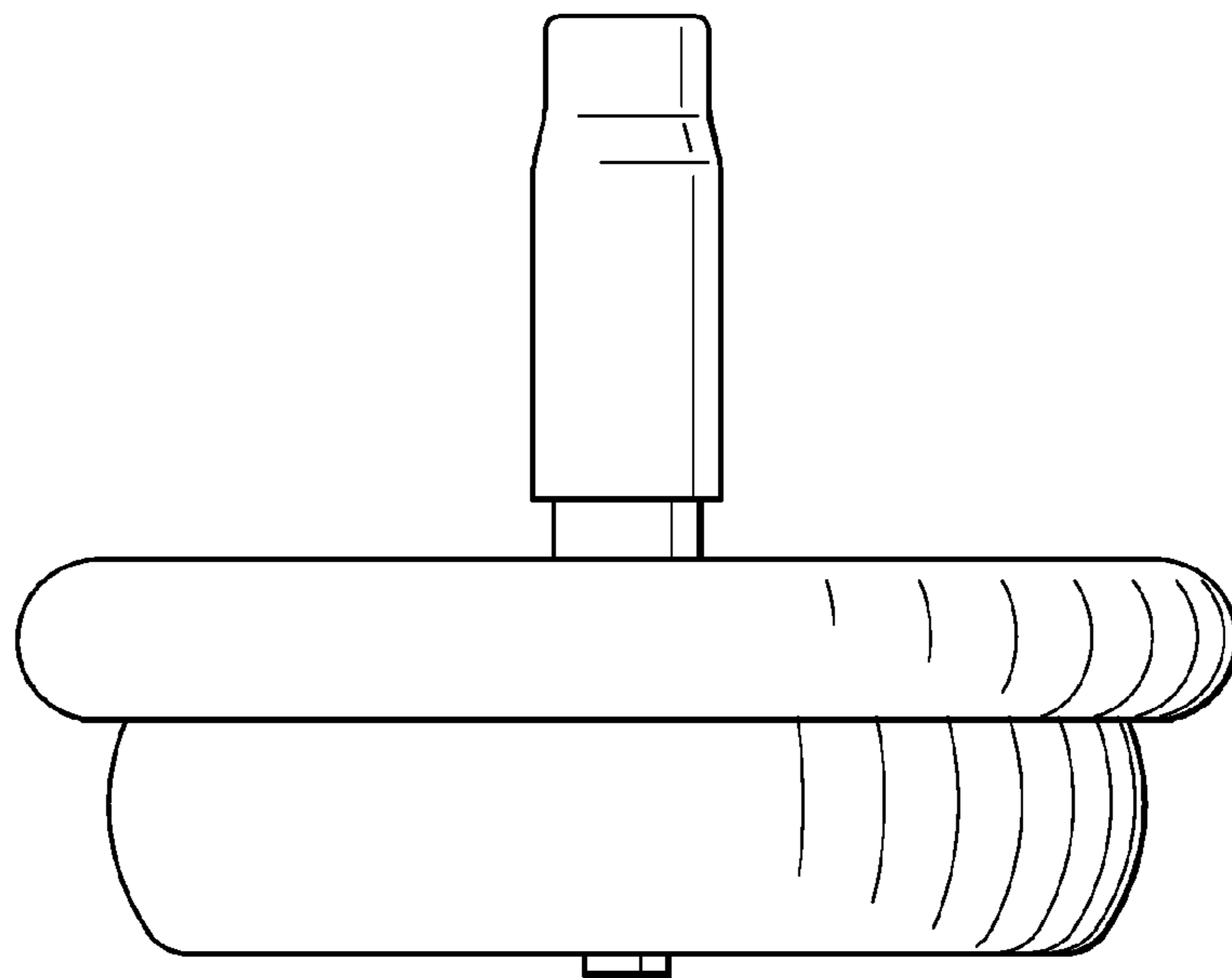
*Fig. 1*



*Fig. 2*

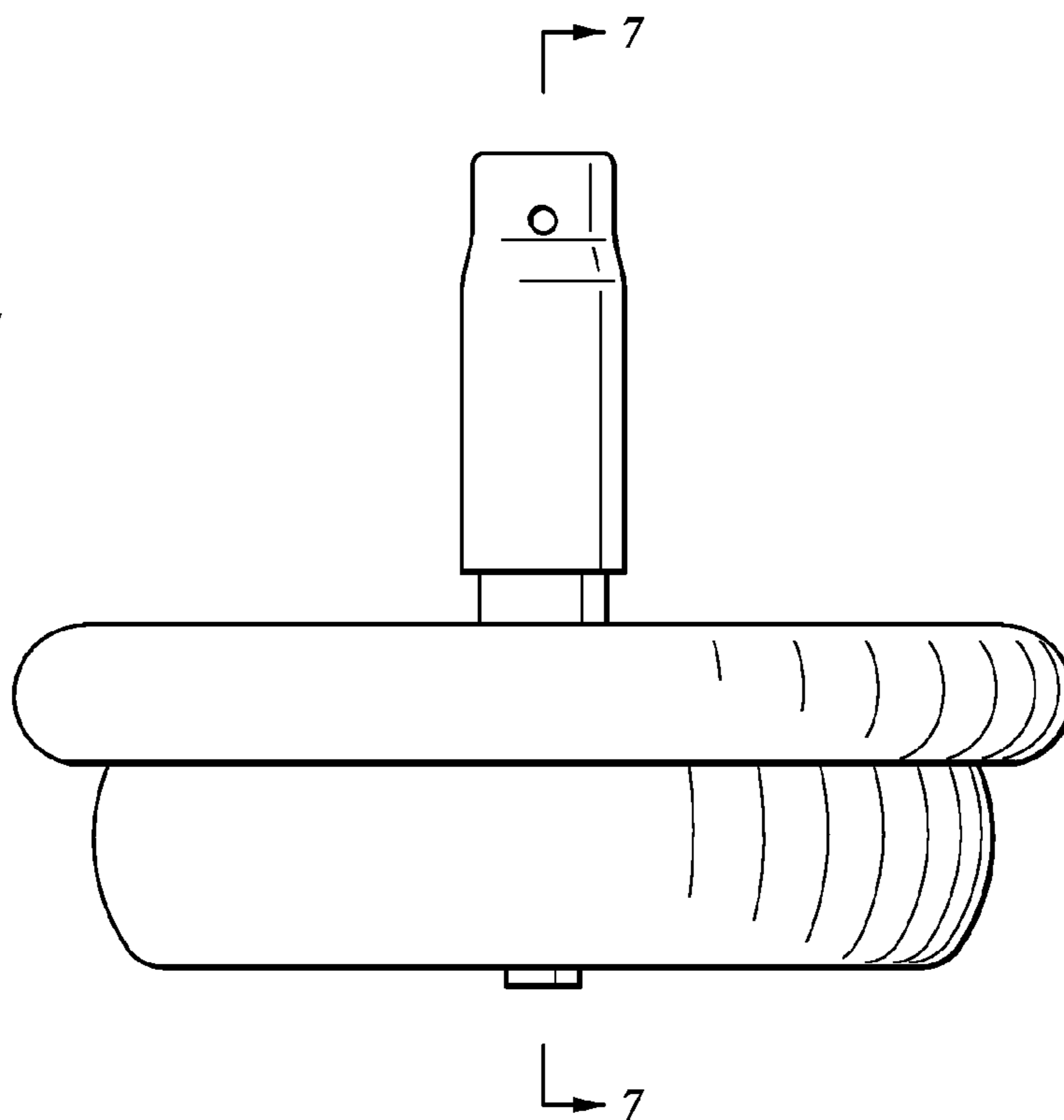


*Fig. 3*

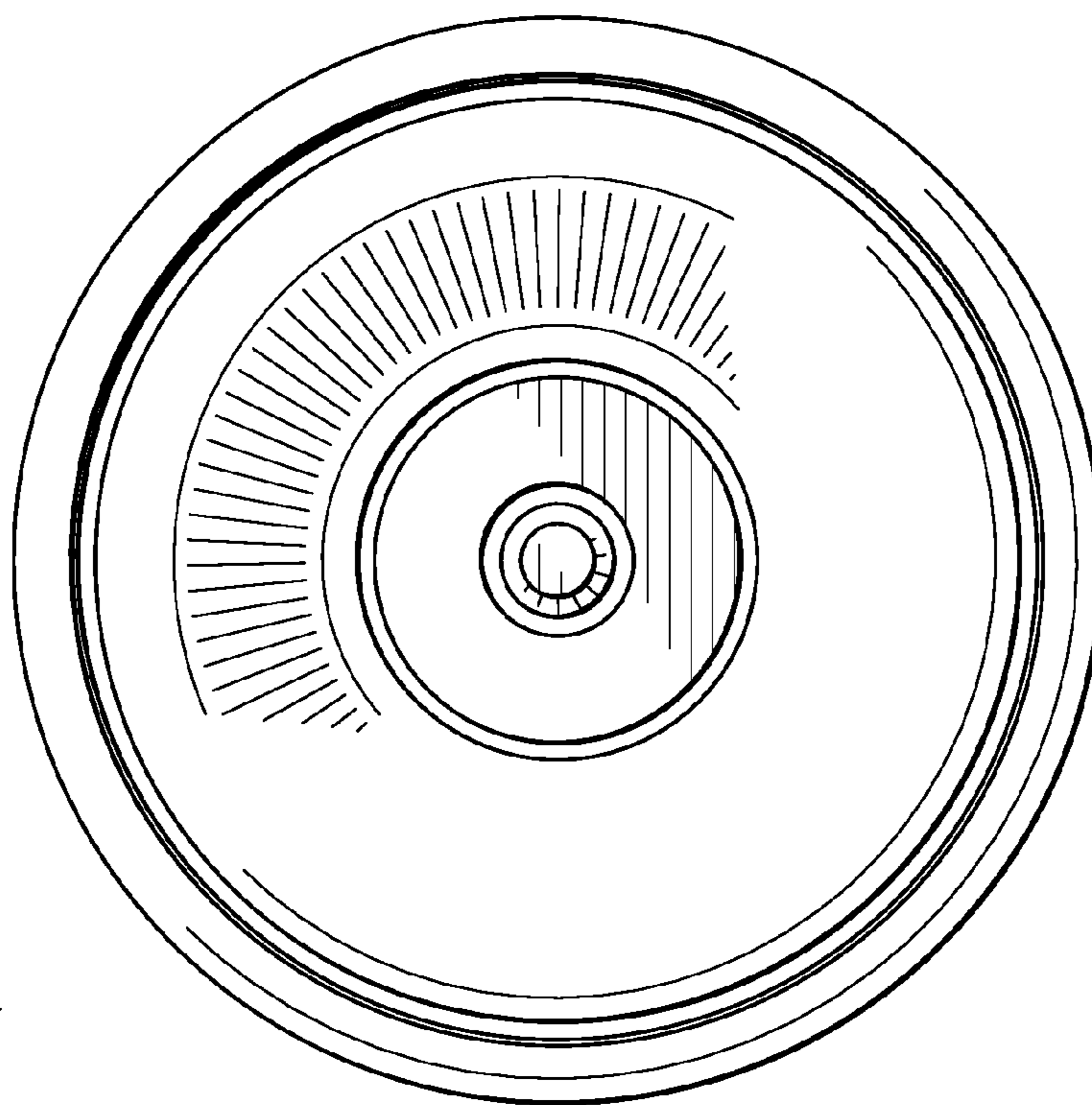


*Fig. 4*

*Fig. 5*



*Fig. 6*



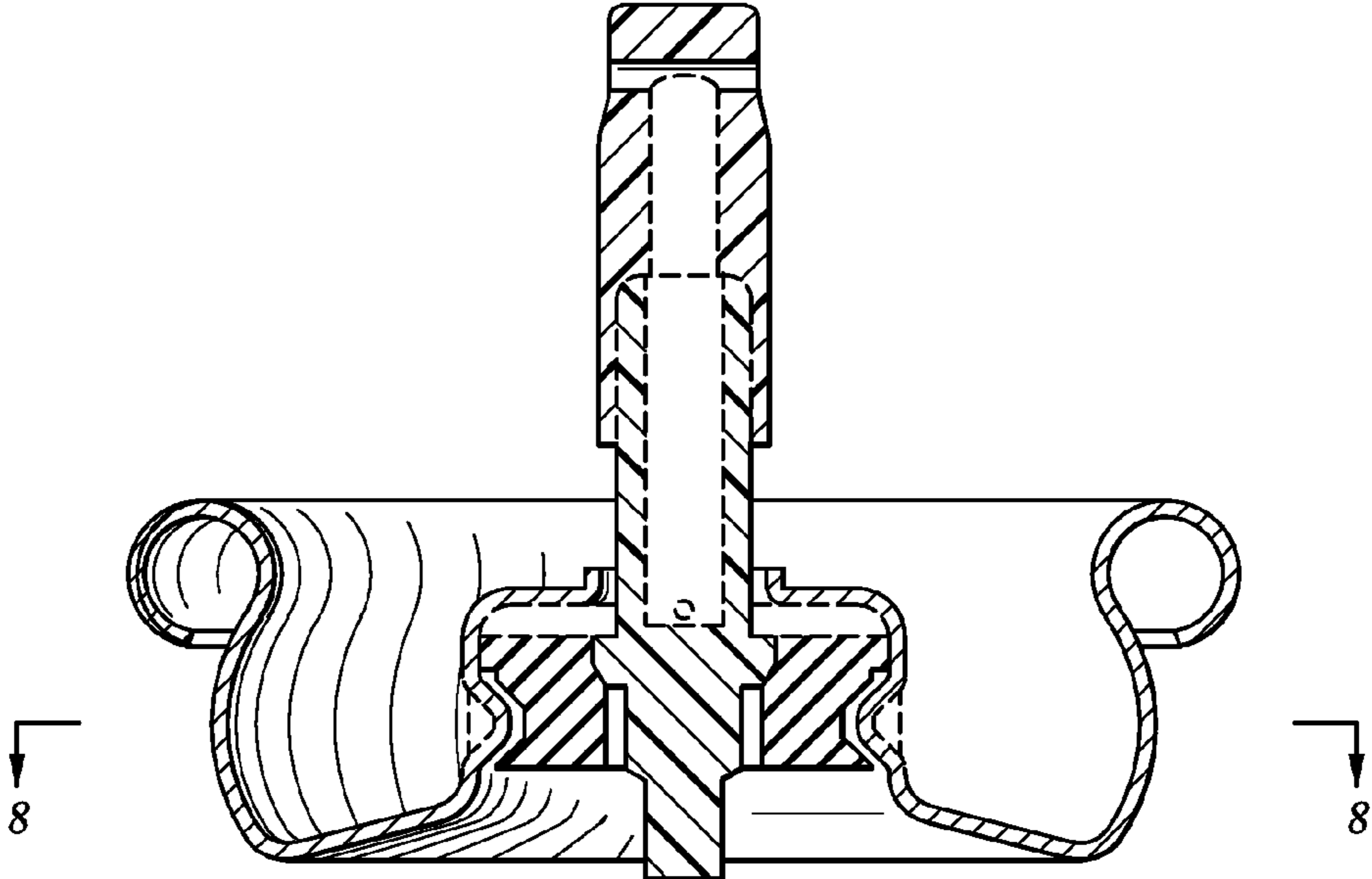


Fig. 7