



US00D627431S

(12) **United States Design Patent**  
**Escoto, Jr. et al.**

(10) **Patent No.:** **US D627,431 S**

(45) **Date of Patent:** **\*\* Nov. 16, 2010**

(54) **LIQUID SPRAY GUN NOZZLE**

(75) Inventors: **John I. Escoto, Jr.**, St. Paul, MN (US);  
**Daniel E. Siltberg**, White Bear  
Township, MN (US)

(73) Assignee: **3M Innovative Properties Company**,  
St. Paul, MN (US)

(\*\*) Term: **14 Years**

(21) Appl. No.: **29/366,525**

(22) Filed: **Jul. 27, 2010**

**Related U.S. Application Data**

(63) Continuation of application No. 12/693,777, filed on  
Jan. 26, 2010.

(51) **LOC (9) Cl.** ..... **23-01**

(52) **U.S. Cl.** ..... **D23/213; D23/226**

(58) **Field of Classification Search** ..... D23/213,  
D23/223, 226; 239/290, 291, 296, 119, 601,  
239/690, 691, 526; 361/227, 228  
See application file for complete search history.

(56) **References Cited**

**U.S. PATENT DOCUMENTS**

- 4,971,251 A 11/1990 Dobrick et al.
- 5,022,590 A 6/1991 Buschor
- 5,322,221 A 6/1994 Anderson
- 5,332,156 A 7/1994 Wheeler
- 5,582,350 A 12/1996 Kosmyrna et al.
- 5,613,637 A 3/1997 Schmon
- 5,711,421 A 1/1998 Guo
- 5,765,753 A 6/1998 Kieffer
- 6,019,294 A 2/2000 Anderson et al.
- D429,794 S \* 8/2000 Beaver et al. .... D23/213
- 6,098,902 A 8/2000 Culbertson et al.
- 6,460,787 B1 10/2002 Hartle et al.
- 6,543,705 B1 4/2003 Liao
- 6,702,198 B2 3/2004 Tam et al.
- 6,719,212 B1 4/2004 Leisi
- 6,808,122 B2 10/2004 Mitcheli
- 6,820,824 B1 11/2004 Joseph et al.

- 6,854,667 B2 2/2005 Ulrich et al.
- 6,874,702 B2 4/2005 Turnbull
- 6,971,590 B2 12/2005 Blette et al.
- 7,032,839 B2 4/2006 Blette et al.
- D538,886 S \* 3/2007 Huang ..... D23/226
- 7,201,336 B2 4/2007 Blette et al.
- D542,376 S 5/2007 Blette et al.
- 7,246,759 B2 7/2007 Turnbull
- 7,328,855 B2 2/2008 Chatron et al.

(Continued)

**FOREIGN PATENT DOCUMENTS**

WO WO 2005/049145 6/2005

**OTHER PUBLICATIONS**

PCT International Search Report, PCT/US2010/022101.  
*Primary Examiner*—Robin V Webster  
(74) *Attorney, Agent, or Firm*—Steven E. Skolnick

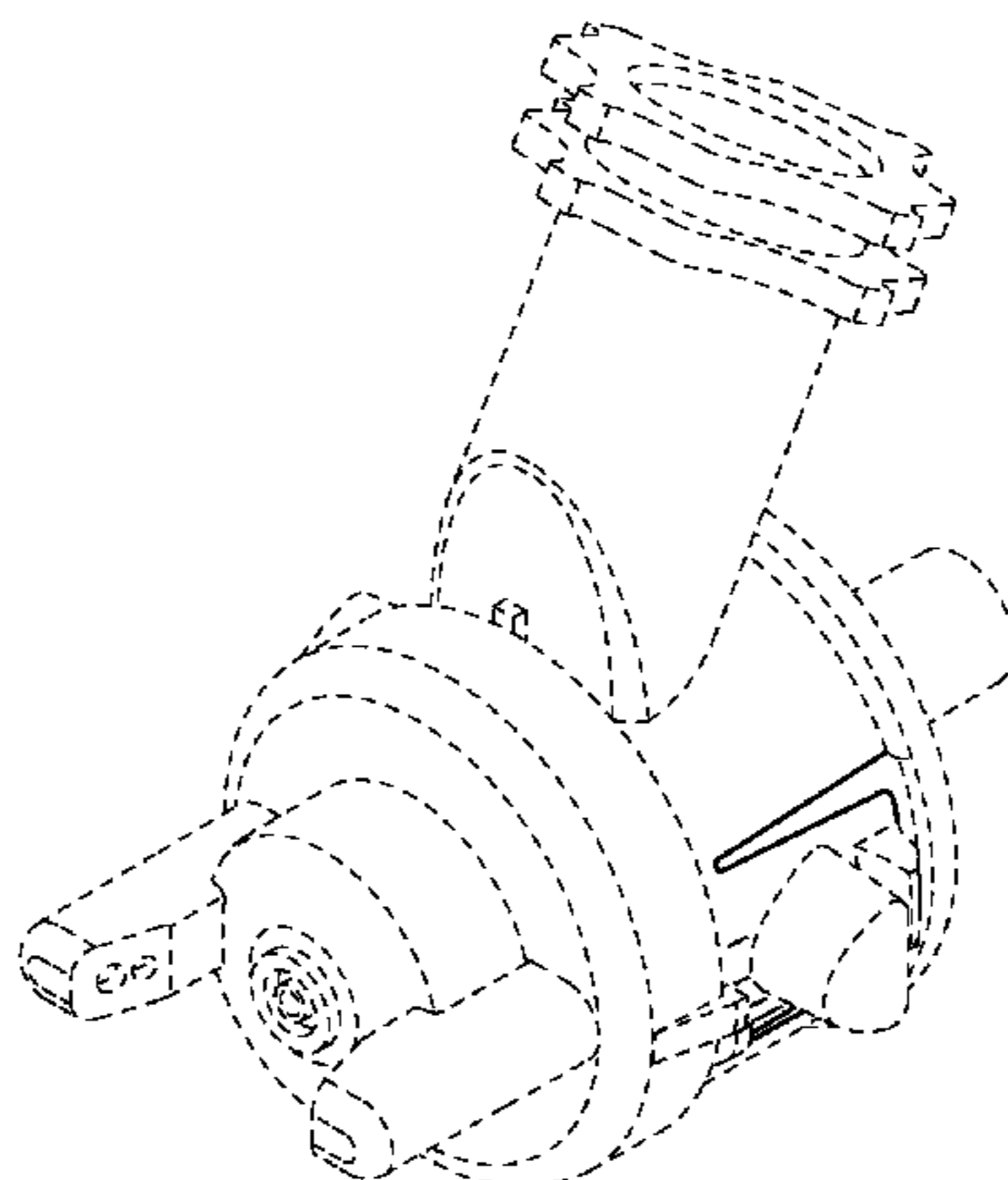
(57) **CLAIM**

The ornamental design for a liquid spray gun nozzle, as shown and described.

**DESCRIPTION**

FIG. 1 is a perspective view showing the new design for a liquid spray gun nozzle;  
FIG. 2 is a left-side elevation view thereof, the right-side elevation view being a mirror image thereof;  
FIG. 3 is a front elevation view thereof;  
FIG. 4 is a bottom plan view thereof;  
FIG. 5 is a top plan view thereof; and,  
FIG. 6 is a rear elevation view thereof.  
The broken line showing is included for the purpose of illustrating and forms no part of the claimed design.

**1 Claim, 2 Drawing Sheets**



# US D627,431 S

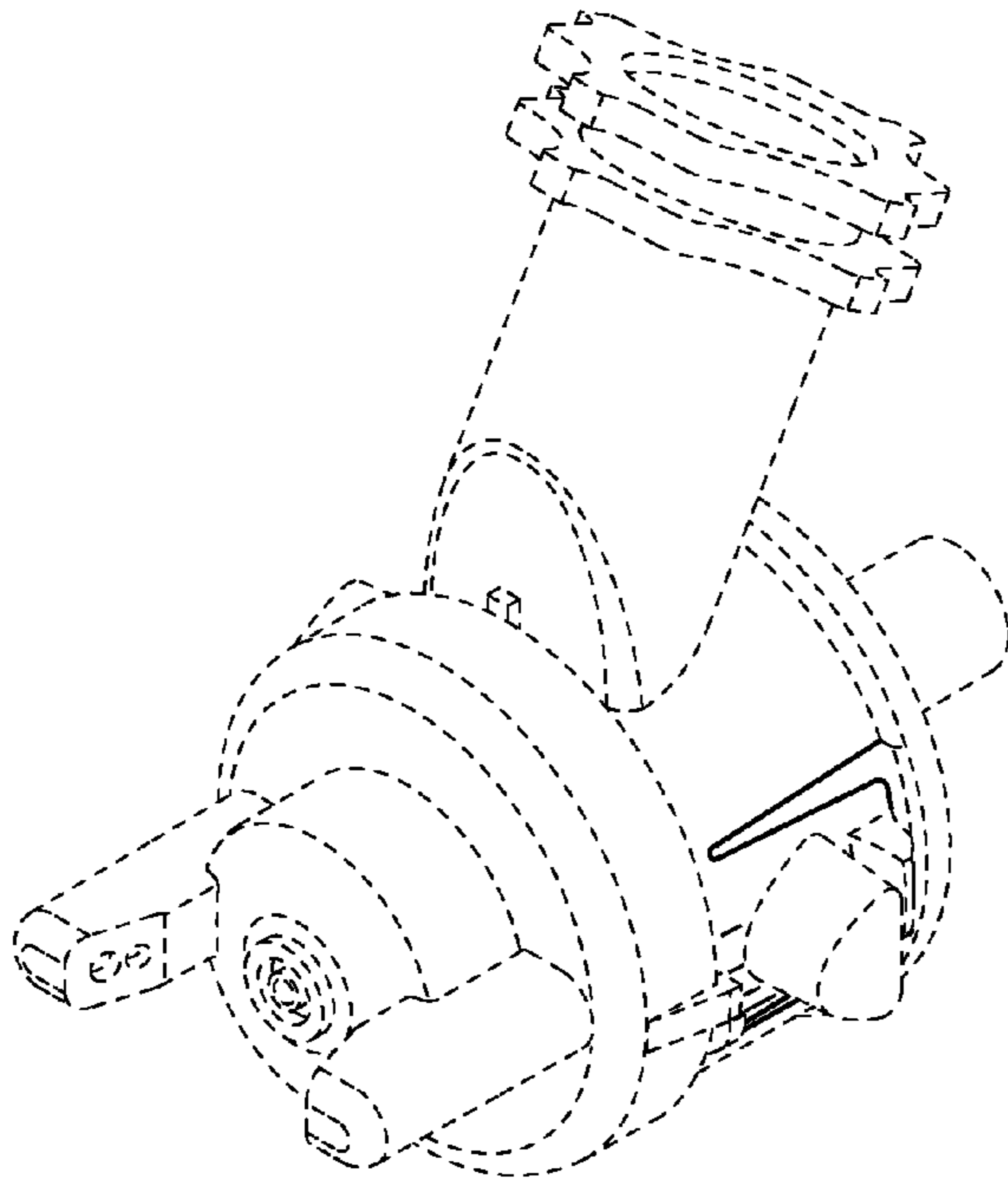
Page 2

---

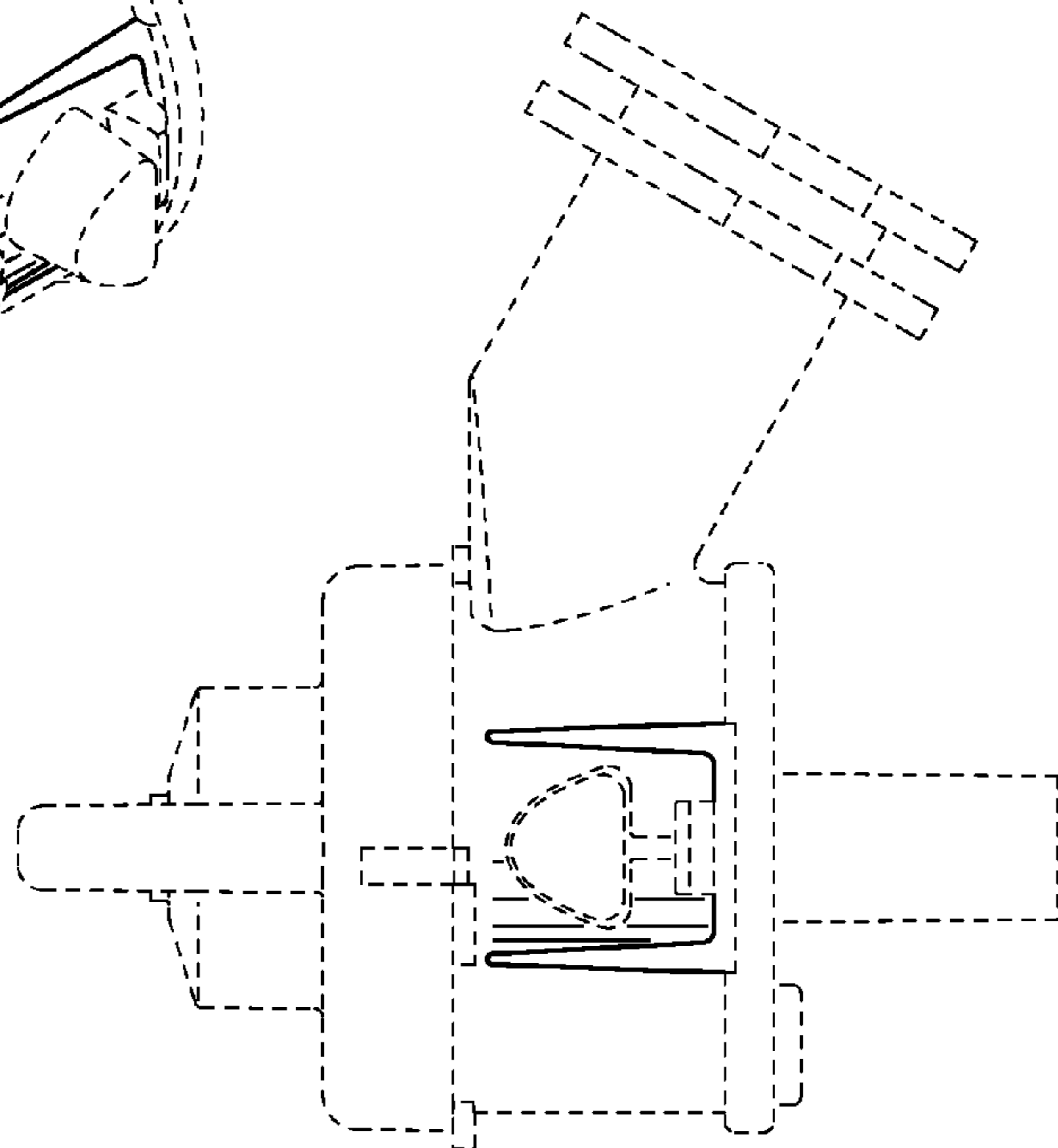
## U.S. PATENT DOCUMENTS

RE40,433 E	7/2008	Schmon		2005/0087128 A1	4/2005	Jakupovic
D572,343 S *	7/2008	Huang .....	D23/229	2005/0145718 A1	7/2005	Blette et al.
7,484,676 B2	2/2009	Blette et al.		2005/0145724 A1	7/2005	Blette et al.
D616,527 S *	5/2010	Anderson et al. ....	D23/226	2006/0065761 A1	3/2006	Joseph et al.
2004/0140373 A1	7/2004	Joseph et al.		2006/0102550 A1	5/2006	Joseph et al.
2004/0256493 A1	12/2004	Turnbull		2008/0295768 A1	12/2008	Micheli et al.
				2009/0148612 A1	6/2009	Micheli

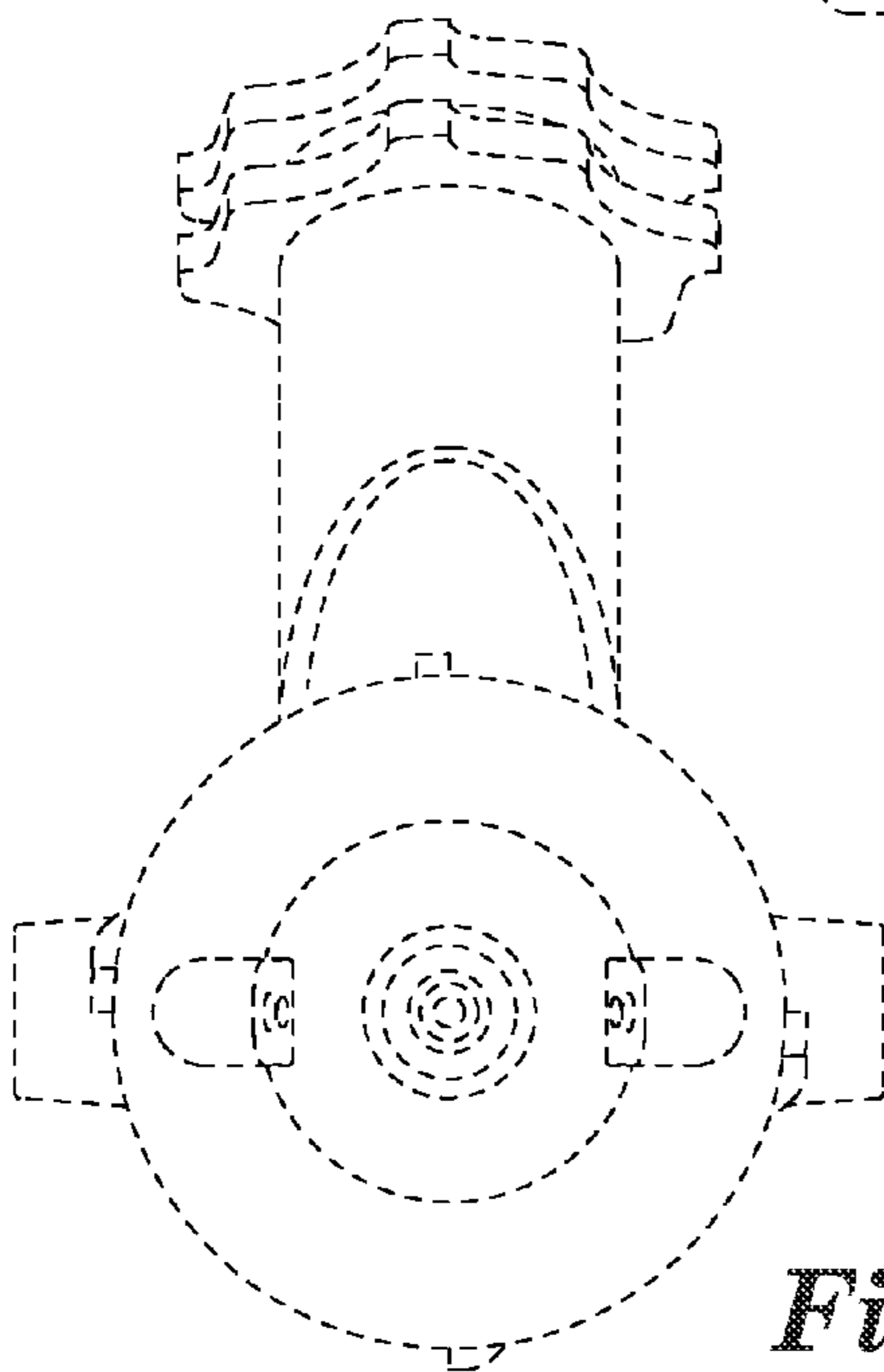
\* cited by examiner



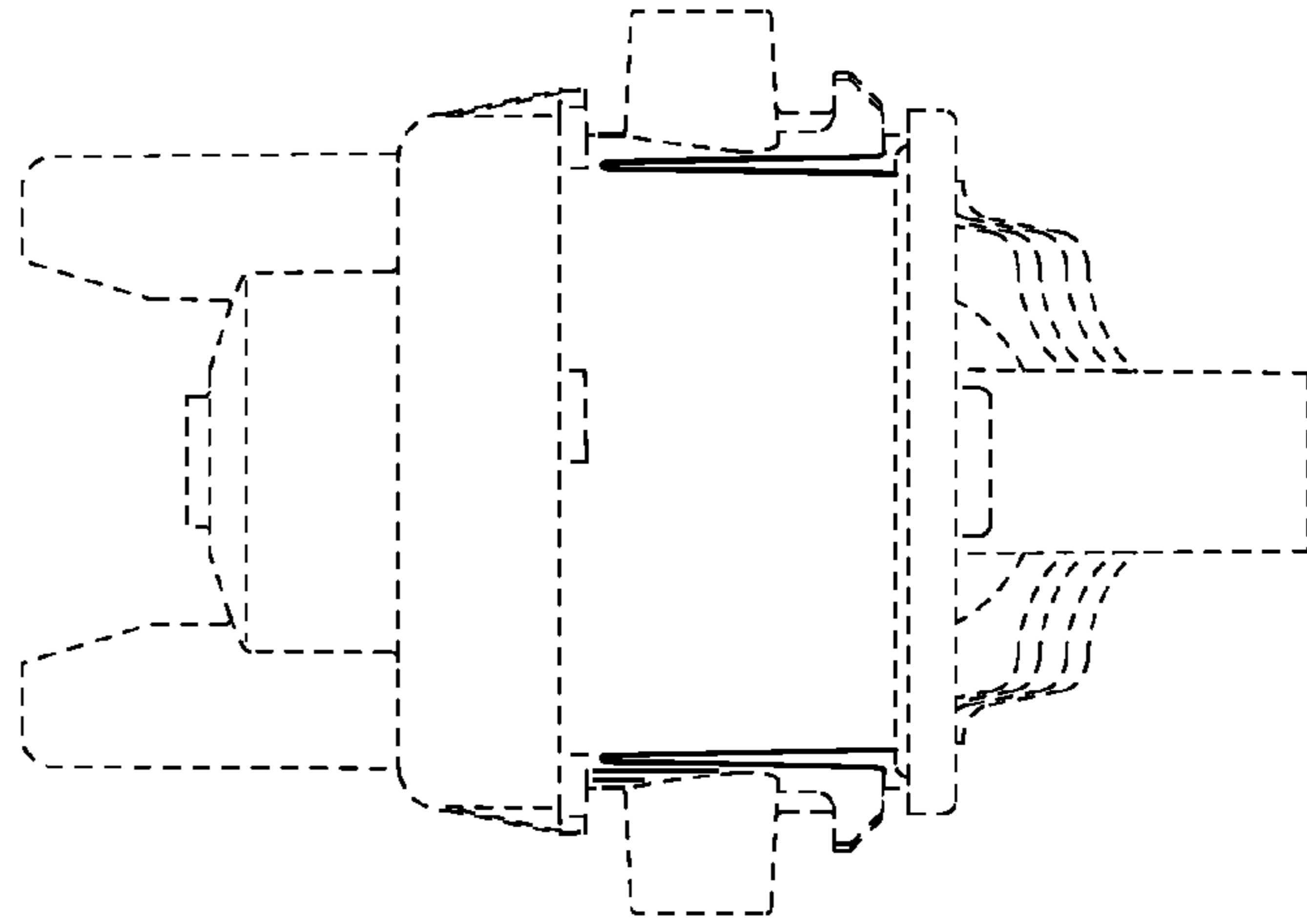
*Fig. 1*



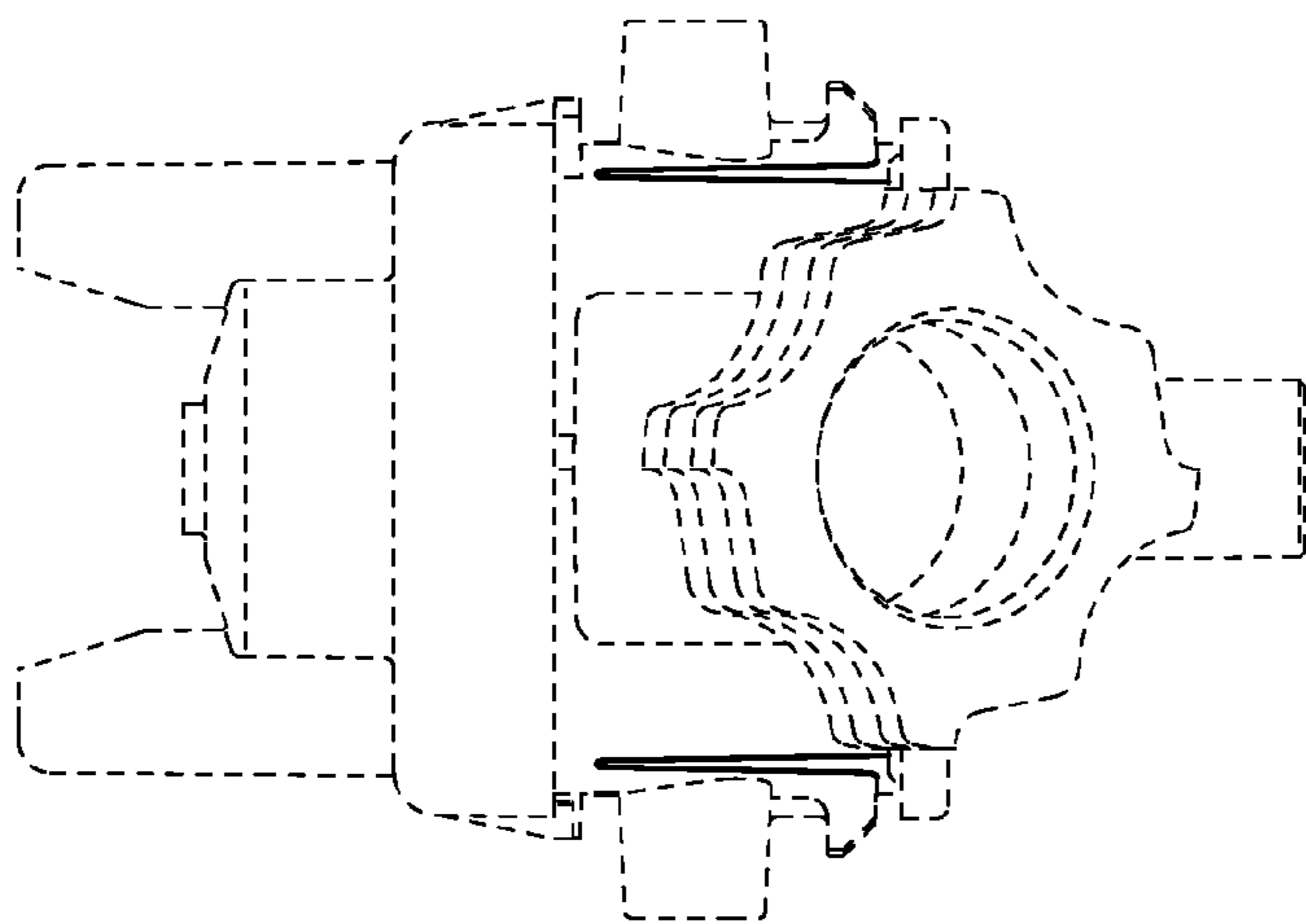
*Fig. 2*



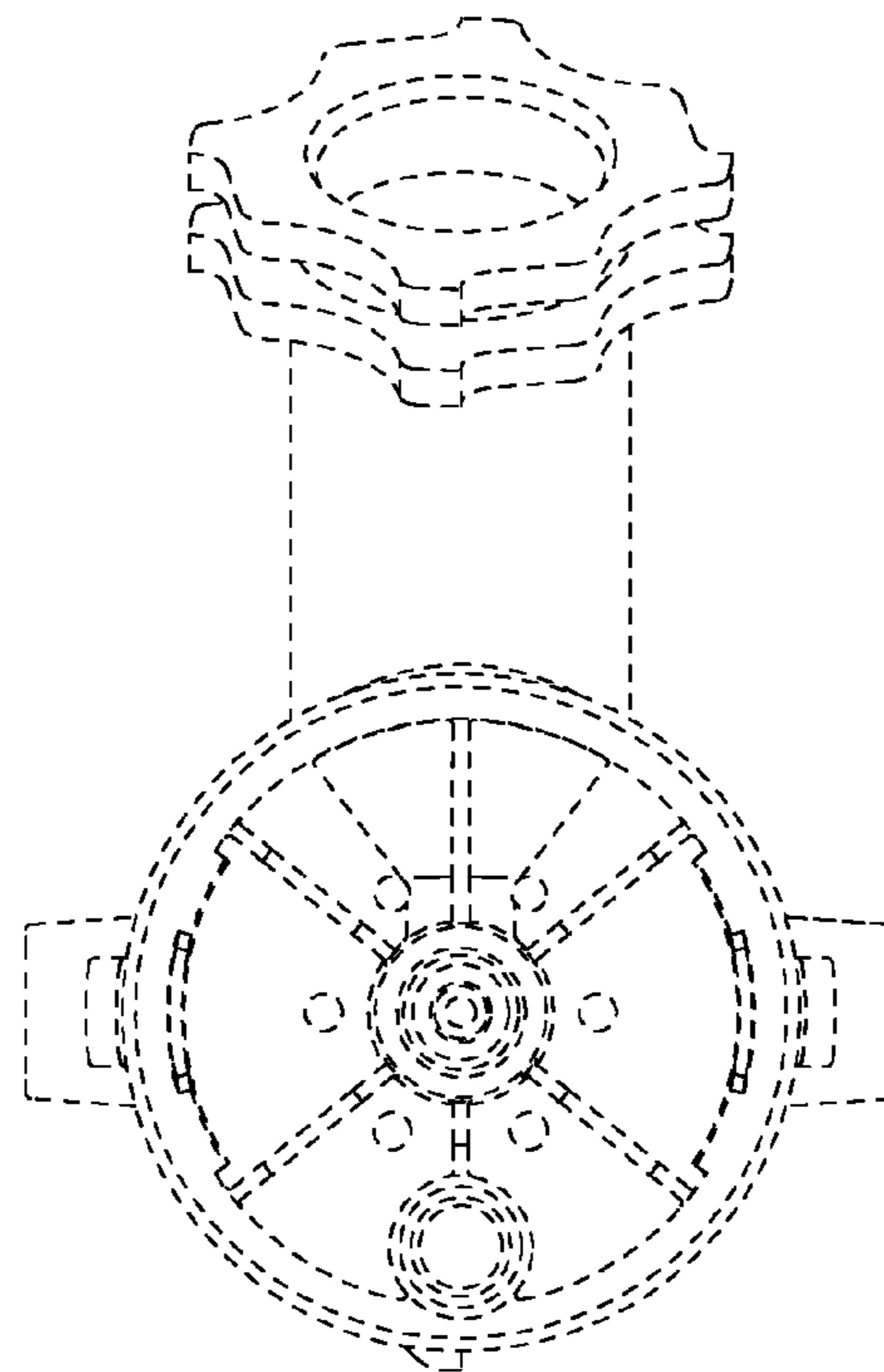
*Fig. 3*



*Fig. 4*



*Fig. 5*



*Fig. 6*