



US00D627430S

(12) **United States Design Patent**
Escoto, Jr. et al.

(10) **Patent No.:** **US D627,430 S**
(45) **Date of Patent:** **** Nov. 16, 2010**

(54) **NOZZLE CONNECTOR FOR A LIQUID SPRAY GUN**

6,808,122 B2	10/2004	Mitcheli	
6,820,824 B1	11/2004	Joseph et al.	
6,854,667 B2	2/2005	Ulrich et al.	
6,874,702 B2	4/2005	Turnbull	
6,971,590 B2	12/2005	Blette et al.	
7,032,839 B2	4/2006	Blette et al.	
D538,886 S *	3/2007	Huang	D23/226
7,201,336 B2	4/2007	Blette et al.	
D542,376 S	5/2007	Blette et al.	

(75) Inventors: **John I. Escoto, Jr.**, St. Paul, MN (US);
Daniel E. Siltberg, White Bear Township, MN (US)

(73) Assignee: **3M Innovative Properties Company**,
St. Paul, MN (US)

(**) Term: **14 Years**

(Continued)

(21) Appl. No.: **29/366,523**

FOREIGN PATENT DOCUMENTS

(22) Filed: **Jul. 27, 2010**

WO WO 2005/049145 6/2005

Related U.S. Application Data

(63) Continuation of application No. 12/693,777, filed on Jan. 26, 2010.

(51) **LOC (9) Cl.** **23-01**

(52) **U.S. Cl.** **D23/213; D23/266**

(58) **Field of Classification Search** D23/213,
D23/223, 226; 239/290, 291, 296, 119, 601,
239/690, 691, 526; 361/227, 228
See application file for complete search history.

OTHER PUBLICATIONS

PCT International Search Report, PCT/US2010/022101.

Primary Examiner—Robin V Webster

(74) *Attorney, Agent, or Firm*—Steven E. Skolnick

(57) **CLAIM**

The ornamental design for a nozzle connector for a liquid spray gun, as shown and described.

(56) **References Cited**

DESCRIPTION

U.S. PATENT DOCUMENTS

4,971,251 A	11/1990	Dobrick et al.	
5,022,590 A	6/1991	Buschor	
5,322,221 A	6/1994	Anderson	
5,332,156 A	7/1994	Wheeler	
5,582,350 A	12/1996	Kosmyna et al.	
5,613,637 A	3/1997	Schmon	
5,711,421 A	1/1998	Guo	
5,765,753 A	6/1998	Kieffer	
6,019,294 A	2/2000	Anderson et al.	
D429,794 S *	8/2000	Beaver et al.	D23/213
6,098,902 A	8/2000	Culbertson et al.	
6,460,787 B1	10/2002	Hartle et al.	
6,543,705 B1	4/2003	Liao	
6,702,198 B2	3/2004	Tam et al.	
6,719,212 B1	4/2004	Leisi	

FIG. 1 is a perspective view of a liquid spray gun nozzle showing the new design for a nozzle connector for a liquid spray gun;

FIG. 2 is a left-side elevation view thereof, the right-side elevation view being a mirror image thereof;

FIG. 3 is a front elevation view thereof;

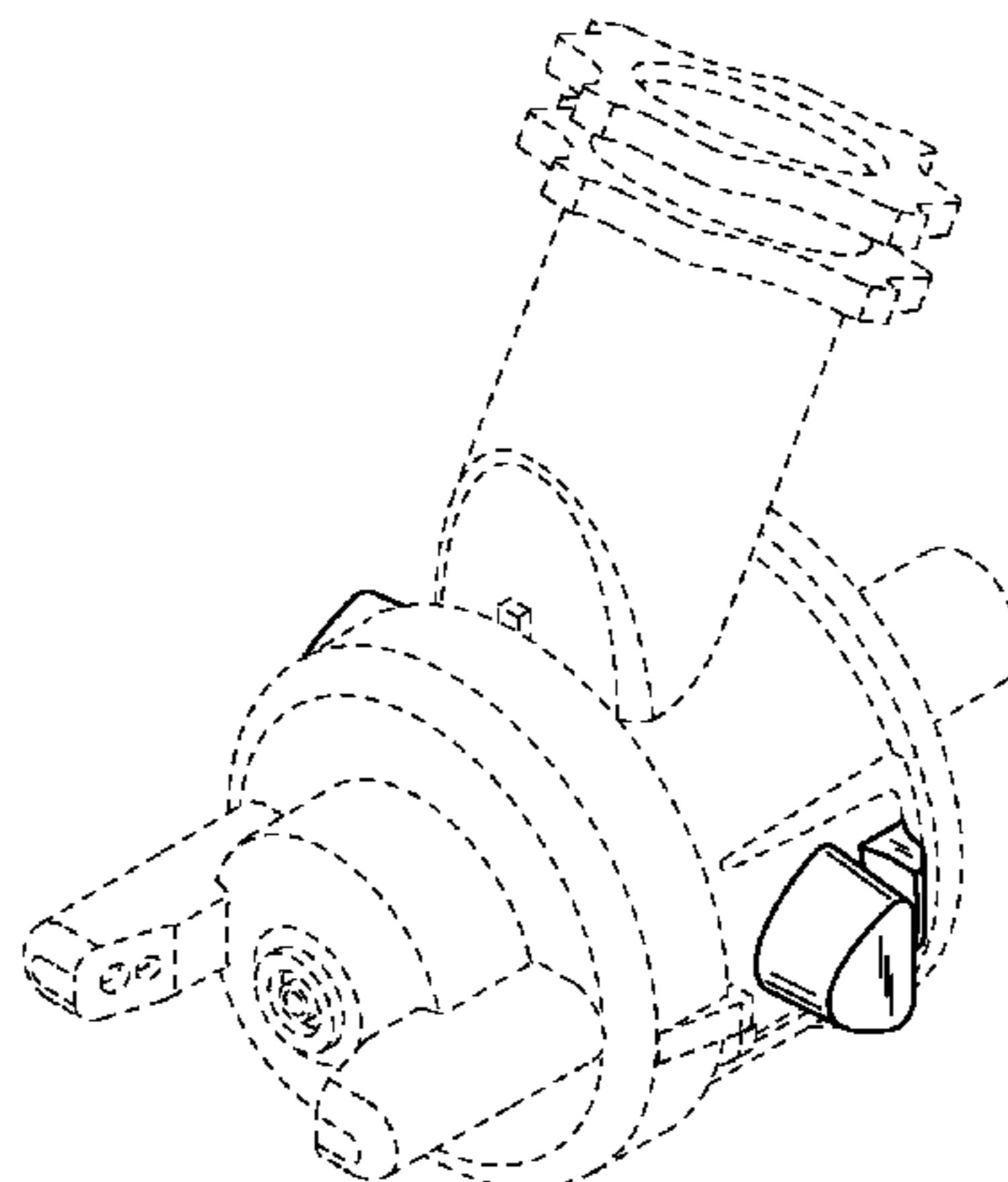
FIG. 4 is a bottom plan view thereof;

FIG. 5 is a top plan view thereof; and,

FIG. 6 is a rear elevation view thereof.

The broken line showing is included for the purpose of illustrating and forms no part of the claimed design.

1 Claim, 2 Drawing Sheets



US D627,430 S

Page 2

U.S. PATENT DOCUMENTS			
7,246,759	B2	7/2007	Turnbull
7,328,855	B2	2/2008	Chatron et al.
RE40,433	E	7/2008	Schmon
D572,343	S *	7/2008	Huang D23/229
7,484,676	B2	2/2009	Biette et al.
D616,527	S *	5/2010	Anderson et al. D23/226
2004/0140373	A1	7/2004	Joseph et al.
2004/0256493	A1	12/2004	Turnbull
2005/0087128	A1	4/2005	Jakupovic
2005/0145718	A1	7/2005	Blette et al.
2005/0145724	A1	7/2005	Blette et al.
2006/0065761	A1	3/2006	Joseph et al.
2006/0102550	A1	5/2006	Joseph et al.
2008/0295768	A1	12/2008	Micheli et al.
2009/0148612	A1	6/2009	Micheli

* cited by examiner

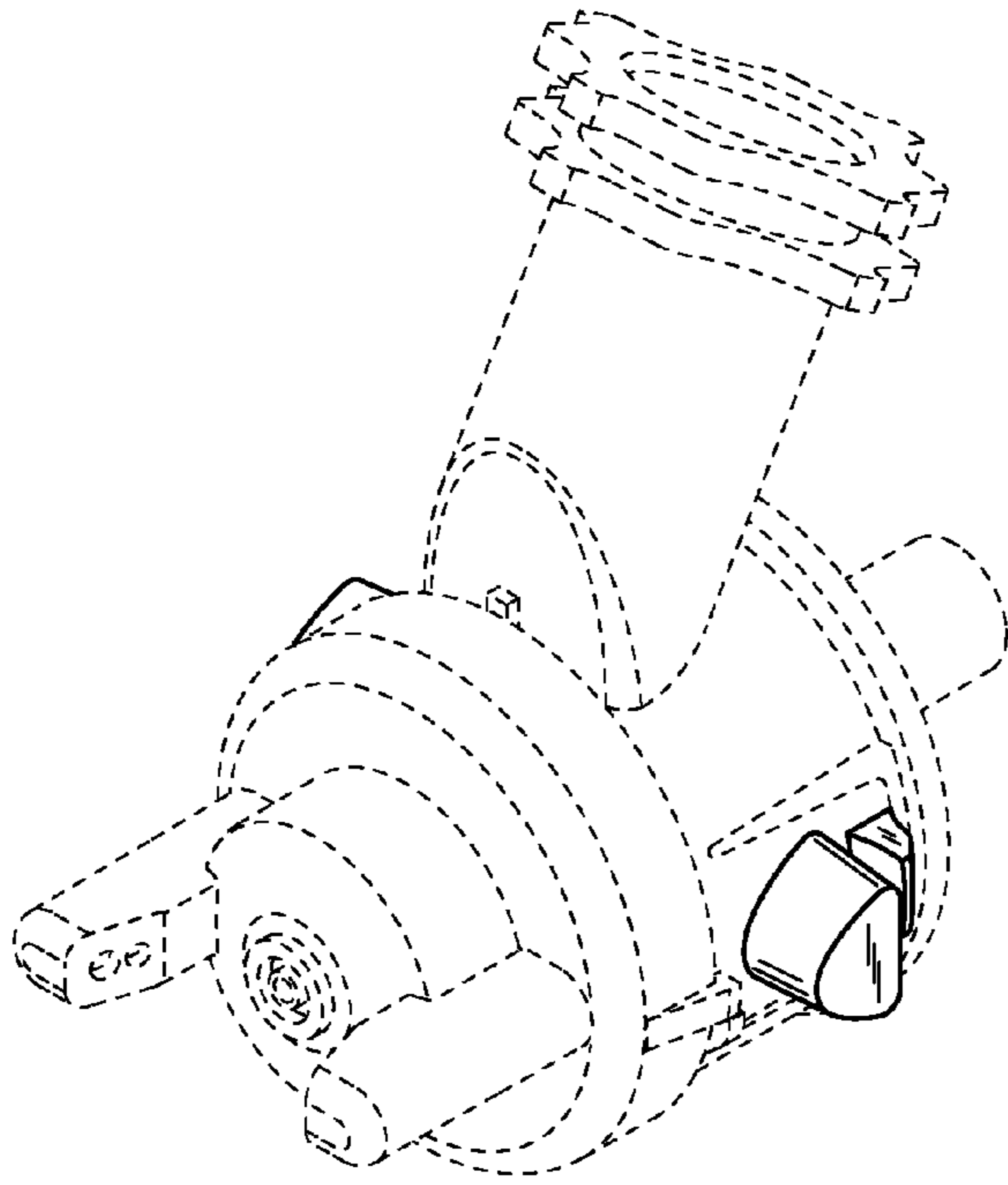


FIG. 1

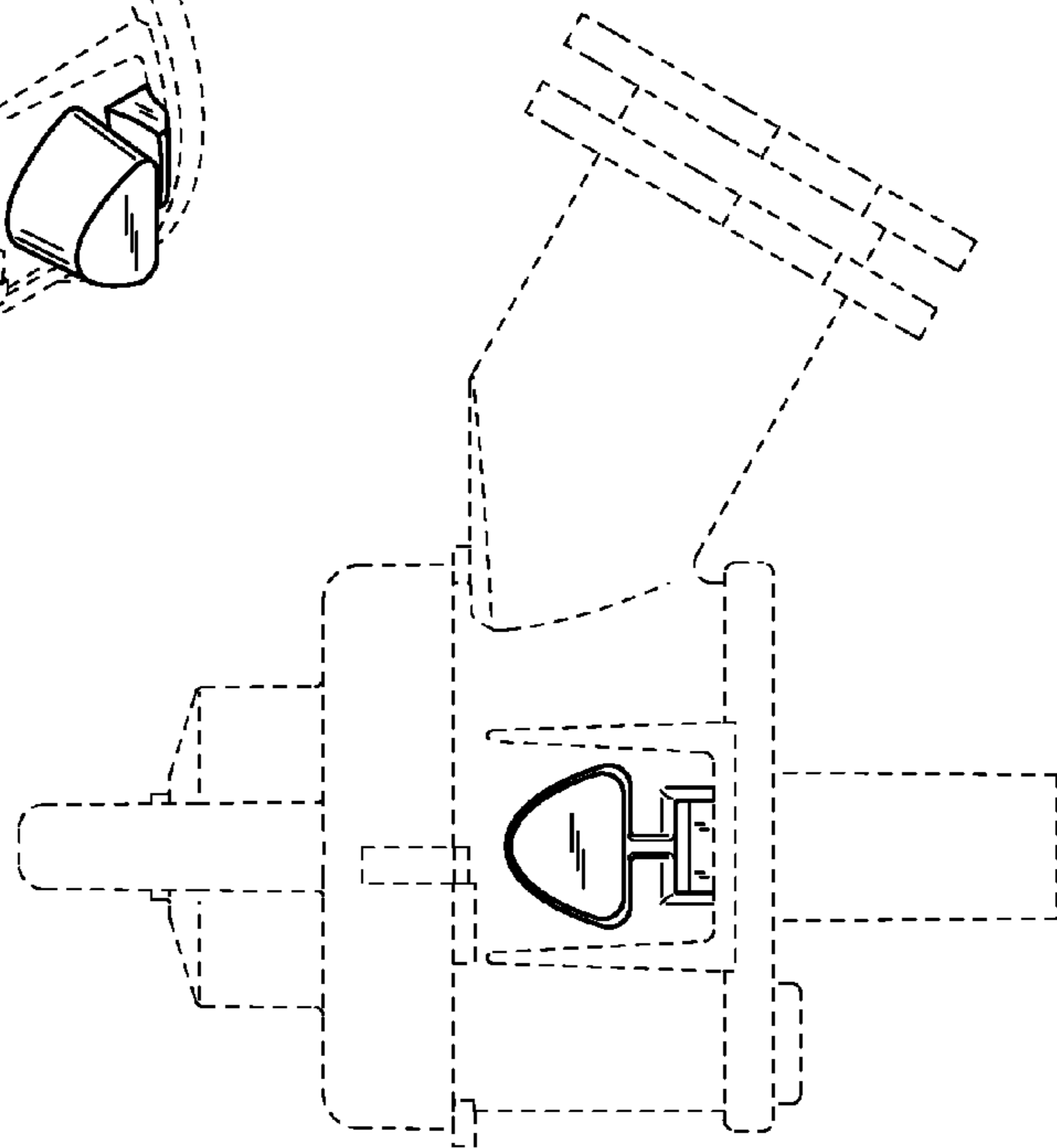


FIG. 2

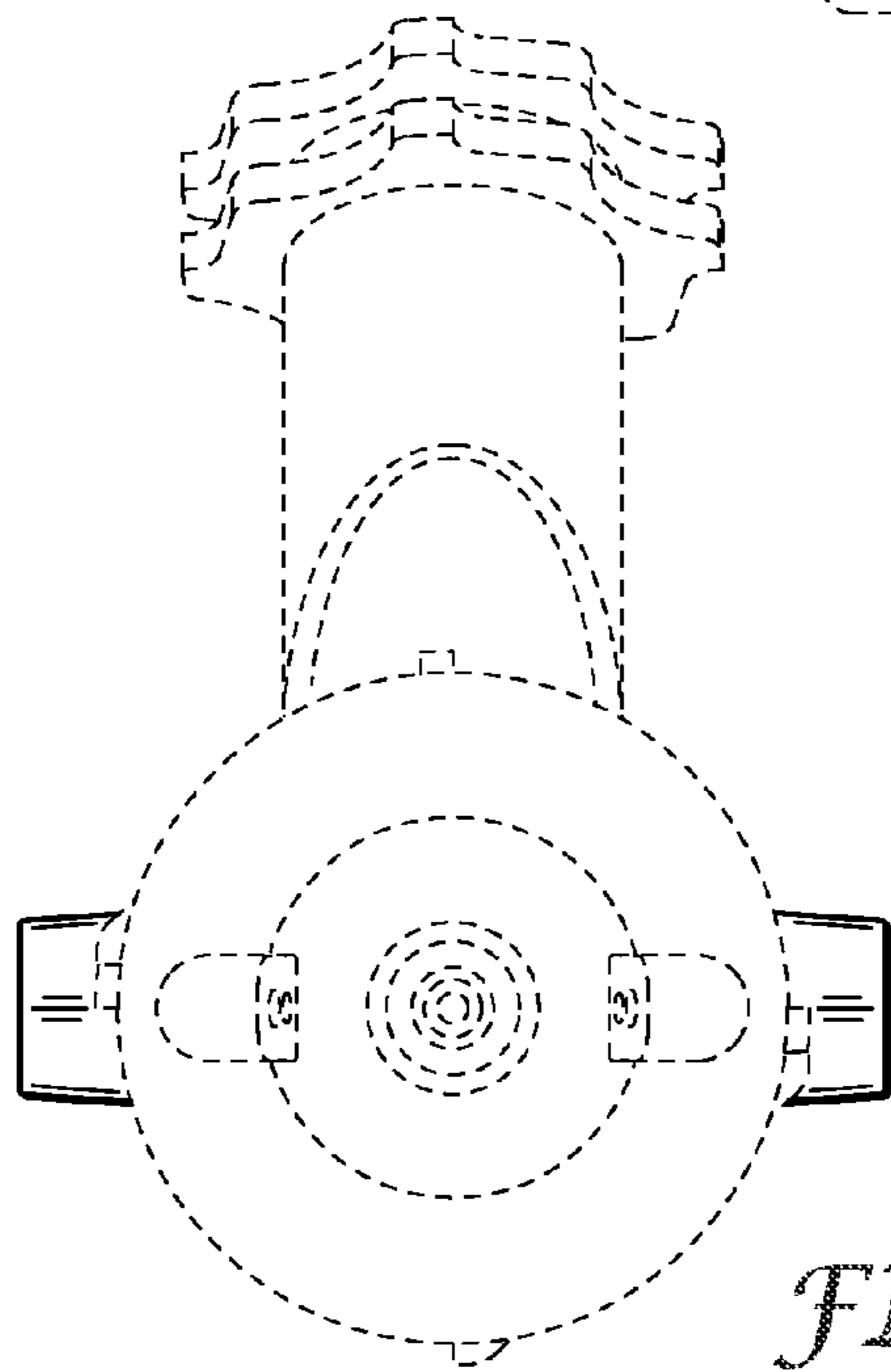


FIG. 3

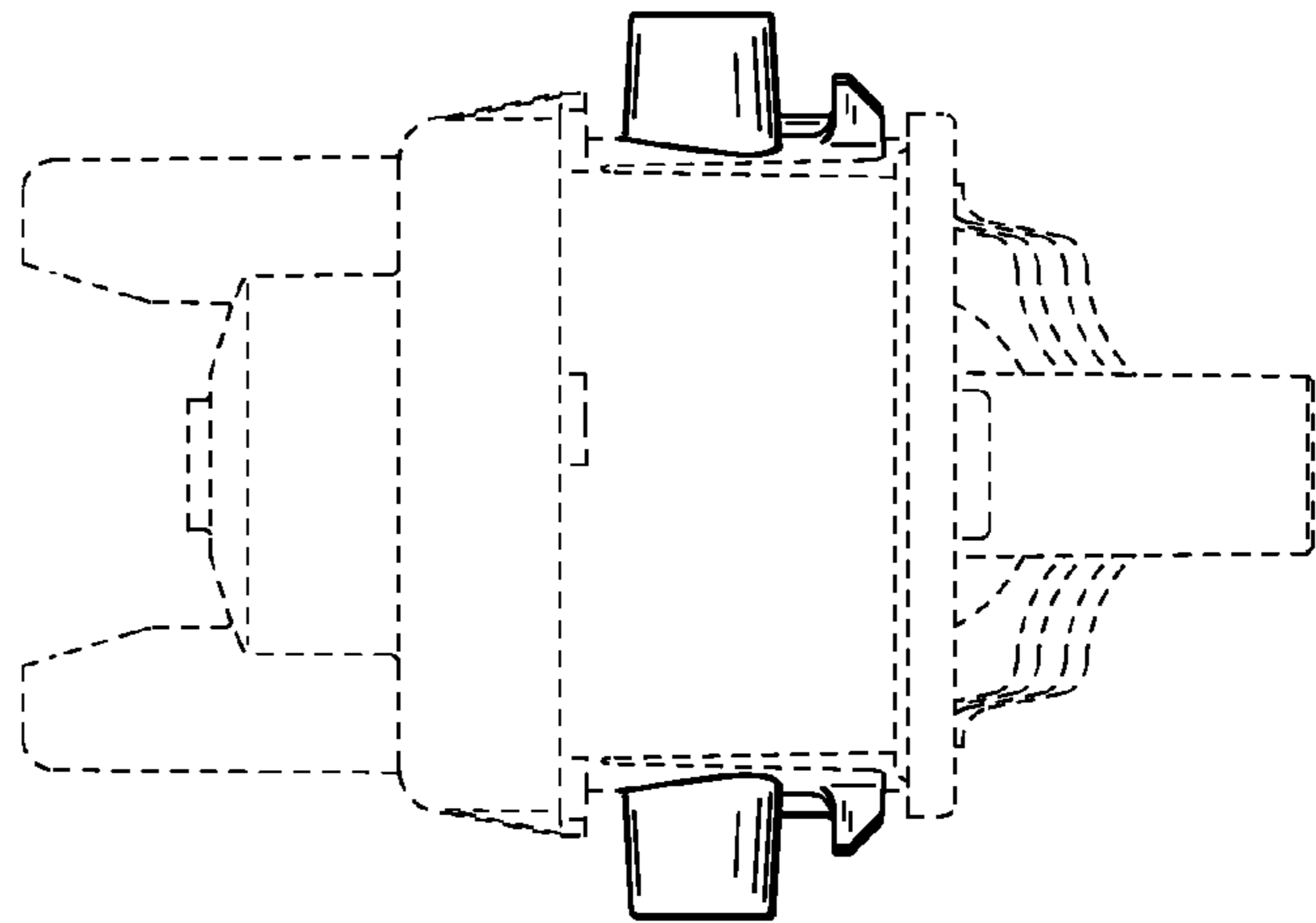


FIG. 4

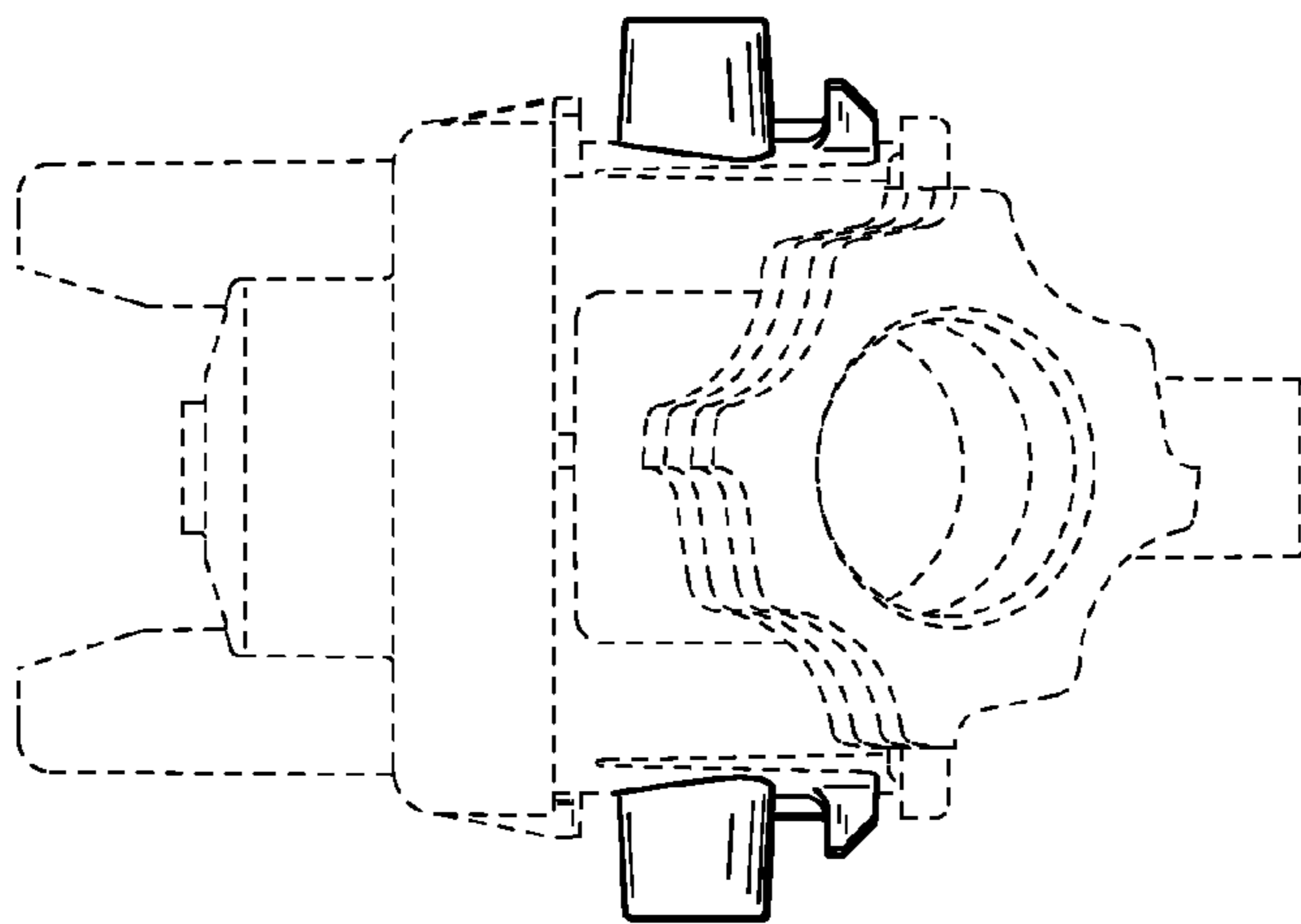


FIG. 5

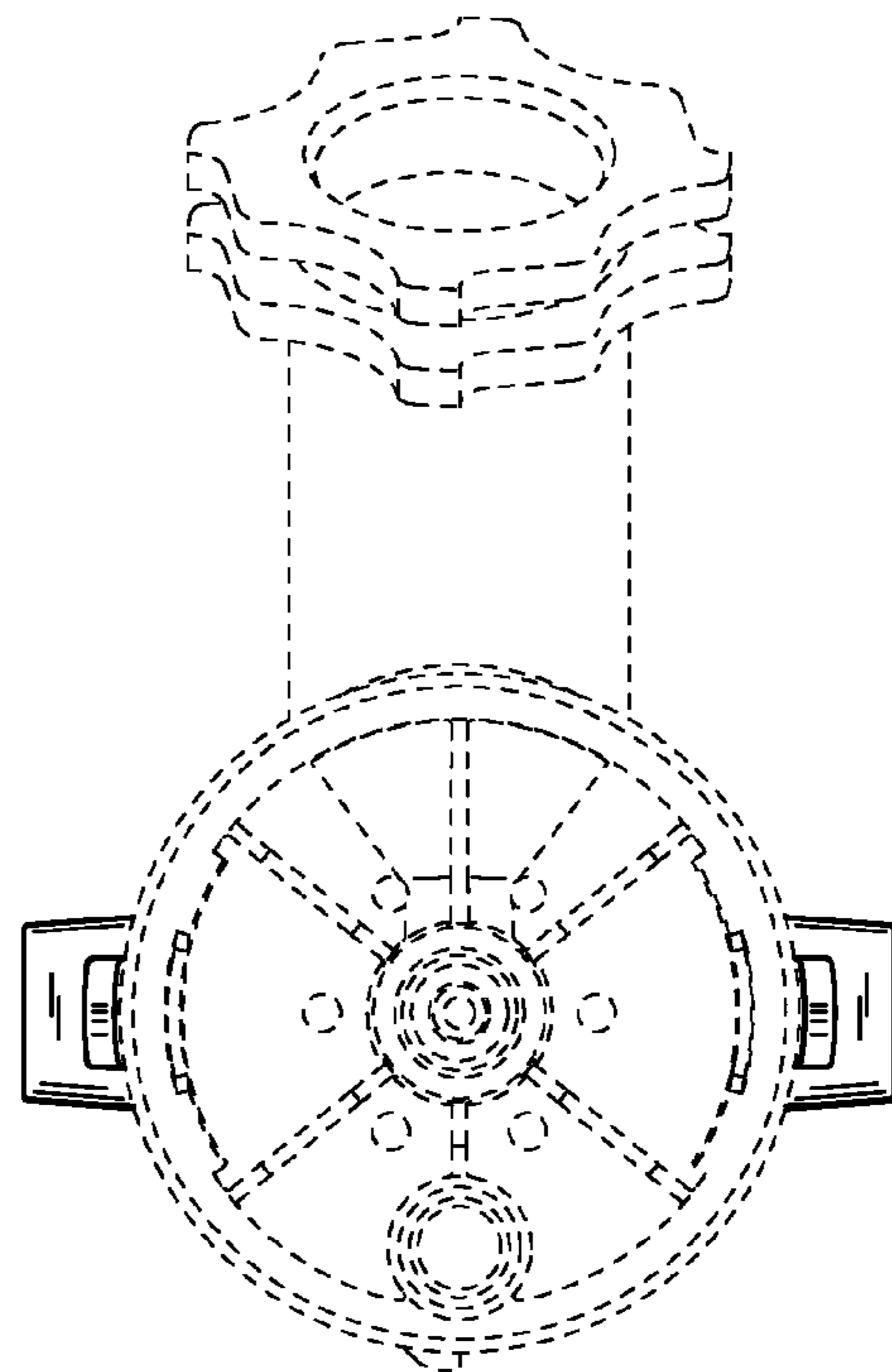


FIG. 6