



US00D627426S

(12) **United States Design Patent**
Perdue et al.

(10) **Patent No.:** **US D627,426 S**

(45) **Date of Patent:** **** *Nov. 16, 2010**

(54) **BOTTOM ENTRY WATER TREATMENT TANK**

(75) Inventors: **Raymond Perdue**, Glenwood, IL (US);
Scott Watkins, Glenwood, IL (US)

(73) Assignee: **Nalco Crossbow Water, LLC**,
Glenwood, IL (US)

(*) Notice: This patent is subject to a terminal disclaimer.

(**) Term: **14 Years**

(21) Appl. No.: **29/328,372**

(22) Filed: **Nov. 24, 2008**

(51) **LOC (9) Cl.** **23-01**

(52) **U.S. Cl.** **D23/202**

(58) **Field of Classification Search** D23/202–205;
220/581, 587, 565, 567.1, 532.2, 533
See application file for complete search history.

(56) **References Cited**

U.S. PATENT DOCUMENTS

| | | | | | |
|------------|---|---------|-------------------|-------|---------|
| D222,252 S | * | 10/1971 | Coleman et al. | | D23/205 |
| D222,254 S | * | 10/1971 | Kattelmann et al. | | D23/205 |
| D347,257 S | * | 5/1994 | McGrew, Jr. | | D23/202 |
| D415,553 S | * | 10/1999 | Wolfe | | D23/202 |
| D418,196 S | * | 12/1999 | Faltys et al. | | D23/202 |

OTHER PUBLICATIONS

Crossbow Industrial Water D1 ExpressSM Portable Exchange Mixedbed Deionizer, Model J136M Product Description, available prior to Nov. 2008.

Crossbow Industrial Water D1 ExpressSM Portable Exchange Mixedbed Deionizer, Model J42M Product Description, available prior to Nov. 2008.

* cited by examiner

Primary Examiner—Robin V Webster

(74) *Attorney, Agent, or Firm*—Edward O. Yonter; Michael B. Martin

(57) **CLAIM**

The ornamental design for a bottom entry water treatment tank, as shown and described.

DESCRIPTION

FIG. 1 is a front perspective view of the bottom entry water treatment tank of the instant invention;

FIG. 2 is a front view thereof;

FIG. 3 is a rear view thereof;

FIG. 4 is a left side view thereof;

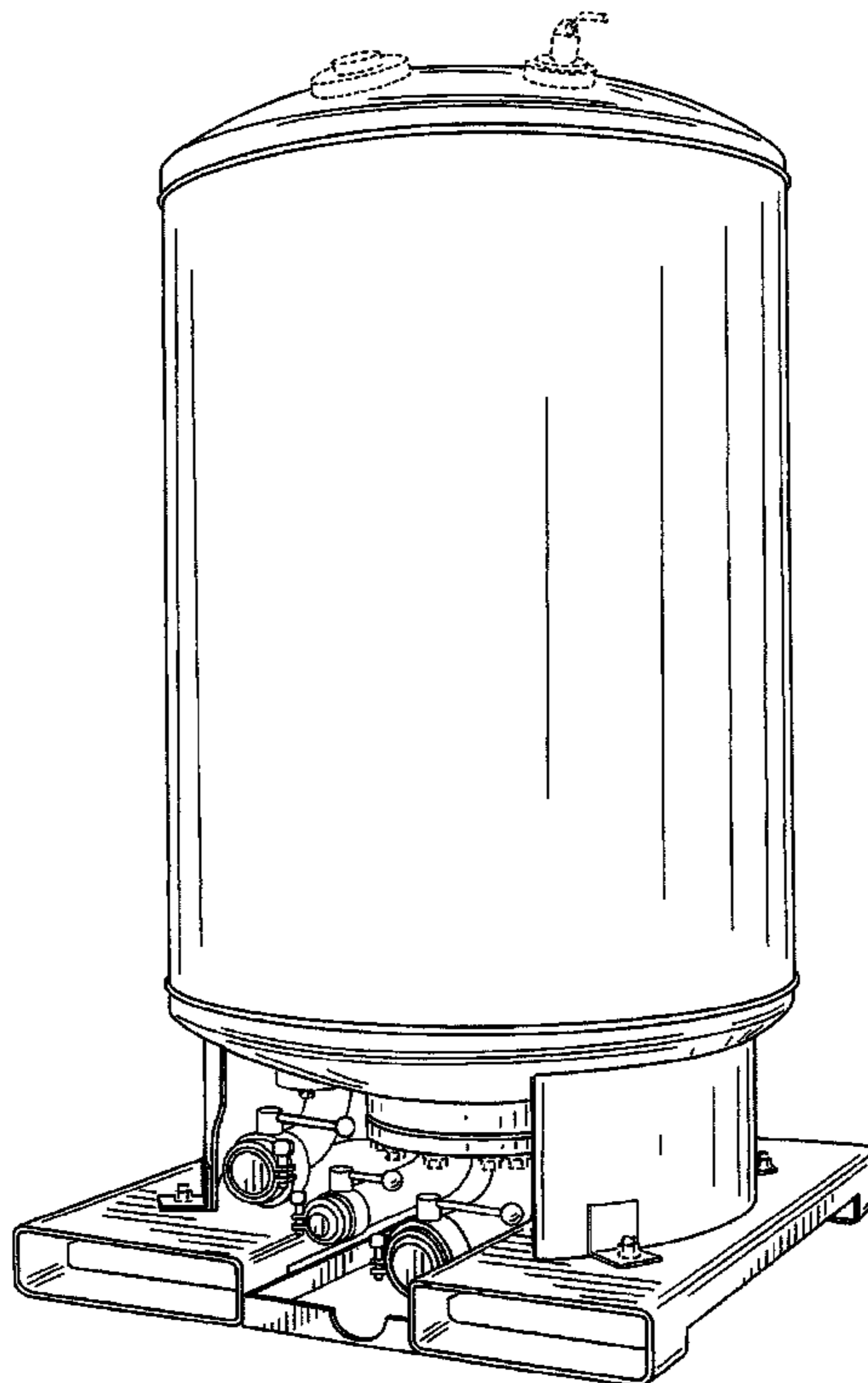
FIG. 5 is a right side view thereof;

FIG. 6 is a top view thereof; and,

FIG. 7 is a bottom view thereof.

The broken line showing is included for the purpose of illustrating and forms no part of the claimed design.

1 Claim, 7 Drawing Sheets



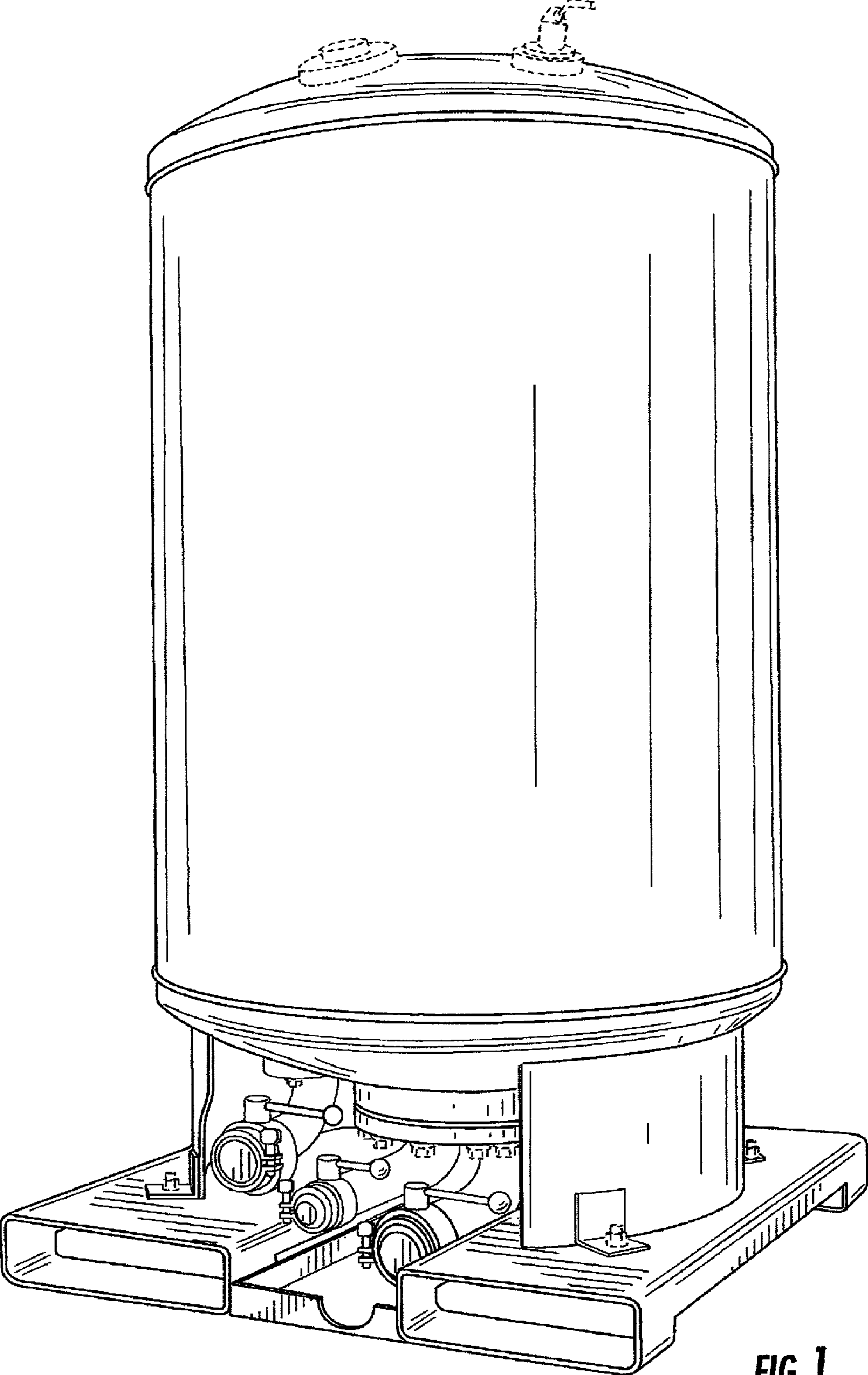


FIG. 1

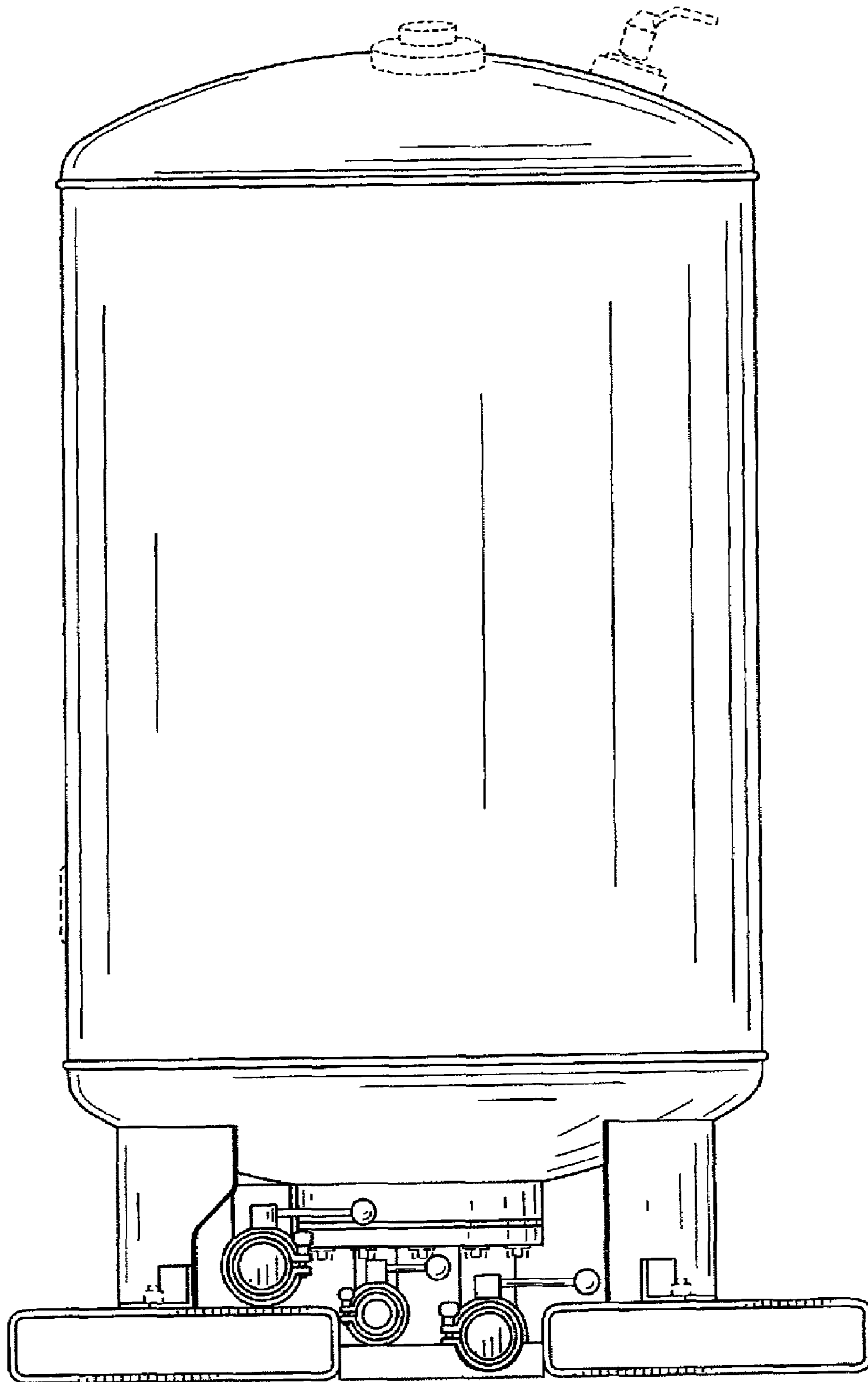


FIG. 2

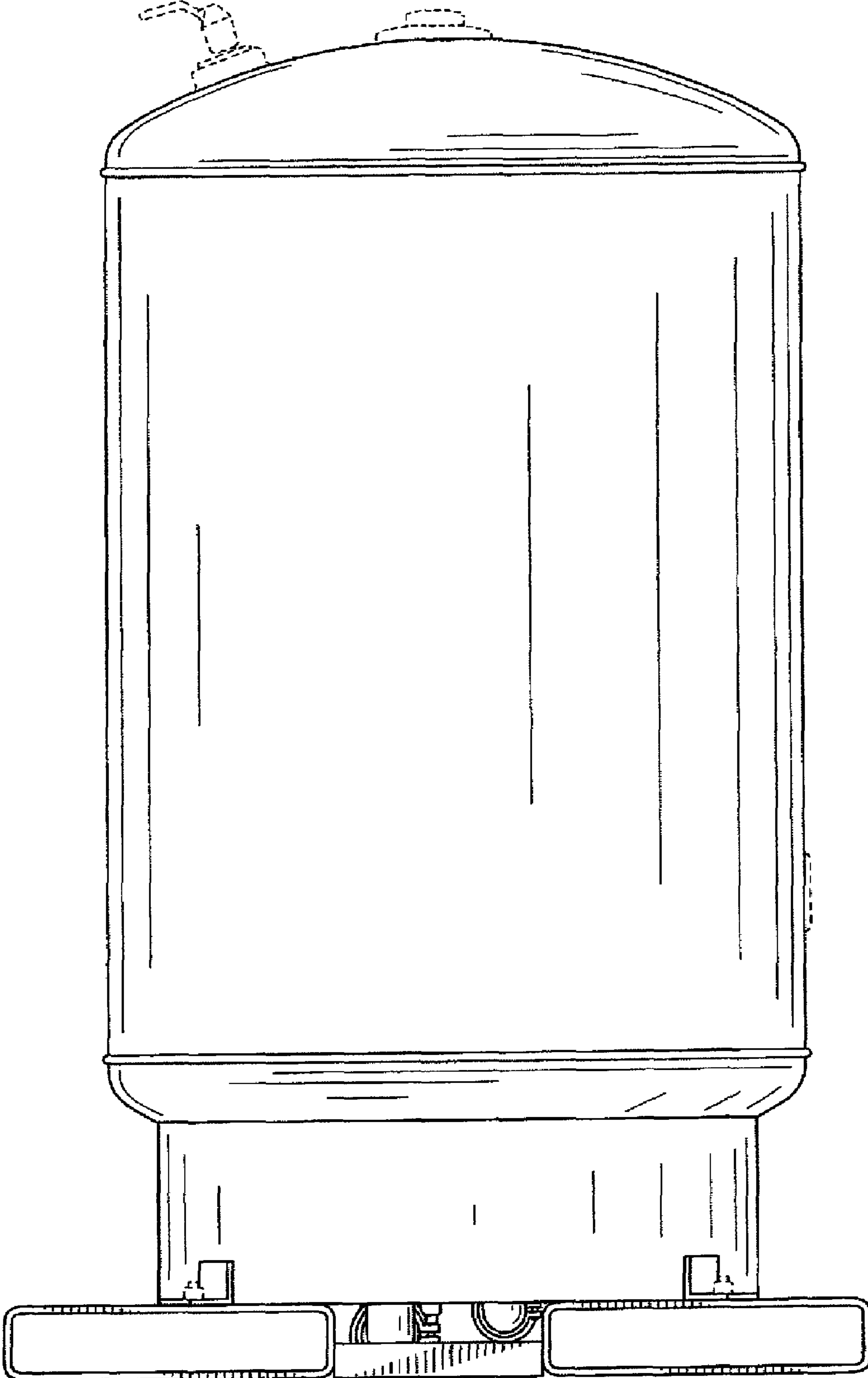


FIG. 3

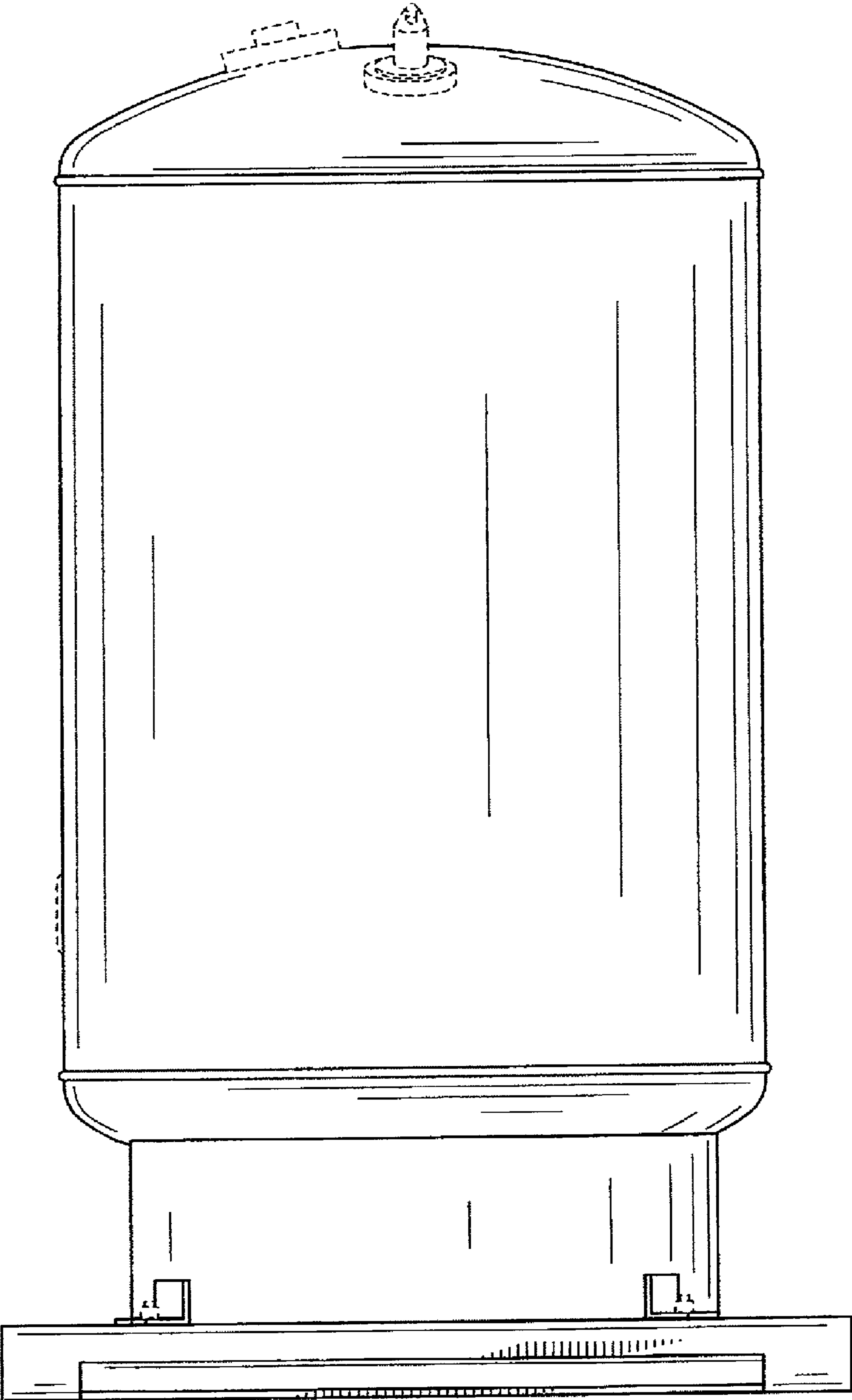


FIG. 4

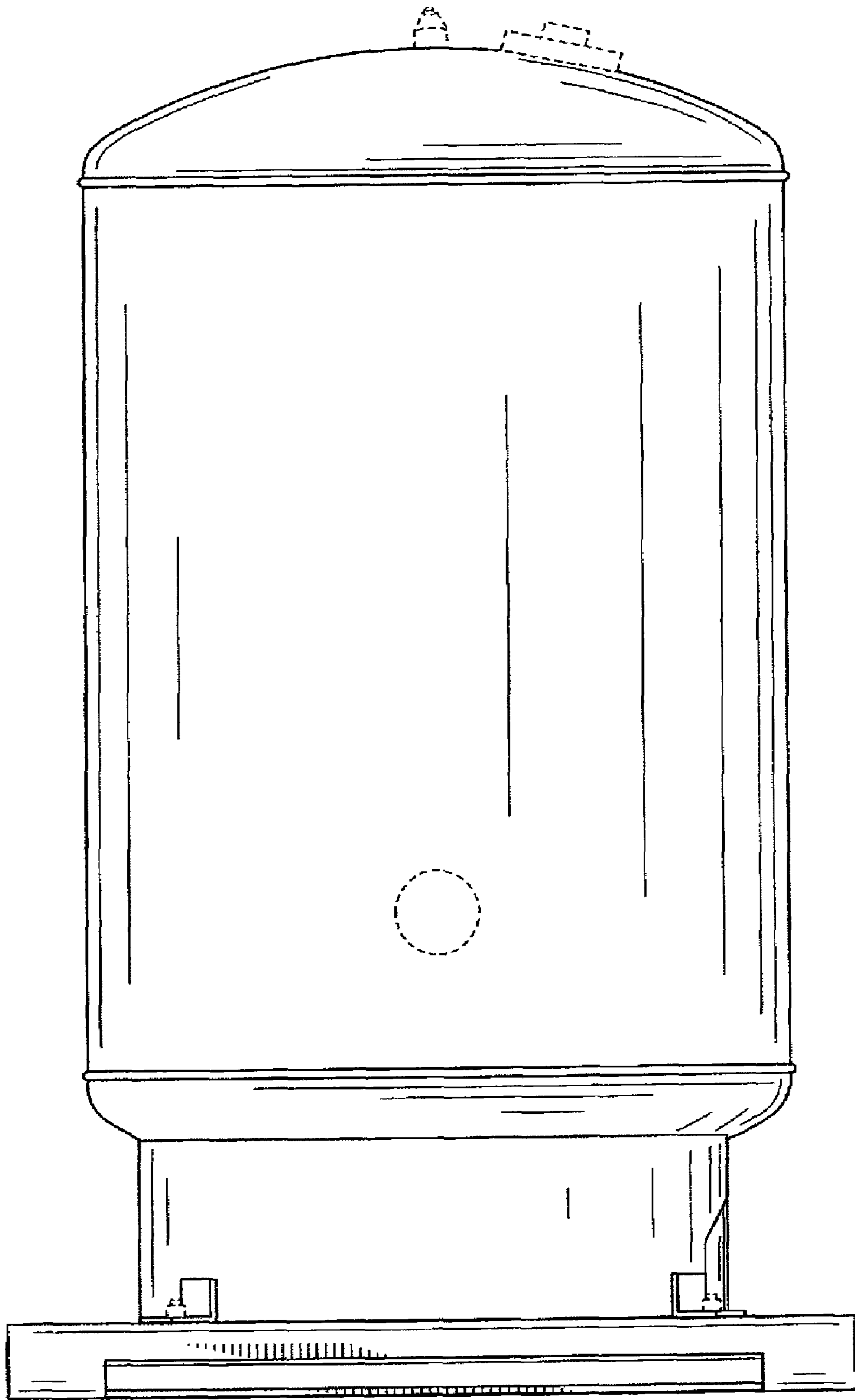


FIG. 5

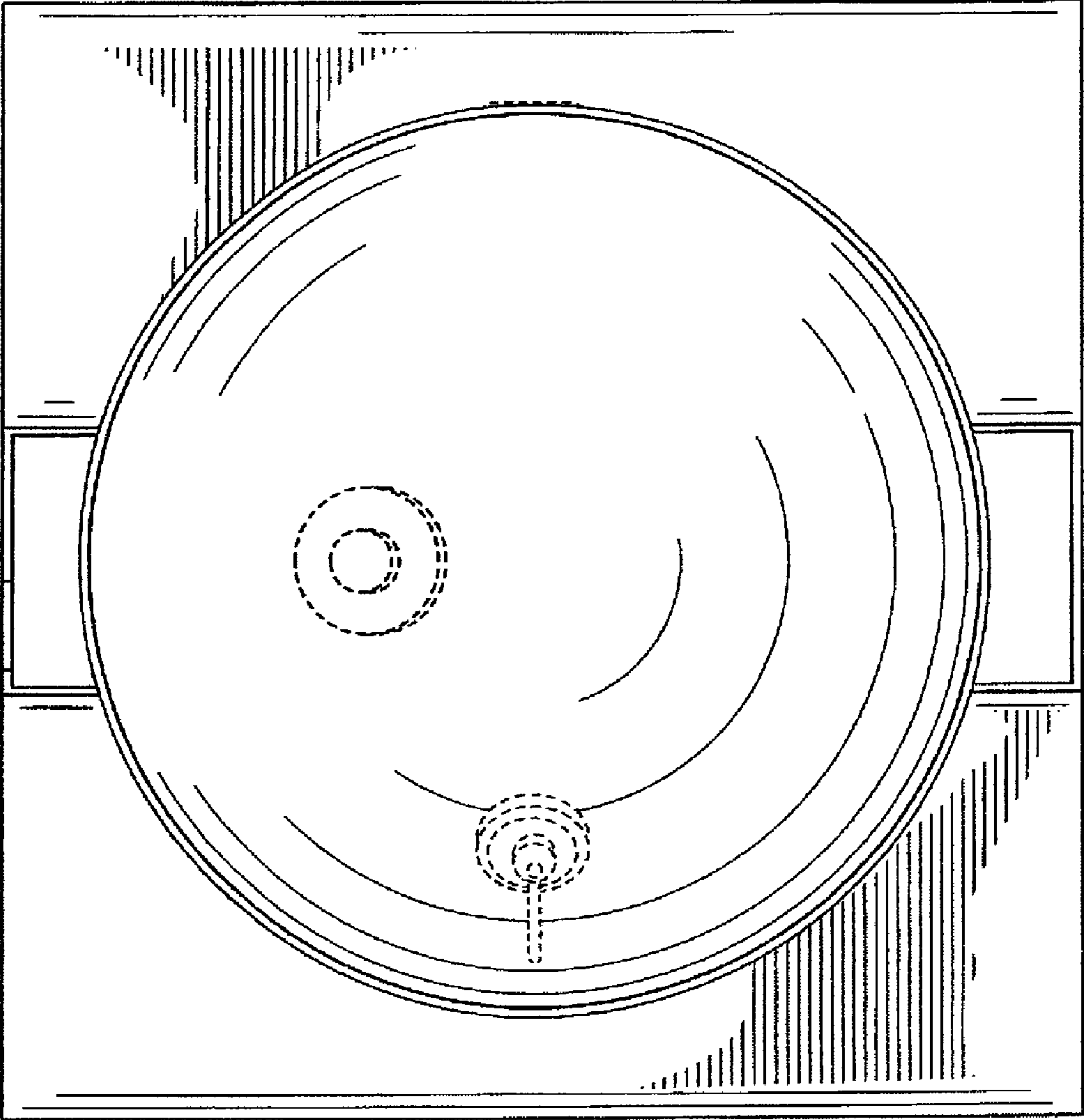


FIG. 6

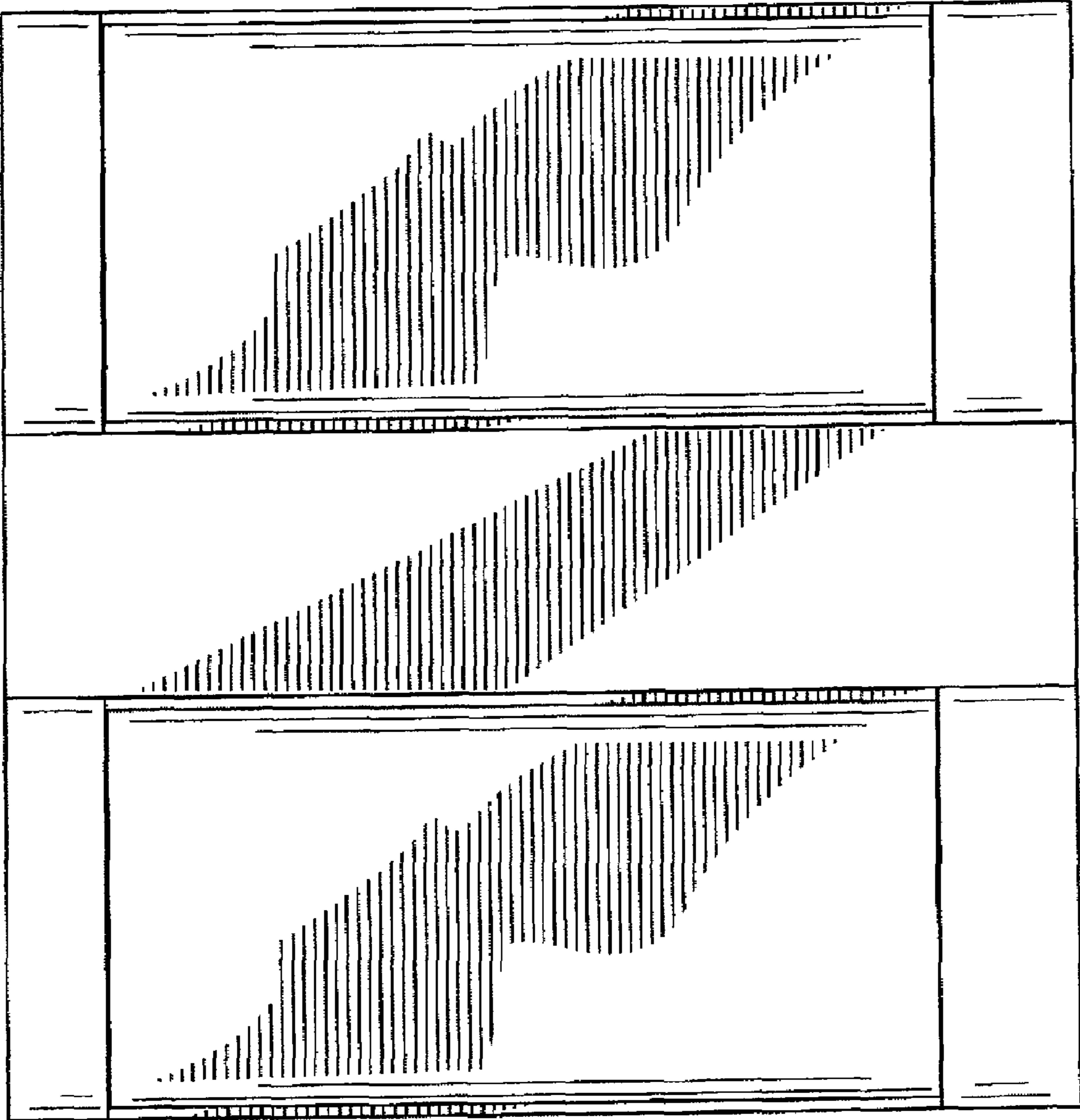


FIG. 7