



US00D627424S

(12) **United States Design Patent**
Noma

(10) **Patent No.:** **US D627,424 S**
(45) **Date of Patent:** **** Nov. 16, 2010**

(54) **FISHING REEL KNOB**

(75) Inventor: **Natsuki Noma**, Osaka (JP)

(73) Assignee: **Shimano Inc.**, Osaka (JP)

(**) Term: **14 Years**

(21) Appl. No.: **29/363,213**

(22) Filed: **Jun. 7, 2010**

(30) **Foreign Application Priority Data**

Jan. 8, 2010 (JP) 2010-404

(51) **LOC (9) Cl.** **22-05**

(52) **U.S. Cl.** **D22/142**

(58) **Field of Classification Search** D22/142,
D22/134-139, 199; 43/18.1, 20, 22-23;
D8/310

See application file for complete search history.

(56) **References Cited**

U.S. PATENT DOCUMENTS

D466,181 S * 11/2002 DeSorcy D22/142
D530,593 S * 10/2006 Kosasih et al. D8/310
D607,532 S * 1/2010 Tsutsumi et al. D22/142

* cited by examiner

Primary Examiner—Catherine R Oliver
(74) *Attorney, Agent, or Firm*—Global IP Counselors, LLP

(57) **CLAIM**

The ornamental design for a fishing reel knob, as shown and described.

DESCRIPTION

FIG. 1 is a first perspective view of a fishing reel knob in accordance with my new design;

FIG. 2 is a second perspective view of the fishing reel knob illustrated in FIG. 1;

FIG. 3 is a first side elevational view of the fishing reel knob illustrated in FIG. 1;

FIG. 4 is a second side elevational view of the fishing reel knob illustrated in FIG. 1 that is opposite side view of FIG. 3;

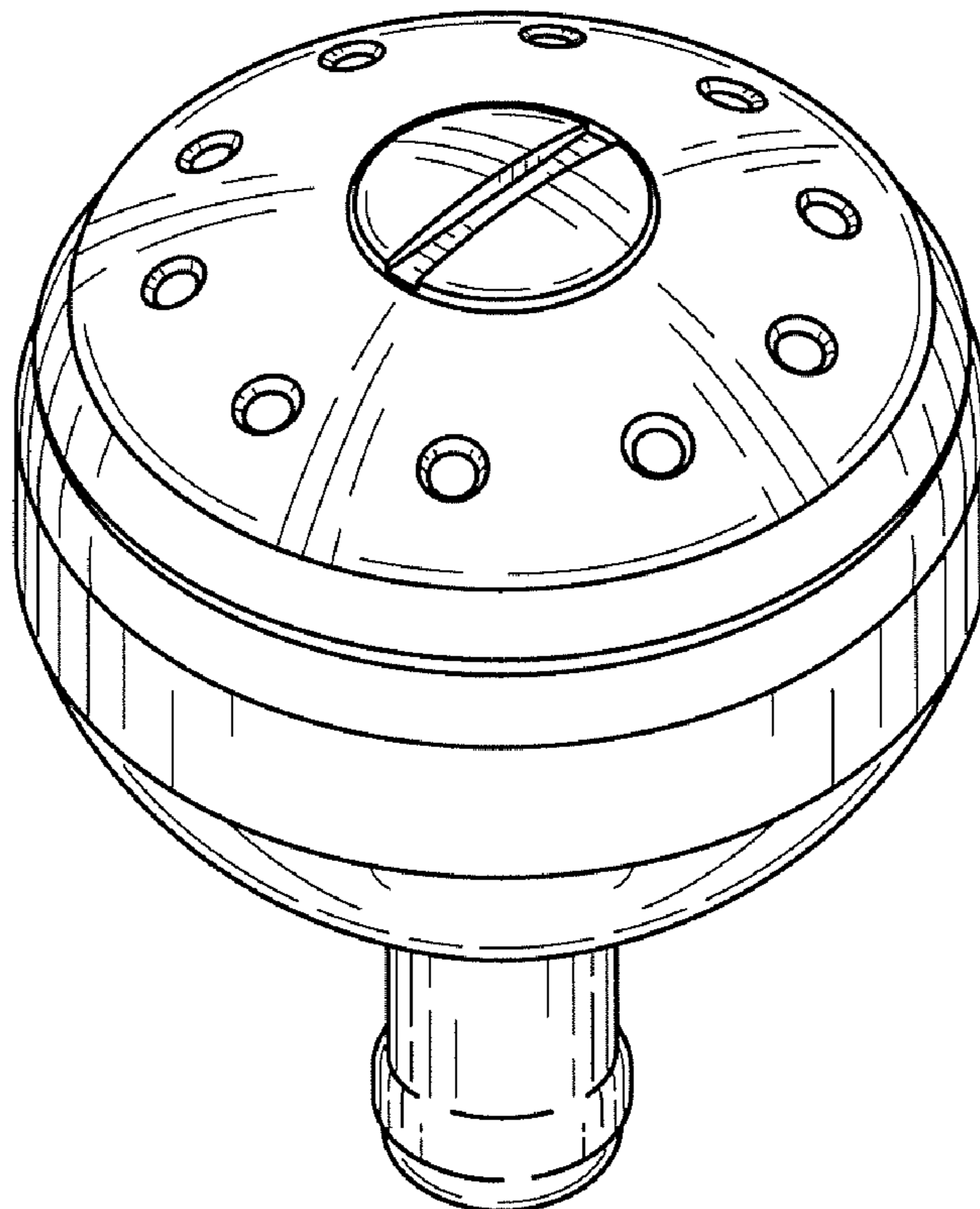
FIG. 5 is a top plan view of the fishing reel knob illustrated in FIG. 1;

FIG. 6 is a bottom plan view of the fishing reel knob illustrated in FIG. 1;

FIG. 7 is a left side elevational view of the fishing reel knob with respect to FIG. 5; and,

FIG. 8 is a right side elevational view of the fishing reel knob with respect to FIG. 5.

1 Claim, 4 Drawing Sheets



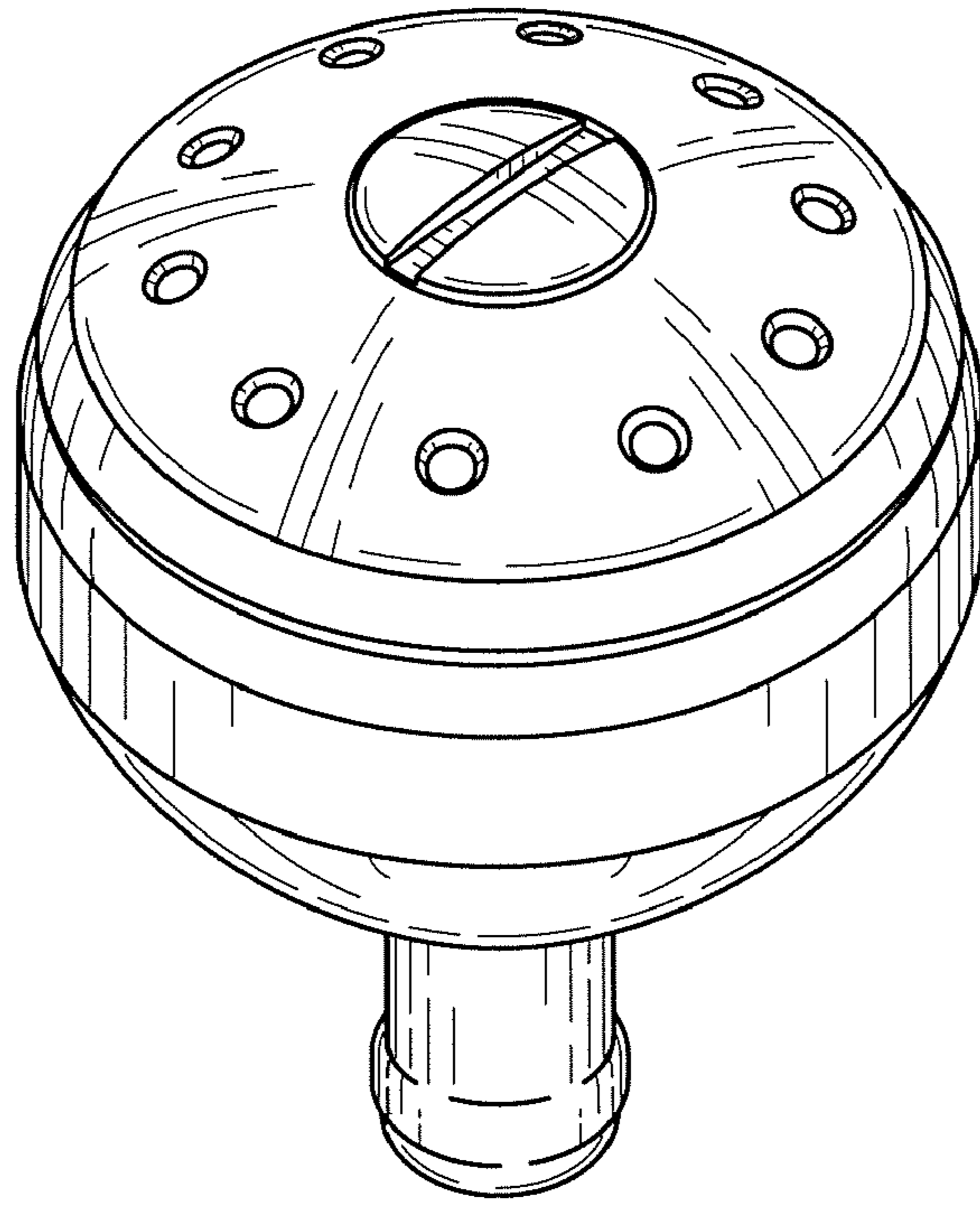


FIG. 1

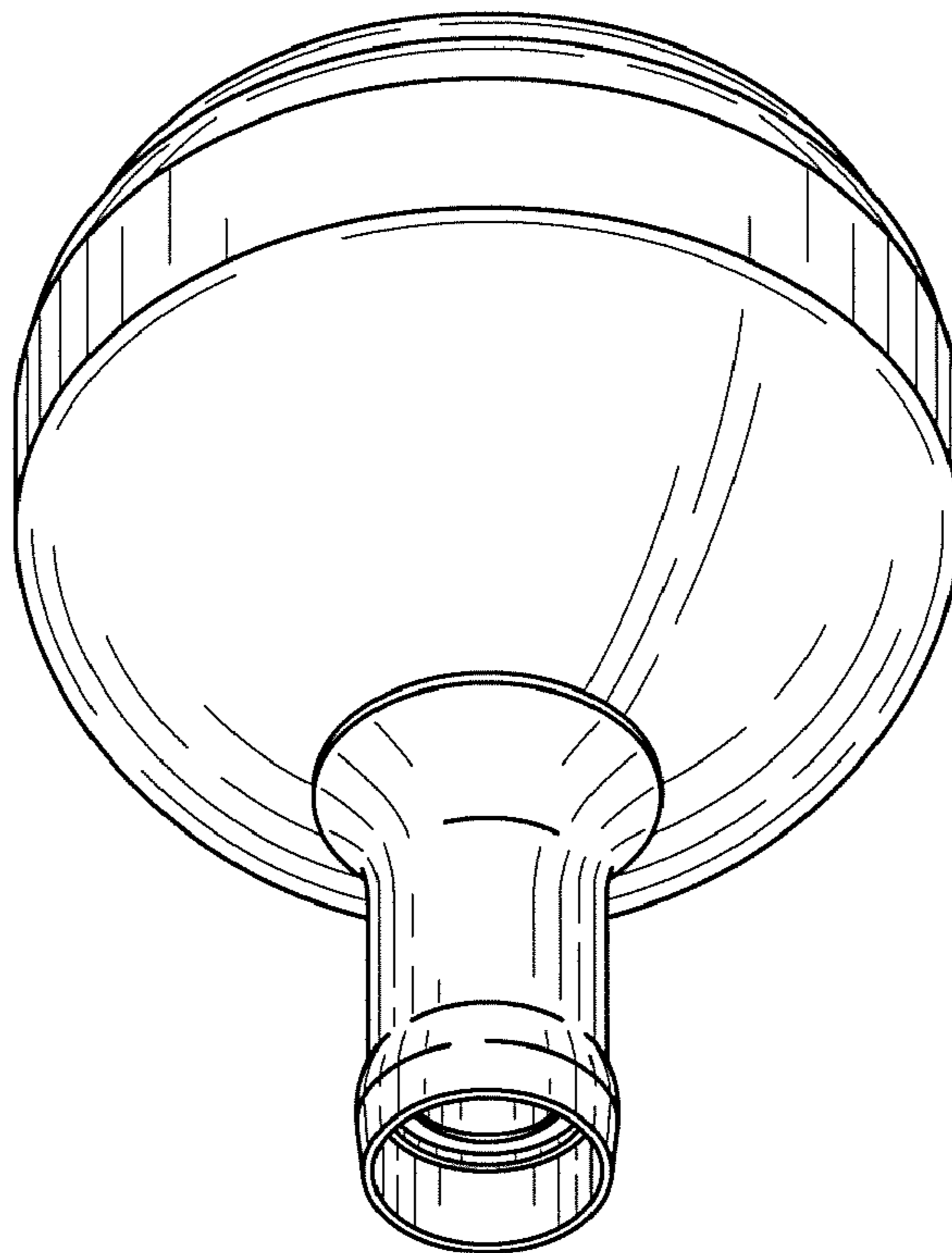


FIG. 2

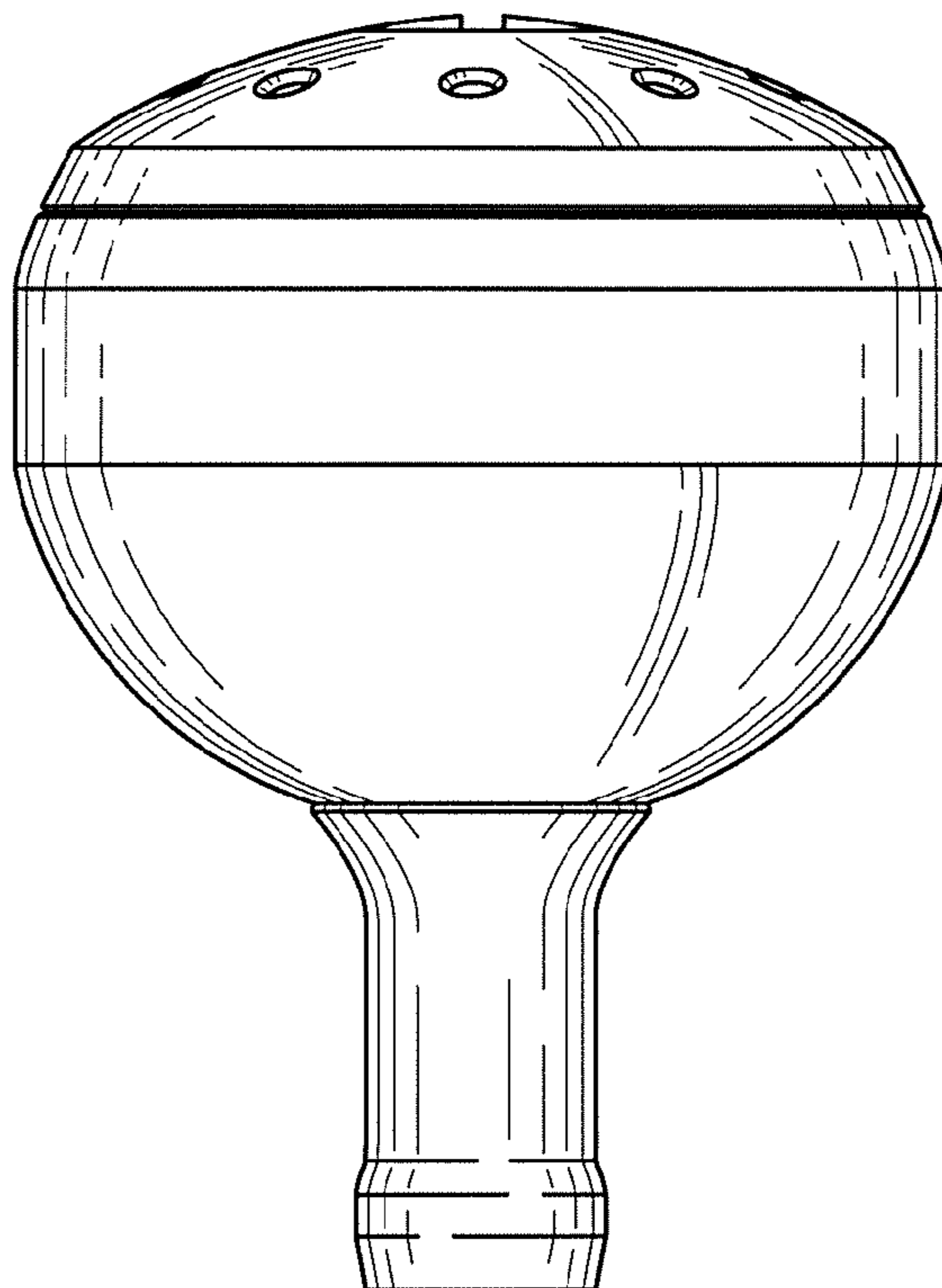


FIG. 3

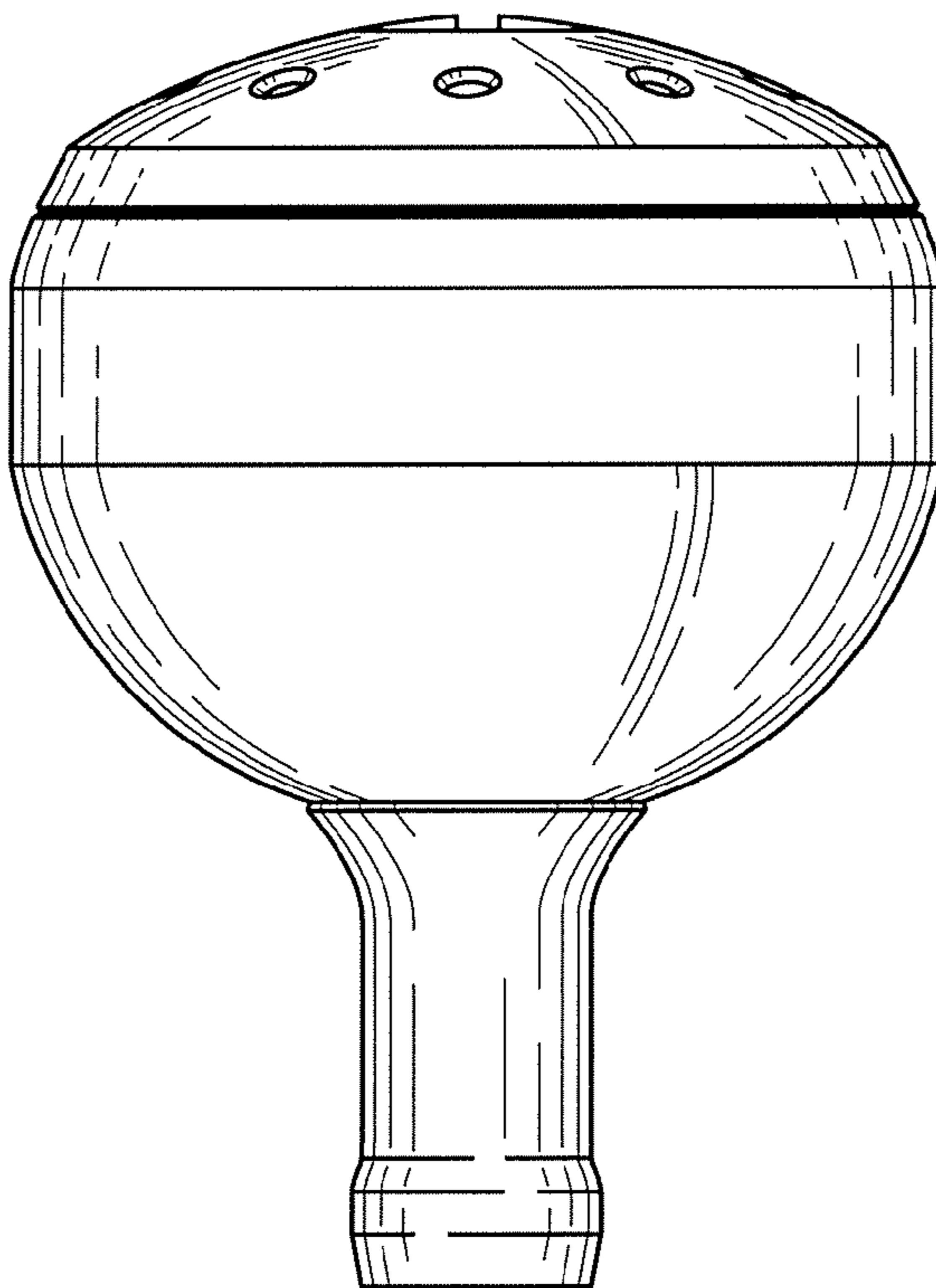


FIG. 4

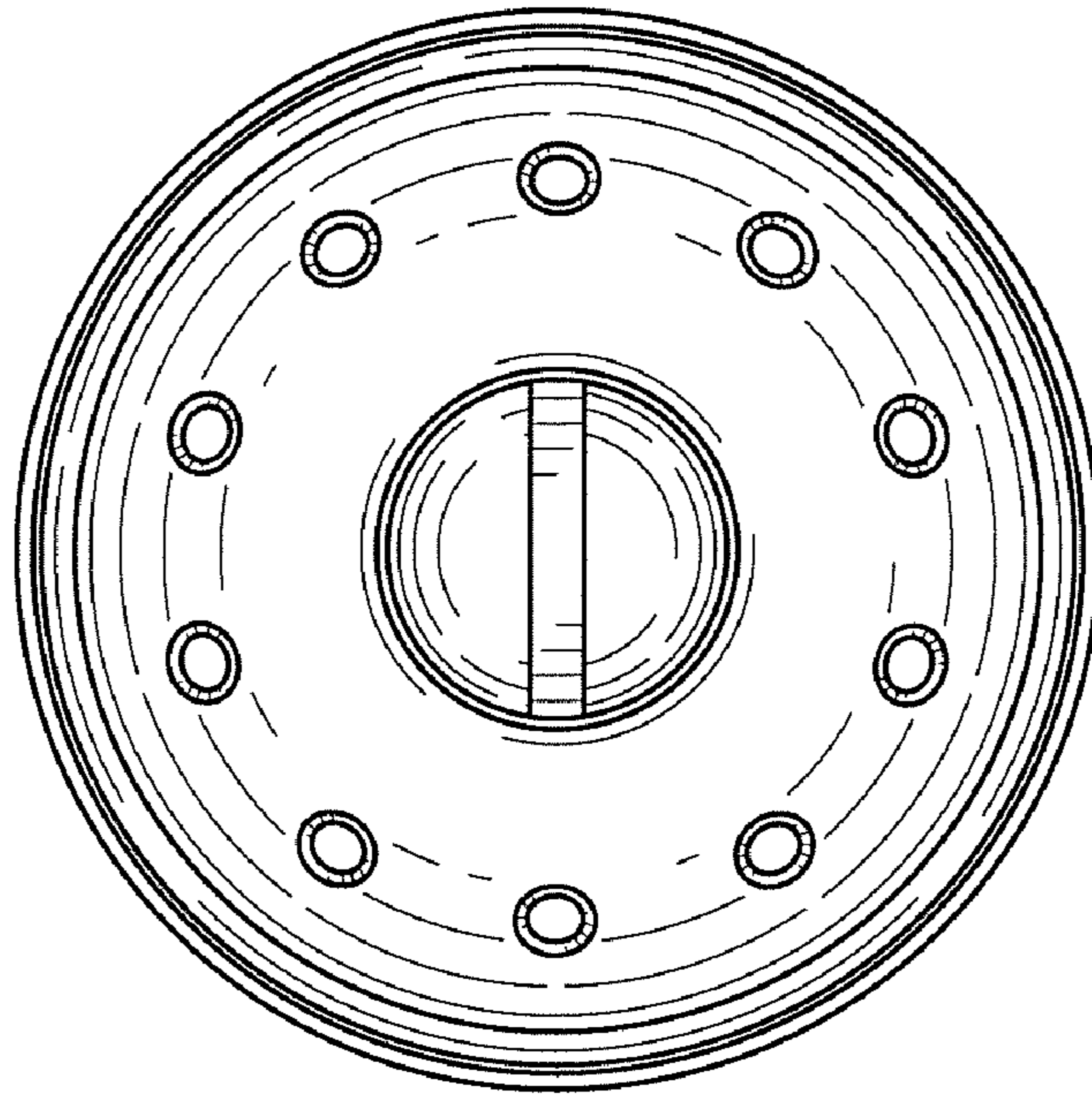


FIG. 5

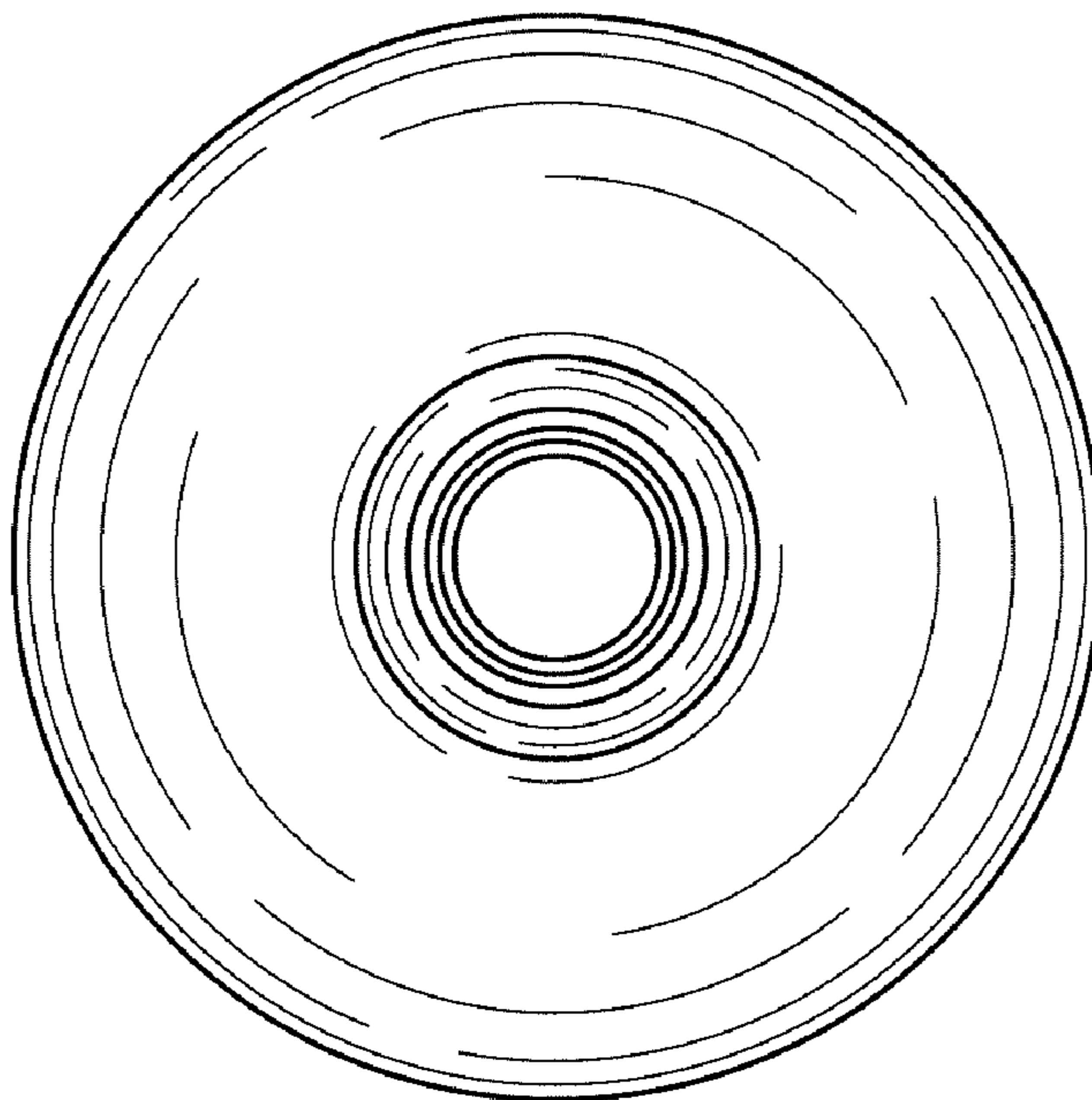


FIG. 6

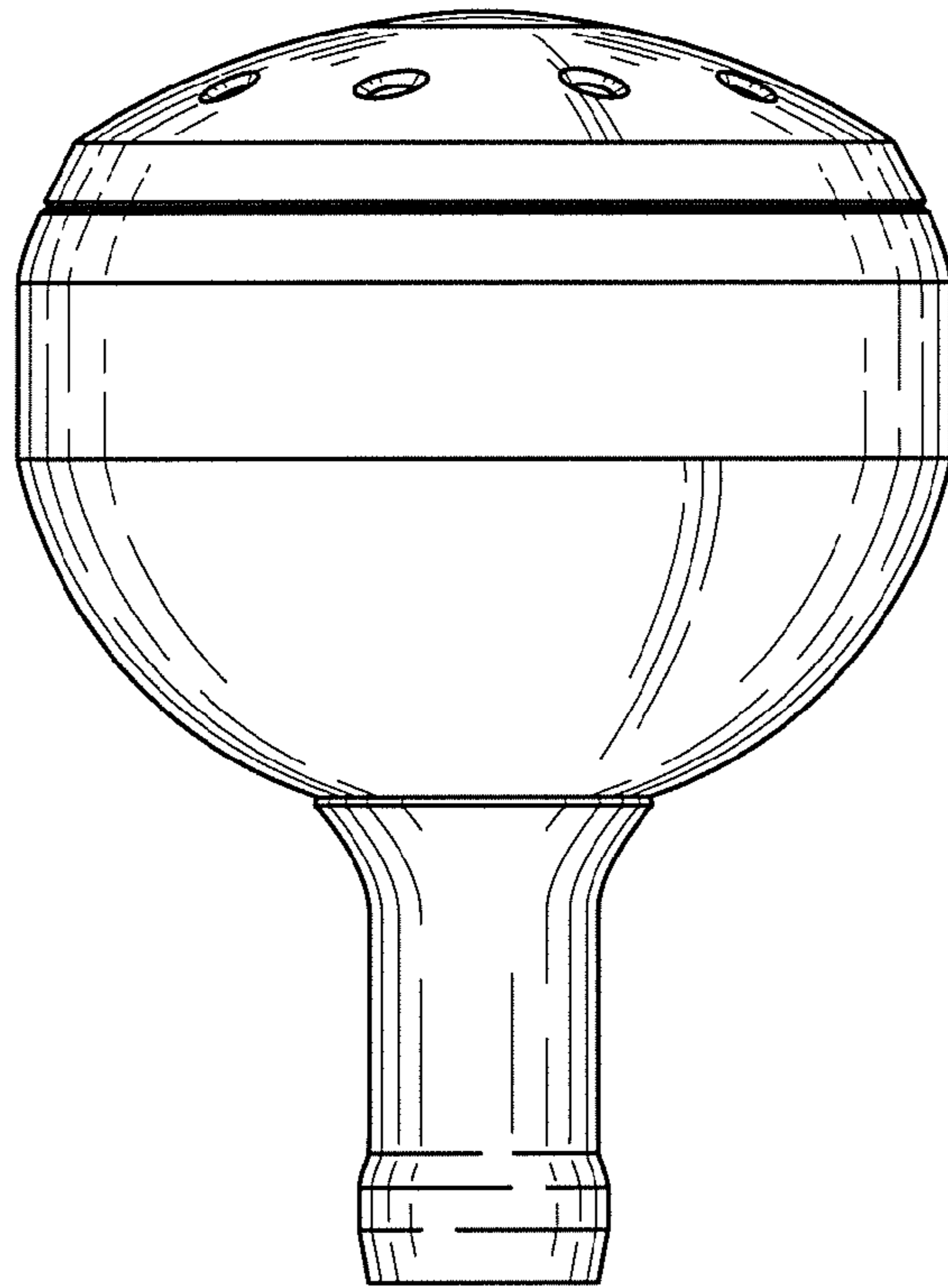


FIG. 7

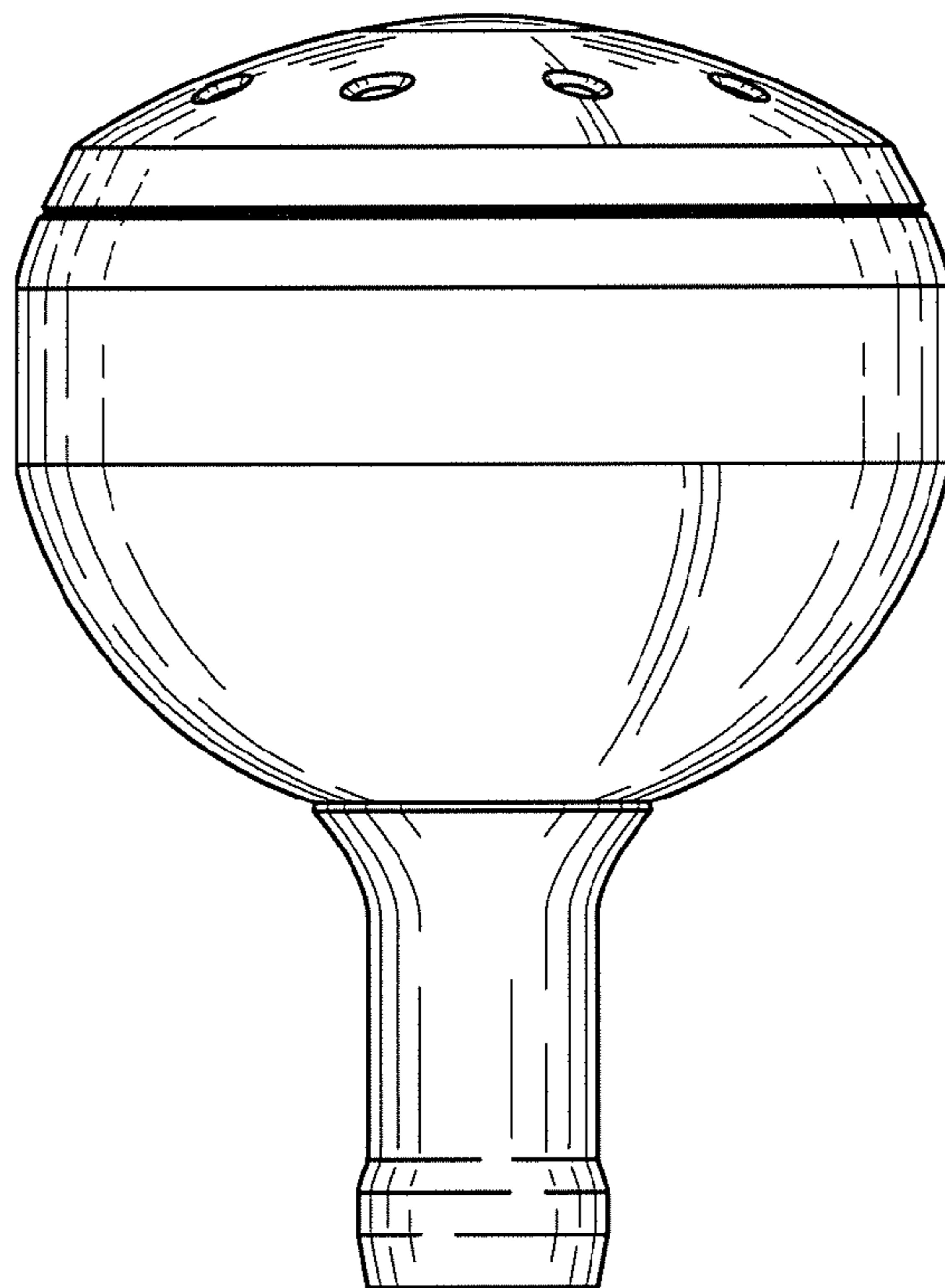


FIG. 8