



US00D627423S

(12) **United States Design Patent**
Noma

(10) **Patent No.:** **US D627,423 S**
(45) **Date of Patent:** **** Nov. 16, 2010**

(54) **FISHING REEL PORTION**

(75) Inventor: **Natsuki Noma**, Osaka (JP)

(73) Assignee: **Shimano Inc.**, Osaka (JP)

(**) Term: **14 Years**

(21) Appl. No.: **29/364,073**

(22) Filed: **Jun. 18, 2010**

(30) **Foreign Application Priority Data**

Dec. 28, 2009 (JP) 2009-30552

(51) **LOC (9) Cl.** **22-05**

(52) **U.S. Cl.** **D22/141**

(58) **Field of Classification Search** D22/141,
D22/137-140, 142; 242/310-316, 223-224,
242/230, 283, 322, 242; 43/19-22

See application file for complete search history.

(56) **References Cited**

U.S. PATENT DOCUMENTS

D400,960 S * 11/1998 Yoshikawa et al. D22/141

D574,461 S * 8/2008 Nago D22/141

D579,513 S * 10/2008 Iwabuchi D22/141

D589,586 S * 3/2009 Noma D22/141

D620,073 S * 7/2010 Tabuse et al. D22/141

* cited by examiner

Primary Examiner—Catherine R Oliver

(74) *Attorney, Agent, or Firm*—Global IP Counselors, LLP

(57) **CLAIM**

The ornamental design for a fishing reel portion, as shown and described.

DESCRIPTION

FIG. 1 is a first perspective view of a fishing reel with a fishing reel portion in accordance with my new design;

FIG. 2 is a second perspective view of the fishing reel with the fishing reel portion illustrated in FIG. 1;

FIG. 3 is a first end elevational view of the fishing reel with the fishing reel portion illustrated in FIG. 1;

FIG. 4 is a second end elevational view of the fishing reel illustrated in FIG. 1 with the fishing reel portion completely hidden from sight;

FIG. 5 is a top plan view of the fishing reel with the fishing reel portion illustrated in FIG. 1;

FIG. 6 is a bottom plan view of the fishing reel with the fishing reel portion illustrated in FIG. 1;

FIG. 7 is a first side elevational view of the fishing reel with the fishing reel portion illustrated in FIG. 1;

FIG. 8 is a second side elevational view of the fishing reel with the fishing reel portion illustrated in FIG. 1;

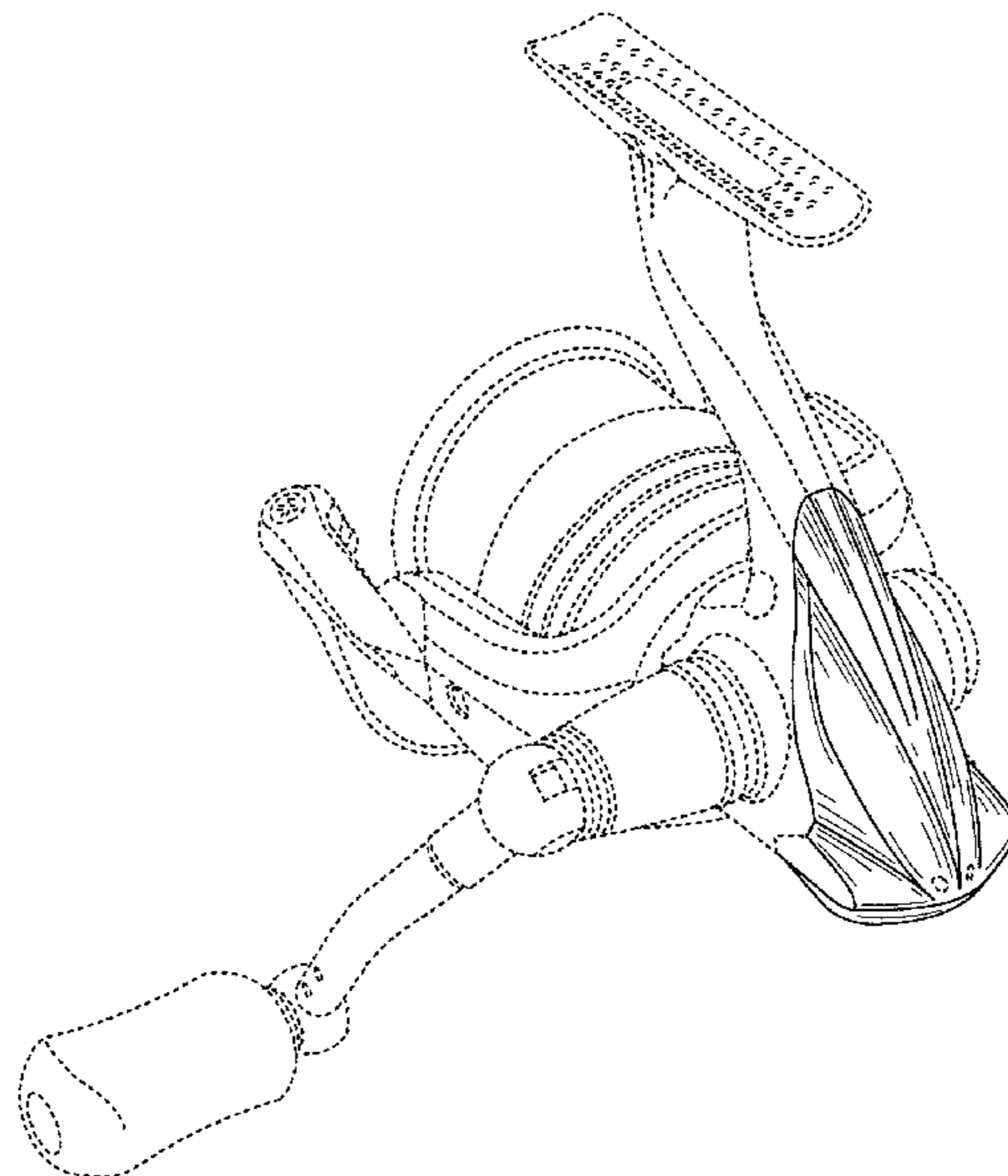
FIG. 9 is a first enlarged, partial perspective view of the fishing reel with the fishing reel portion illustrated in FIG. 1;

FIG. 10 is a second enlarged, partial perspective view of the fishing reel with the fishing reel portion illustrated in FIG. 1; and,

FIG. 11 is an enlarged, partial end view of the fishing reel with the fishing reel portion illustrated in FIG. 1.

The broken line showing of the fishing reel is for purpose of illustrating environmental structure and forms no part of the claimed design.

1 Claim, 6 Drawing Sheets



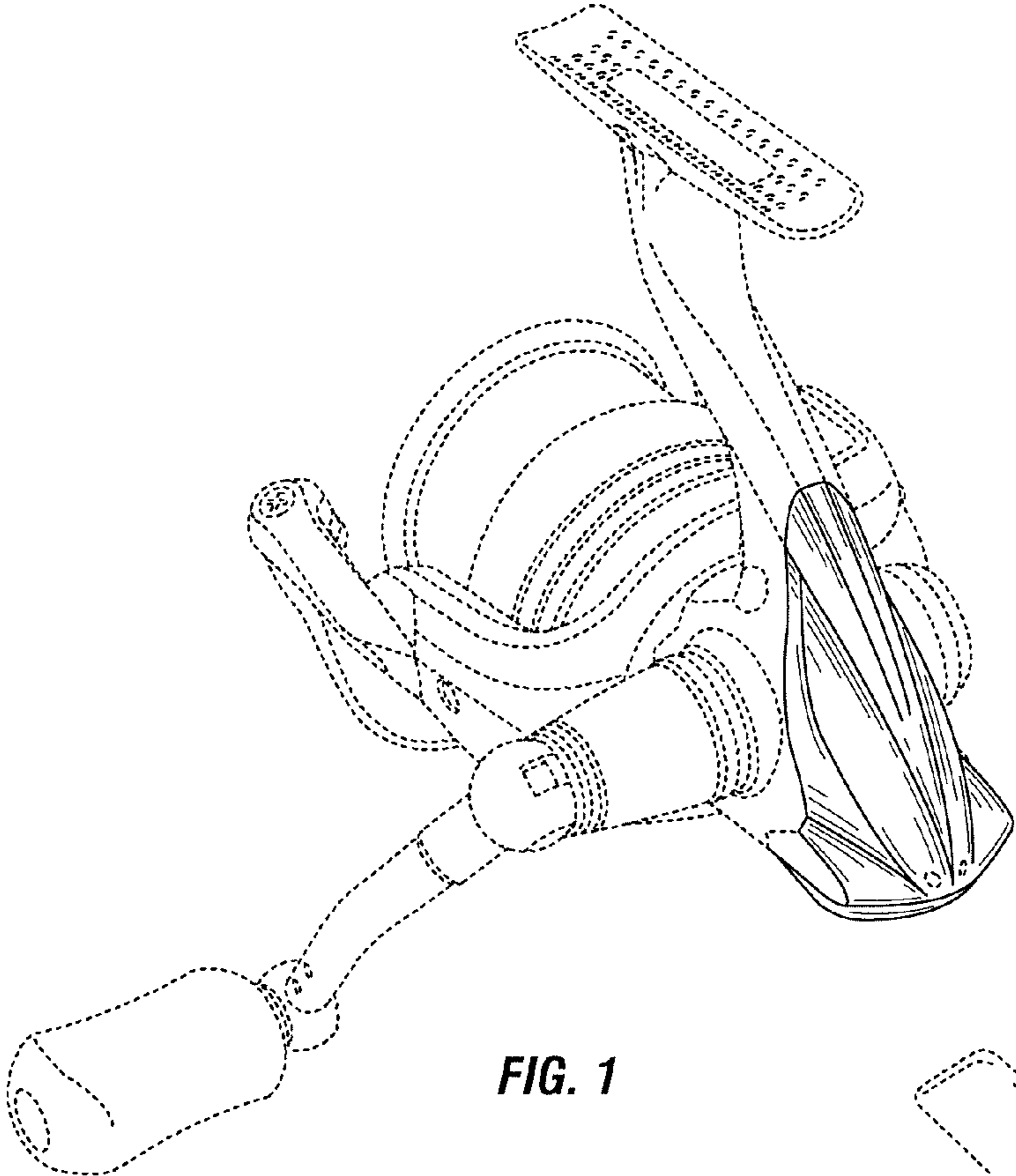


FIG. 1

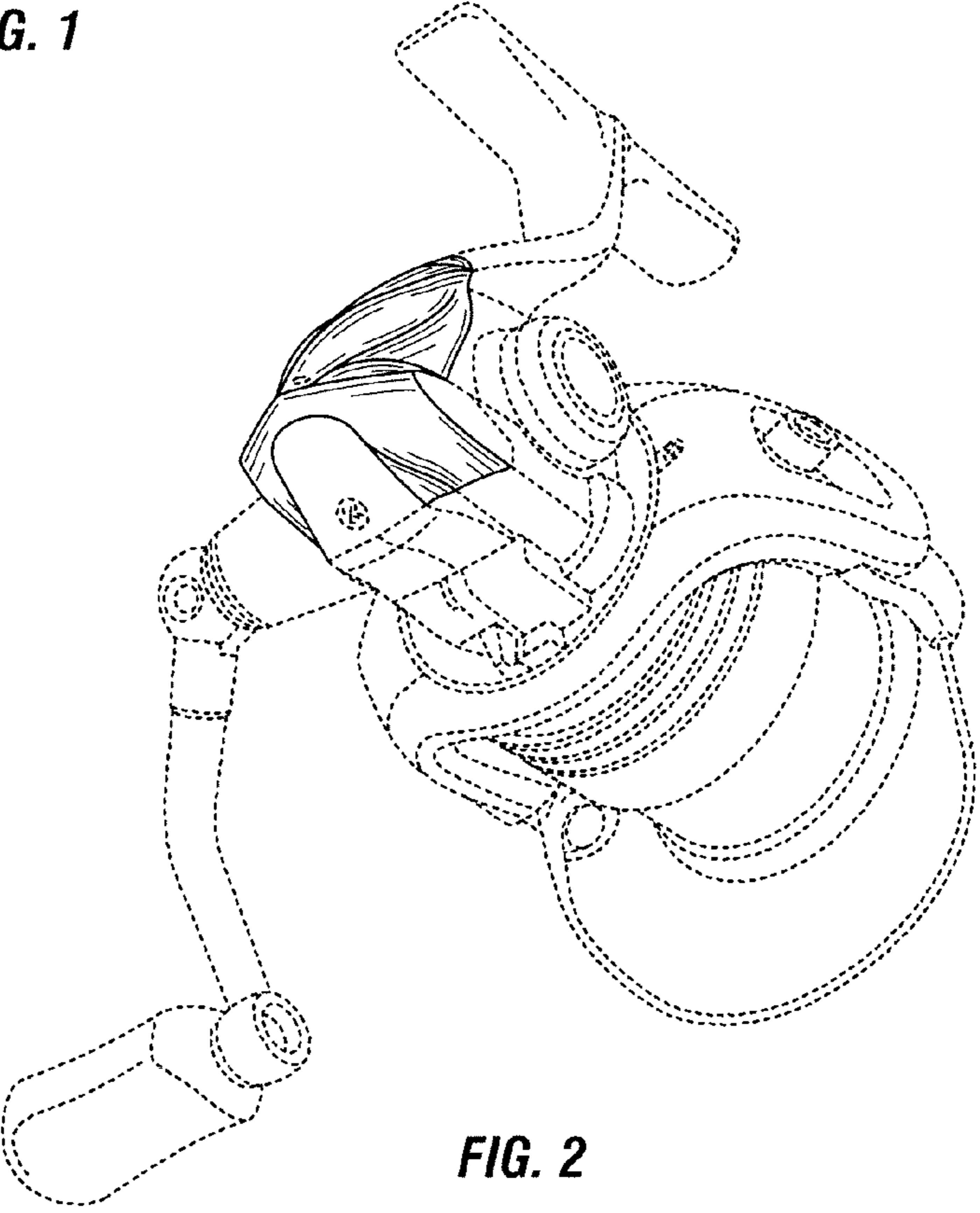


FIG. 2

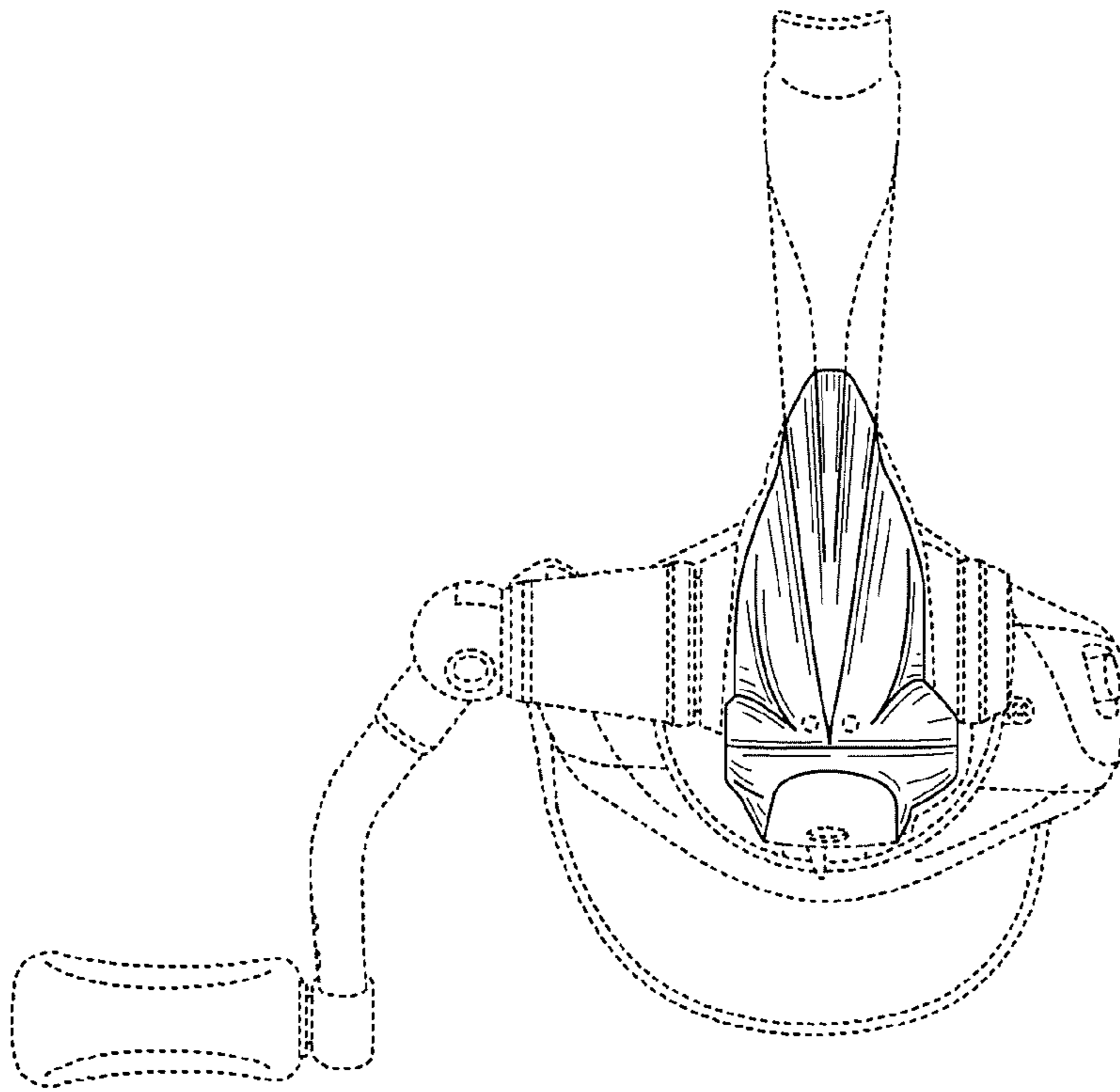


FIG. 3

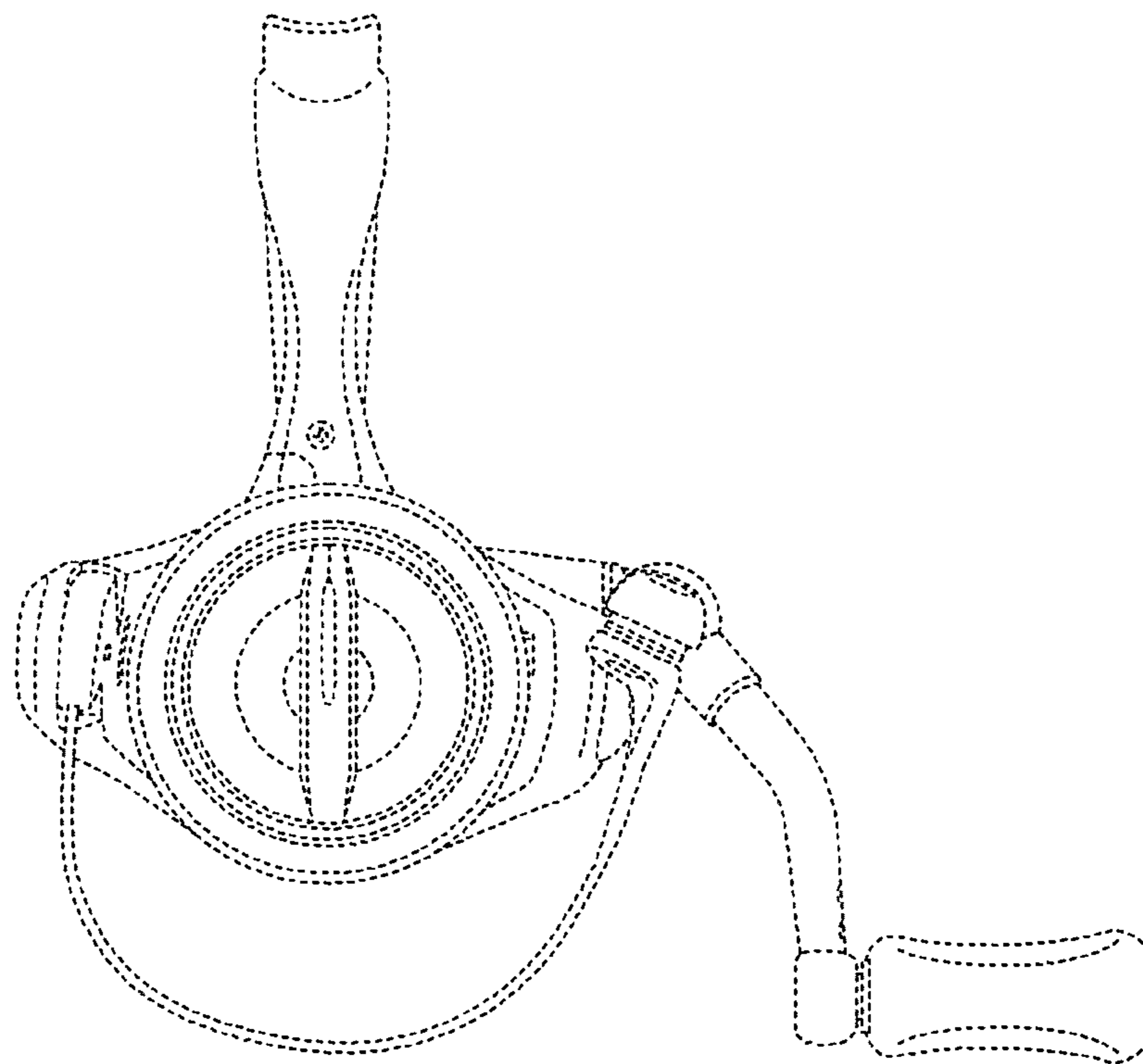


FIG. 4

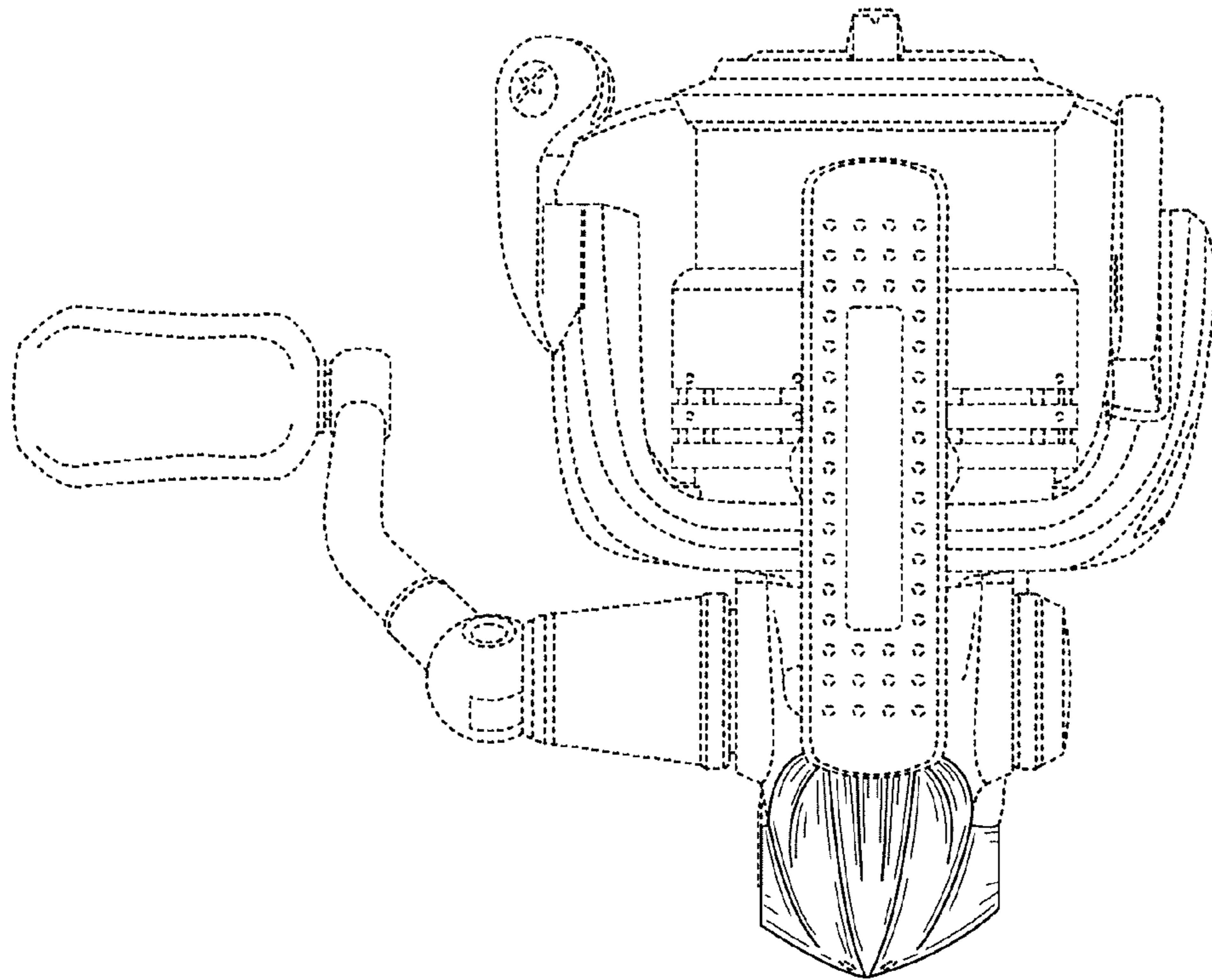


FIG. 5

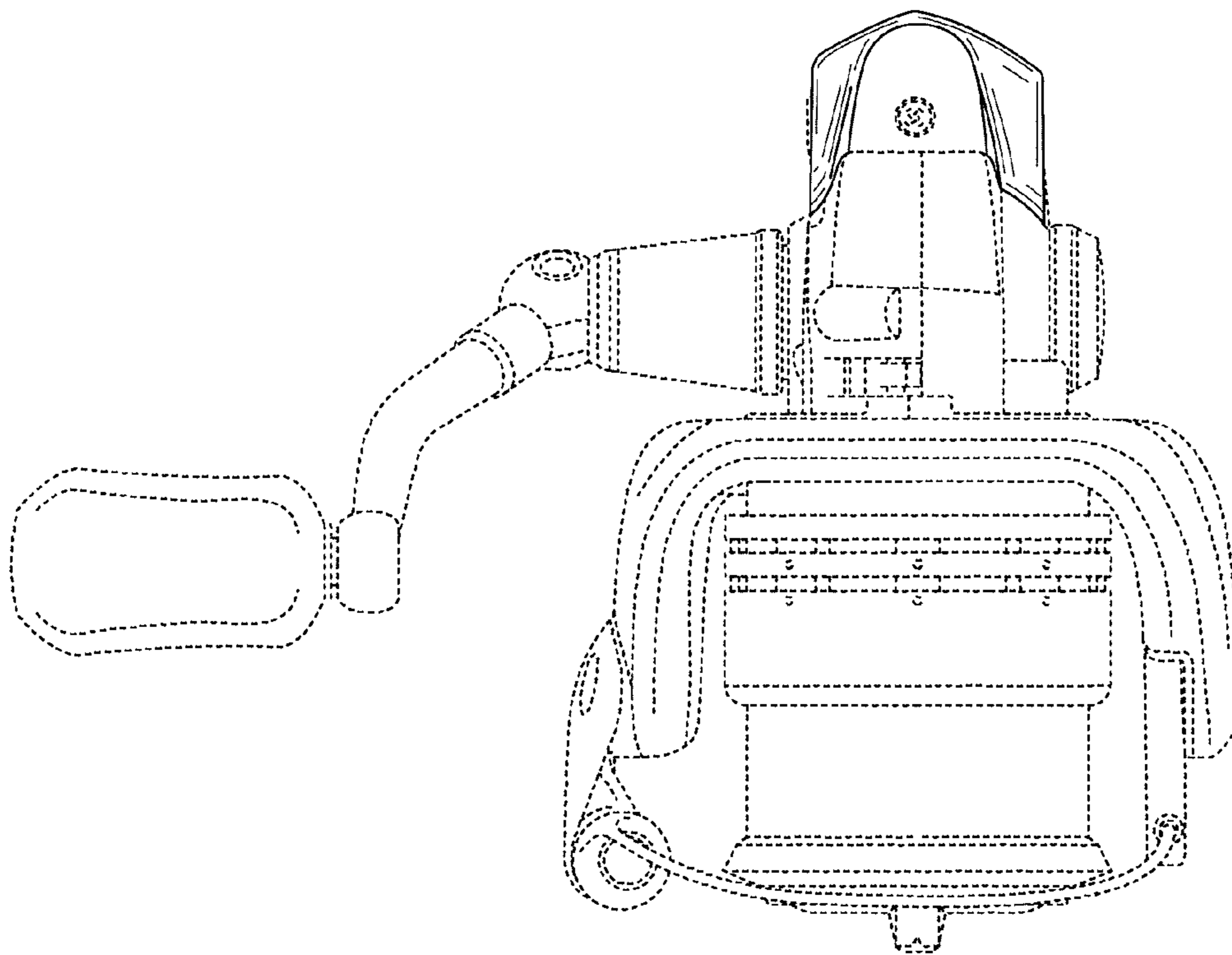


FIG. 6

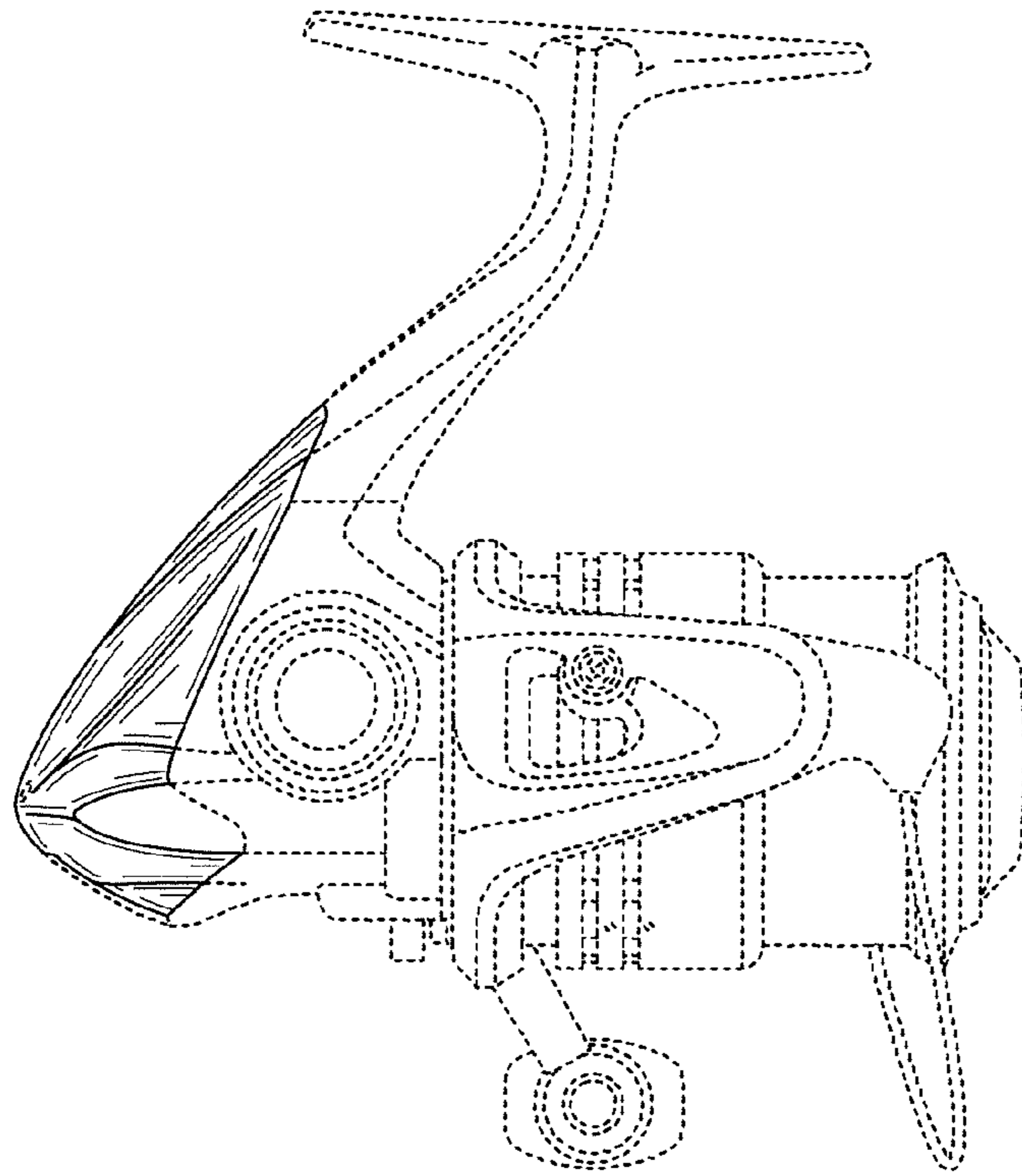


FIG. 7

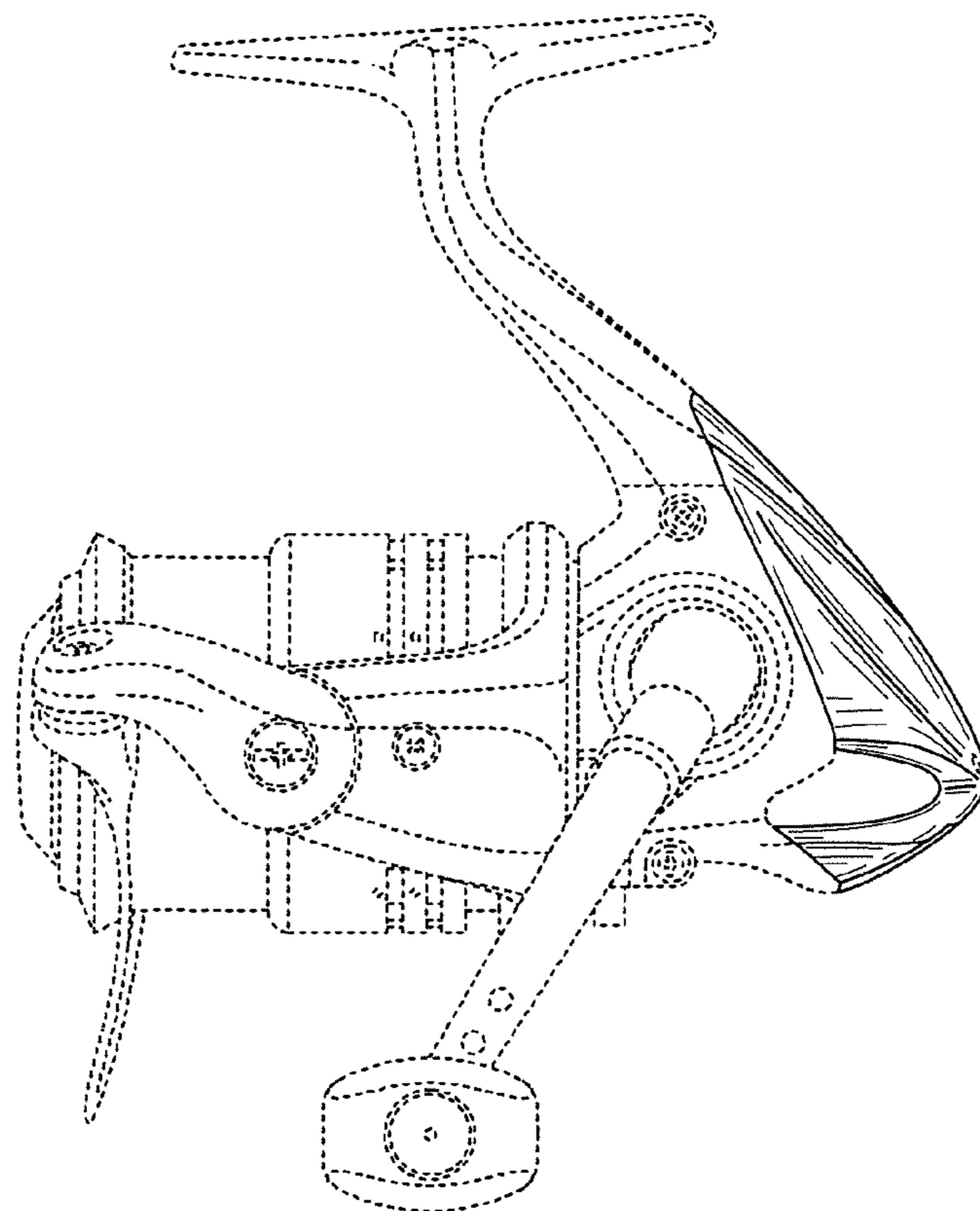


FIG. 8

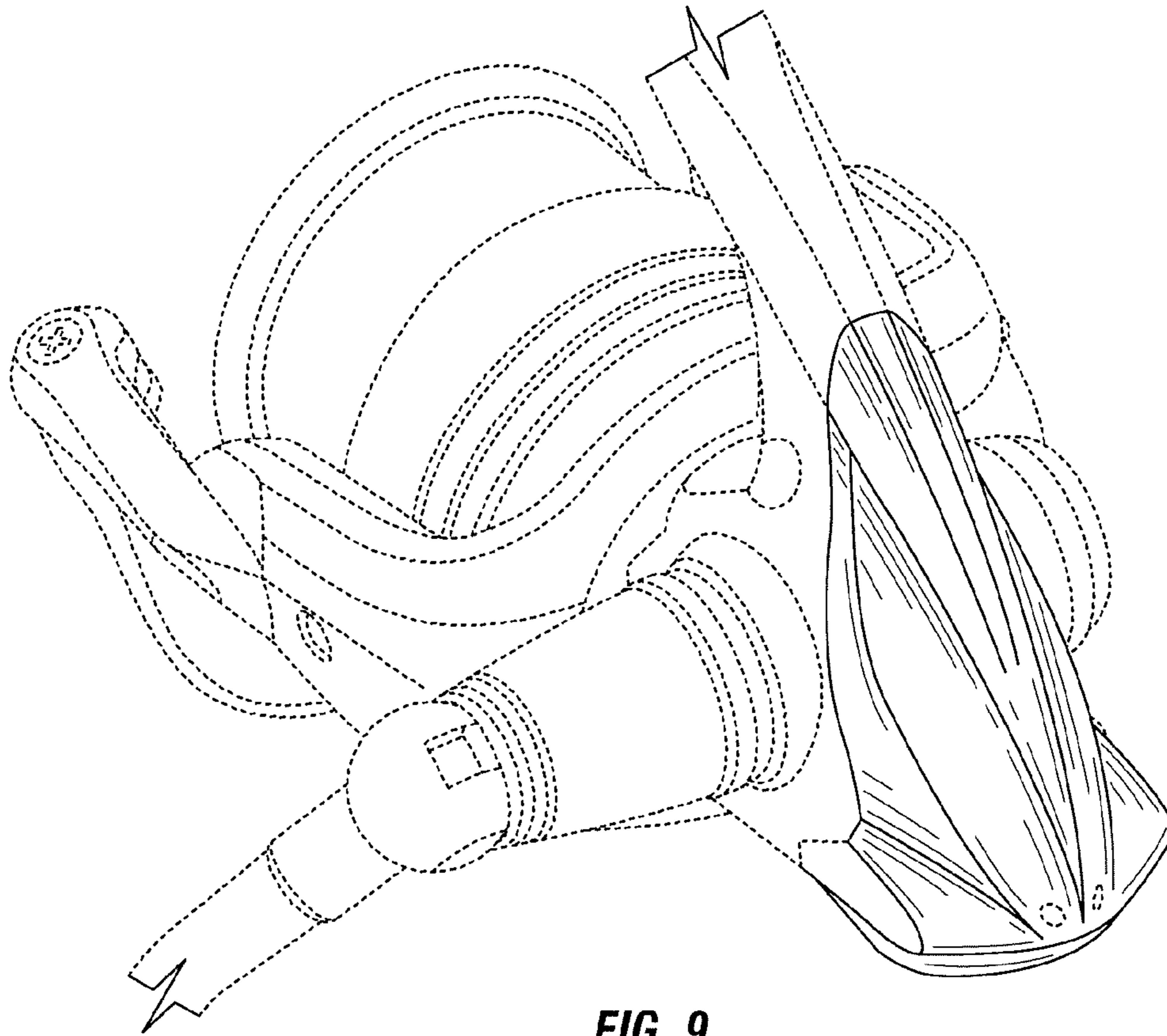


FIG. 9

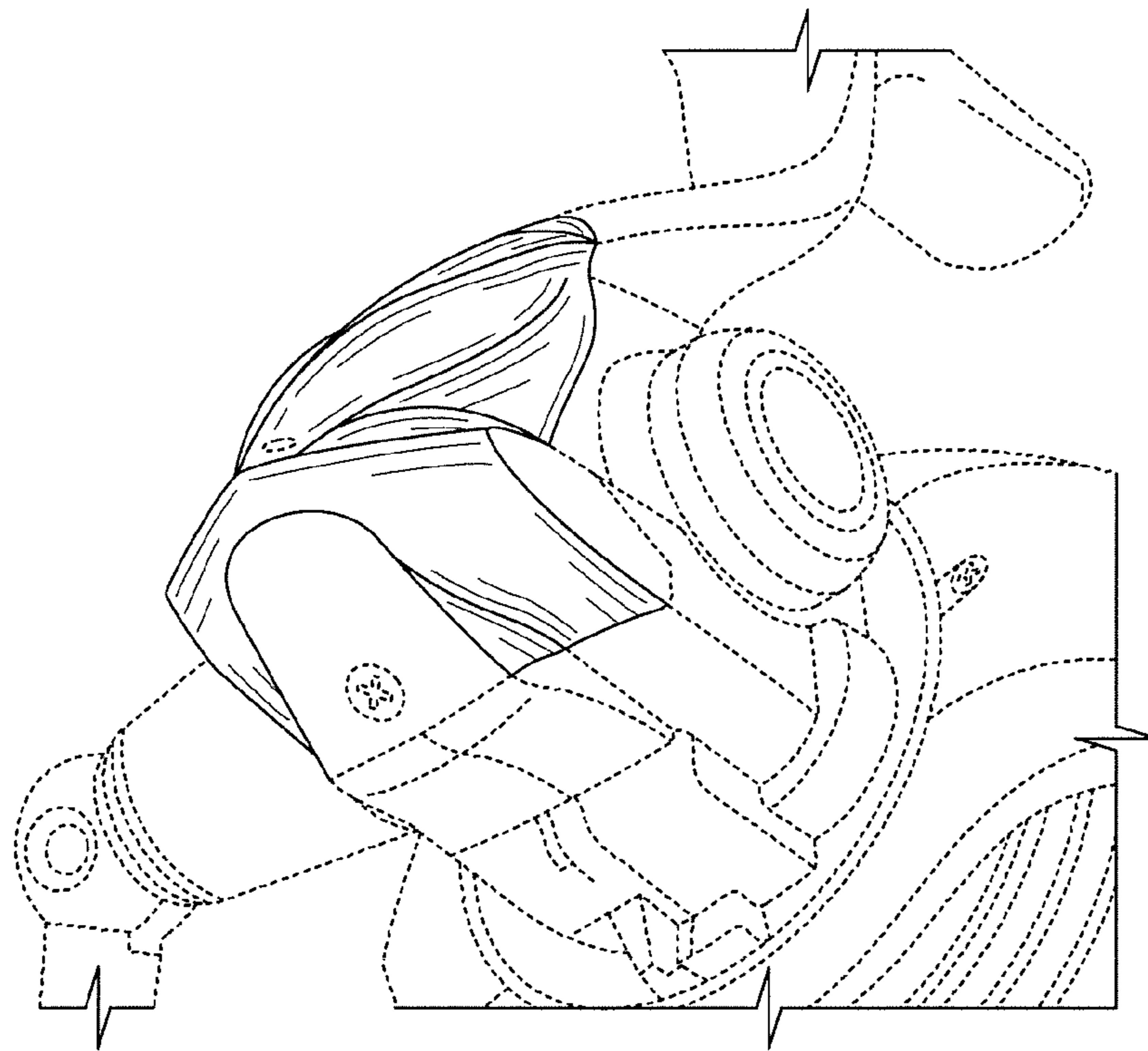


FIG. 10

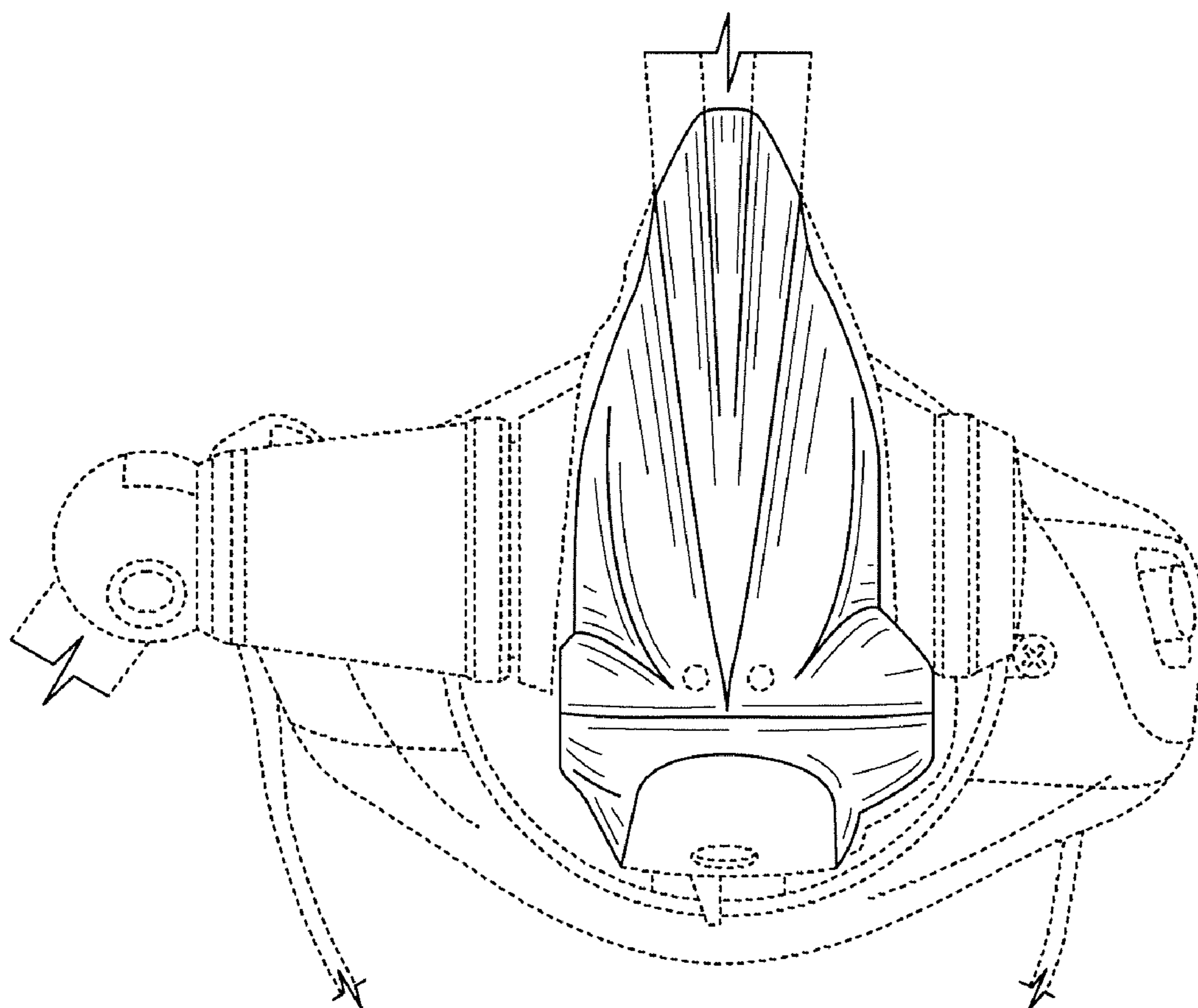


FIG. 11