



US00D627419S

(12) **United States Design Patent**
Nago

(10) **Patent No.:** **US D627,419 S**

(45) **Date of Patent:** **** Nov. 16, 2010**

(54) **FISHING REEL PORTION**

(75) Inventor: **Akira Nago**, Osaka (JP)

(73) Assignee: **Shimano Inc.**, Osaka (JP)

(**) Term: **14 Years**

(21) Appl. No.: **29/359,013**

(22) Filed: **Apr. 5, 2010**

(30) **Foreign Application Priority Data**

Nov. 17, 2009 (JP) 2009-26892

(51) **LOC (9) Cl.** **22-05**

(52) **U.S. Cl.** **D22/141**

(58) **Field of Classification Search** D22/137-141;
242/310-316, 223-224, 230, 283, 322, 242;
43/19-22

See application file for complete search history.

(56) **References Cited**

U.S. PATENT DOCUMENTS

D529,124 S *	9/2006	Nago	D22/141
D561,870 S *	2/2008	Myojo et al.	D22/141
7,413,138 B2 *	8/2008	Kitajima et al.	242/311
D591,384 S *	4/2009	Bo	D22/141
D613,364 S *	4/2010	Koelewyn	D22/141

* cited by examiner

Primary Examiner—Catherine R Oliver

(74) *Attorney, Agent, or Firm*—Global IP Counselors, LLP

(57) **CLAIM**

The ornamental design for a fishing reel portion, as shown and described.

DESCRIPTION

FIG. 1 is a first perspective view of a fishing reel with a fishing reel portion in accordance with my new design;

FIG. 2 is a second perspective view of the fishing reel with the fishing reel portion illustrated in FIG. 1;

FIG. 3 is a first side elevational view of the fishing reel with the fishing reel portion illustrated in FIG. 1;

FIG. 4 is a second side elevational view of the fishing reel illustrated in FIG. 1 with the fishing reel portion completely hidden from sight;

FIG. 5 is a top plan view of the fishing reel illustrated in FIG. 1 with the fishing reel portion completely hidden from sight;

FIG. 6 is a bottom plan view of the fishing reel with the fishing reel portion illustrated in FIG. 1;

FIG. 7 is a first end elevational view of the fishing reel with the fishing reel portion with the fishing reel portion illustrated in FIG. 1;

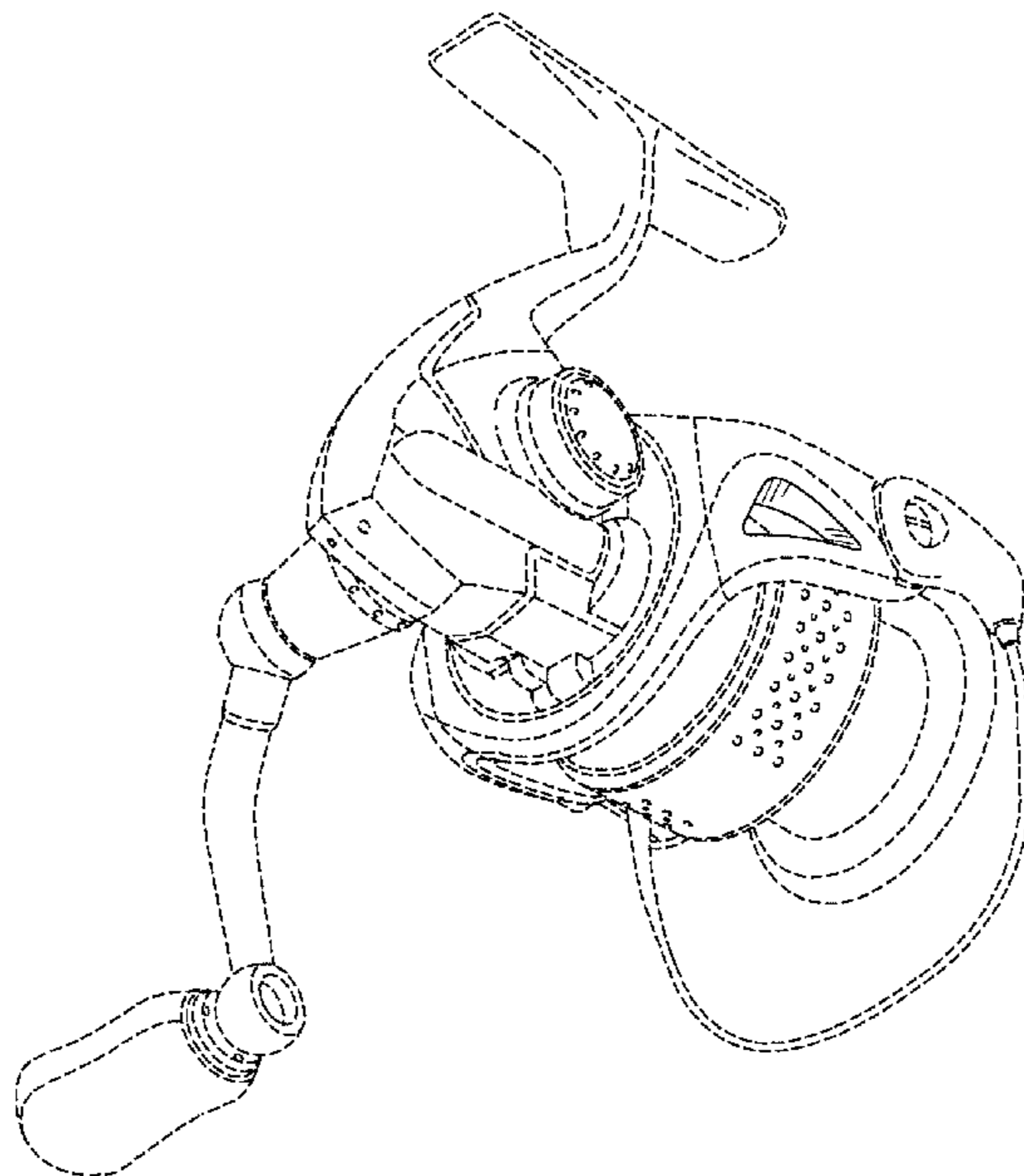
FIG. 8 is a second end elevational view of the fishing reel illustrated in FIG. 1 with the fishing reel portion completely hidden from sight;

FIG. 9 is a first enlarged, partial perspective view of the fishing reel with the fishing reel portion illustrated in FIG. 1; and,

FIG. 10 is a second enlarged, partial perspective view of the fishing reel with the fishing reel portion illustrated in FIG. 1.

The broken line showing of the fishing reel is for purpose of illustrating environmental structure and forms no part of the claimed design.

1 Claim, 5 Drawing Sheets



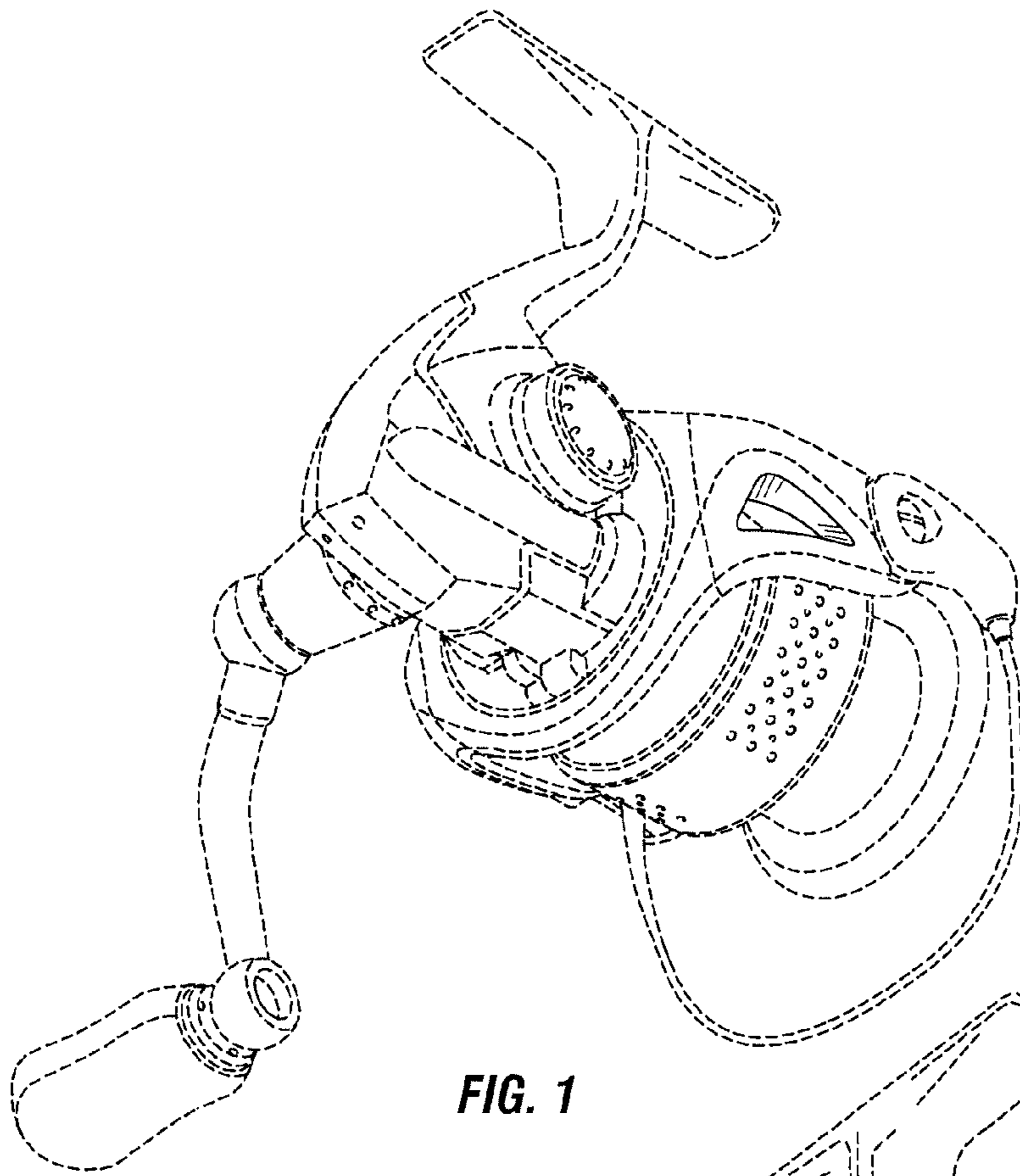


FIG. 1

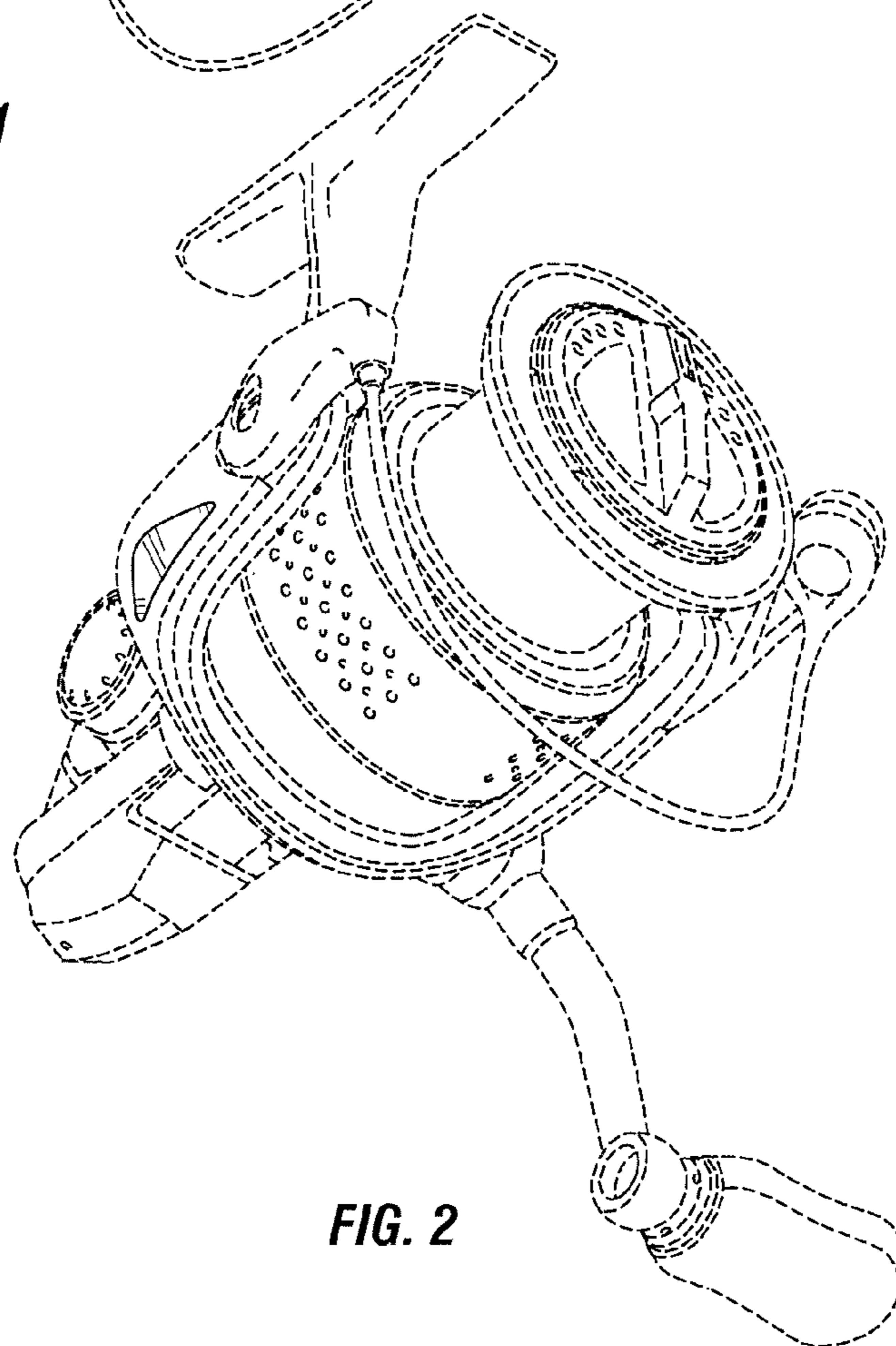


FIG. 2

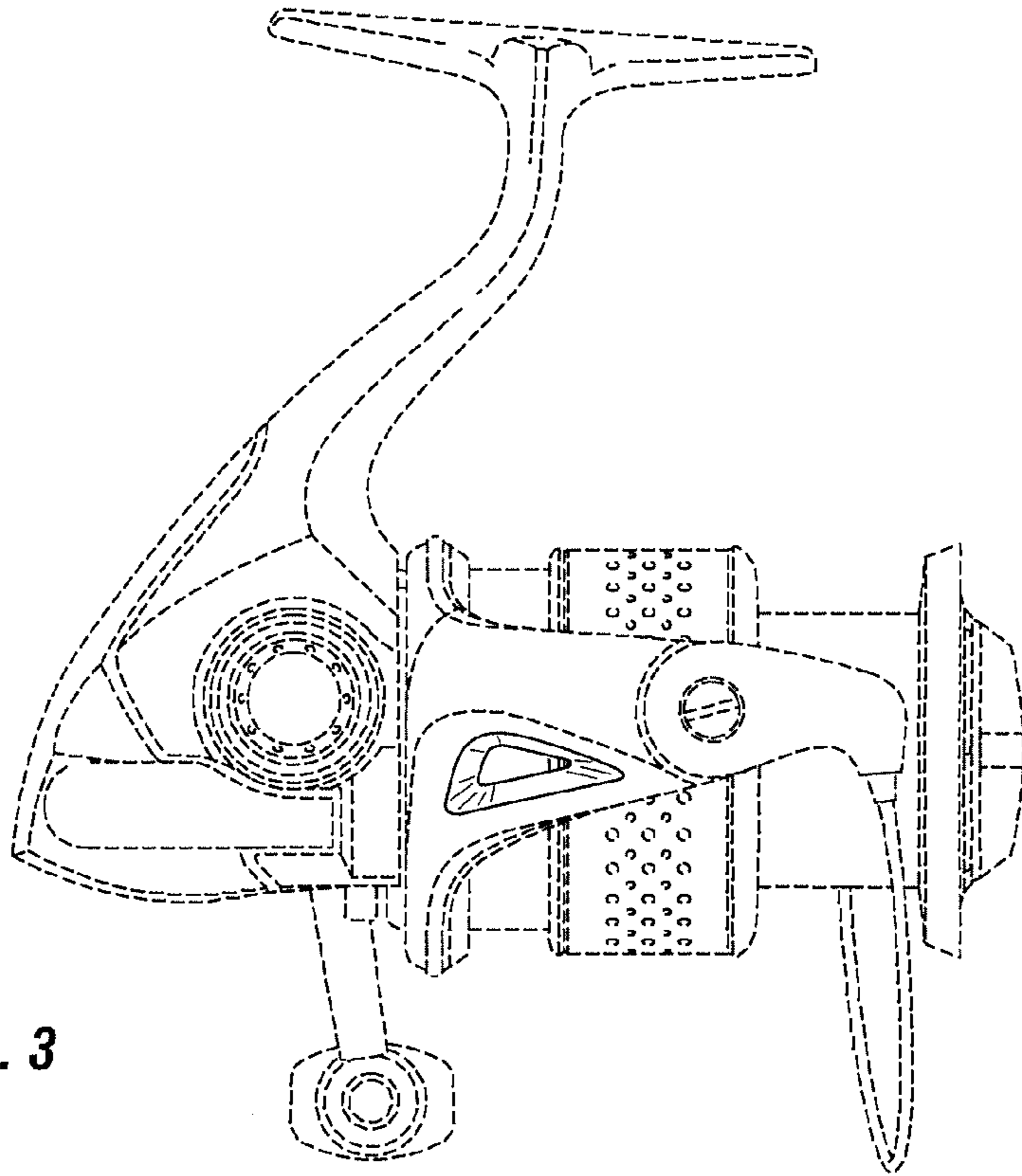


FIG. 3

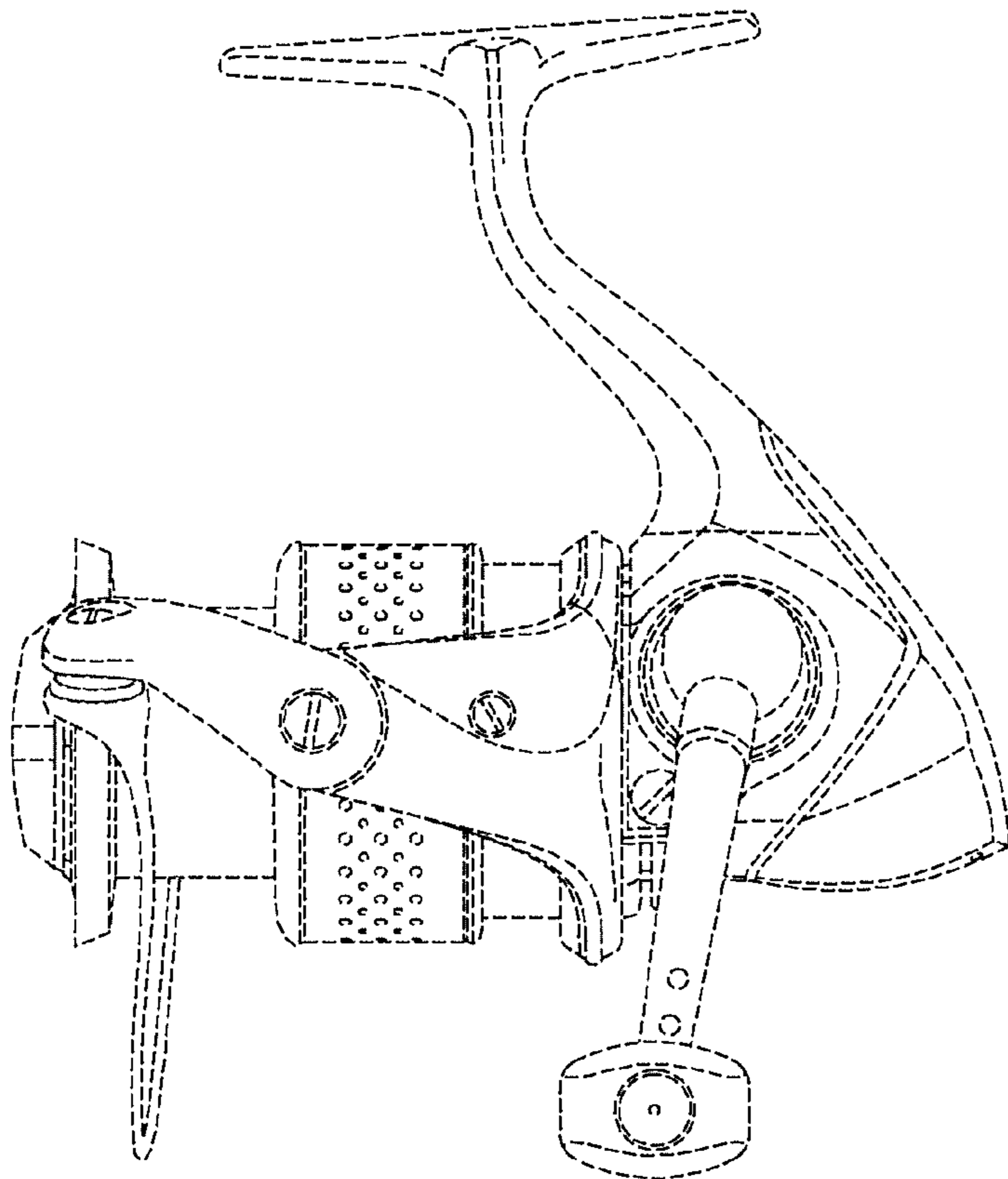


FIG. 4

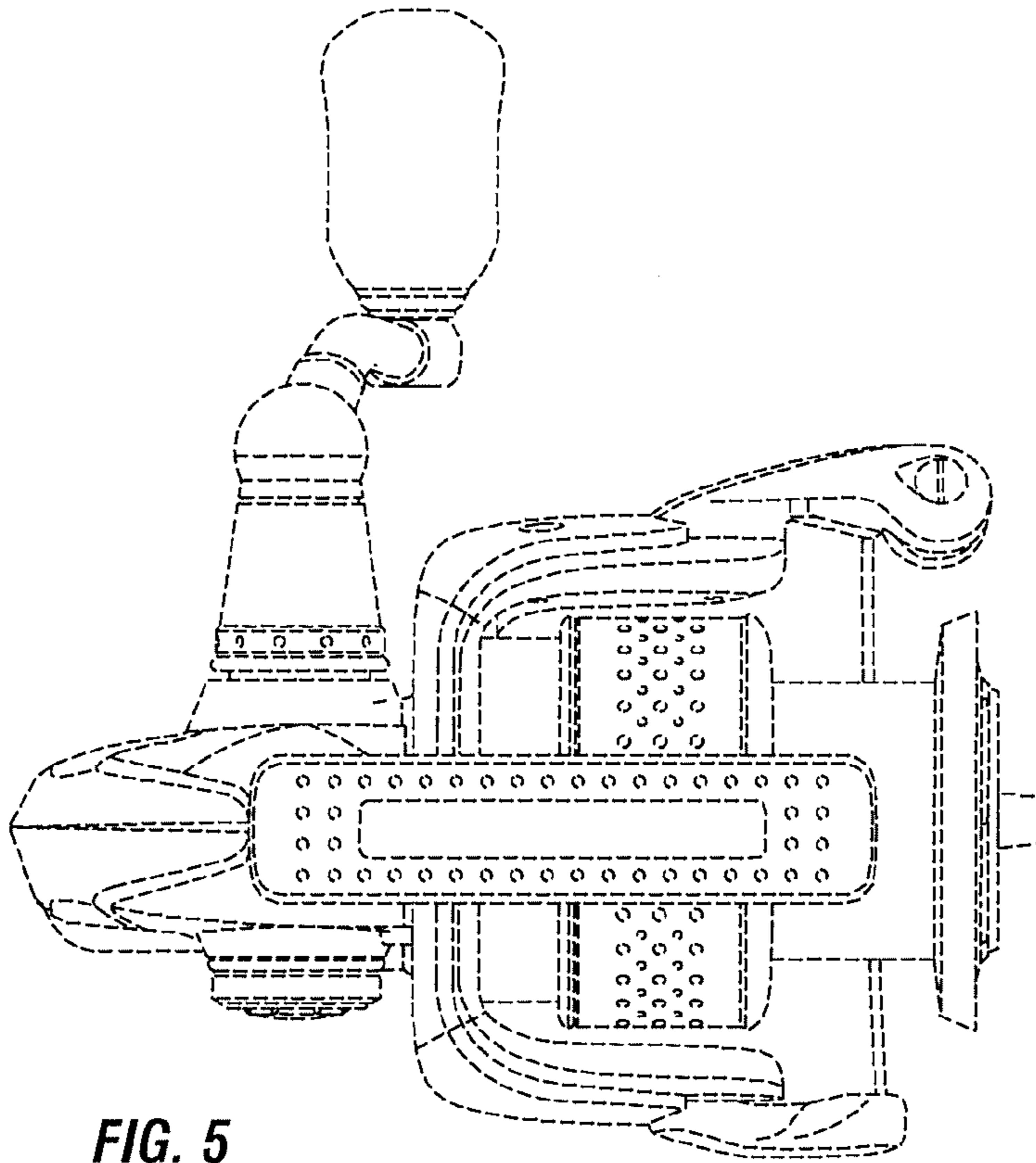


FIG. 5

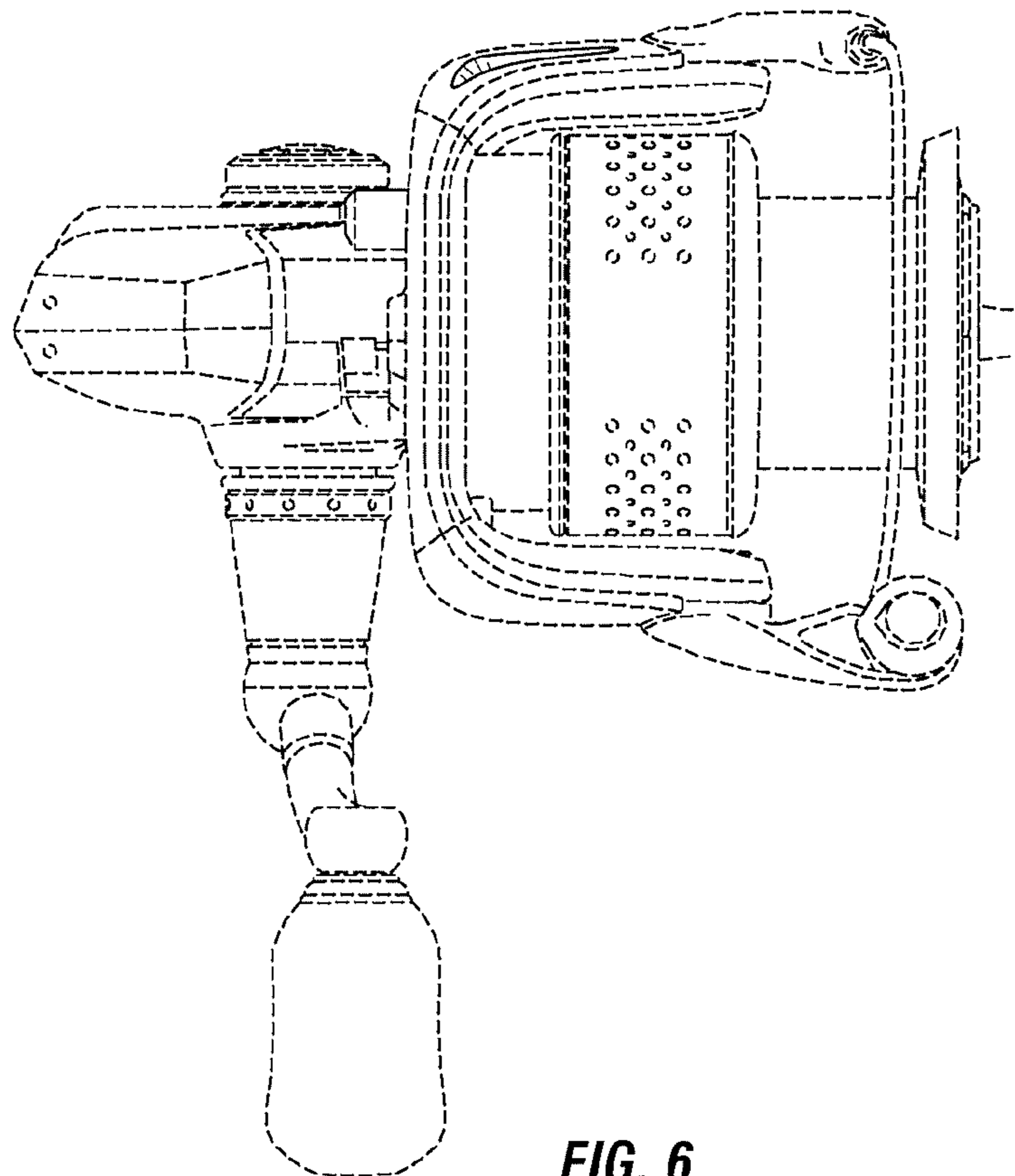


FIG. 6

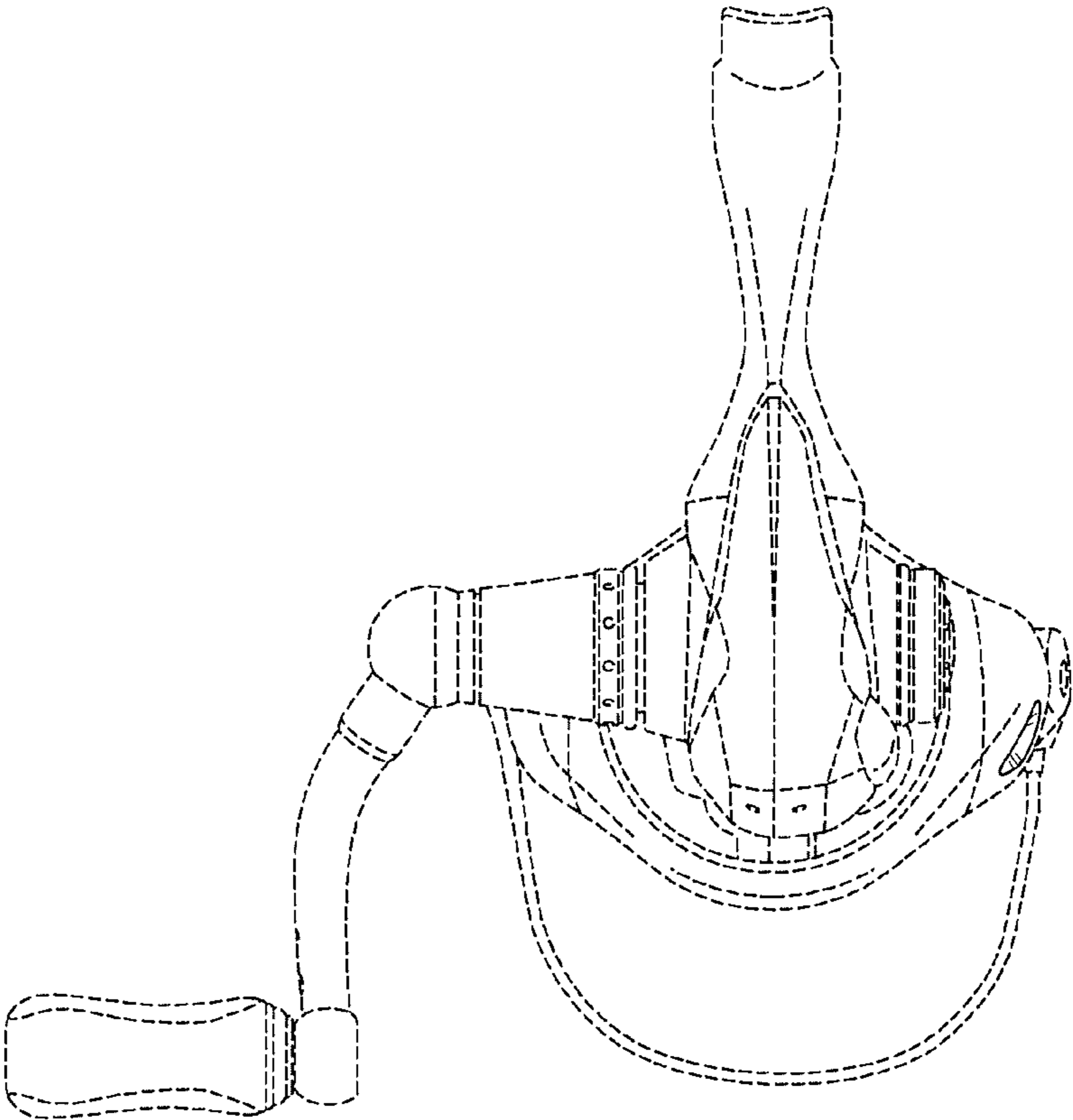


FIG. 7

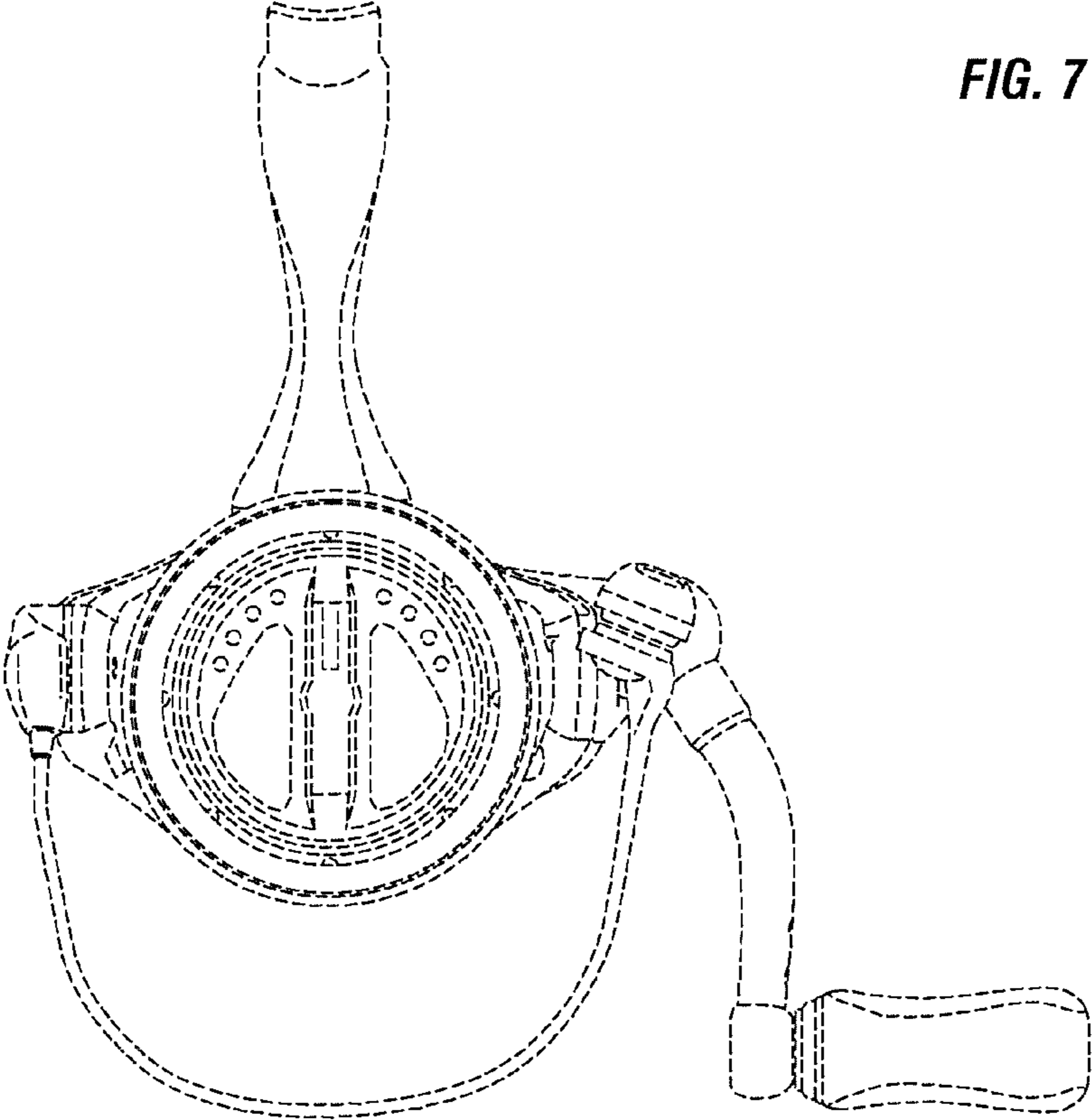


FIG. 8

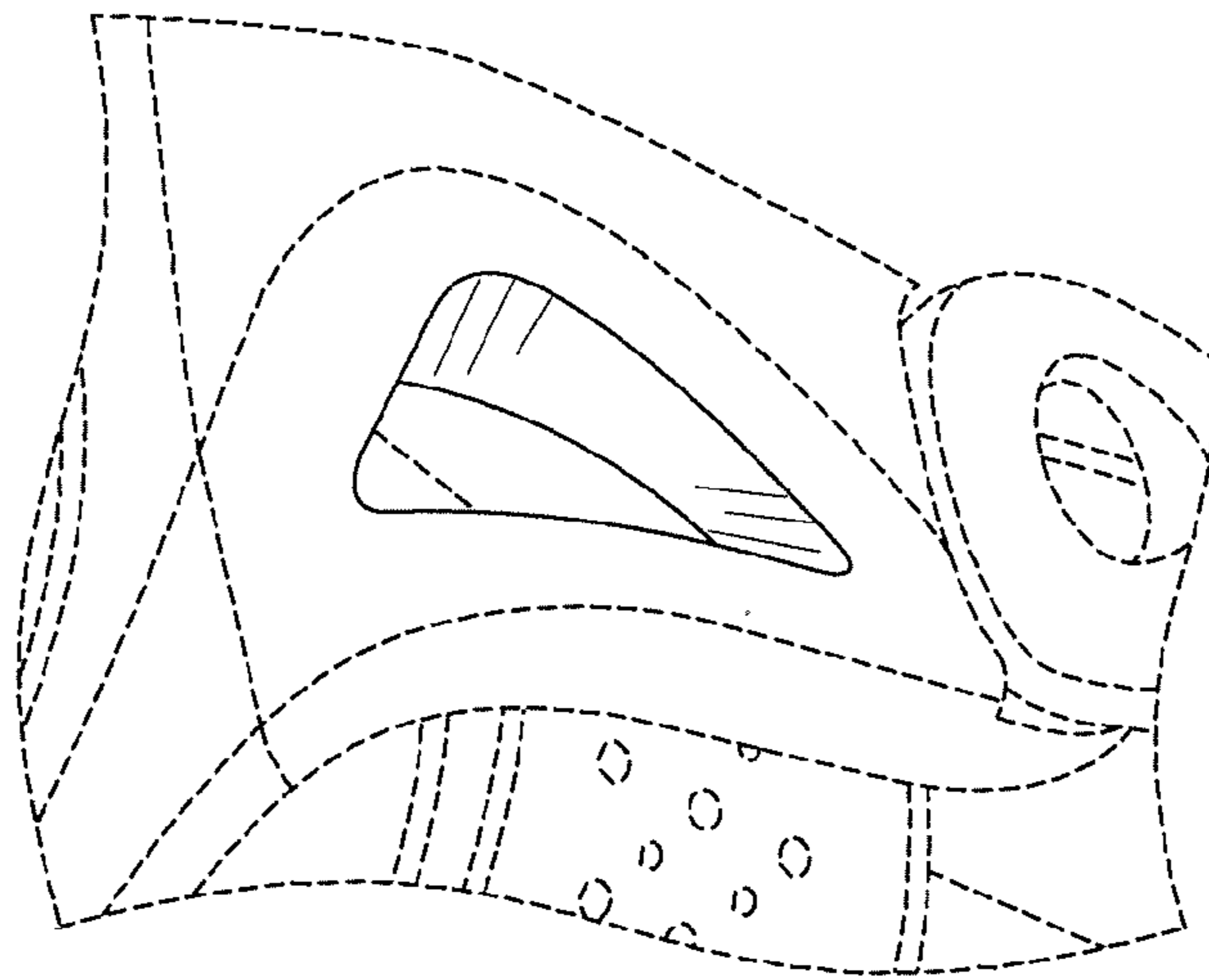


FIG. 9

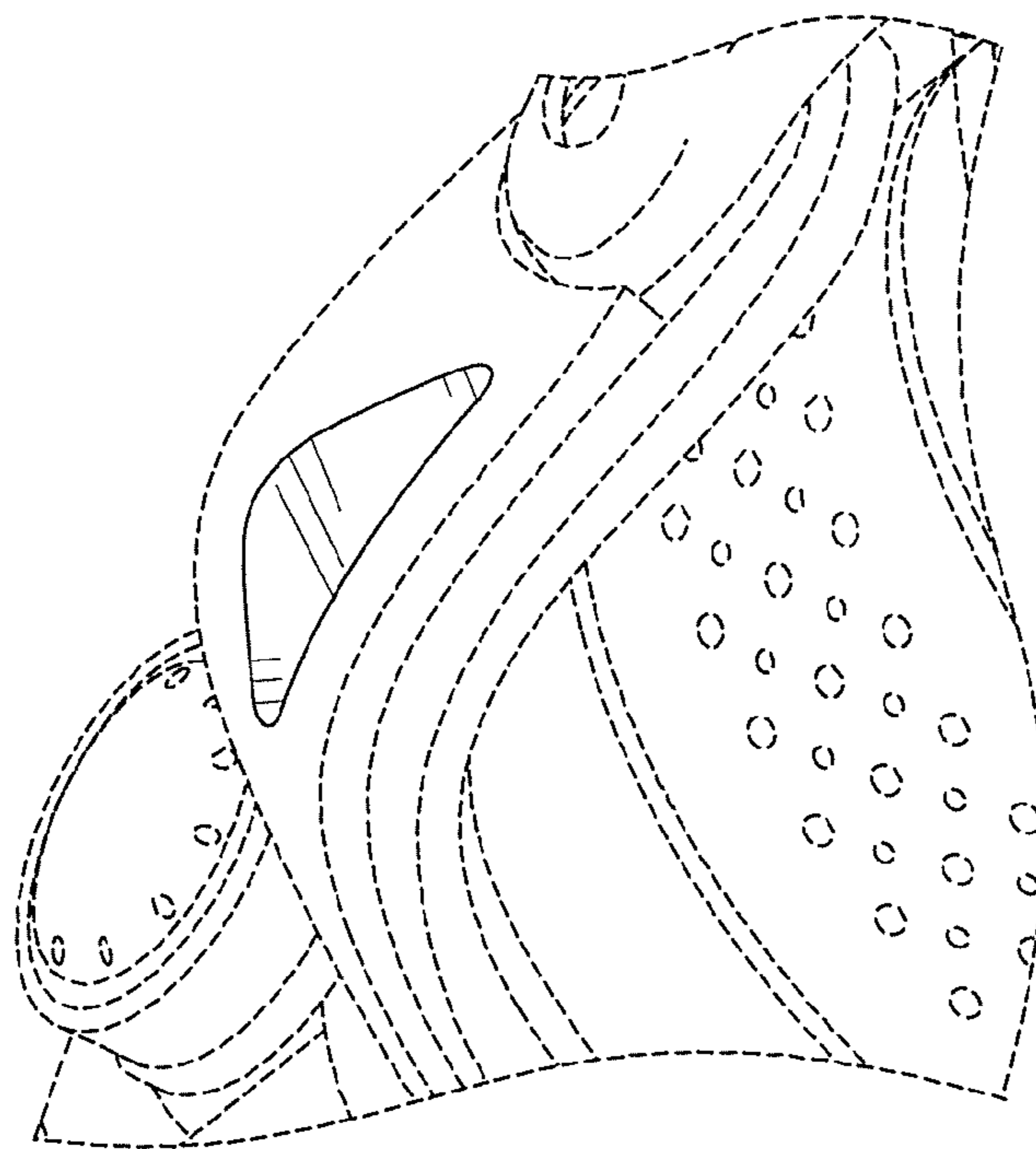


FIG. 10