



US00D627416S

(12) **United States Design Patent**
Zagrodnik

(10) **Patent No.:** **US D627,416 S**

(45) **Date of Patent:** **** Nov. 16, 2010**

(54) **FISHING HOOK AND LINE STORAGE HOLDER**

(74) *Attorney, Agent, or Firm*—Stuart M. Goldstein

(76) Inventor: **Andrew Zagrodnik**, 45 Meadowrue Ct.,
Mt. Laurel, NJ (US) 08054

(57) **CLAIM**

The ornamental design for the fishing hook and line storage holder, as shown and described.

(**) Term: **14 Years**

DESCRIPTION

(21) Appl. No.: **29/349,361**

FIG. 1 is a perspective view of the fishing hook and line storage Holder of the present invention.

(22) Filed: **Mar. 26, 2010**

FIG. 2 is a top view of the fishing hook and line storage holder of the present invention.

(51) **LOC (9) Cl.** **22-05**

(52) **U.S. Cl.** **D22/134**

(58) **Field of Classification Search** D22/134,
D22/149, 199, 144; 43/57.1, 57.2; D3/260
See application file for complete search history.

FIG. 3 is a bottom view of the fishing hook and line storage holder of the present invention.

FIG. 4 is an elevation view of the fishing hook and line storage holder of the present invention.

(56) **References Cited**

U.S. PATENT DOCUMENTS

4,281,470	A *	8/1981	Anderson	43/57.1
D273,410	S *	4/1984	Tomosy	D22/134
5,544,442	A *	8/1996	Perkins	43/57.2
D393,151	S *	4/1998	Liaklev	D3/260
D393,942	S *	5/1998	Liaklev	D3/260
6,168,017	B1 *	1/2001	Bohmer et al.	206/315.11

FIG. 5 is an opposite elevation view of the fishing hook and line storage holder of the present invention.

FIG. 6 is a front view of the fishing hook and line storage holder of the present invention; and,

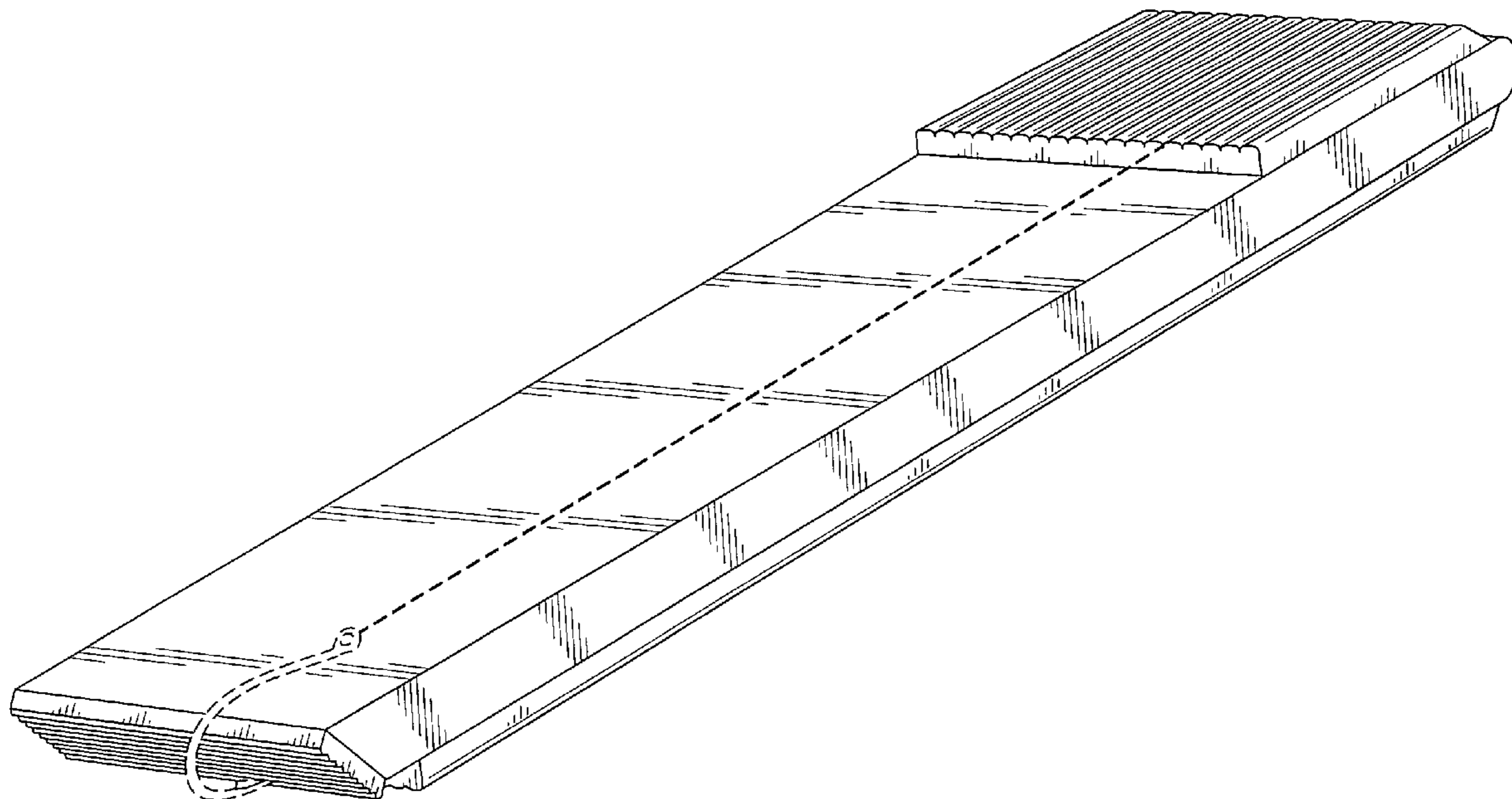
FIG. 7 is a rear view of the fishing hook and line storage holder of the present invention.

The broken lines showing a fishing hook are included for the purpose of illustrating use and environment and forms no part of the claimed design.

* cited by examiner

Primary Examiner—Catherine R Oliver

1 Claim, 4 Drawing Sheets



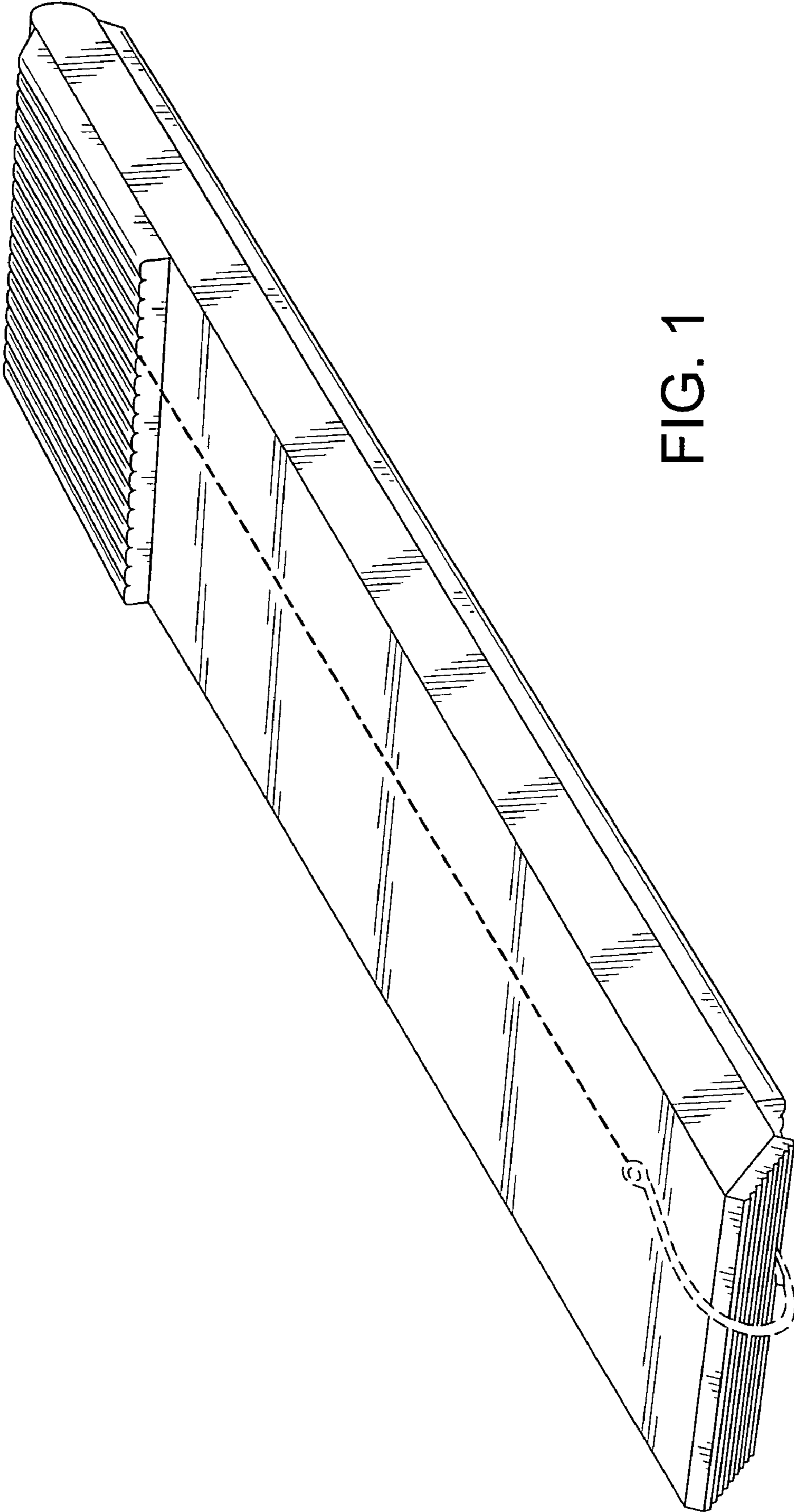


FIG. 1

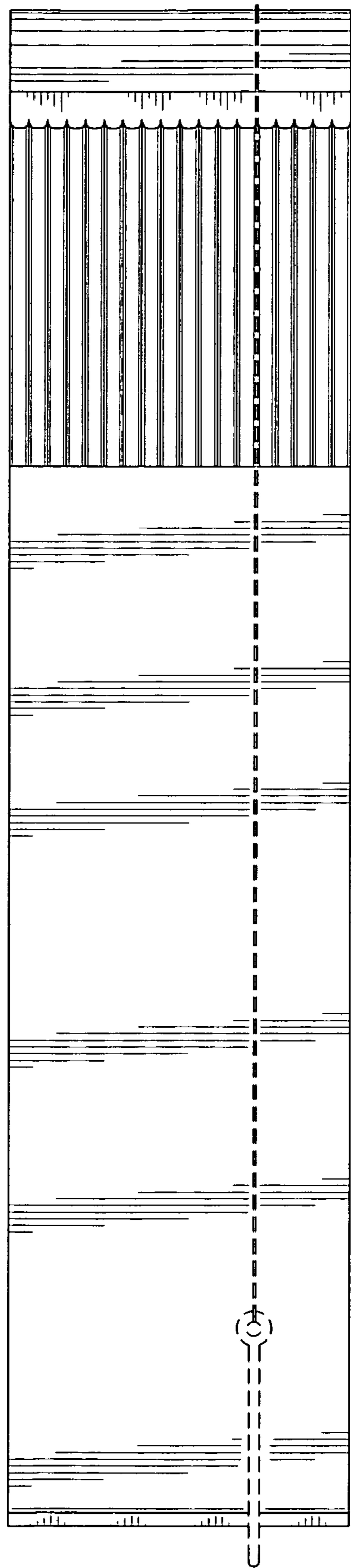


FIG. 2

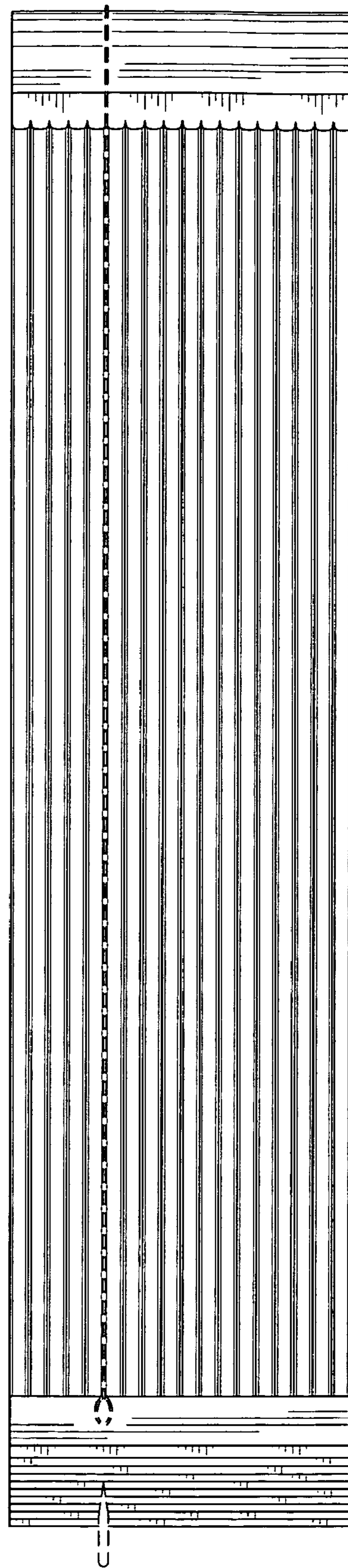


FIG. 3

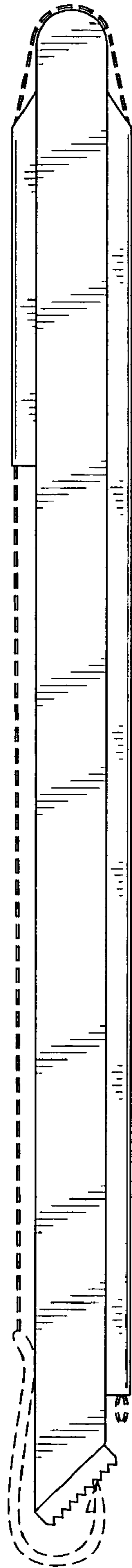


FIG. 4

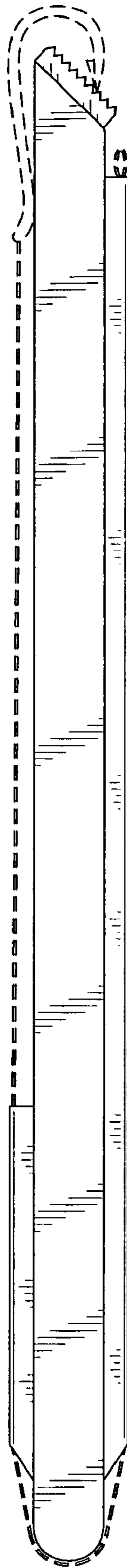


FIG. 5

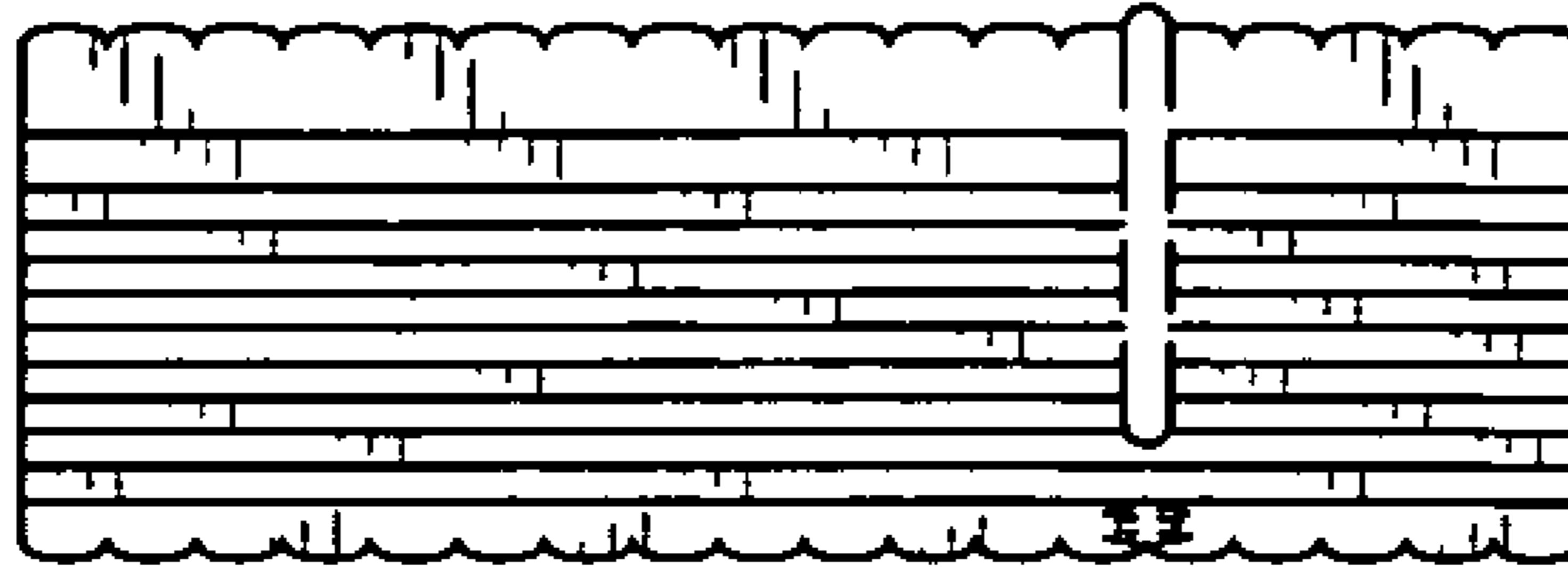


FIG. 6



FIG. 7