



US00D627415S

(12) **United States Design Patent**  
**Finn**

(10) **Patent No.:** **US D627,415 S**  
(45) **Date of Patent:** **\*\* Nov. 16, 2010**

(54) **TRIGGER GUARD**

(75) Inventor: **James Finn**, Alpha, IL (US)

(73) Assignee: **Rock River Arms, Inc.**, Colona, IL (US)

(\*\*) Term: **14 Years**

(21) Appl. No.: **29/359,864**

(22) Filed: **Apr. 16, 2010**

**Related U.S. Application Data**

(63) Continuation of application No. 10/997,419, filed on Nov. 23, 2004.

(51) **LOC (9) Cl.** ..... **22-01**

(52) **U.S. Cl.** ..... **D22/108**

(58) **Field of Classification Search** ..... D22/100,  
D22/101, 103, 104, 108, 199; D21/572,  
D21/573; 42/51, 71.01, 75.01, 75.02, 90,  
42/94, 134, 136, 139, 125, 72, 111; 362/110;  
33/241, 277; 313/105 R; 89/40.06, 41.19,  
89/37.04, 33.04, 191.01, 200-204; 124/67,  
124/66, 74

See application file for complete search history.

(56) **References Cited**

**U.S. PATENT DOCUMENTS**

2,590,858	A *	4/1952	Harvey	.....	42/69.01
3,713,242	A *	1/1973	Seifried	.....	42/70.06
3,857,322	A *	12/1974	Lichtman	.....	89/145
3,960,053	A *	6/1976	Conley	.....	89/149
4,276,708	A *	7/1981	Chase	.....	42/44
4,640,036	A *	2/1987	Gal	.....	42/72
5,012,604	A *	5/1991	Rogers	.....	42/69.03
5,235,771	A *	8/1993	Sokol et al.	.....	42/105
5,827,992	A *	10/1998	Harris et al.	.....	89/191.01
5,854,440	A *	12/1998	Canaday et al.	.....	89/28.05
5,926,989	A *	7/1999	Oliver, Sr.	.....	42/70.11
5,980,242	A *	11/1999	Man	.....	431/344
6,634,128	B1 *	10/2003	Vastag	.....	42/59
6,634,129	B1 *	10/2003	Freeman, Jr.	.....	42/69.02
6,708,685	B2 *	3/2004	Masse	.....	124/75

6,968,642	B1 *	11/2005	Leung	.....	42/86
7,000,345	B1 *	2/2006	Kay	.....	42/75.02
7,275,327	B2 *	10/2007	Deien	.....	33/265
D584,373	S *	1/2009	Young	.....	D22/103
D596,693	S *	7/2009	Nakayama	.....	D22/108
2009/0120420	A1 *	5/2009	Tippmann et al.	.....	124/73
2009/0241395	A1 *	10/2009	Barnett	.....	42/16
2009/0241931	A1 *	10/2009	Masse	.....	124/76

(Continued)

**OTHER PUBLICATIONS**

<http://www.xdtalk.com/forums/ar-talk/37100-magpul-miad-grip-ar-2.html>.\*

(Continued)

*Primary Examiner*—T. Chase Nelson  
*Assistant Examiner*—Michael A Pratt  
(74) *Attorney, Agent, or Firm*—Banner & Witcoff, Ltd.

(57) **CLAIM**

The ornamental design for a trigger guard, as shown and described.

**DESCRIPTION**

FIG. 1 is a side-bottom isometric view of a trigger guard showing my new design included on a firearm;

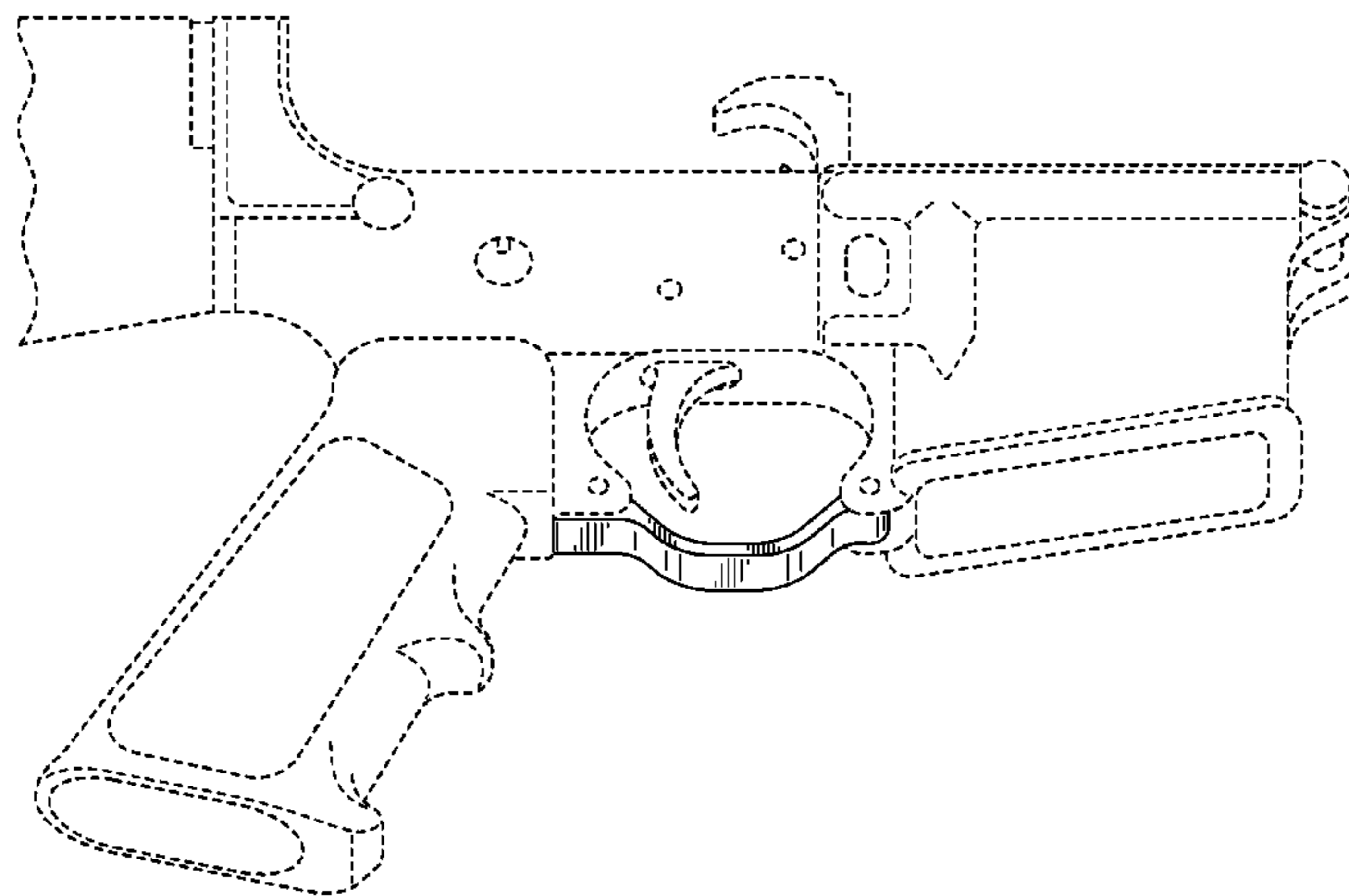
FIG. 2 is a side elevational view thereof;

FIG. 3 is an enlarged detailed view of FIG. 1 including the claimed region; and,

FIG. 4 is an enlarged detailed view of FIG. 2 including the claimed region.

The broken line showing of the remainder of the firearm is for environmental purposes only and forms no part of the claimed design.

**1 Claim, 3 Drawing Sheets**



# US D627,415 S

Page 2

---

## U.S. PATENT DOCUMENTS

2009/0277066 A1\* 11/2009 Burt et al. .... 42/6  
2010/0077914 A1\* 4/2010 Steimke et al. .... 89/156  
2010/0107465 A1\* 5/2010 Pintar et al. .... 42/70.07  
2010/0126626 A1\* 5/2010 Falckenberg et al. .... 141/392

## OTHER PUBLICATIONS

<http://www.gunandgame.com/forums/ar15-m16/57742-winter-tactical-trigger-guard.html>.\*

\* cited by examiner

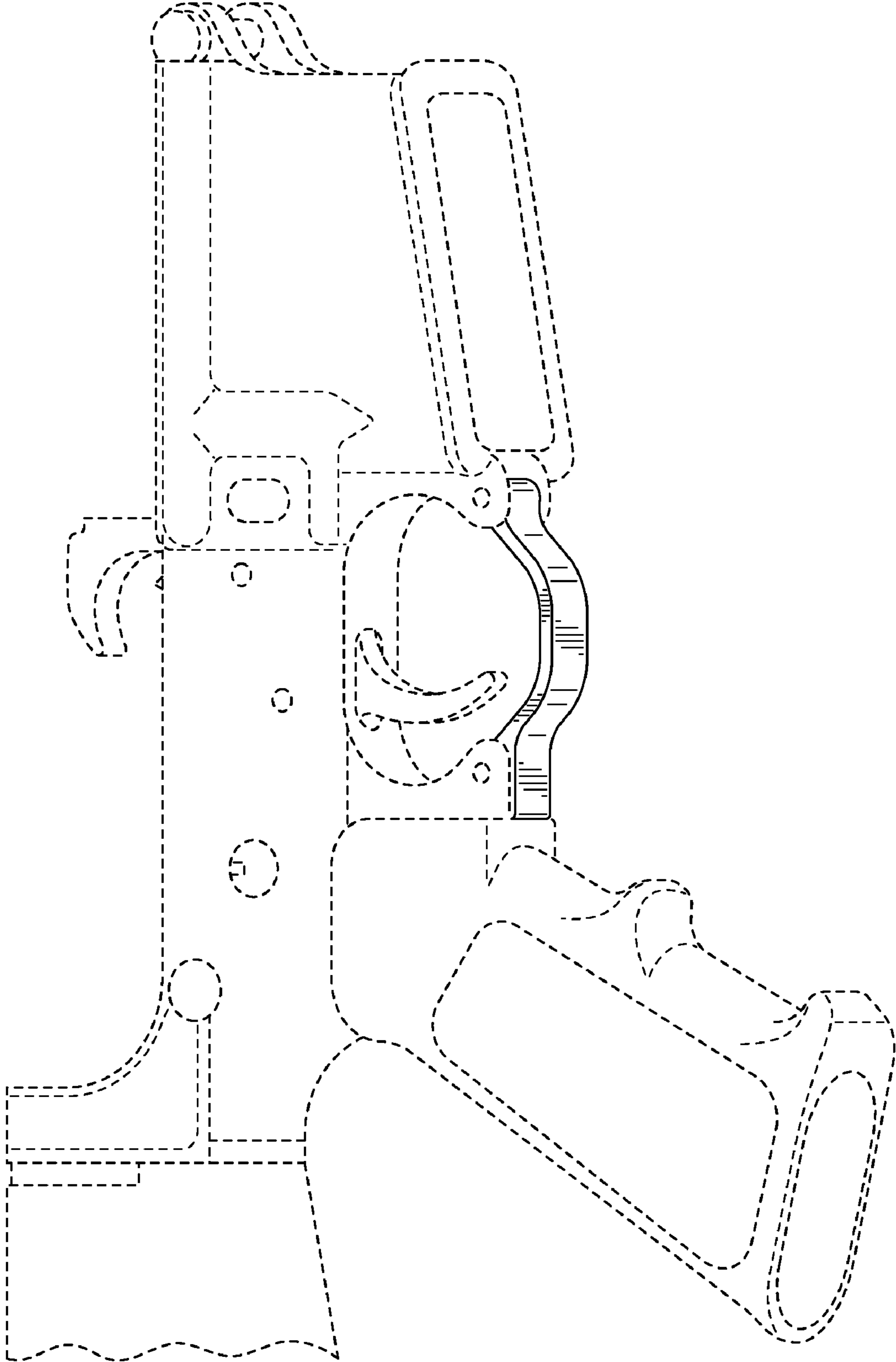


FIG. 1

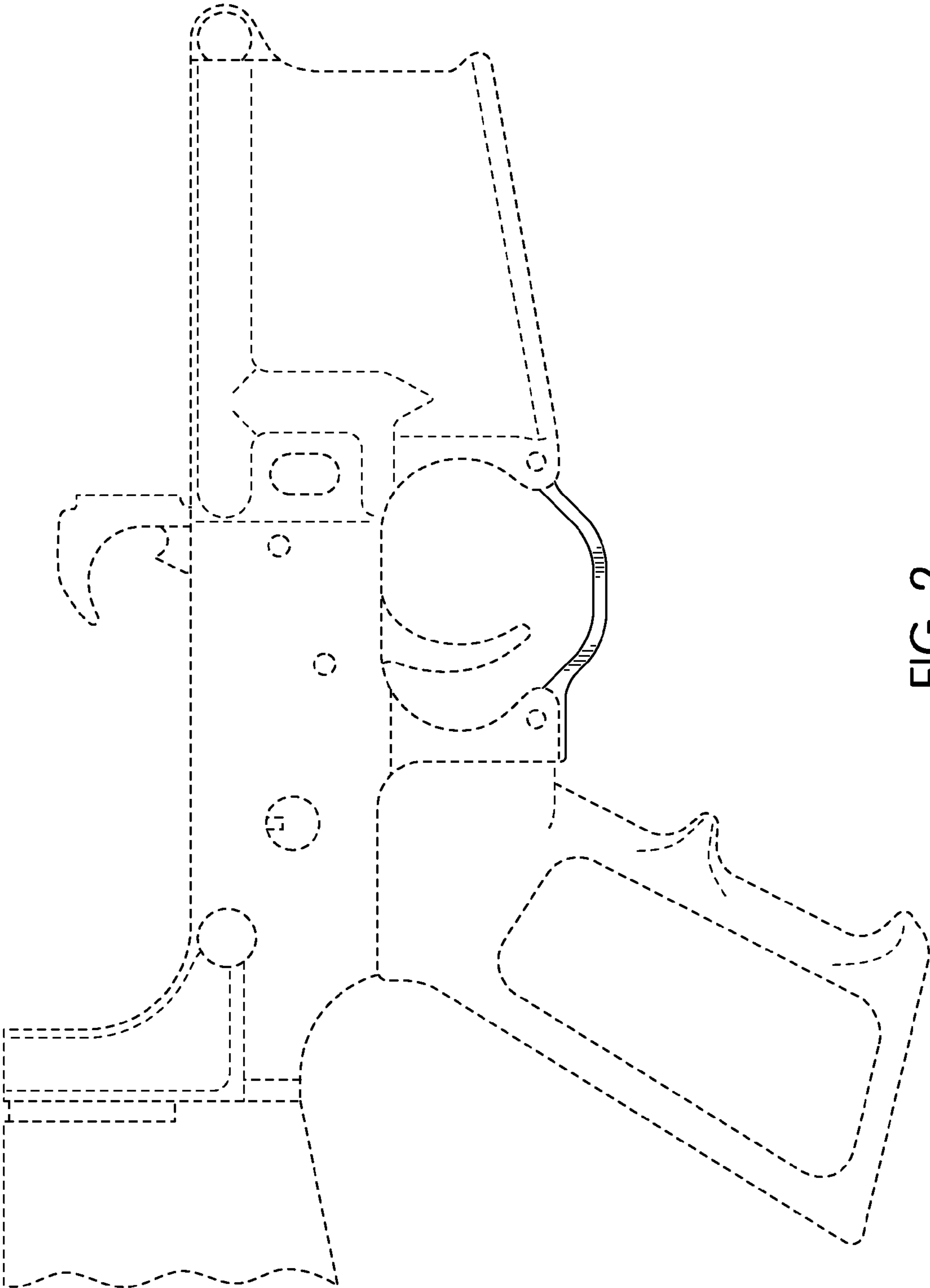


FIG. 2

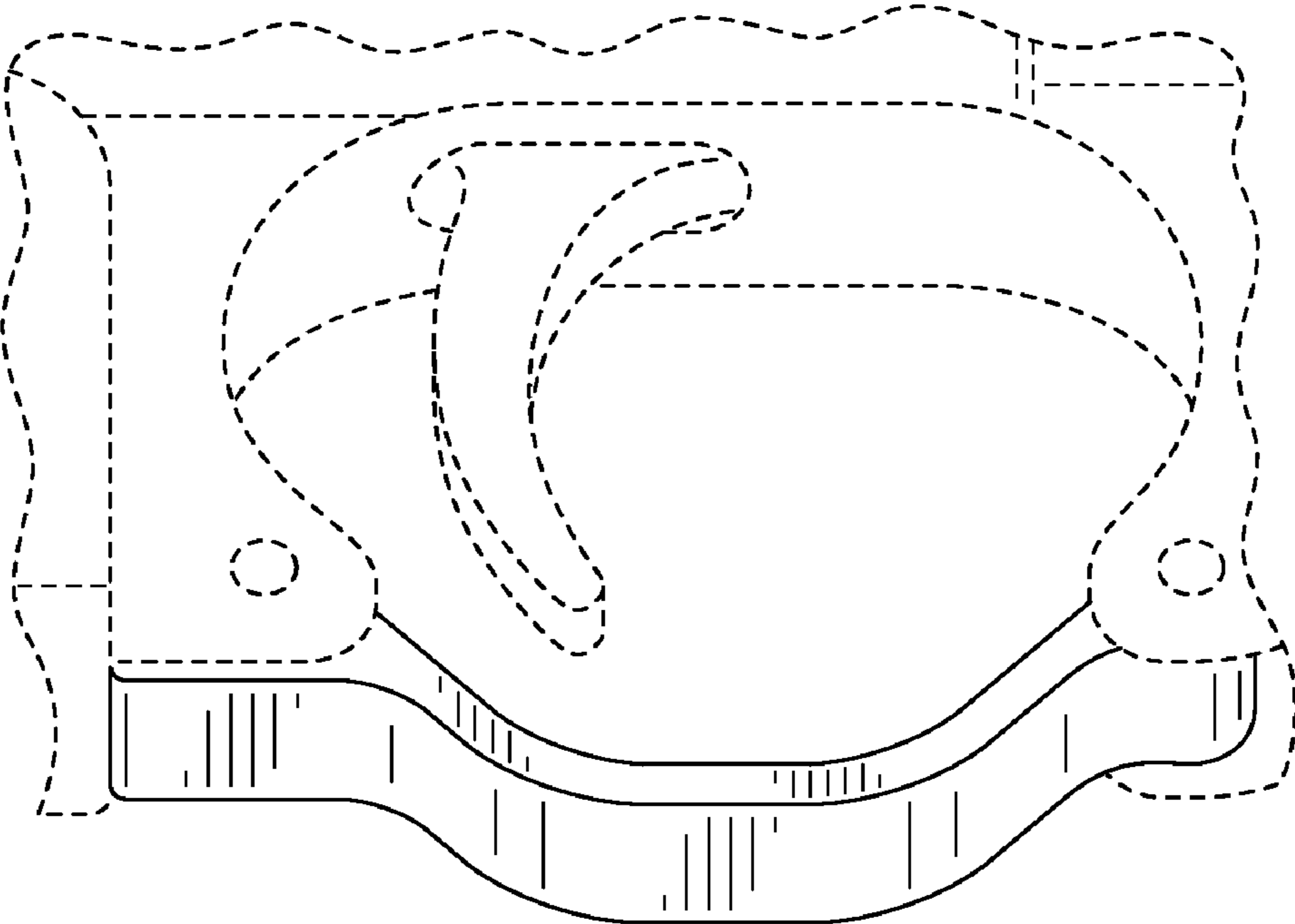


FIG. 3

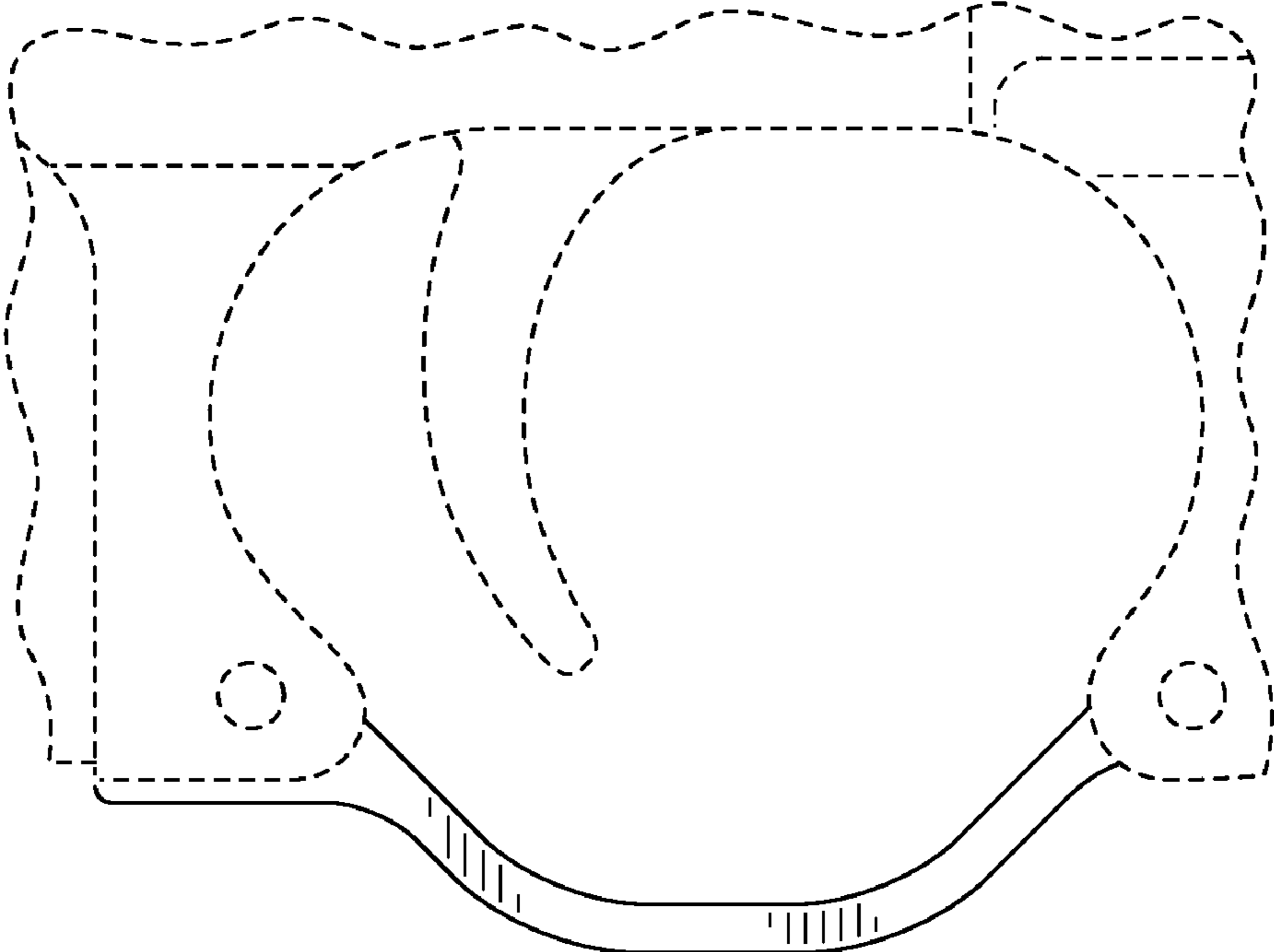


FIG. 4