



US00D627412S

(12) **United States Design Patent**
Bruce

(10) **Patent No.:** **US D627,412 S**

(45) **Date of Patent:** **** Nov. 16, 2010**

(54) **BILLIARD CUE SUPPORT**

2006/0009300 A1* 1/2006 Hernandez 473/42

(76) Inventor: **Arie Bruce**, 3718 Victoria Dr., West
Palm Beach, FL (US) 33406

* cited by examiner

Primary Examiner—Prabhakar Deshmukh
(74) *Attorney, Agent, or Firm*—McHale & Slavin, P.A.

(**) Term: **14 Years**

(21) Appl. No.: **29/343,603**

(57) **CLAIM**

(22) Filed: **Sep. 16, 2009**

The ornamental design for a billiard cue support, as shown and described.

(51) **LOC (9) Cl.** **21-01**

(52) **U.S. Cl.** **D21/782**

(58) **Field of Classification Search** D21/782,
D21/783, 726, 385, 386; 473/40–43
See application file for complete search history.

DESCRIPTION

FIG. 1 is a perspective view of a billiard cue support showing my new design;

FIG. 2 is a front elevational view thereof, the rear elevational view being a mirror image thereof;

FIG. 3 is a left side elevational view thereof, the right side elevational view being a mirror image thereof;

FIG. 4 is a top plan view thereof;

FIG. 5 is a bottom plan view thereof; and,

FIG. 6 is a perspective view thereof, shown in its environmental use.

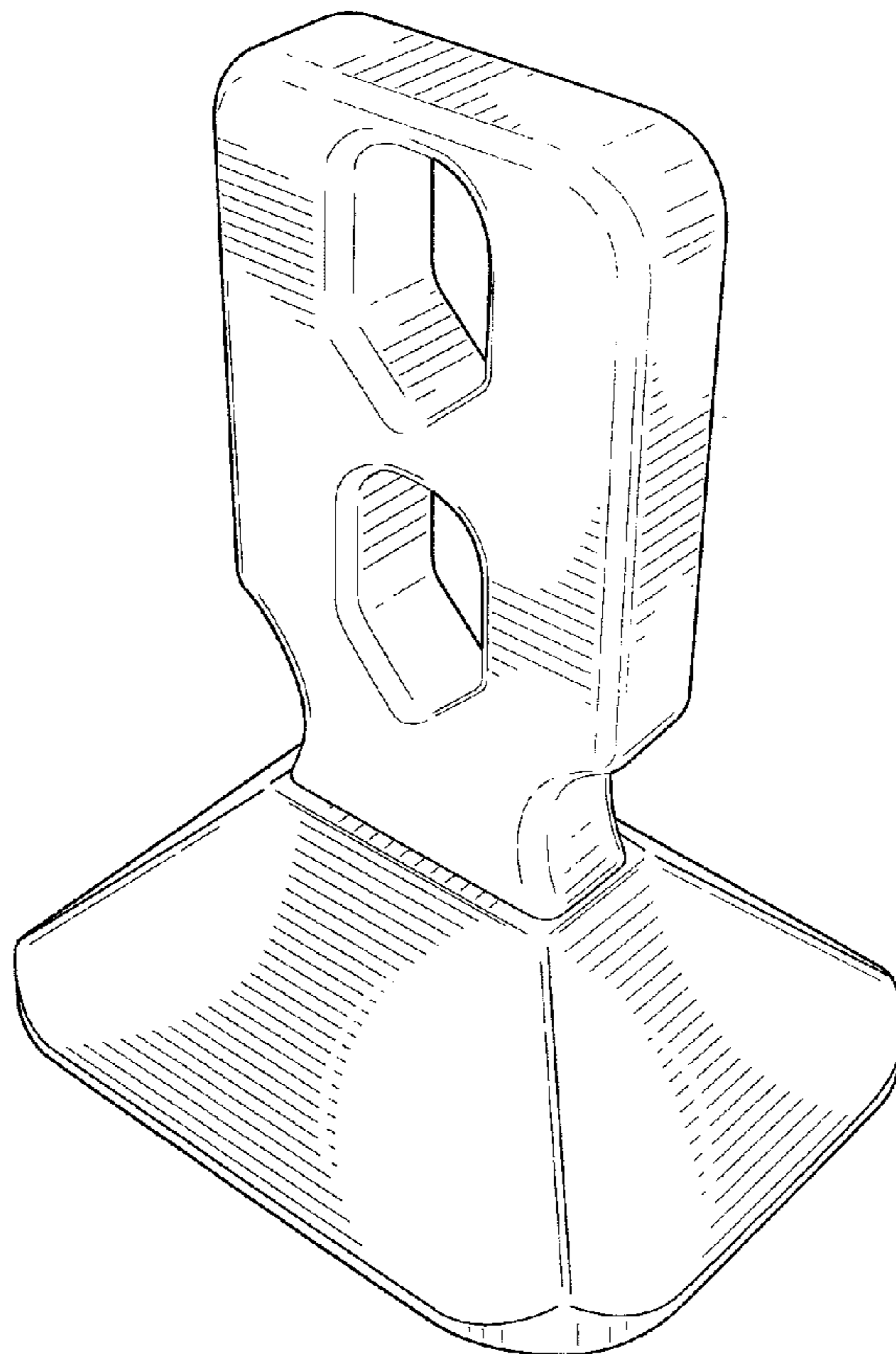
The broken lines showing of a billiard cue is for illustrative purpose only and forms no part of the claimed design.

(56) **References Cited**

U.S. PATENT DOCUMENTS

3,836,145	A *	9/1974	Frejd	473/42
D256,712	S *	9/1980	Bushberger	D21/782
5,645,490	A *	7/1997	Lodrick	473/42
D391,614	S *	3/1998	Meredith	D21/726
5,846,137	A *	12/1998	Tremblay	473/42
5,853,333	A *	12/1998	Patterson	473/42
6,267,685	B1 *	7/2001	Cannon	473/42
D453,364	S *	2/2002	Brothers	D21/726
D486,193	S *	2/2004	Keller	D21/726
7,722,472	B2 *	5/2010	Cameron et al.	473/2

1 Claim, 4 Drawing Sheets



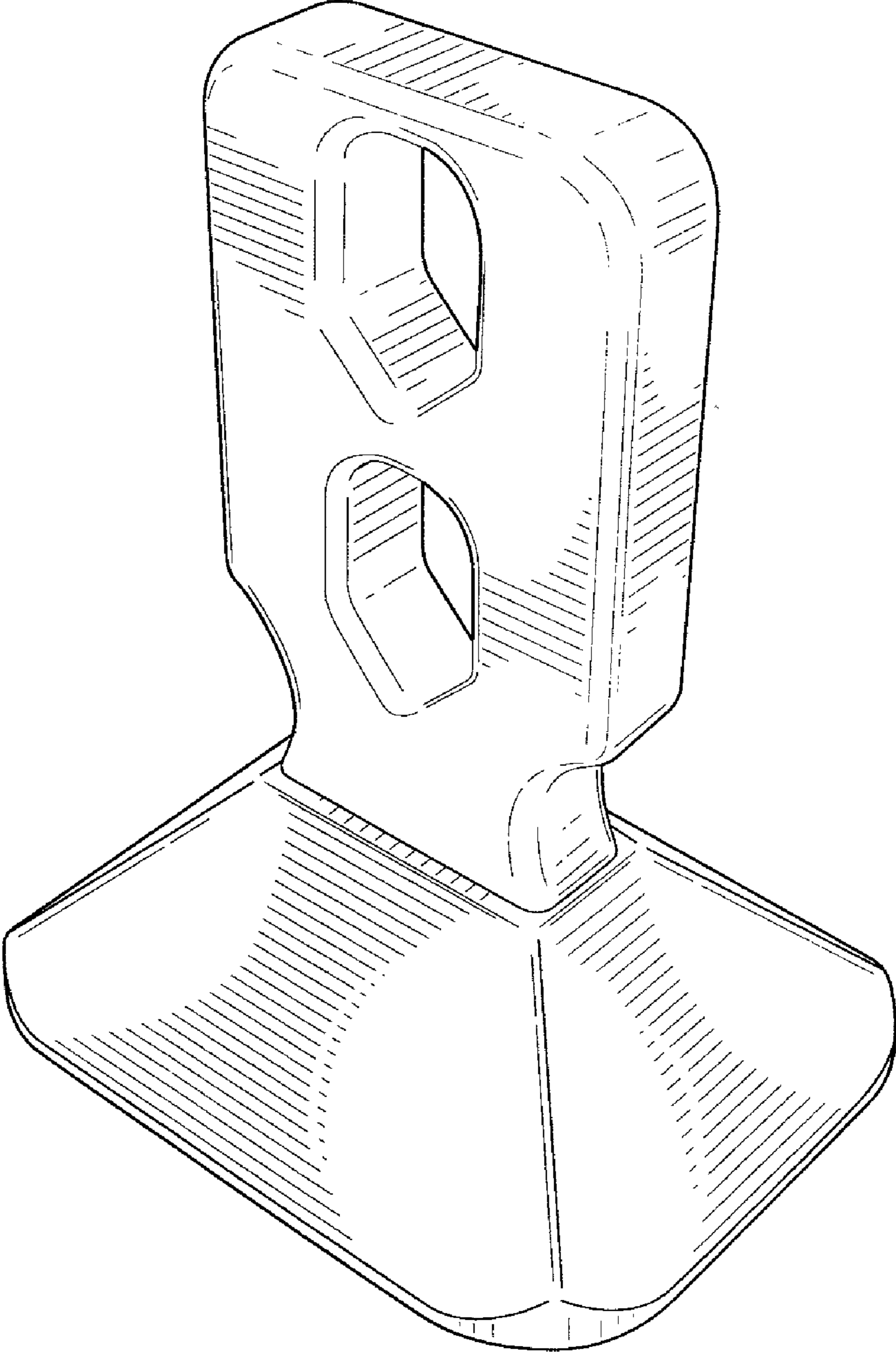


FIG. 1

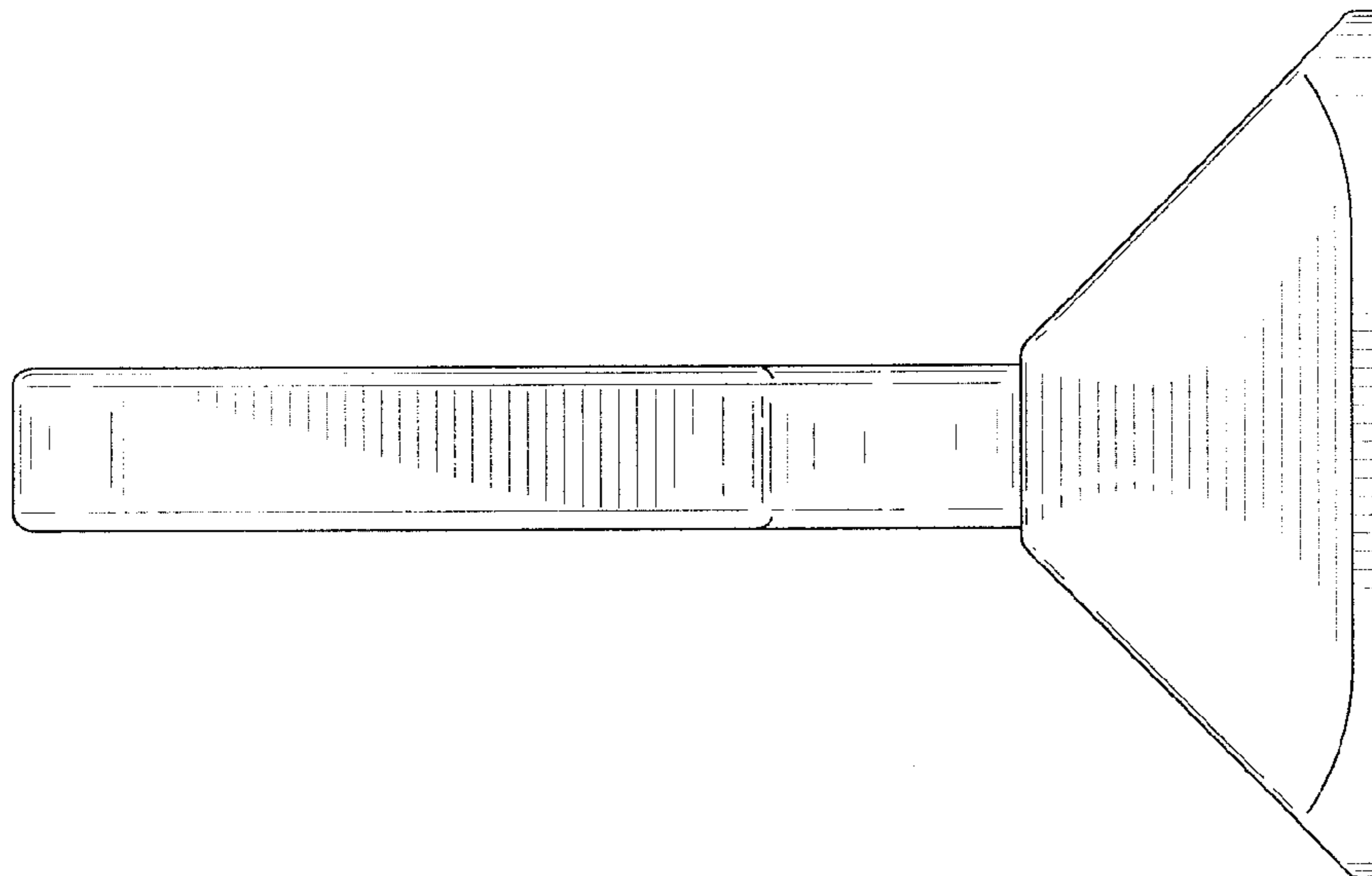


FIG. 3

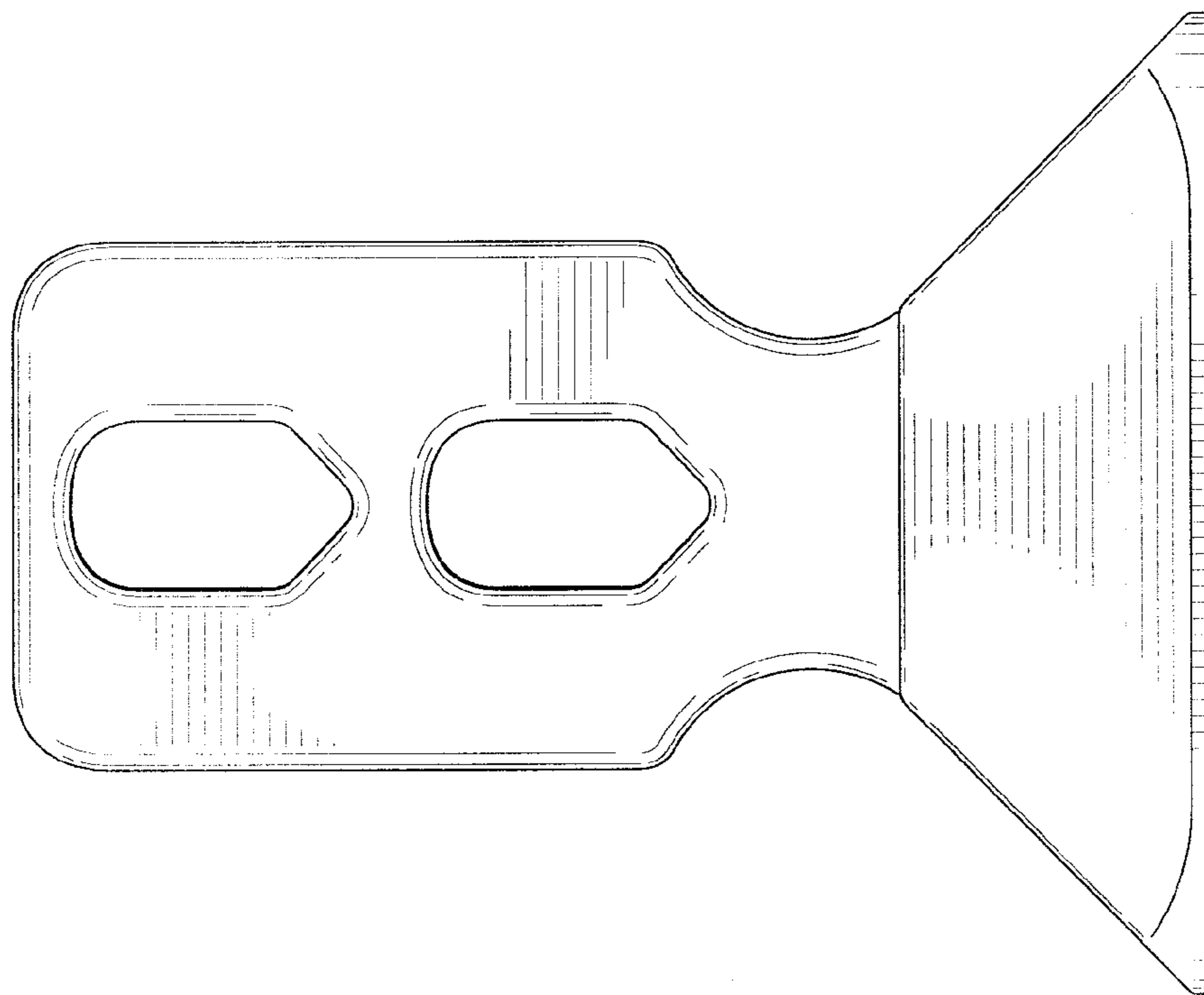


FIG. 2

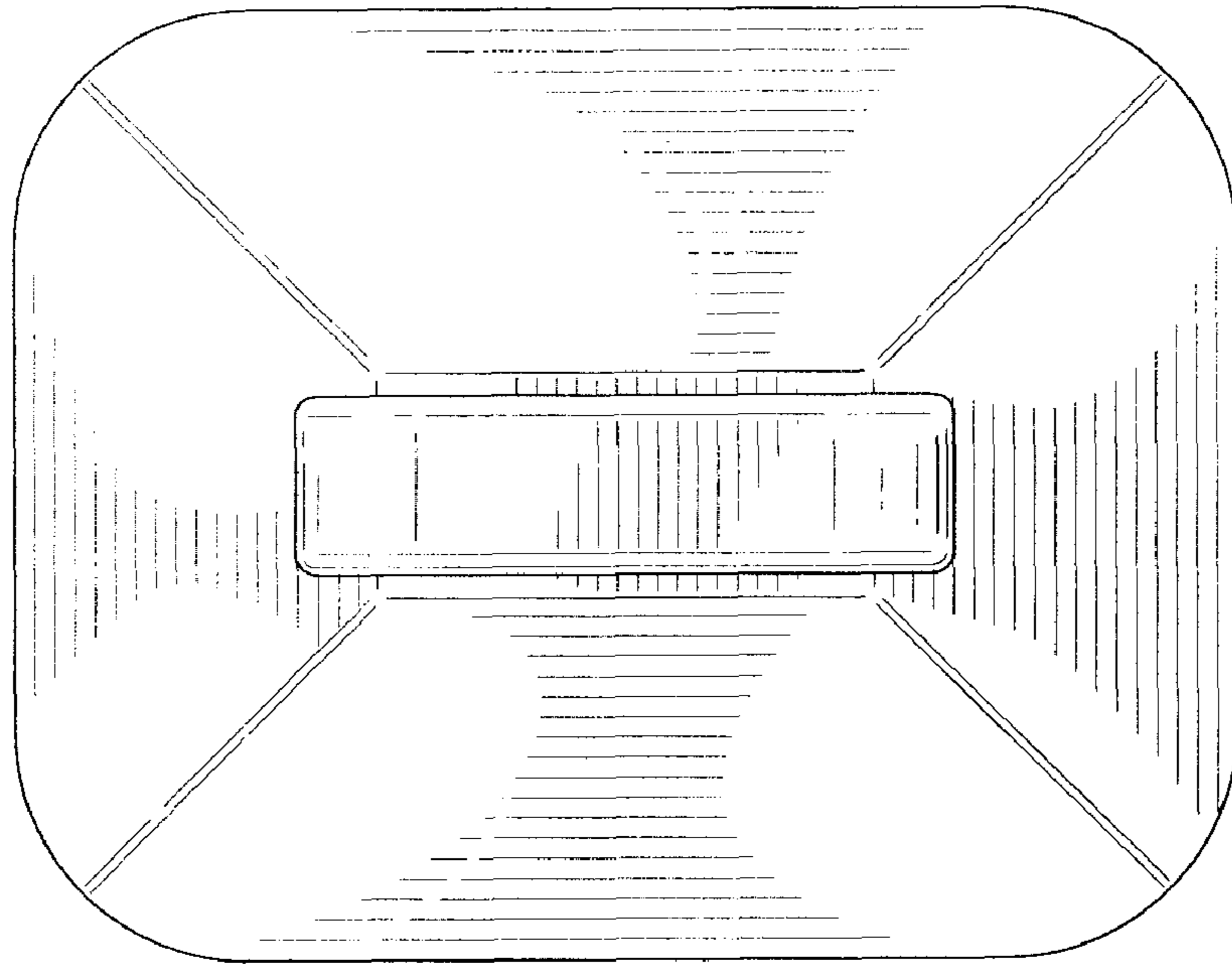


FIG. 4

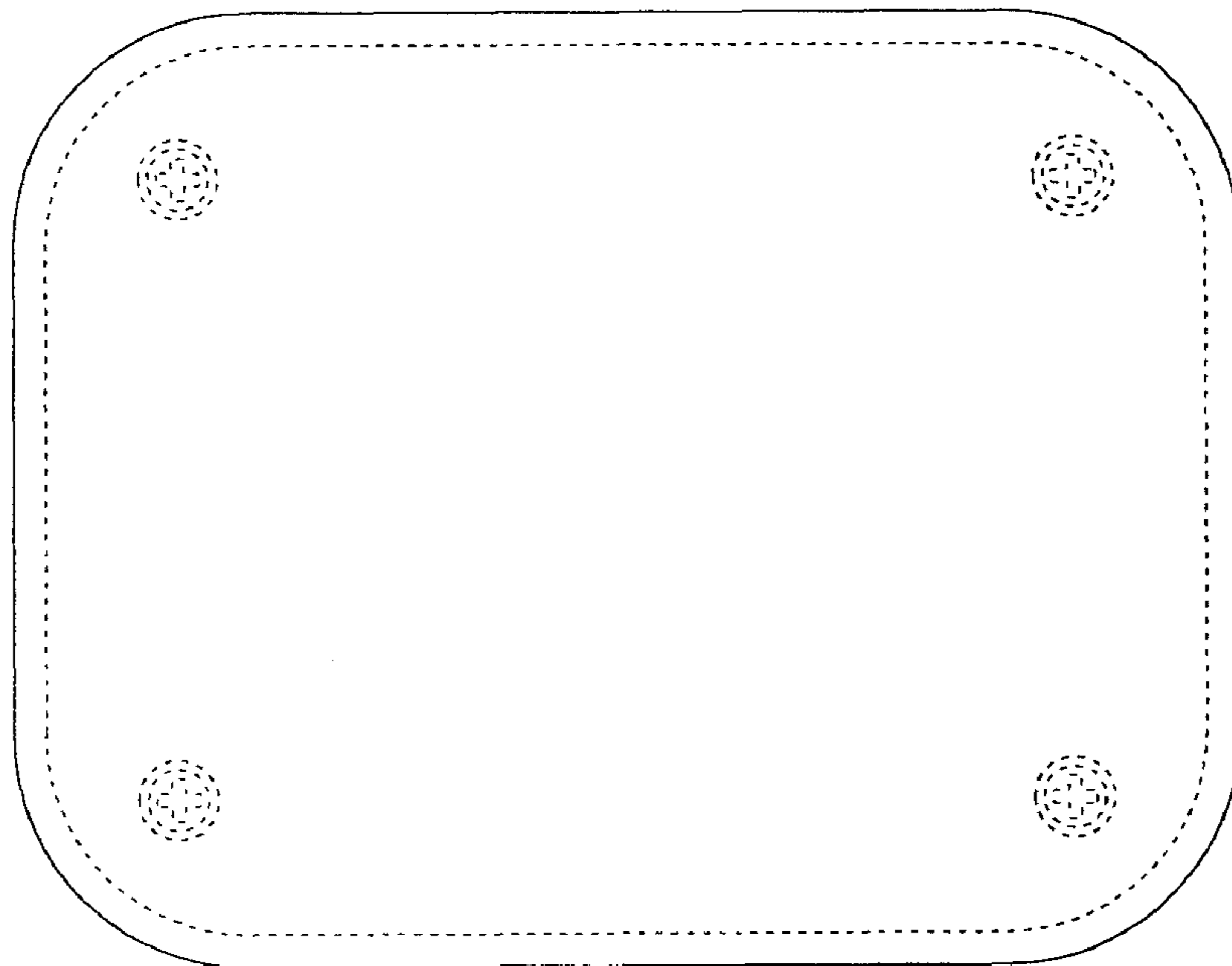


FIG. 5

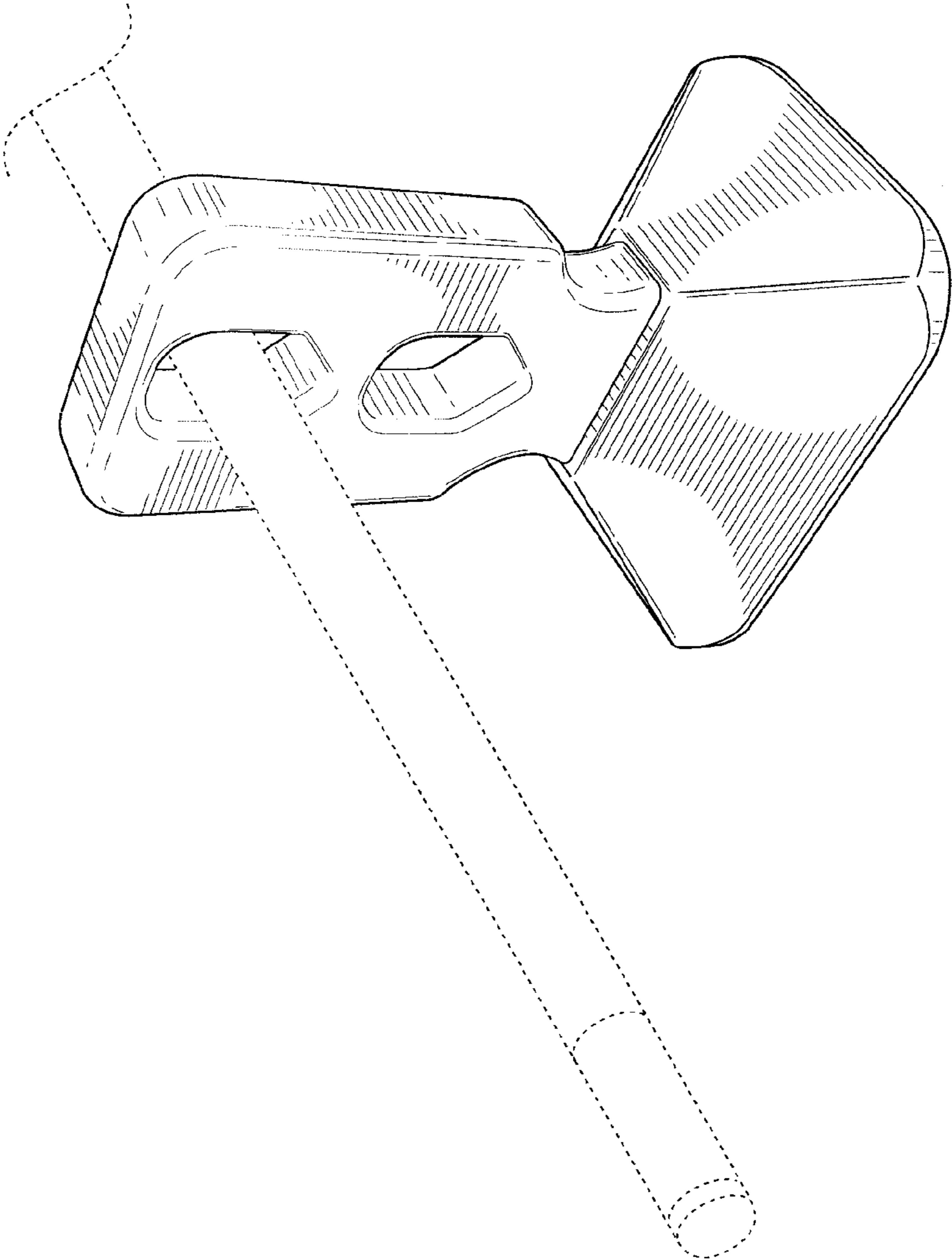


FIG. 6