



US00D627411S

(12) **United States Design Patent**  
**Windsor**

(10) **Patent No.:** **US D627,411 S**

(45) **Date of Patent:** **\*\* Nov. 16, 2010**

(54) **RESILIENT SWING TRAINER**

(76) **Inventor:** **Steve Windsor**, P.O. Box 2405, Spring,  
TX (US) 77383-2405

(\*\*) **Term:** **14 Years**

(21) **Appl. No.:** **29/360,883**

(22) **Filed:** **May 2, 2010**

(51) **LOC (9) Cl.** ..... **21-02**

(52) **U.S. Cl.** ..... **D21/780**

(58) **Field of Classification Search** ..... D21/698,  
D21/715, 717, 719-721, 780, 791; 473/257,  
473/258, 260, 415-504

See application file for complete search history.

(56) **References Cited**

**U.S. PATENT DOCUMENTS**

1,854,392	A *	4/1932	Bambrick	.....	473/264
3,341,200	A *	9/1967	Brandley	.....	473/429
3,940,131	A	2/1976	St. Claire, Jr.		
4,592,545	A *	6/1986	Sagedahl et al.	.....	482/7
5,029,852	A *	7/1991	Gilfillan	.....	473/417
5,087,039	A	2/1992	Laseke		
5,441,255	A *	8/1995	Verbick	.....	473/55
5,478,070	A	12/1995	Morrison		
5,595,384	A *	1/1997	Hardison, Jr.	.....	473/453
6,645,094	B2 *	11/2003	Obidiegwu	.....	473/461
6,666,781	B1 *	12/2003	Illis	.....	473/453
6,821,213	B1 *	11/2004	Ko	.....	473/257
7,182,705	B2 *	2/2007	Lin	.....	473/417
D593,628	S *	6/2009	Kallenbach	.....	D21/791

7,662,052	B1 *	2/2010	Vidrine	.....	473/422
2005/0255931	A1 *	11/2005	Baldwin	.....	473/257
2010/0041497	A1 *	2/2010	Krawczyk	.....	473/417

\* cited by examiner

*Primary Examiner*—Catherine Tuttle

(74) *Attorney, Agent, or Firm*—The Compton Law Firm, P.C.;  
Scott D. Compton

(57) **CLAIM**

The ornamental design for a resilient swing trainer, as shown and described.

**DESCRIPTION**

FIG. 1 is a perspective view of a resilient swing trainer showing my new design;

FIG. 2 is a front elevational view of the resilient swing trainer, the front and back being mirror images of one another;

FIG. 3 is a left side elevational view of the resilient swing trainer;

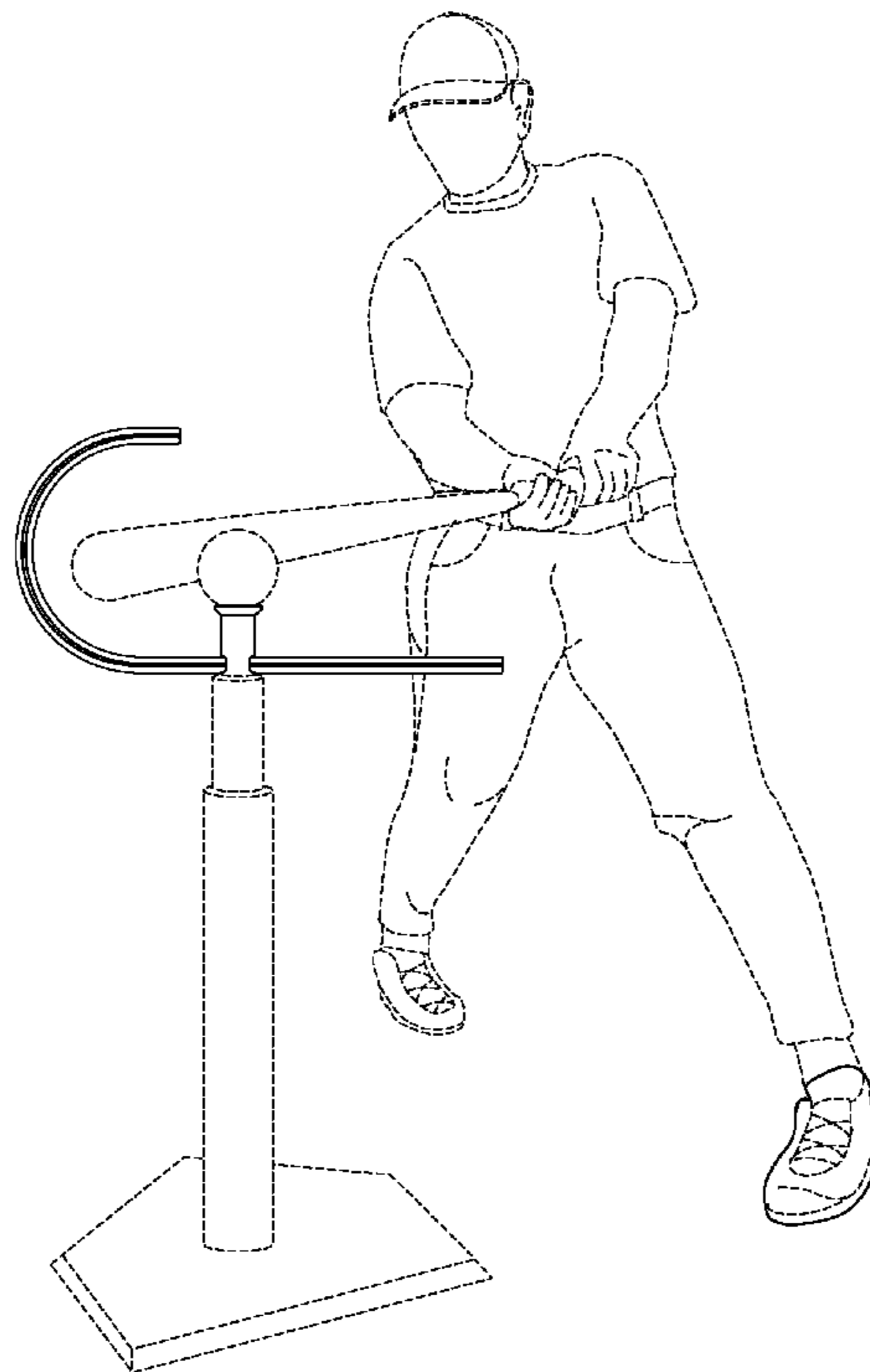
FIG. 4 is a right side elevational view of the resilient swing trainer;

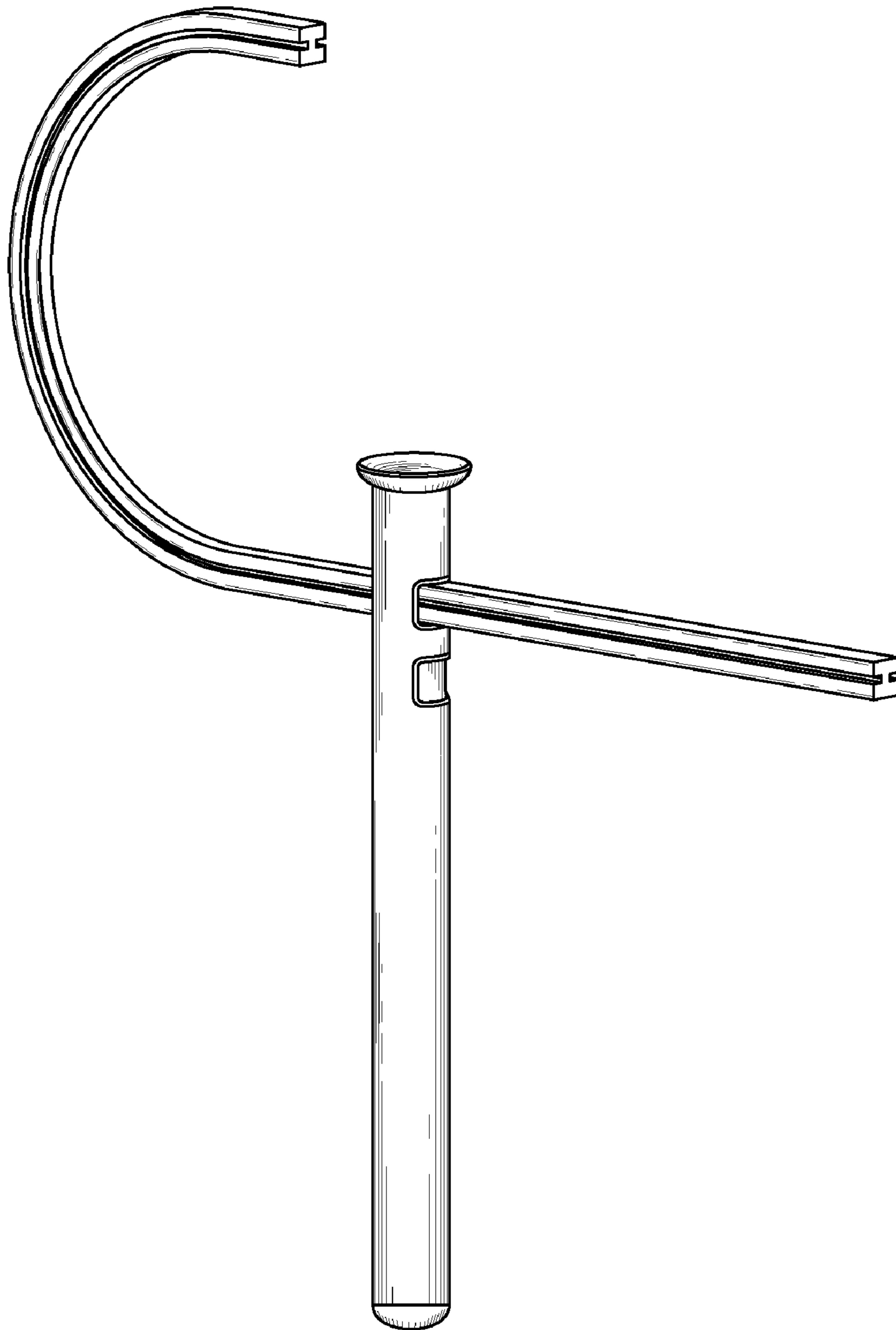
FIG. 5 is a top view of the resilient swing trainer;

FIG. 6 is a bottom view of the resilient swing trainer; and,

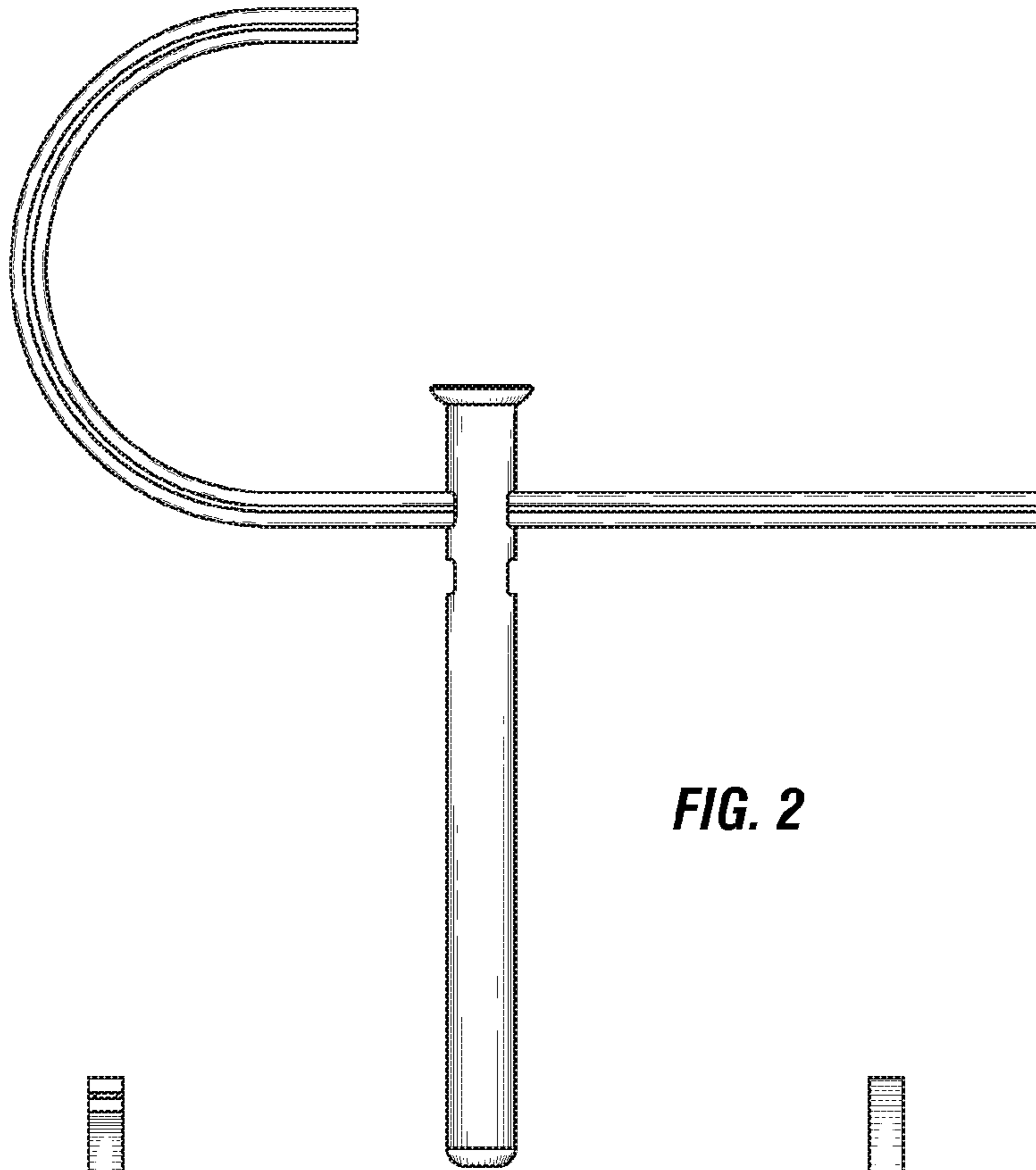
FIG. 7 is a perspective view of the resilient swing trainer, whereby the broken lines representing the individual, bat, ball, and batting tee are shown for environmental purposes only and form no part of the claimed design.

**1 Claim, 3 Drawing Sheets**

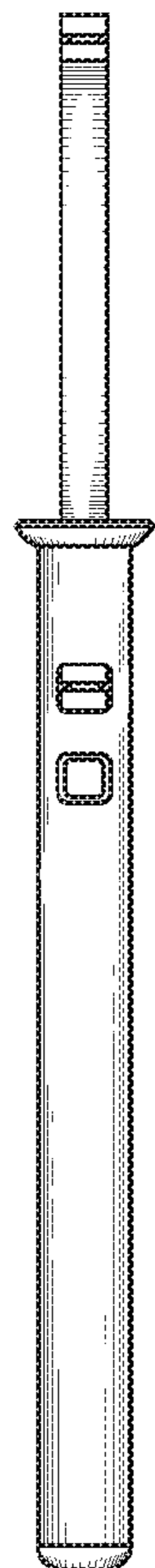




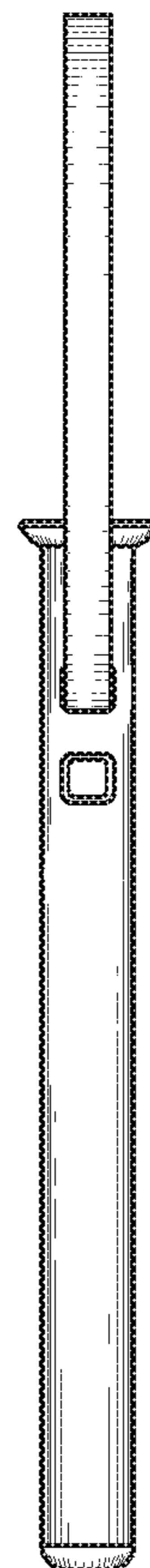
**FIG. 1**



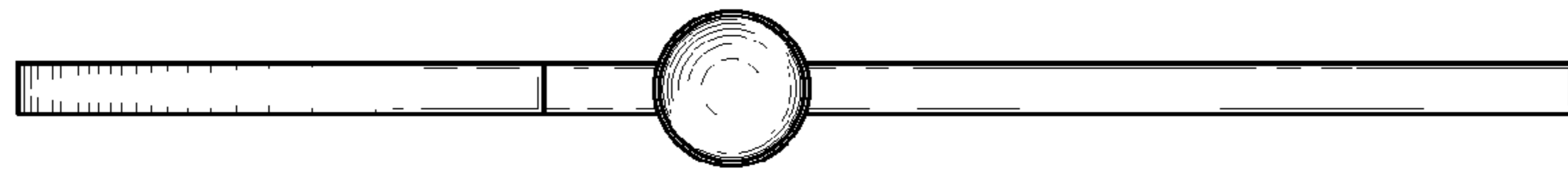
**FIG. 2**



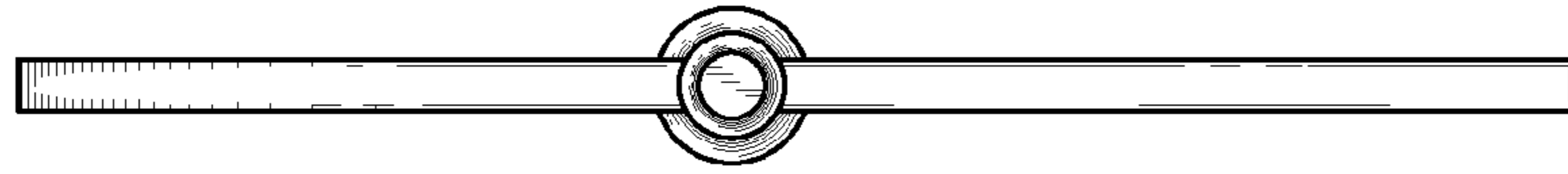
**FIG. 3**



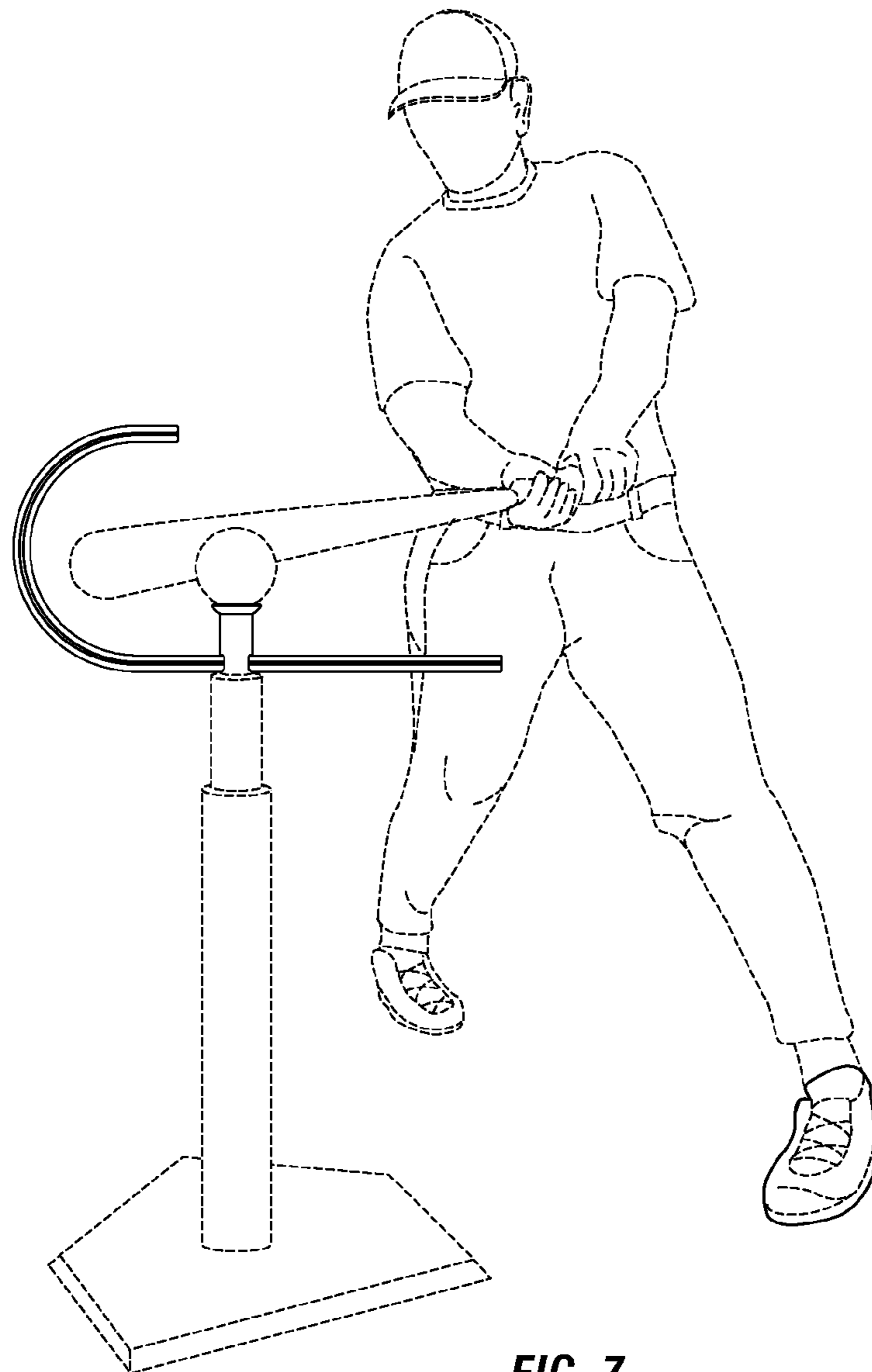
**FIG. 4**



**FIG. 5**



**FIG. 6**



**FIG. 7**