



US00D627404S

(12) **United States Design Patent**  
**Suzuki**

(10) **Patent No.:** **US D627,404 S**

(45) **Date of Patent:** **\*\* Nov. 16, 2010**

(54) **REMOTE-CONTROLLED TOY AIRCRAFT**

(75) Inventor: **Masahiko Suzuki**, Hamamatsu (JP)

(73) Assignee: **Global Energy Co. Ltd.**, Tokyo (JP)

(\*\*) Term: **14 Years**

(21) Appl. No.: **29/347,530**

(22) Filed: **Feb. 24, 2010**

(51) **LOC (9) Cl.** ..... **21-01**

(52) **U.S. Cl.** ..... **D21/447; D12/319**

(58) **Field of Classification Search** ..... D12/319,  
D12/324-329, 447-452; D21/441-442,  
D21/447-452; 244/17.11, 17.13, 17.19,  
244/17.23, 17.25; 446/34, 36, 55-61, 67-68,  
446/230-232

See application file for complete search history.

(56) **References Cited**

**U.S. PATENT DOCUMENTS**

- D137,979 S \* 5/1944 Gazda ..... D12/324
- D273,005 S \* 3/1984 McComas ..... D12/335
- 5,622,133 A \* 4/1997 Sinitsyn et al. .... 244/105
- D533,604 S \* 12/2006 Butler et al. .... D21/447

D543,248 S \* 5/2007 Winston ..... D21/450

\* cited by examiner

*Primary Examiner*—Sandra Morris

(74) *Attorney, Agent, or Firm*—Jacobson Holman PLLC

(57) **CLAIM**

The ornamental design for a remote-controlled toy aircraft, as shown.

**DESCRIPTION**

FIG. 1 is a front perspective view of a remote-controlled toy aircraft showing my new design;

FIG. 2 is a rear perspective view thereof;

FIG. 3 is a front elevational view thereof;

FIG. 4 is a rear elevational view thereof;

FIG. 5 is a top plan view thereof;

FIG. 6 is a bottom plan view thereof;

FIG. 7 is a right side elevational view thereof;

FIG. 8 is a left side elevational view thereof;

FIG. 9 is a vertical sectional view taken along the line 9—9 in FIG. 3; and,

FIG. 10 is a horizontal sectional view taken along the line 10—10 in FIG. 5.

**1 Claim, 9 Drawing Sheets**

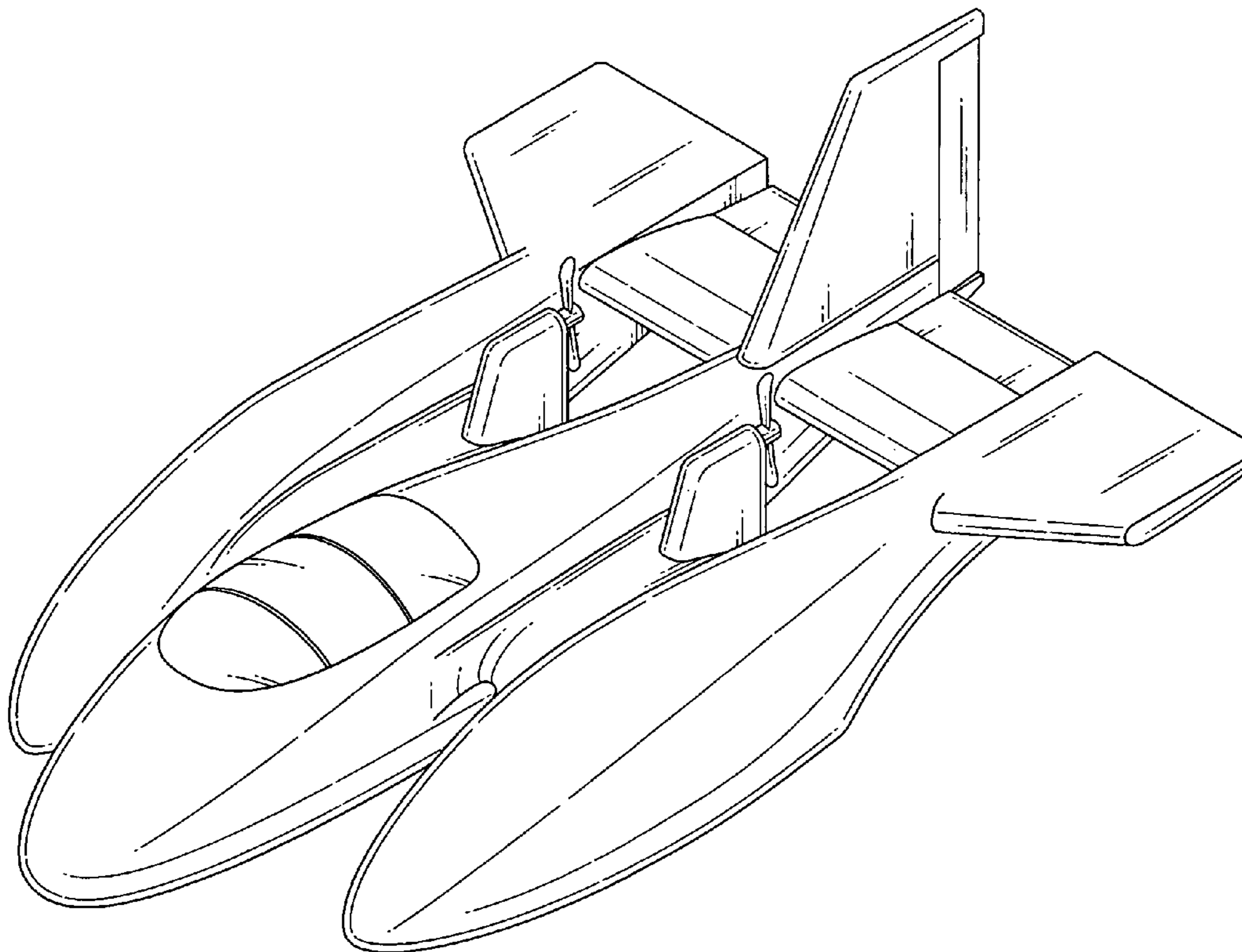


FIG.1

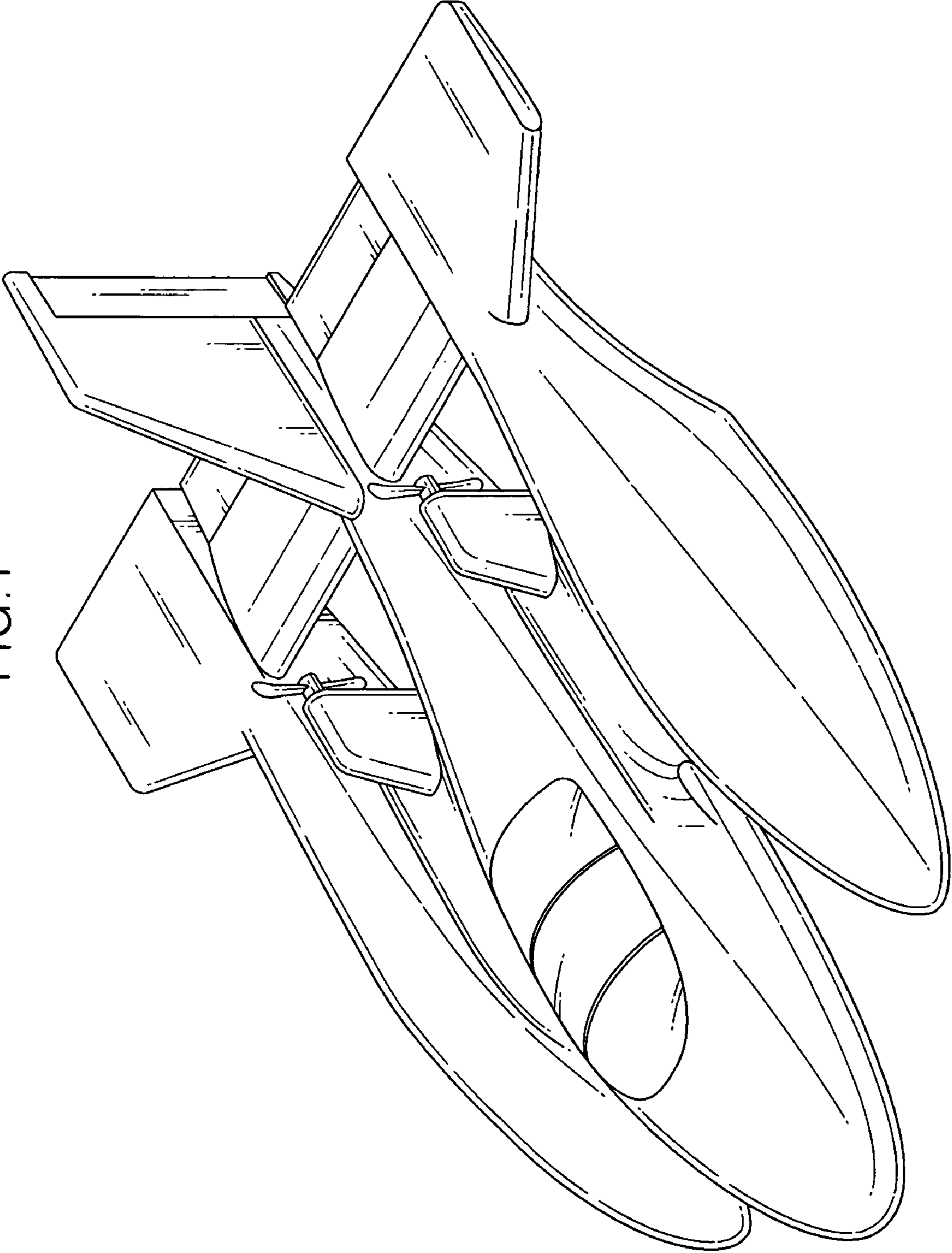


FIG.2

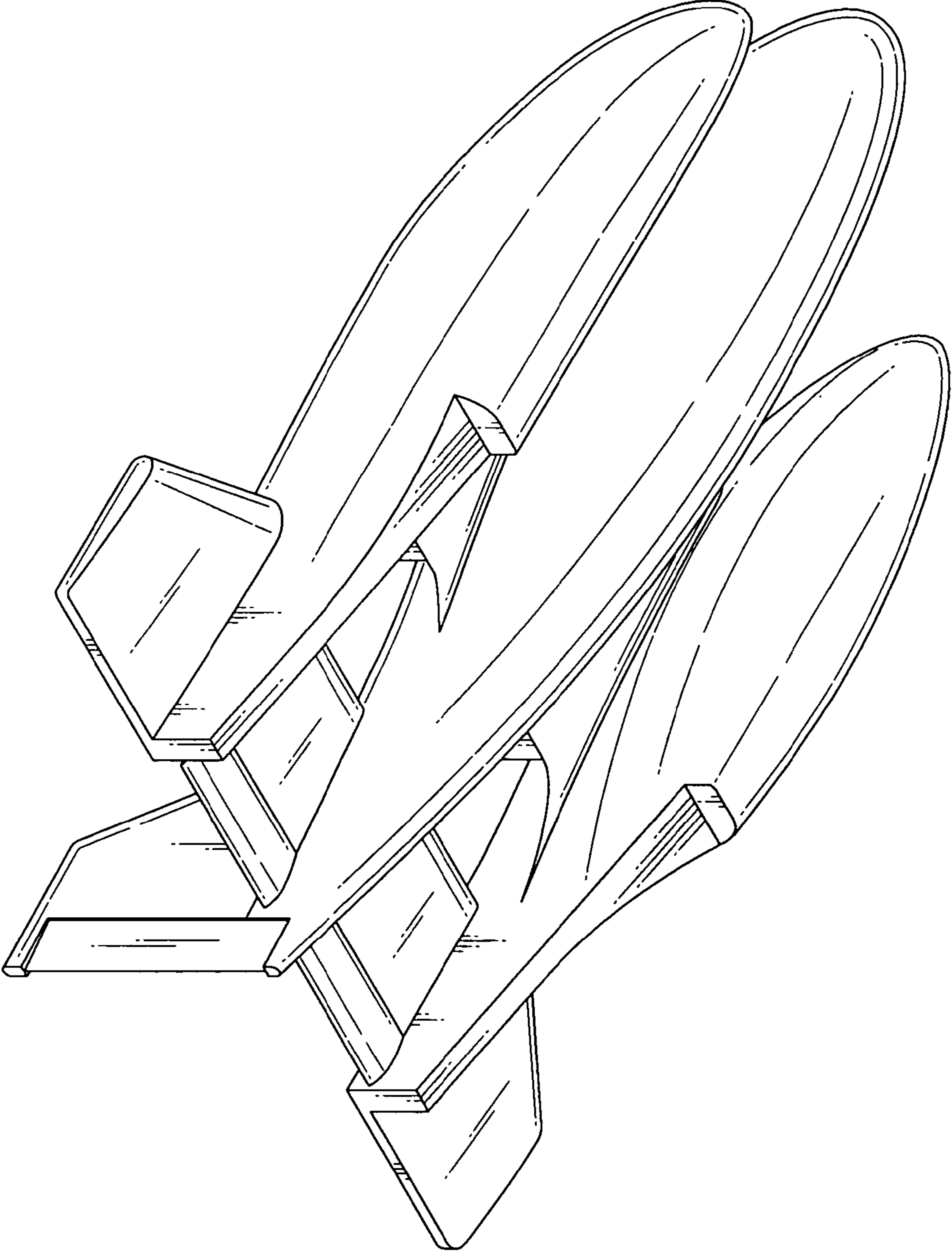


FIG. 3

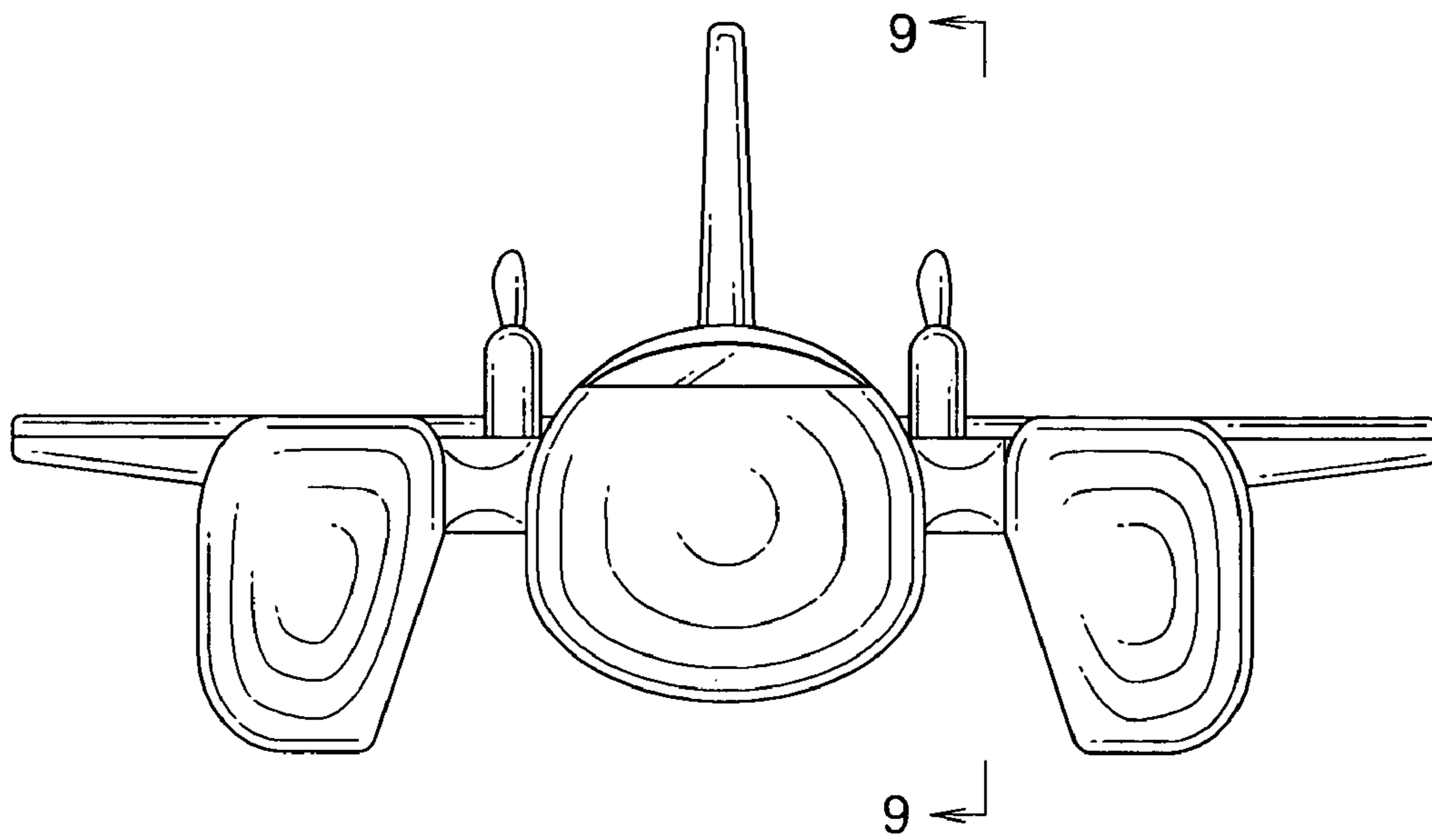


FIG. 4

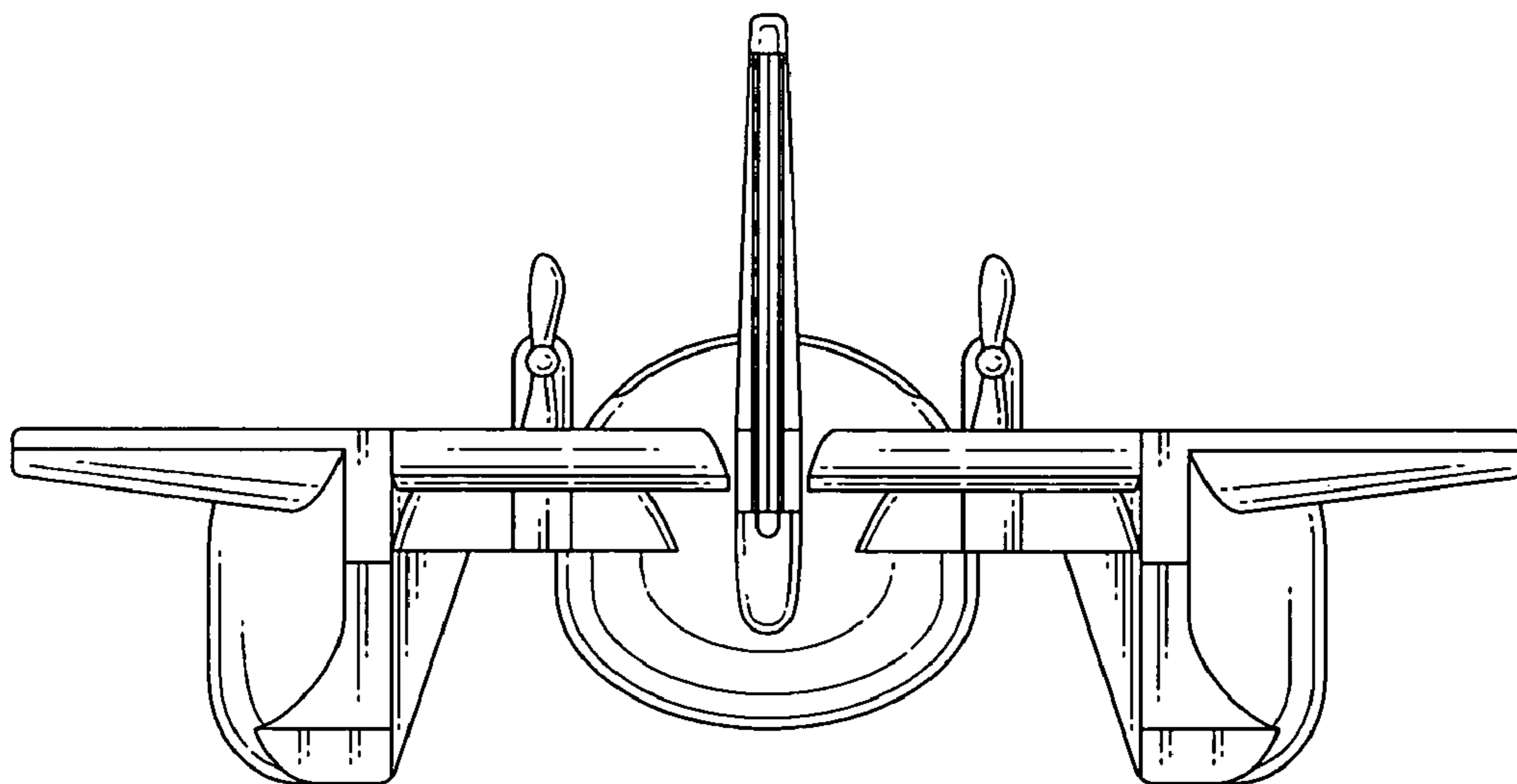


FIG. 5

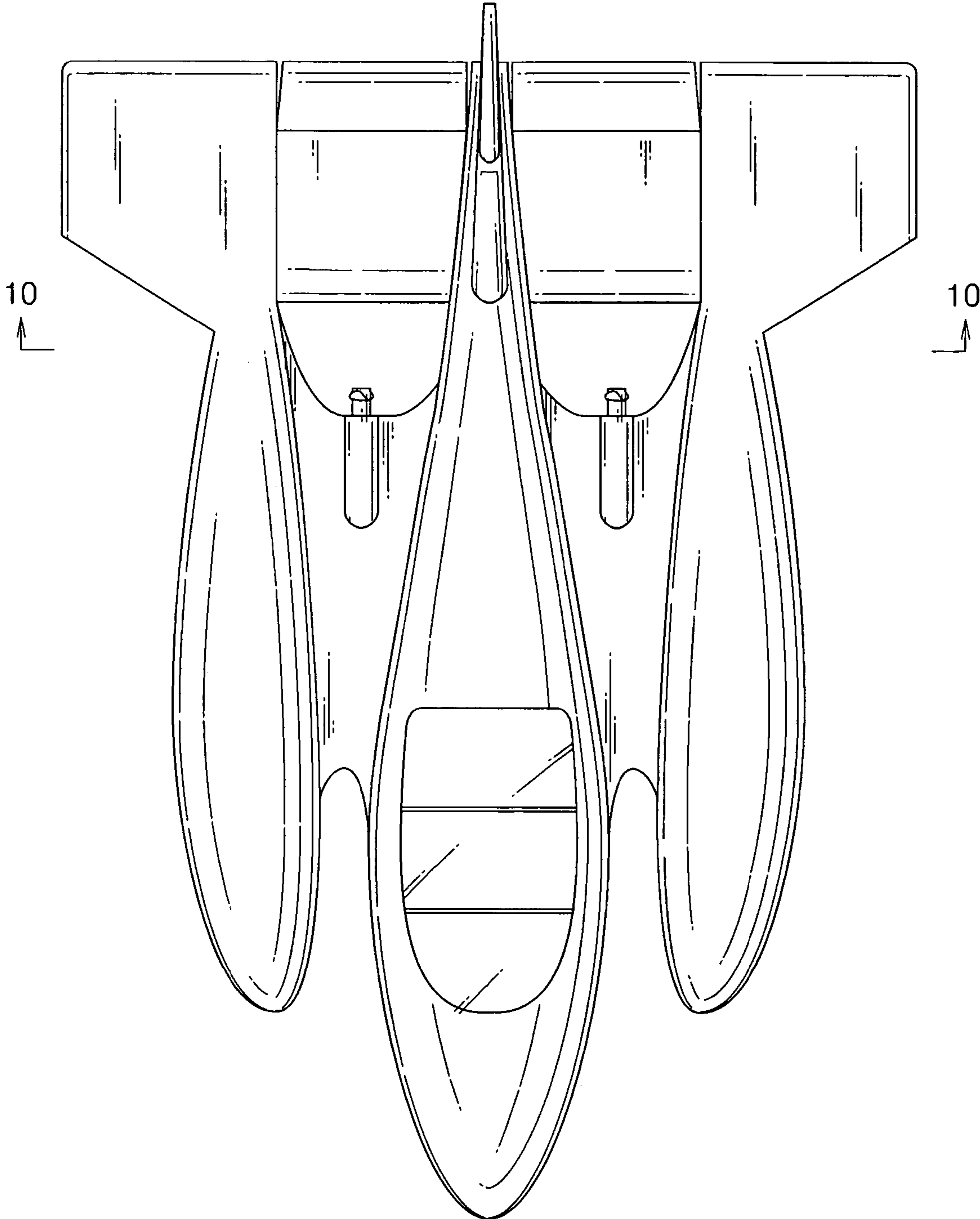


FIG. 6

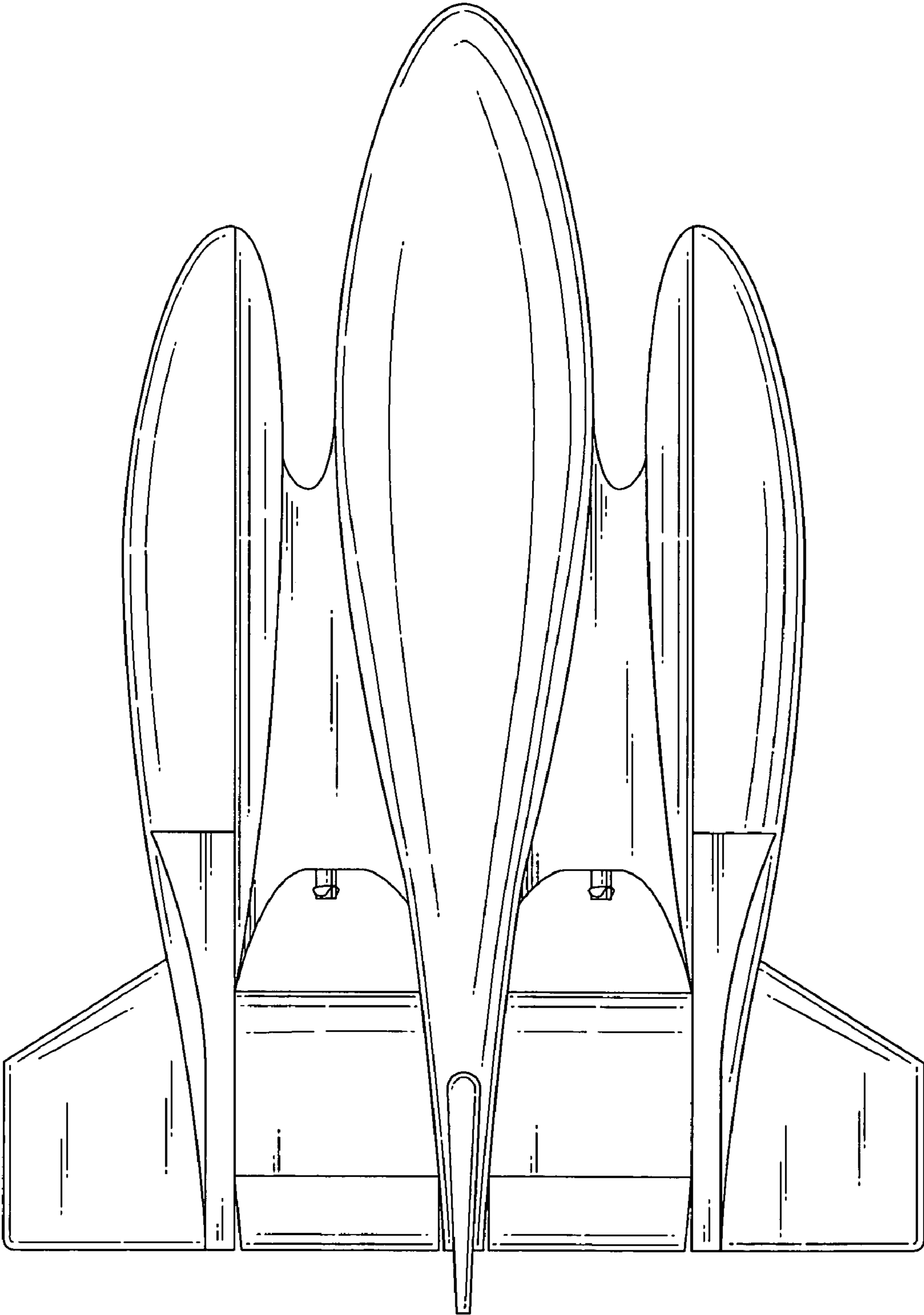


FIG. 7

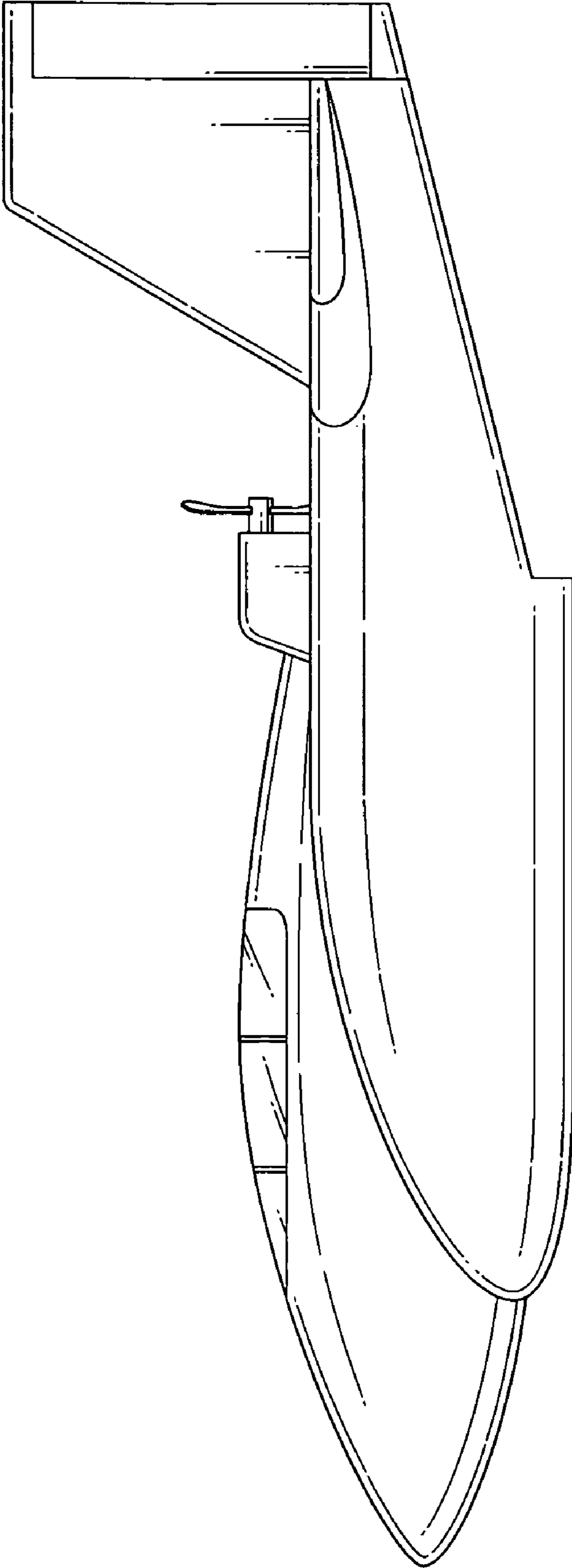


FIG. 8

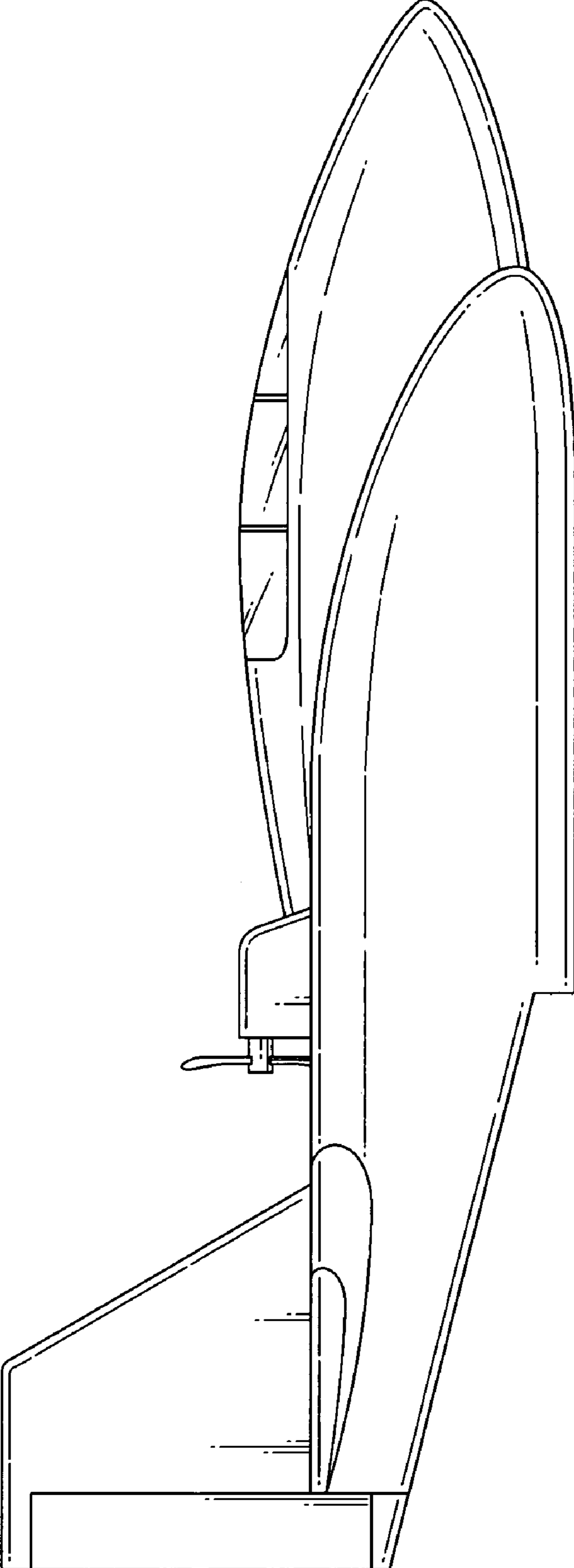




FIG. 9

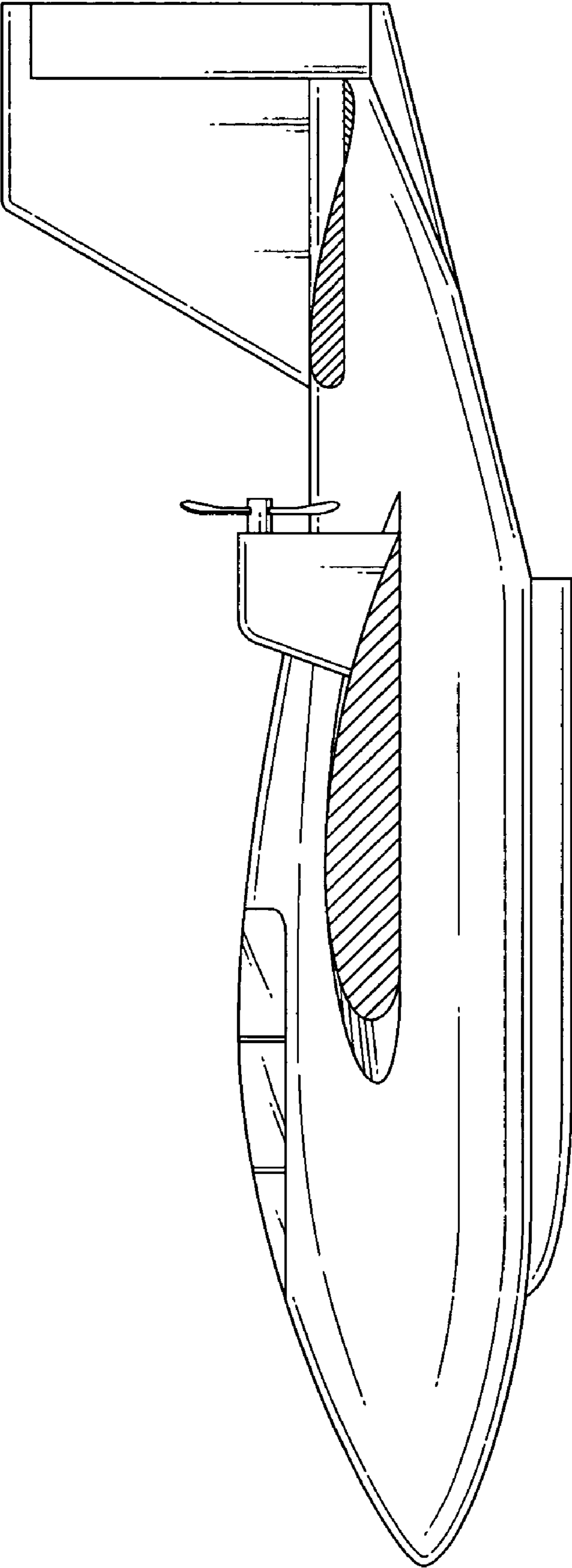


FIG. 10

