



US00D627402S

(12) **United States Design Patent**
Seelig et al.

(10) **Patent No.:** **US D627,402 S**

(45) **Date of Patent:** **** Nov. 16, 2010**

(54) **GAMING DEVICE DISPLAY**

2005/0014547 A1* 1/2005 Gomez et al. 463/16
* cited by examiner

(75) Inventors: **Jerald C. Seelig**, Galloway, NJ (US);
Lawrence M. Henshaw, Hammonton,
NJ (US); **David Streno**, Linwood, NJ
(US)

Primary Examiner—Sandra Morris
(74) *Attorney, Agent, or Firm*—Ian F. Burns & Associates,
P.C.

(73) Assignee: **Atlantic City Coin & Slot Service
Company, Inc.**, Pleasantville, NJ (US)

(57) **CLAIM**

An ornamental design for a gaming device display, as shown
and described.

(**) Term: **14 Years**

(21) Appl. No.: **29/350,387**

DESCRIPTION

FIG. 1 is substantially a perspective view of the gaming
device display.

(22) Filed: **Nov. 16, 2009**

FIG. 2 is substantially a front elevational view of the gaming
device display shown in FIG. 1.

(51) **LOC (9) Cl.** **21-01**

(52) **U.S. Cl.** **D21/385; D21/370**

(58) **Field of Classification Search** D21/369–371,
D21/374, 385; 463/16–17, 20, 46–47
See application file for complete search history.

FIG. 3 is substantially a left side elevational view of the
gaming device display shown in FIG. 1.

FIG. 4 is substantially a top view of the gaming device display
shown in FIG. 1; and,

(56) **References Cited**

U.S. PATENT DOCUMENTS

D450,096 S * 11/2001 Legras et al. D21/385

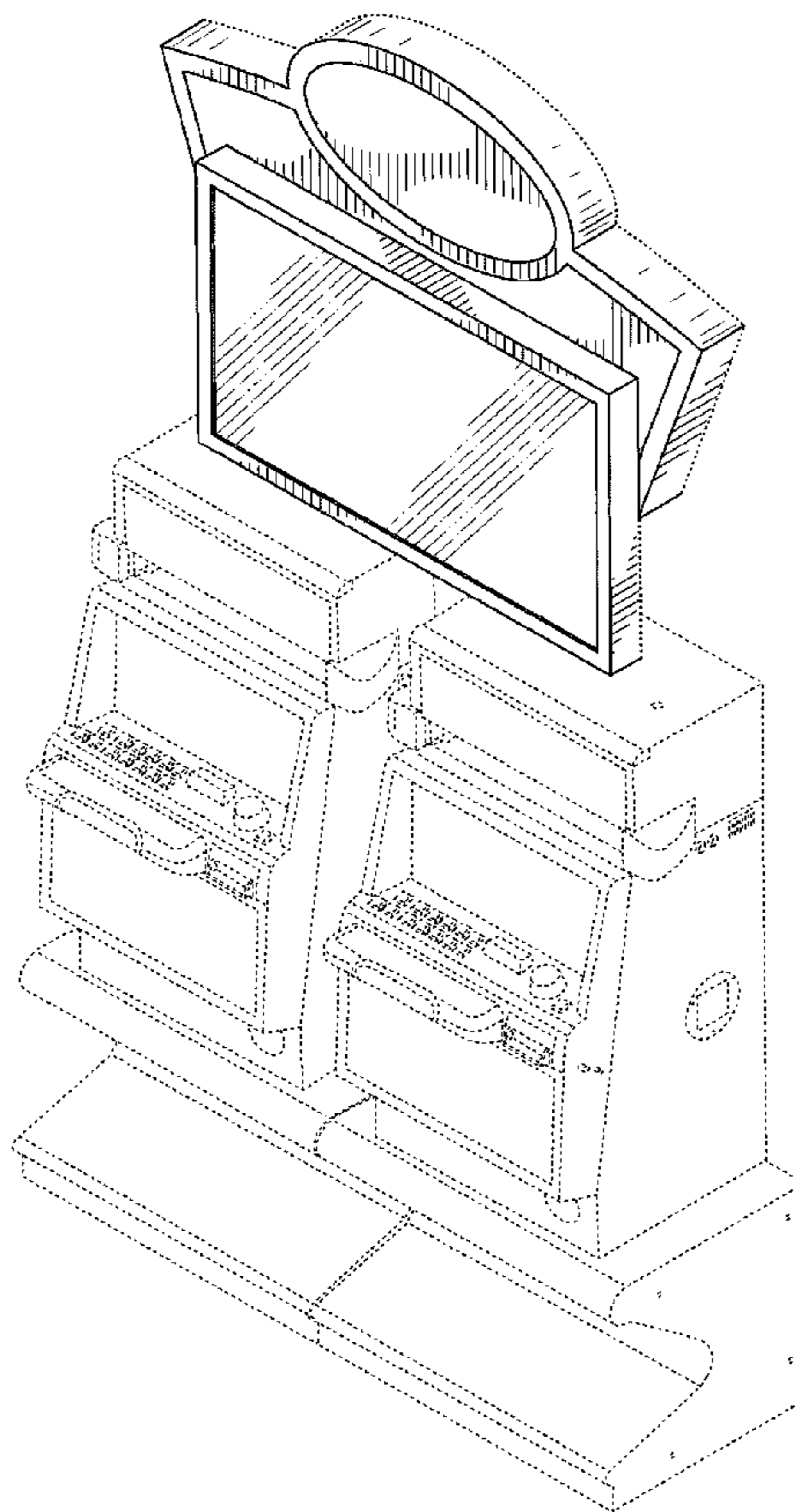
D562,912 S * 2/2008 Myers D21/385

D599,859 S * 9/2009 Lesley et al. D21/370

FIG. 5 is substantially a back view of the gaming device
display shown in FIG. 1.

Broken lines illustrate features or environmental components
that are not part of the design sought to be patented.

1 Claim, 5 Drawing Sheets



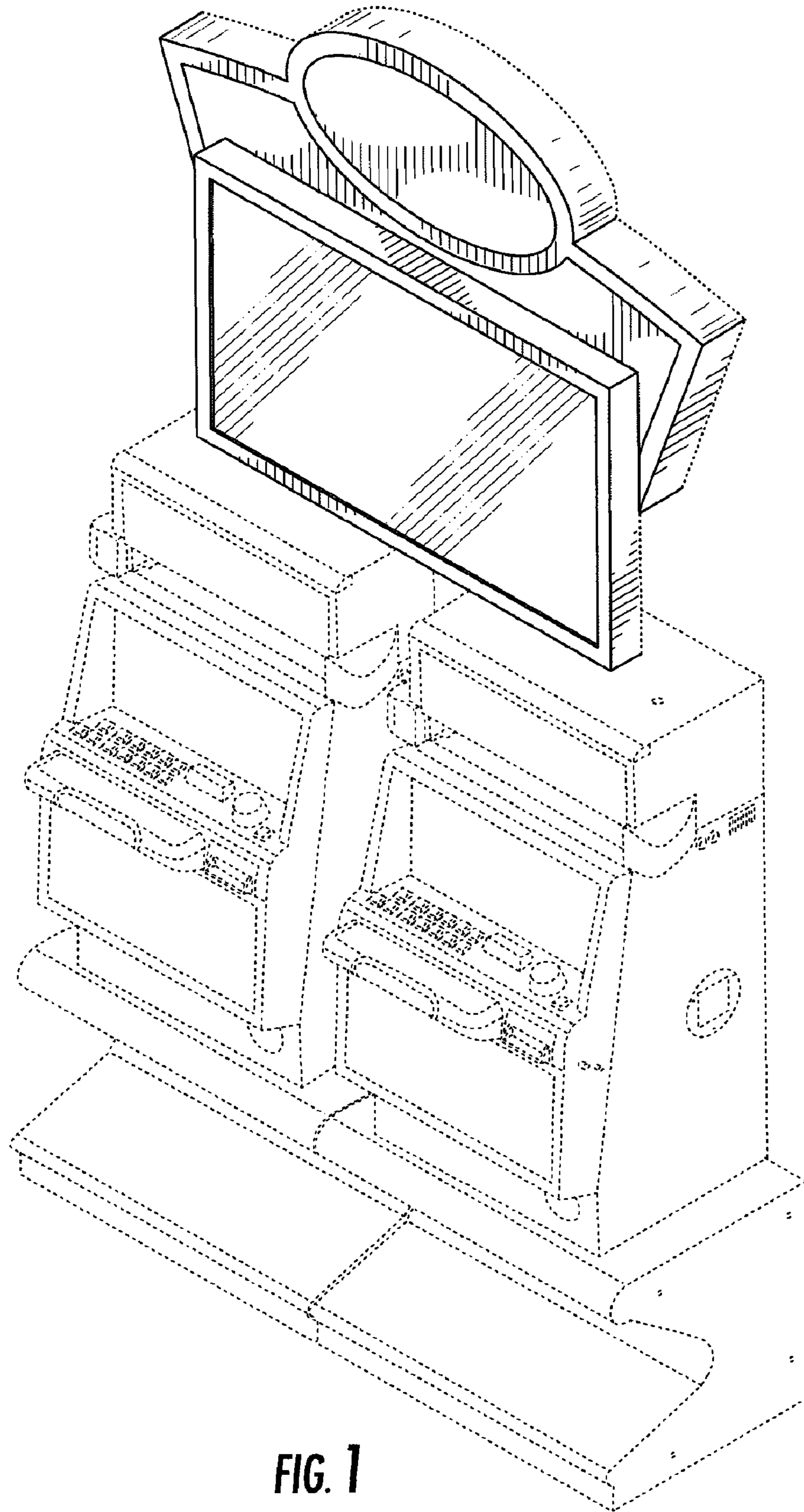


FIG. 1

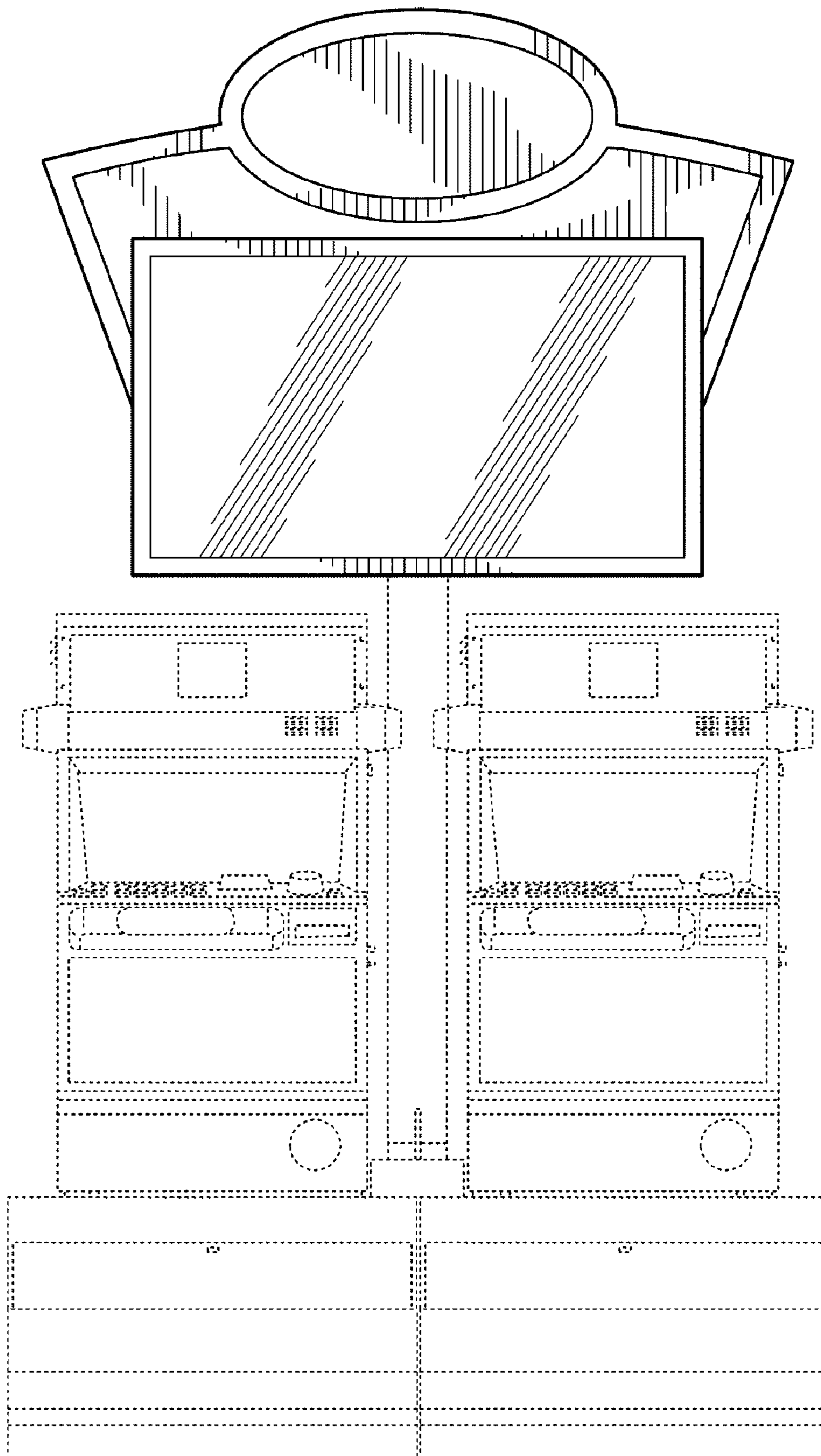


FIG. 2

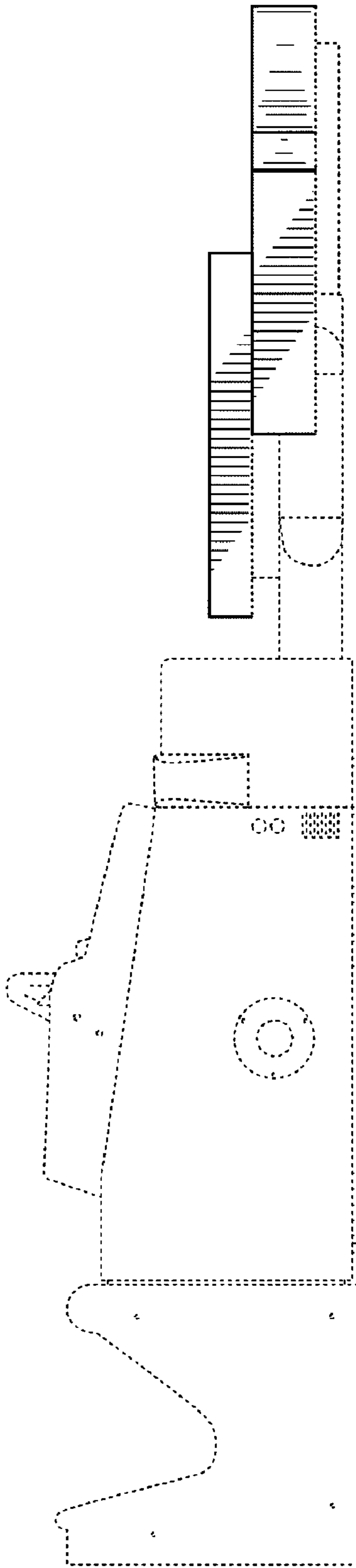


FIG. 3

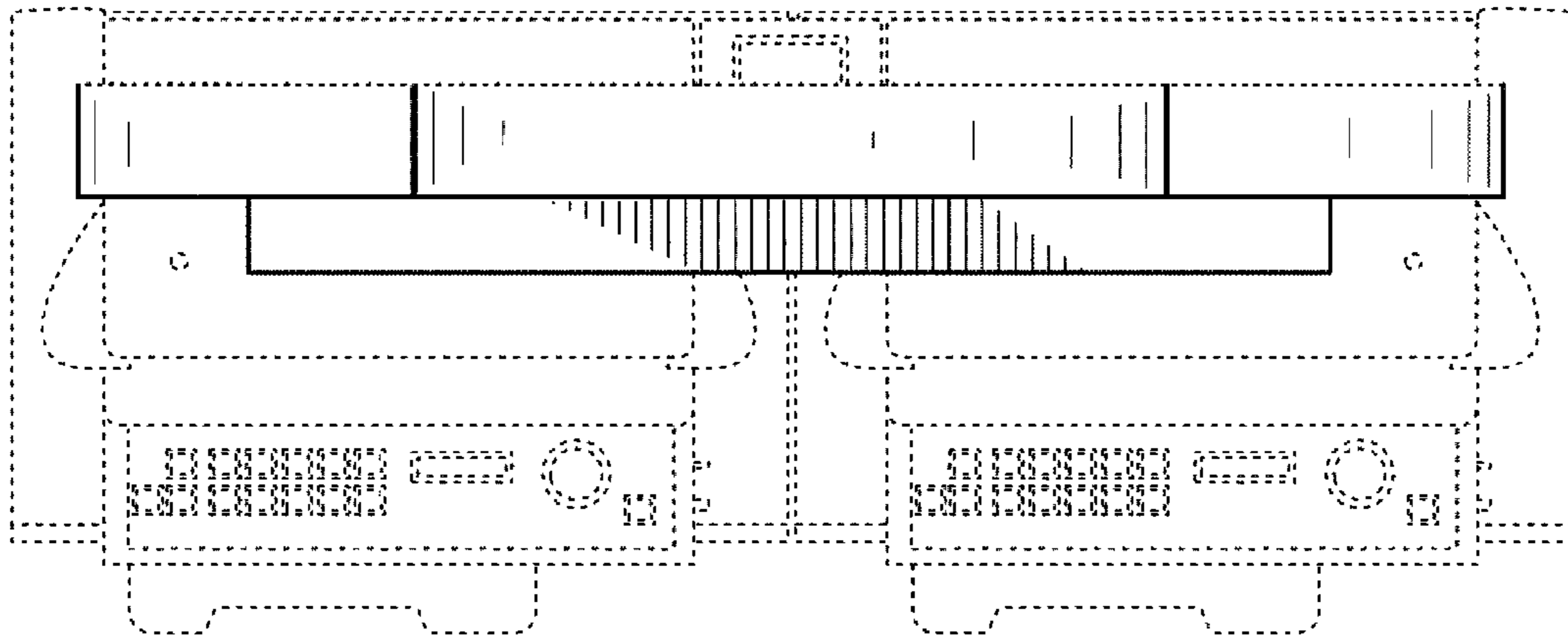


FIG. 4

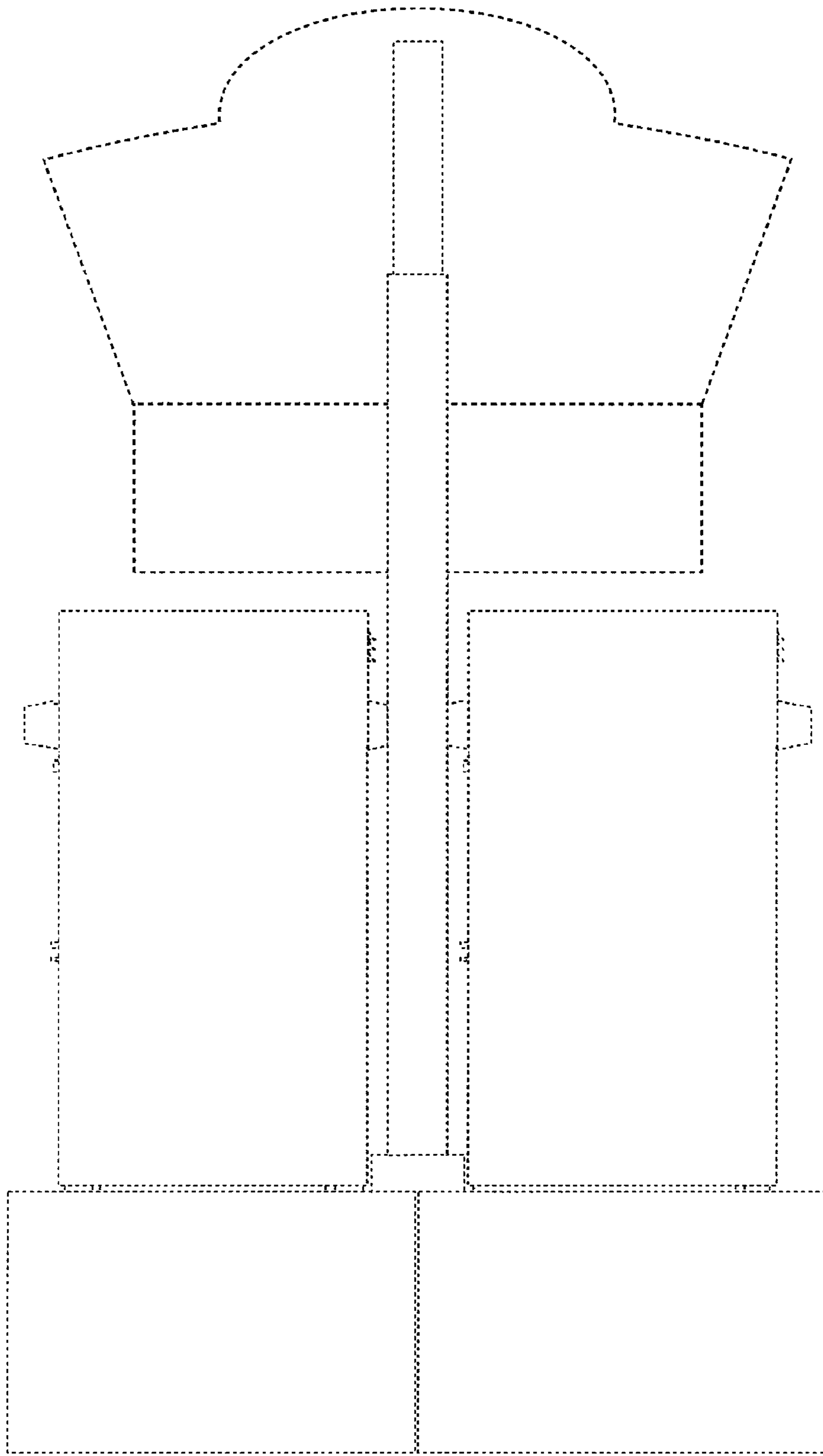


FIG. 5