



US00D627400S

(12) **United States Design Patent**
Suetake et al.

(10) **Patent No.:** **US D627,400 S**

(45) **Date of Patent:** **** Nov. 16, 2010**

(54) **SOUND PROCESSOR UNIT**

(75) Inventors: **Fumiyoshi Suetake**, Kyoto (JP); **Shinji Yamamoto**, Kyoto (JP); **Yuji Hori**, Kyoto (JP)

(73) Assignee: **Nintendo Co., Ltd.**, Kyoto (JP)

(**) Term: **14 Years**

(21) Appl. No.: **29/341,028**

(22) Filed: **Jul. 29, 2009**

Related U.S. Application Data

(62) Division of application No. 29/330,357, filed on Jan. 6, 2009, now Pat. No. Des. 607,881.

(30) **Foreign Application Priority Data**

Jul. 7, 2008 (JP) 2008-017374
Jul. 7, 2008 (JP) 2008-017375

(51) **LOC (9) Cl.** **21-01**

(52) **U.S. Cl.** **D21/332**

(58) **Field of Classification Search** D21/332,
D21/333, 324; 273/148 B; 463/43-47, 29-35;
D14/496, 483, 475; 345/156-169
See application file for complete search history.

(56) **References Cited**

U.S. PATENT DOCUMENTS

5,192,082 A * 3/1993 Inoue et al. 463/44
D393,884 S * 4/1998 Hayami D21/332
D412,940 S * 8/1999 Kato et al. D21/324

6,055,606 A * 4/2000 Sharma 711/131
6,238,291 B1 * 5/2001 Fujimoto et al. 463/44
6,392,613 B1 * 5/2002 Goto 345/30
6,540,611 B1 * 4/2003 Nagata 463/31
6,565,494 B1 * 5/2003 Chen 482/124
7,090,582 B2 * 8/2006 Danieli et al. 463/35
D531,228 S 10/2006 Ashida et al.
D543,206 S * 5/2007 Maruyama et al. D14/435
D543,246 S 5/2007 Ashida et al.
D556,835 S 12/2007 Ashida et al.
D557,680 S * 12/2007 Corsini D14/168
D576,686 S * 9/2008 Ashida et al. D21/332

* cited by examiner

Primary Examiner—Prabhakar Deshmukh

(74) *Attorney, Agent, or Firm*—Nixon & Vanderhye, P.C.

(57) **CLAIM**

The ornamental design for a sound processor unit, as shown and described.

DESCRIPTION

FIG. 1 is a front, top and left perspective view of a sound processor unit of our new design;

FIG. 2 is a rear, bottom and right perspective view thereof;

FIG. 3 is a front view thereof;

FIG. 4 is a rear view thereof;

FIG. 5 is a left side view thereof;

FIG. 6 is a right side view thereof;

FIG. 7 is a top plan view thereof; and,

FIG. 8 is a bottom plan view thereof.

1 Claim, 3 Drawing Sheets

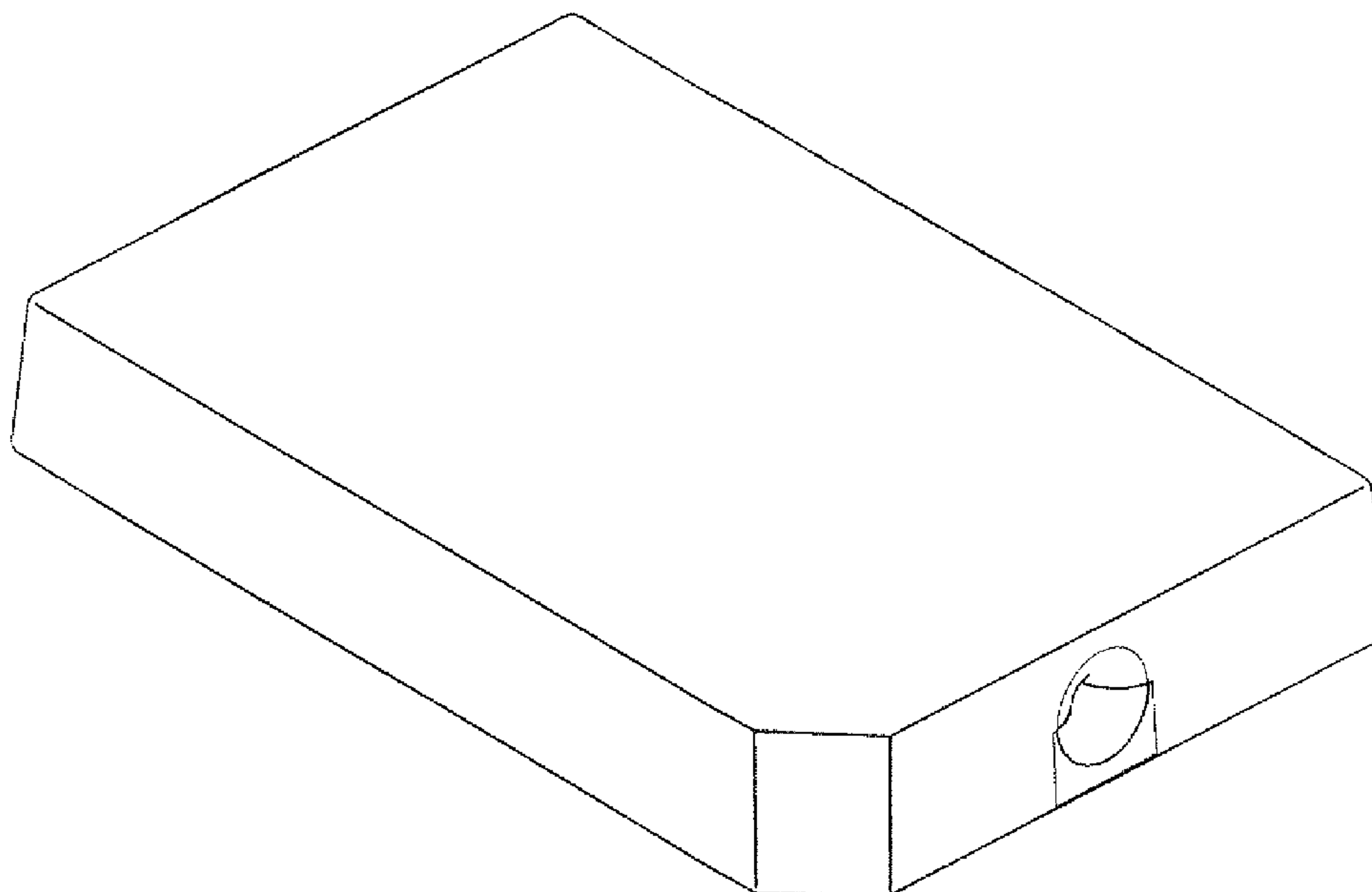


FIG. 1

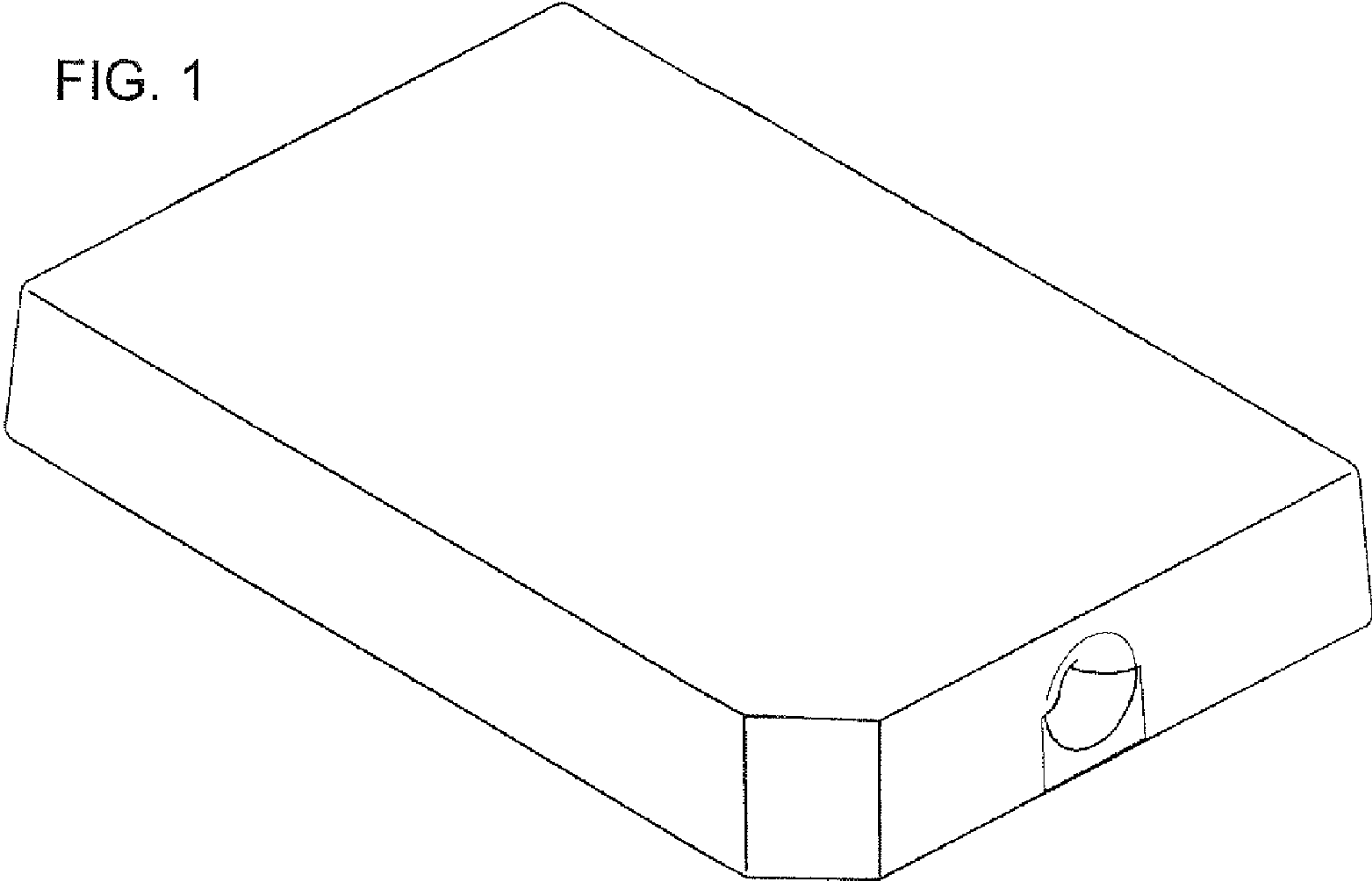
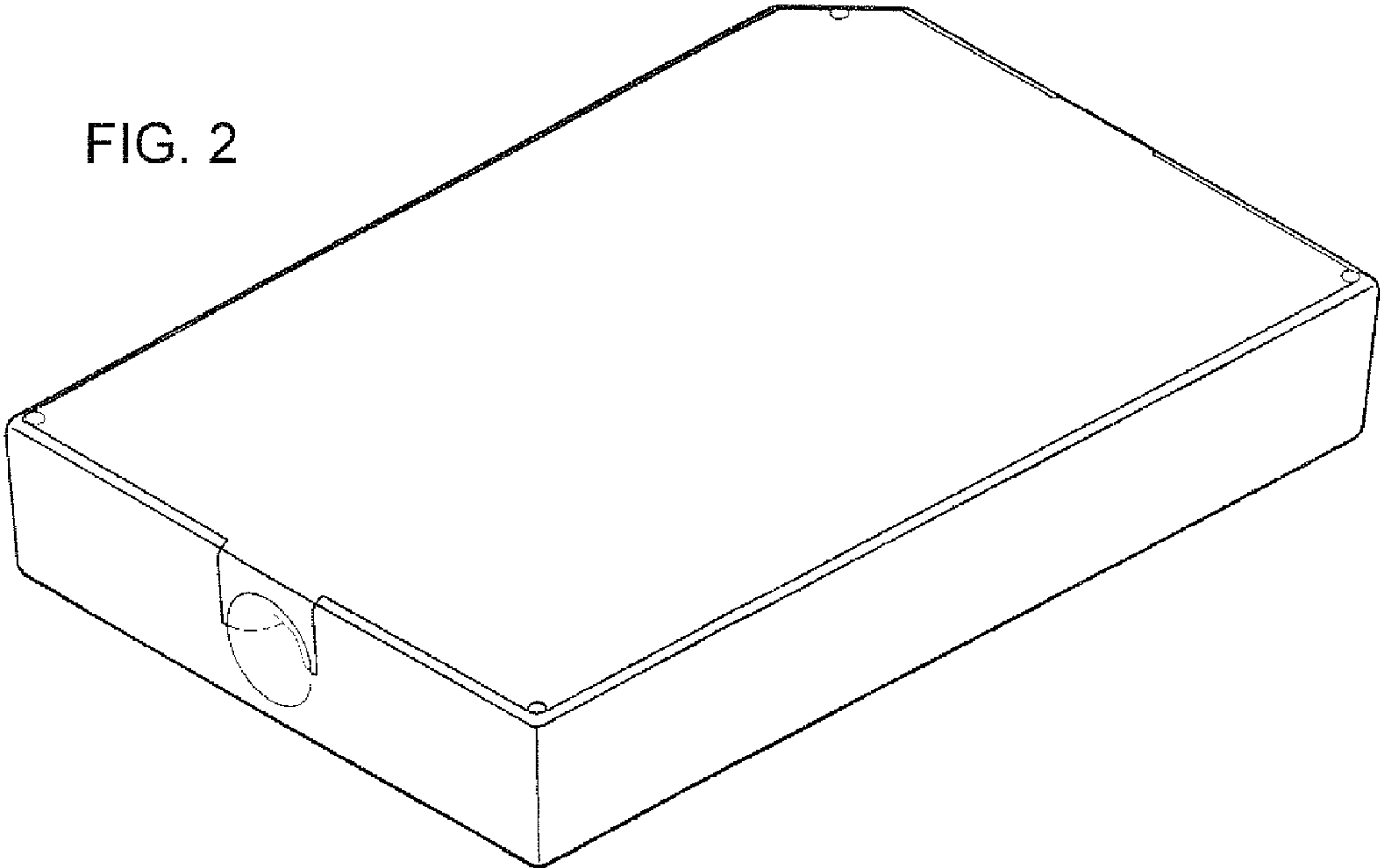


FIG. 2



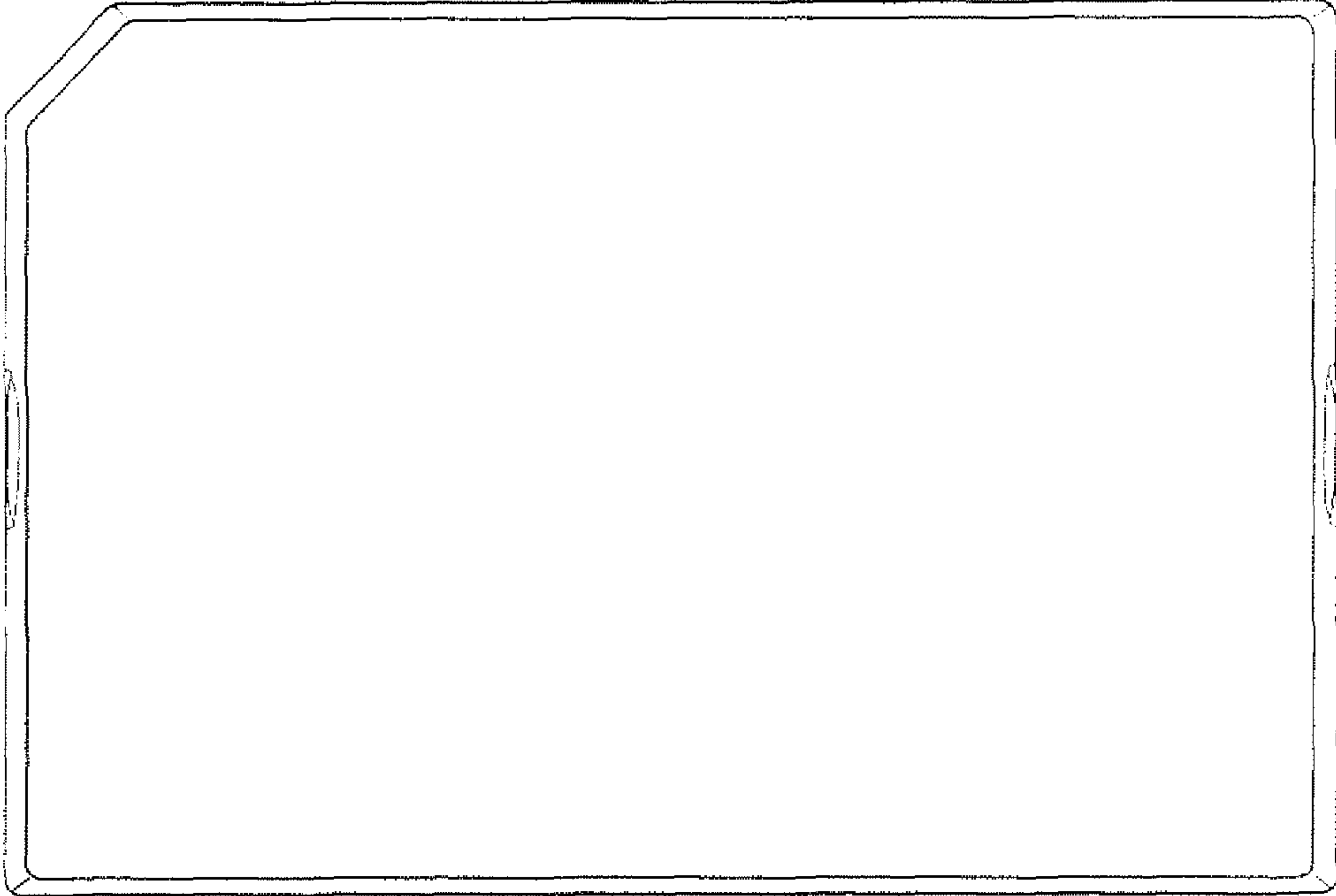


FIG. 3

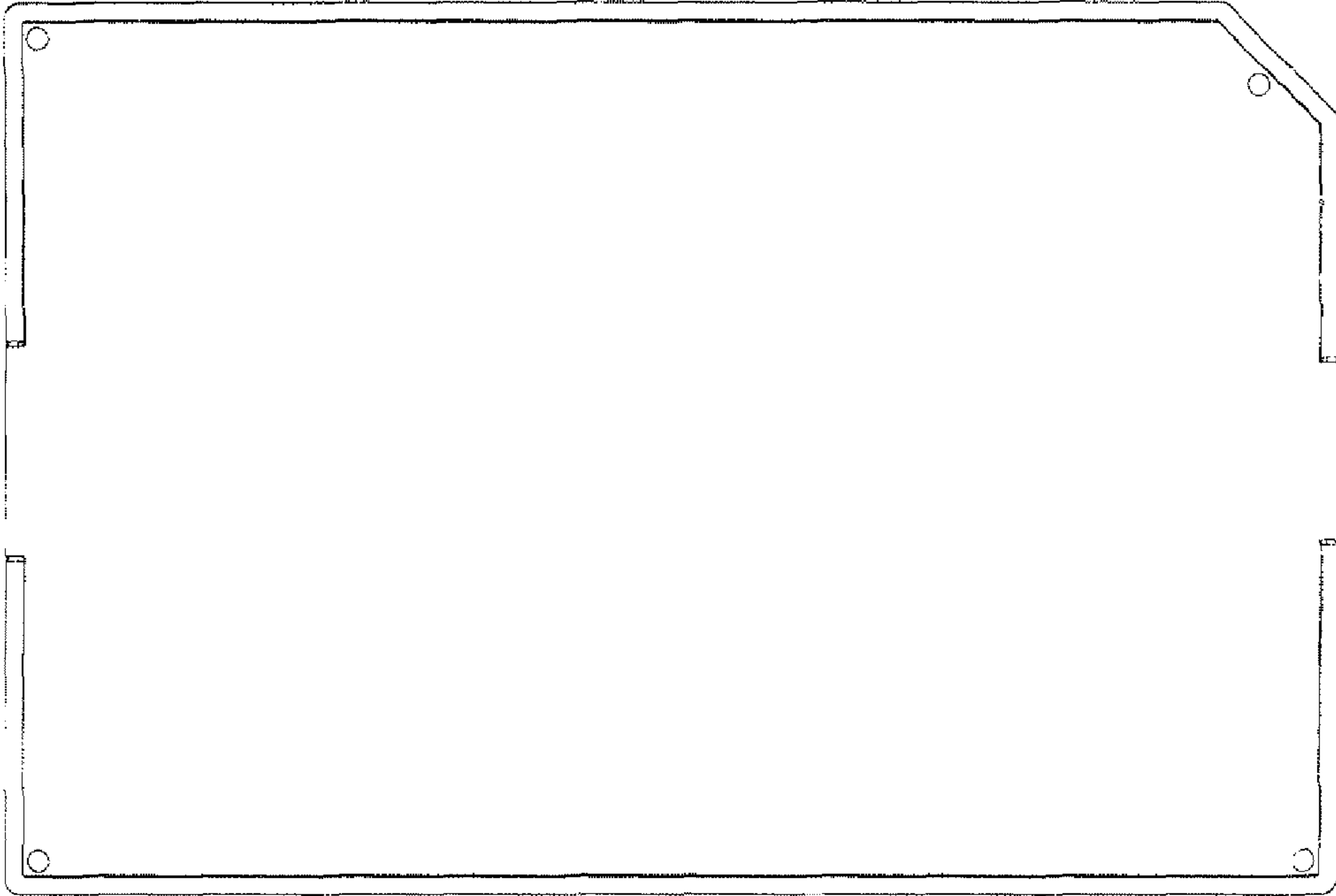


FIG. 4

FIG. 5

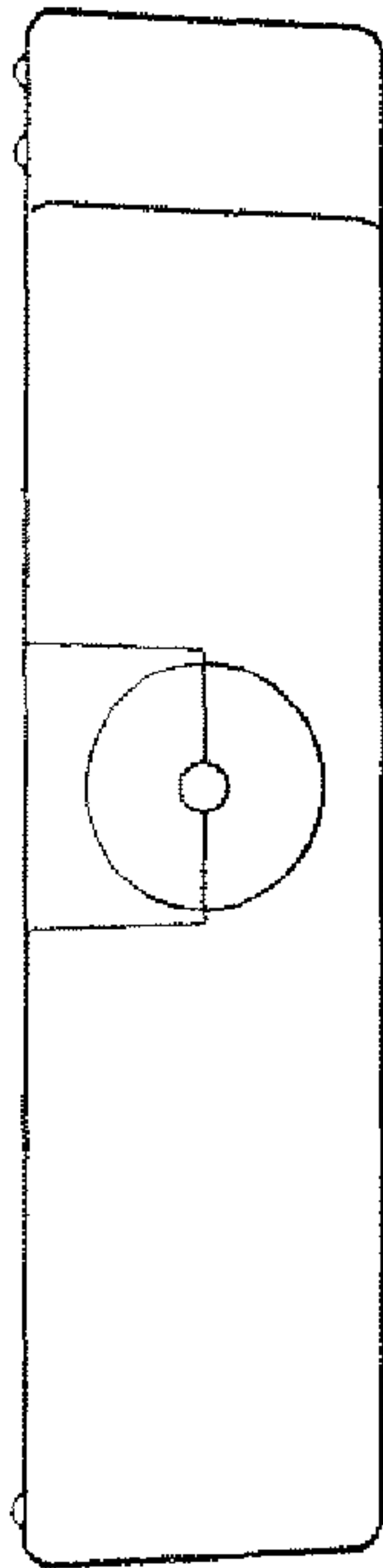


FIG. 6

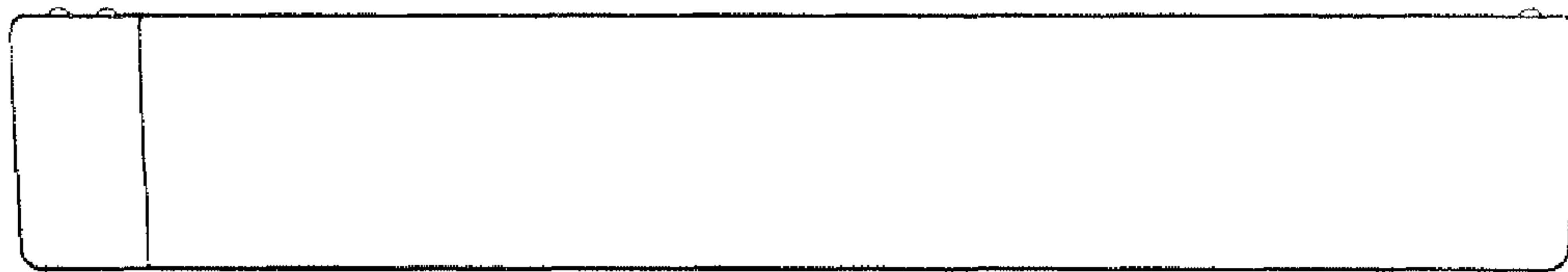
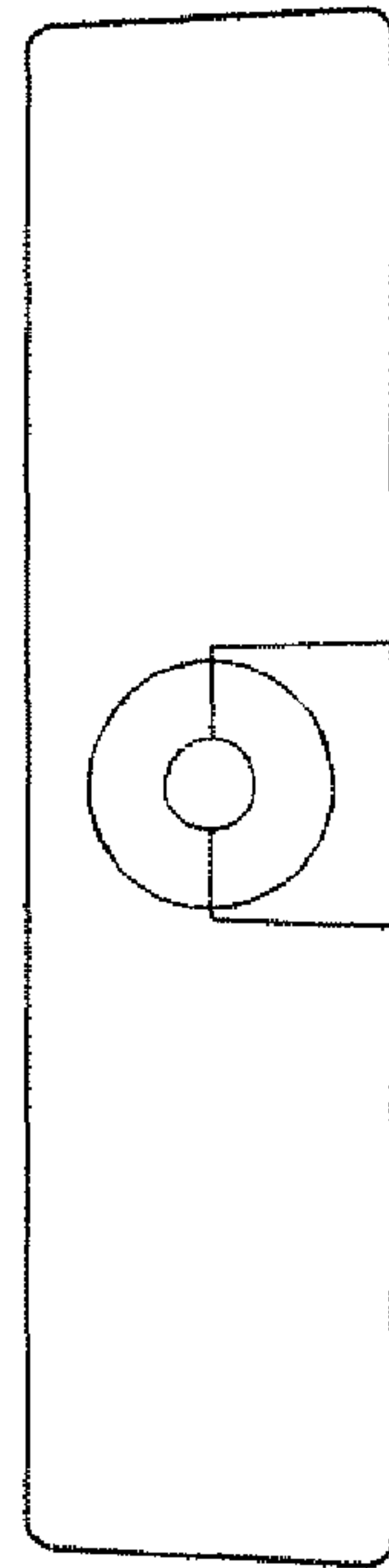


FIG. 7

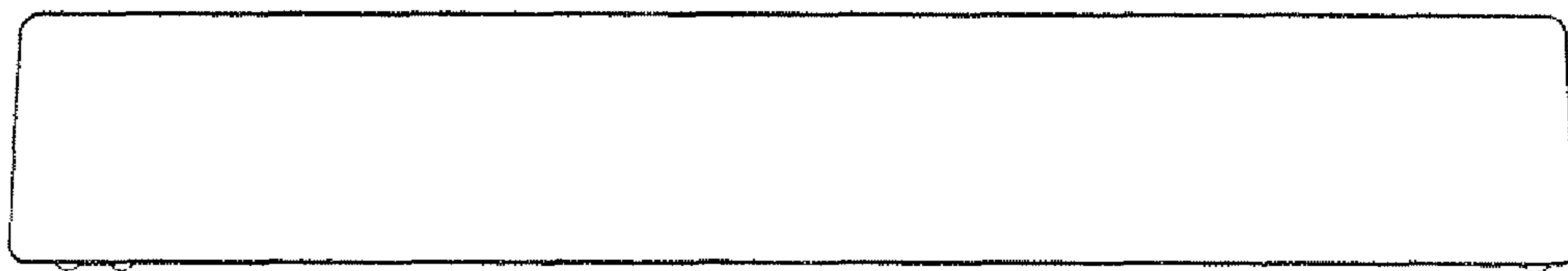


FIG. 8