



US00D627399S

(12) **United States Design Patent**
Isetani et al.

(10) **Patent No.:** **US D627,399 S**

(45) **Date of Patent:** **** Nov. 16, 2010**

(54) **GAME MACHINE**

(75) Inventors: **Yoshitsugu Isetani**, Tokyo (JP);
Takayuki Sako, Tokyo (JP)

(73) Assignee: **Konami Digital Entertainment Co., Ltd.**, Tokyo (JP)

(**) Term: **14 Years**

(21) Appl. No.: **29/348,736**

(22) Filed: **Feb. 2, 2010**

(30) **Foreign Application Priority Data**

Aug. 6, 2009 (JP) D2009-018086

(51) **LOC (9) Cl.** **21-01**

(52) **U.S. Cl.** **D21/325**

(58) **Field of Classification Search** D21/324-330,
D21/369-375, 333; 273/148 B, 148 A, 138.1,
273/139, 138.2, 148 R; 463/1, 7, 35-42,
463/46, 47; 345/905, 156

See application file for complete search history.

(56) **References Cited**

U.S. PATENT DOCUMENTS

4,643,421 A * 2/1987 Meyer et al. 463/1
D421,774 S * 3/2000 Toriyama D21/325
6,461,239 B1 * 10/2002 Sagawa et al. 463/7

6,568,707 B2 * 5/2003 Hier et al. 280/732
6,645,067 B1 * 11/2003 Okita et al. 463/7
D546,893 S * 7/2007 Yamashita D21/325
D605,232 S * 12/2009 Nagamatsu D21/325
D614,243 S * 4/2010 Inuyama et al. D21/325
D617,389 S * 6/2010 Wildner et al. D21/325
D618,264 S * 6/2010 Chang et al. D16/202

FOREIGN PATENT DOCUMENTS

JP 1068328 1/2000

* cited by examiner

Primary Examiner—Prabhakar Deshmukh

(74) *Attorney, Agent, or Firm*—Jordan and Hamburg LLP

(57) **CLAIM**

The ornamental design for a game machine, as shown and described.

DESCRIPTION

FIG. 1 is a perspective view of a game machine;

FIG. 2 is a front view thereof;

FIG. 3 is a rear view thereof;

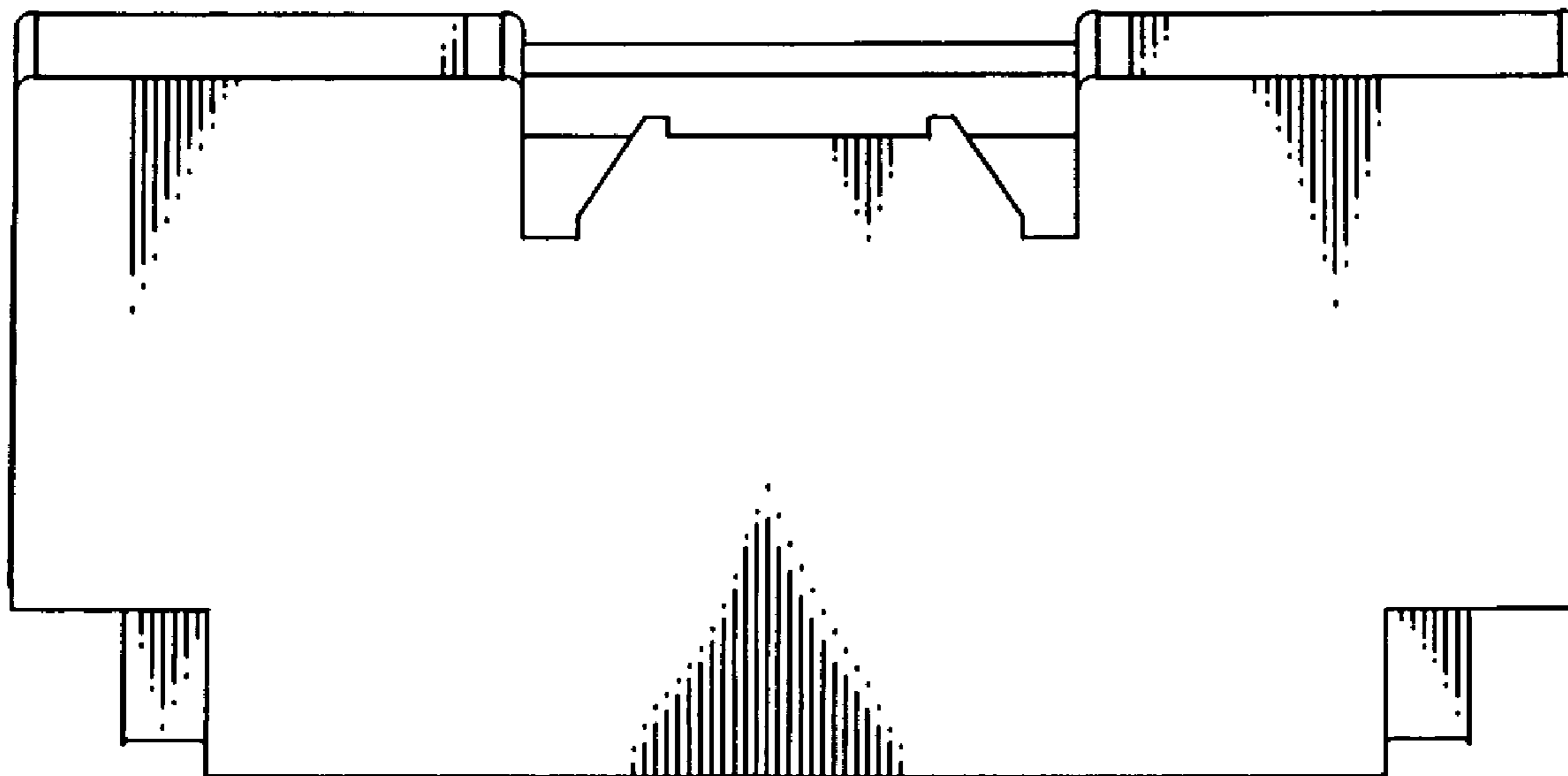
FIG. 4 is a left side view thereof;

FIG. 5 is a right side view thereof;

FIG. 6 is a top view thereof; and,

FIG. 7 is a bottom view thereof.

1 Claim, 7 Drawing Sheets



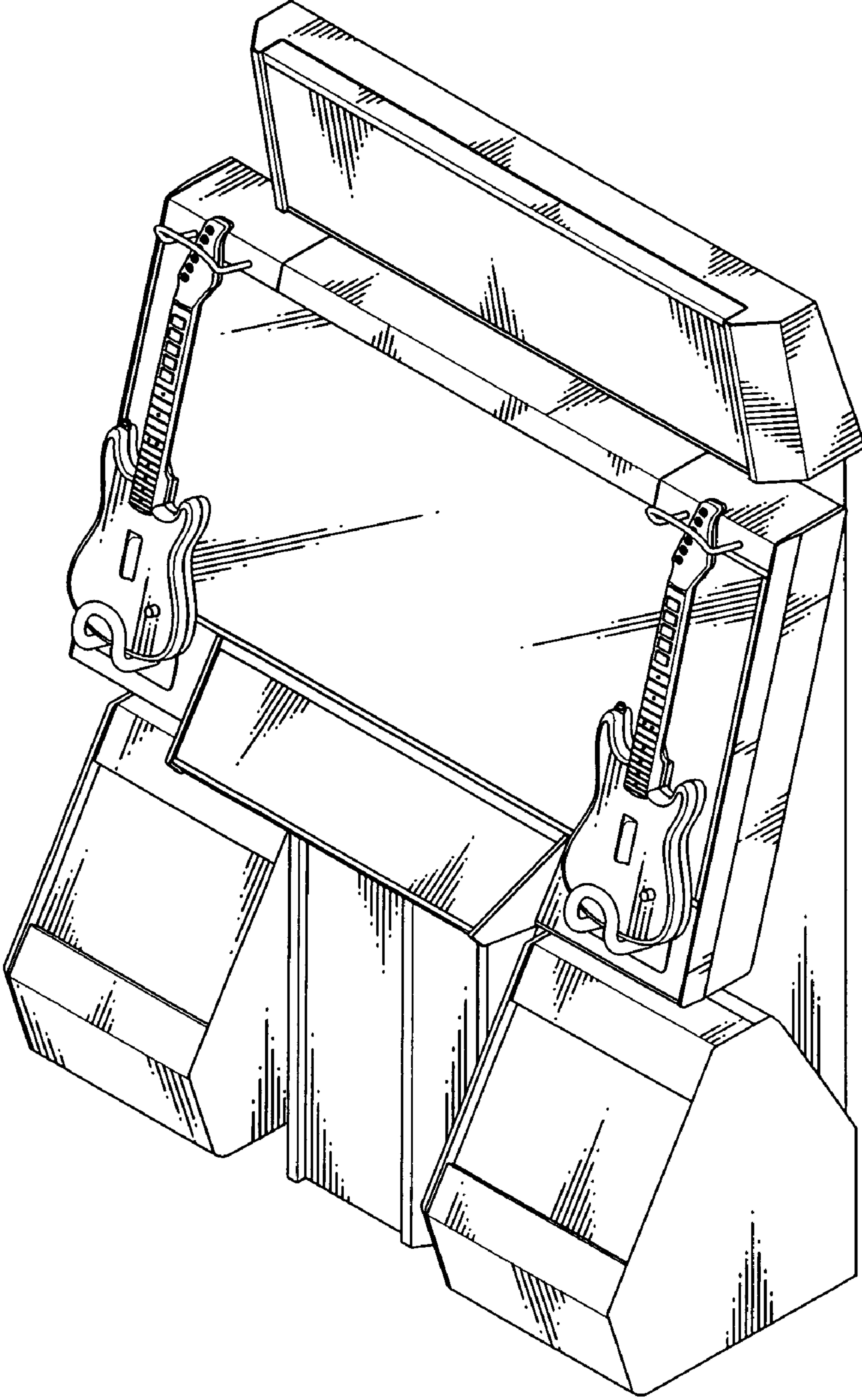


FIG. 1

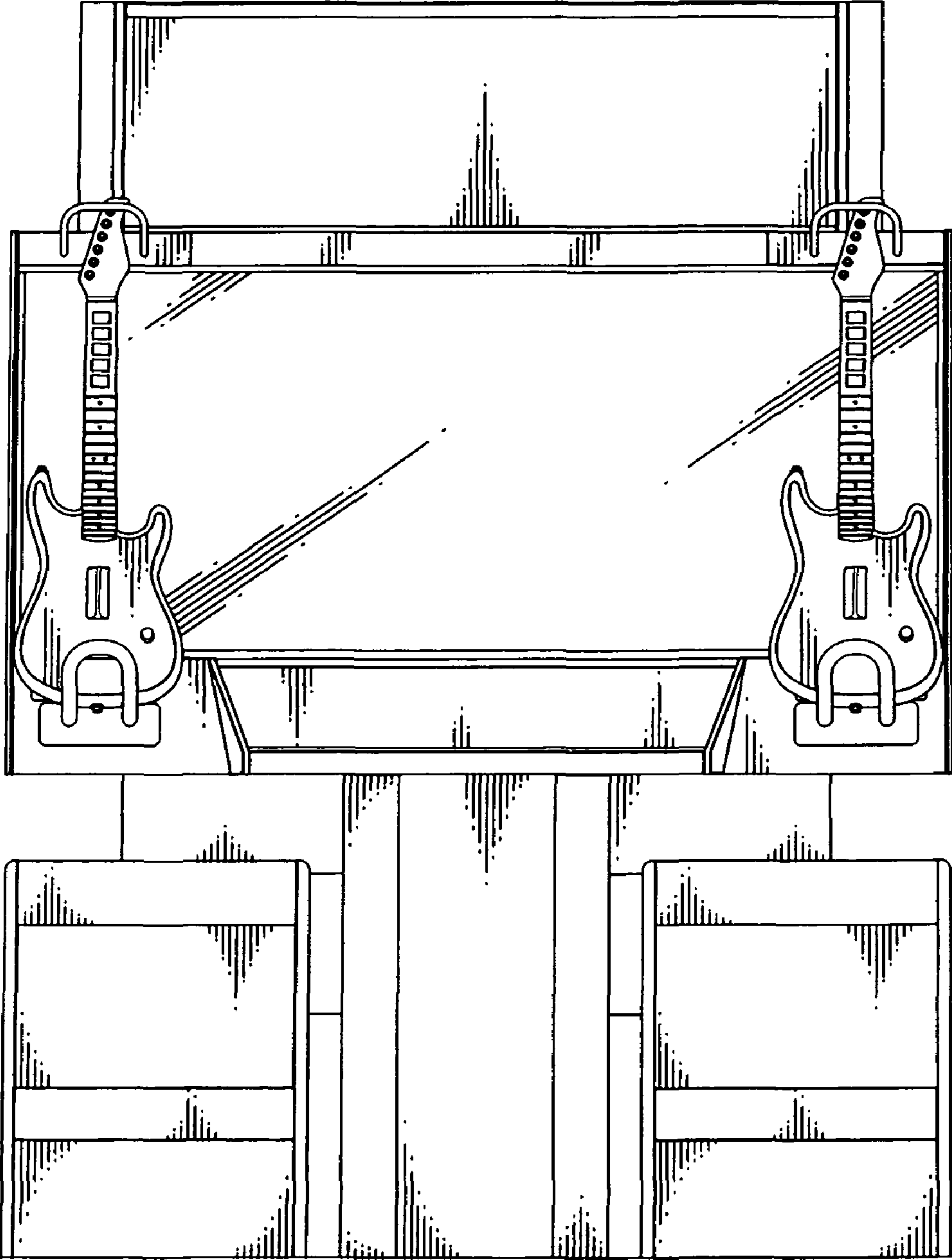


FIG.2

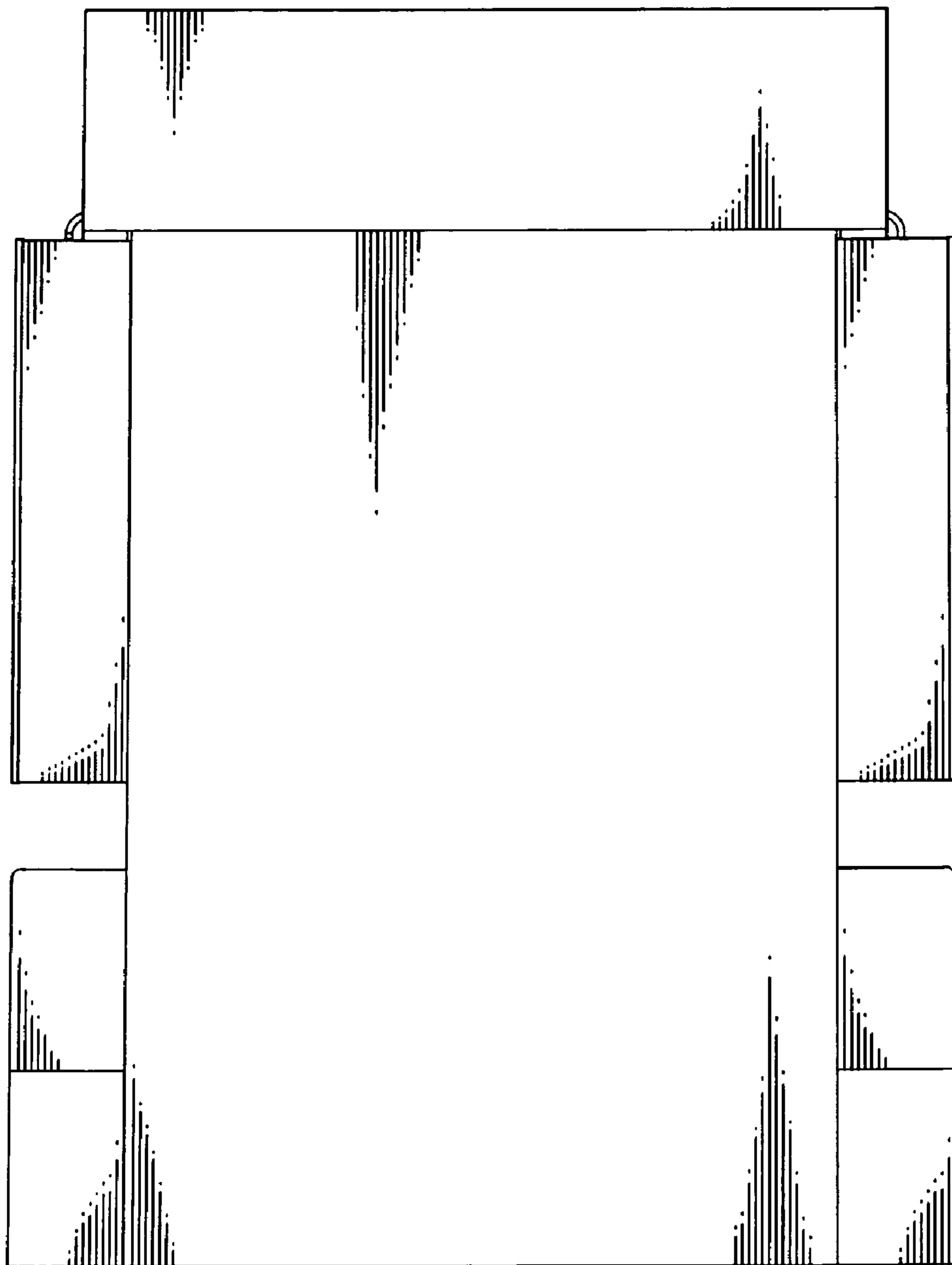


FIG.3

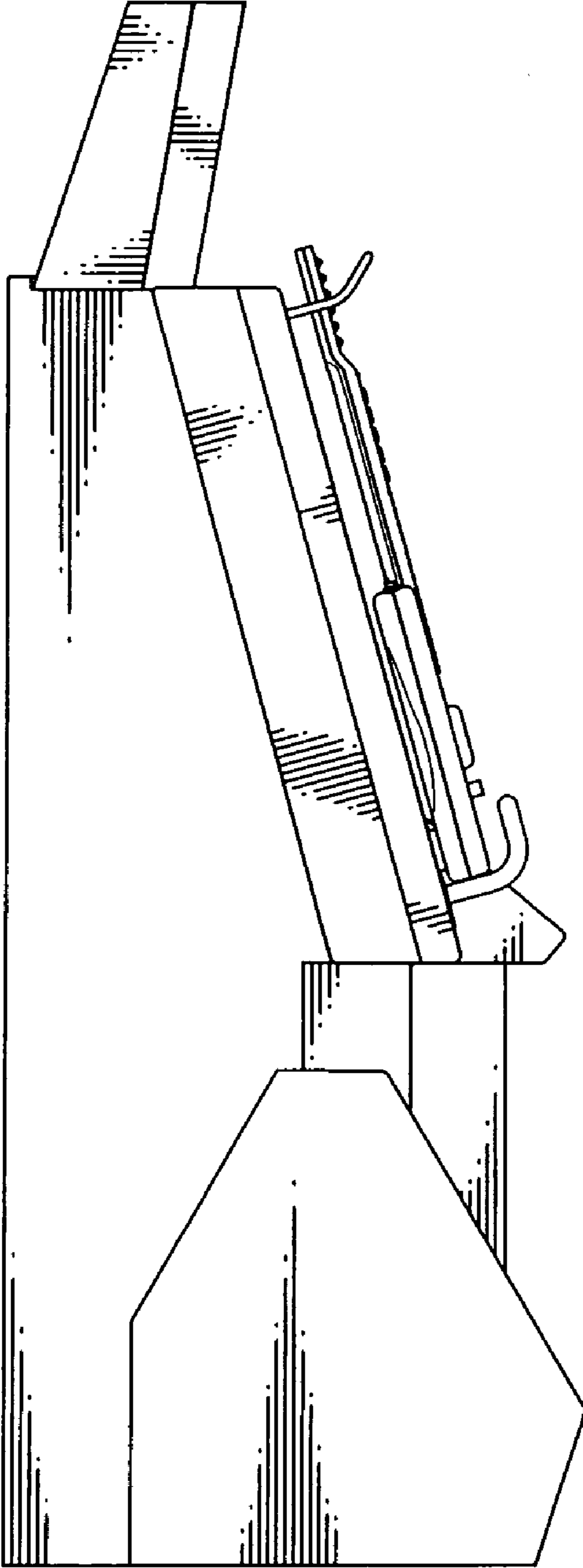


FIG.4

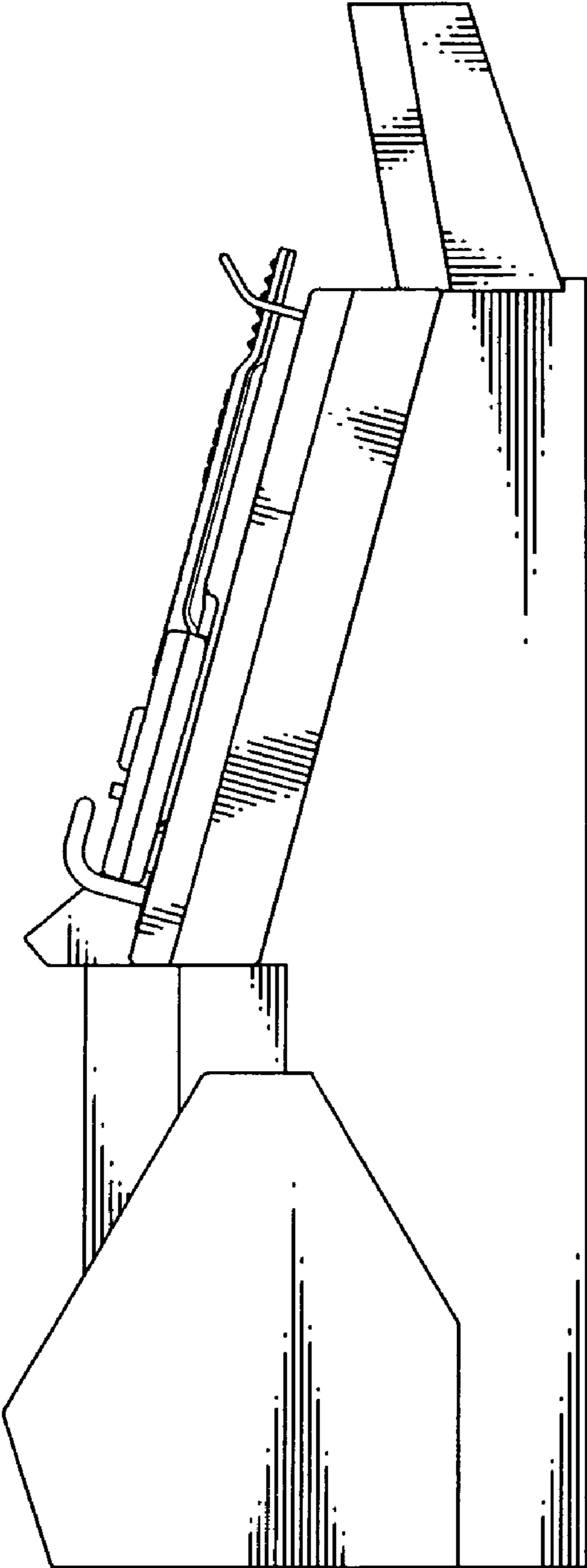


FIG.5

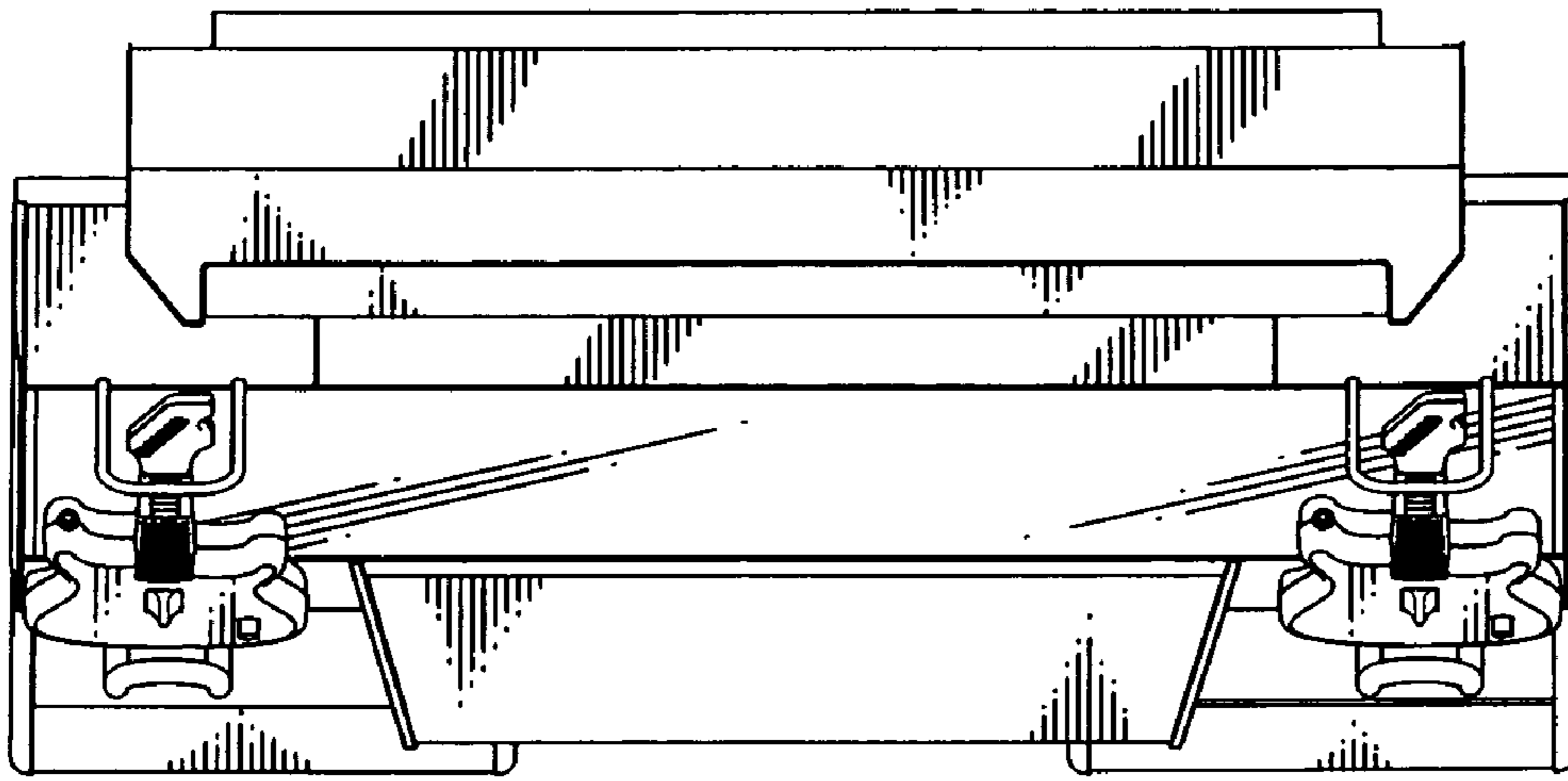


FIG.6

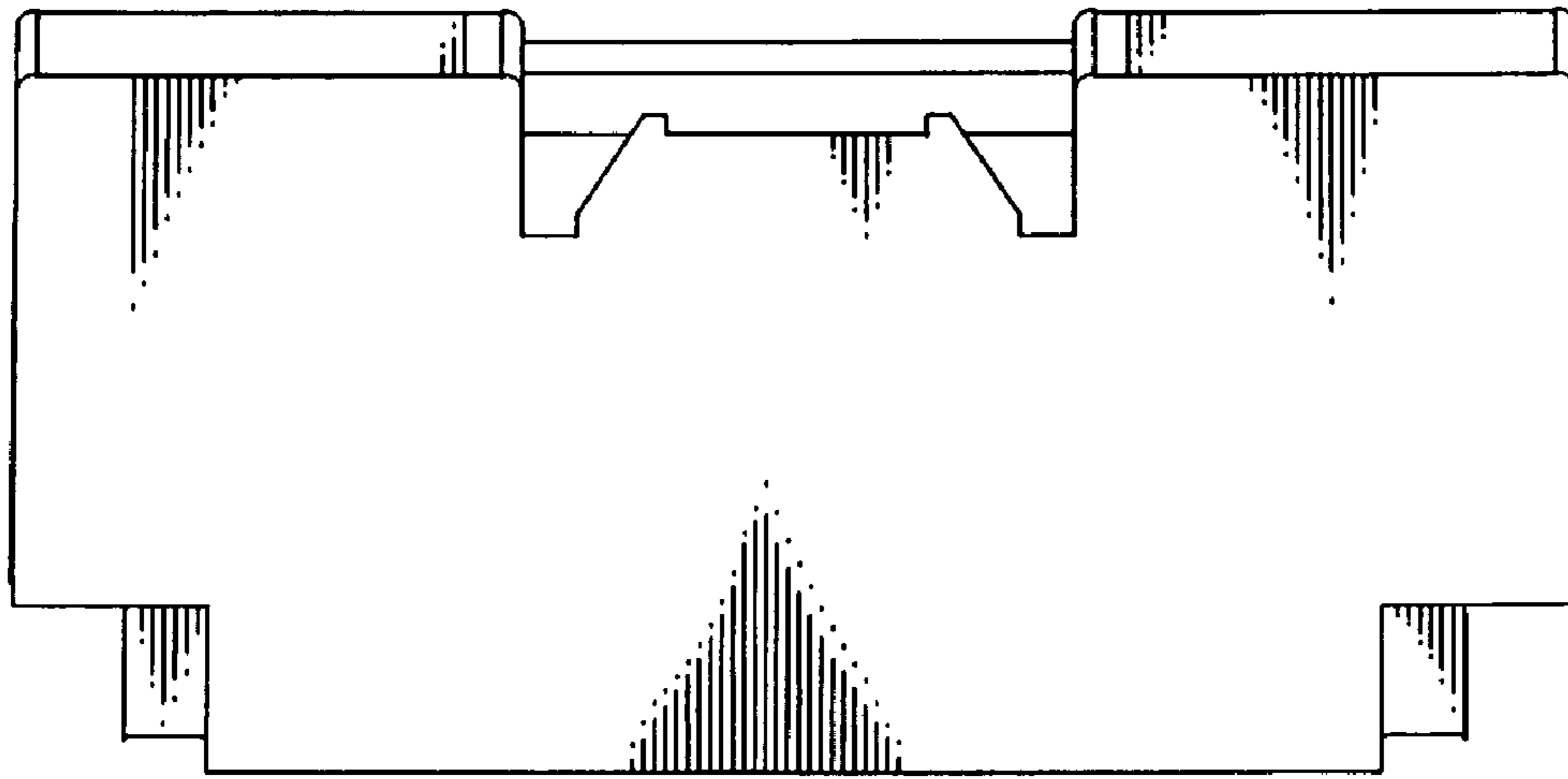


FIG.7