



US00D627394S

(12) **United States Design Patent**
Nakayama et al.

(10) **Patent No.:** **US D627,394 S**
(45) **Date of Patent:** **** Nov. 16, 2010**

(54) **WHITEBOARD**

(75) Inventors: **Azumi Nakayama**, Tokyo (JP); **Koji Makita**, Tokyo (JP)

(73) Assignee: **Plus Corporation**, Tokyo (JP)

(**) Term: **14 Years**

(21) Appl. No.: **29/352,876**

(22) Filed: **Dec. 29, 2009**

(30) **Foreign Application Priority Data**

Jun. 30, 2009 (JP) 2009-014810

(51) **LOC (9) Cl.** **19-06**

(52) **U.S. Cl.** **D19/52**

(58) **Field of Classification Search** D6/300–314,
D6/332; D7/698, 699; D14/336, 371, 448;
D19/52, 88; D20/10, 19, 39, 40, 41, 42;
40/358, 541, 584, 611.01; 434/408, 409,
434/415, 421, 422, 425

See application file for complete search history.

(56) **References Cited**

U.S. PATENT DOCUMENTS

D110,590	S	*	7/1938	Sperry	D20/42
D165,038	S	*	10/1951	Windhorst	D19/52
2,950,015	A	*	8/1960	Pataky	211/182
3,034,230	A	*	5/1962	Windram	434/408
3,363,341	A	*	1/1968	Glassman	434/417
3,899,164	A	*	8/1975	Newman	269/71
4,127,196	A	*	11/1978	Boucher	211/207
4,437,839	A	*	3/1984	Stempel	434/417
D300,149	S	*	3/1989	Yamada et al.	D18/36
D302,986	S	*	8/1989	Takai et al.	D18/36
D310,389	S	*	9/1990	Trewarn	D20/41
D353,926	S	*	12/1994	Aguilar et al.	D34/21
5,529,501	A	*	6/1996	Maruyama	434/408
5,737,862	A	*	4/1998	Cooper et al.	40/611.03
D396,065	S	*	7/1998	Johnson et al.	D20/41
D400,361	S	*	11/1998	Sobrito	D6/332
D404,208	S	*	1/1999	Beno	D6/312
D413,146	S	*	8/1999	Moore	D19/52

D435,593	S	*	12/2000	Hellwig et al.	D19/52
D436,128	S	*	1/2001	Keglmaier	D19/52
6,182,740	B1	*	2/2001	Pfaff	160/351
D459,756	S	*	7/2002	Lio et al.	D19/52
D463,493	S	*	9/2002	Beno	D19/52
D467,818	S	*	12/2002	Chan	D10/25
6,622,607	B1	*	9/2003	Miller	89/36.07
D480,428	S	*	10/2003	Robertson, Jr.	D19/90
D481,419	S	*	10/2003	Dixon	D20/39
D491,609	S	*	6/2004	Linko, Sr.	D20/41
D491,610	S	*	6/2004	Linko, Sr.	D20/41
D510,109	S	*	9/2005	Cobb et al.	D20/42
7,036,798	B1	*	5/2006	Olson	256/12.5

(Continued)

Primary Examiner—Elizabeth A Albert
(74) *Attorney, Agent, or Firm*—The Marbury Law Group PLLC

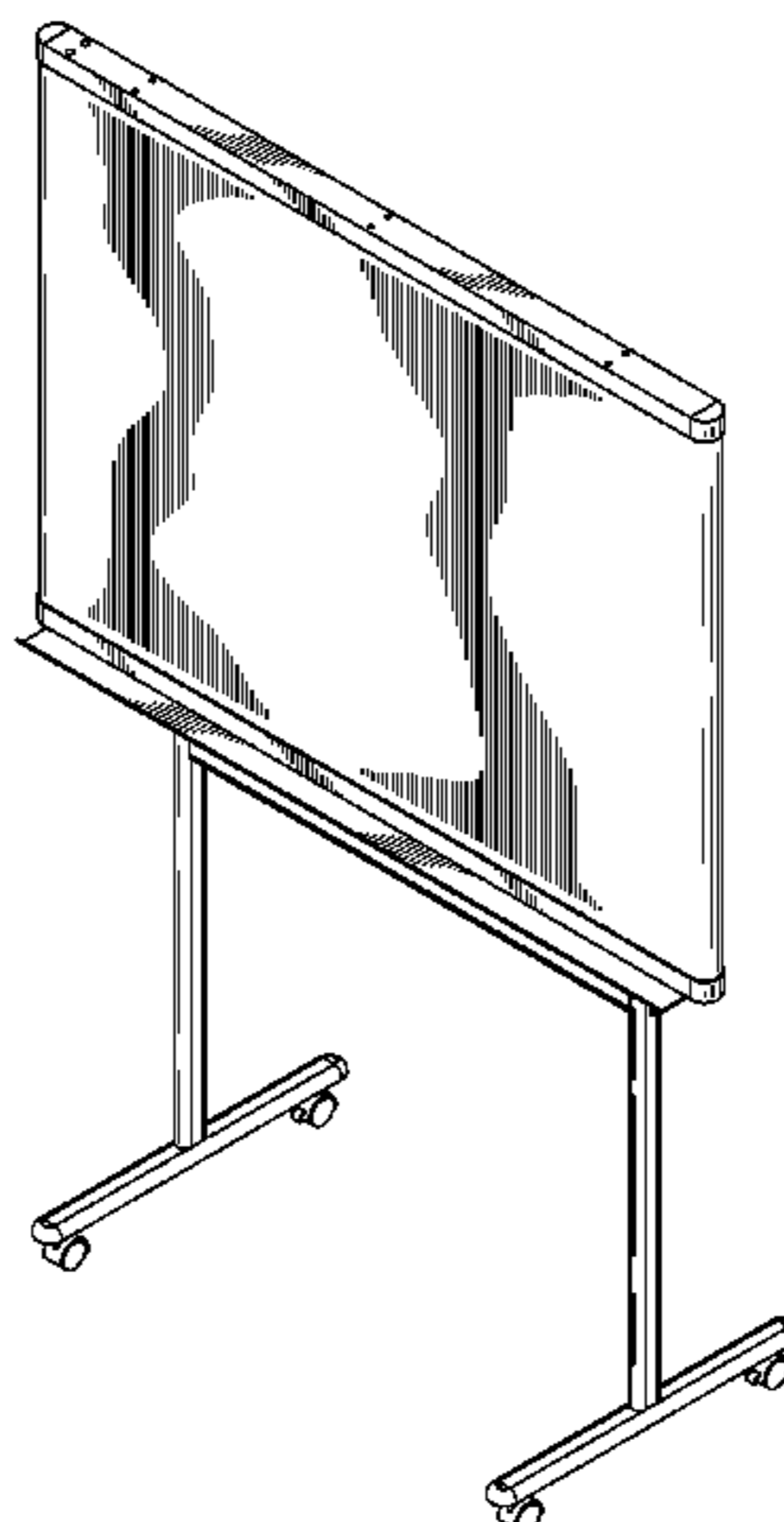
(57) **CLAIM**

The ornamental design for a whiteboard, as shown and described.

DESCRIPTION

FIG. 1 is a front view of the whiteboard design.
FIG. 2 is a rear view of the whiteboard design.
FIG. 3 is a top view of the whiteboard design.
FIG. 4 is a bottom view of the whiteboard design.
FIG. 5 is a right side view of the whiteboard design; the left side view is a mirror image of the right side; and,
FIG. 6 is a front/right side perspective view of the whiteboard.

1 Claim, 5 Drawing Sheets



US D627,394 S

Page 2

U.S. PATENT DOCUMENTS

7,195,491 B1 *	3/2007	Chen	434/408			
D594,510 S *	6/2009	Sappington et al.	D20/10			
							* cited by examiner
					7,632,103 B2 *	12/2009	Williams et al. 434/425
					D608,778 S *	1/2010	Lee et al. D14/336

Fig. 1

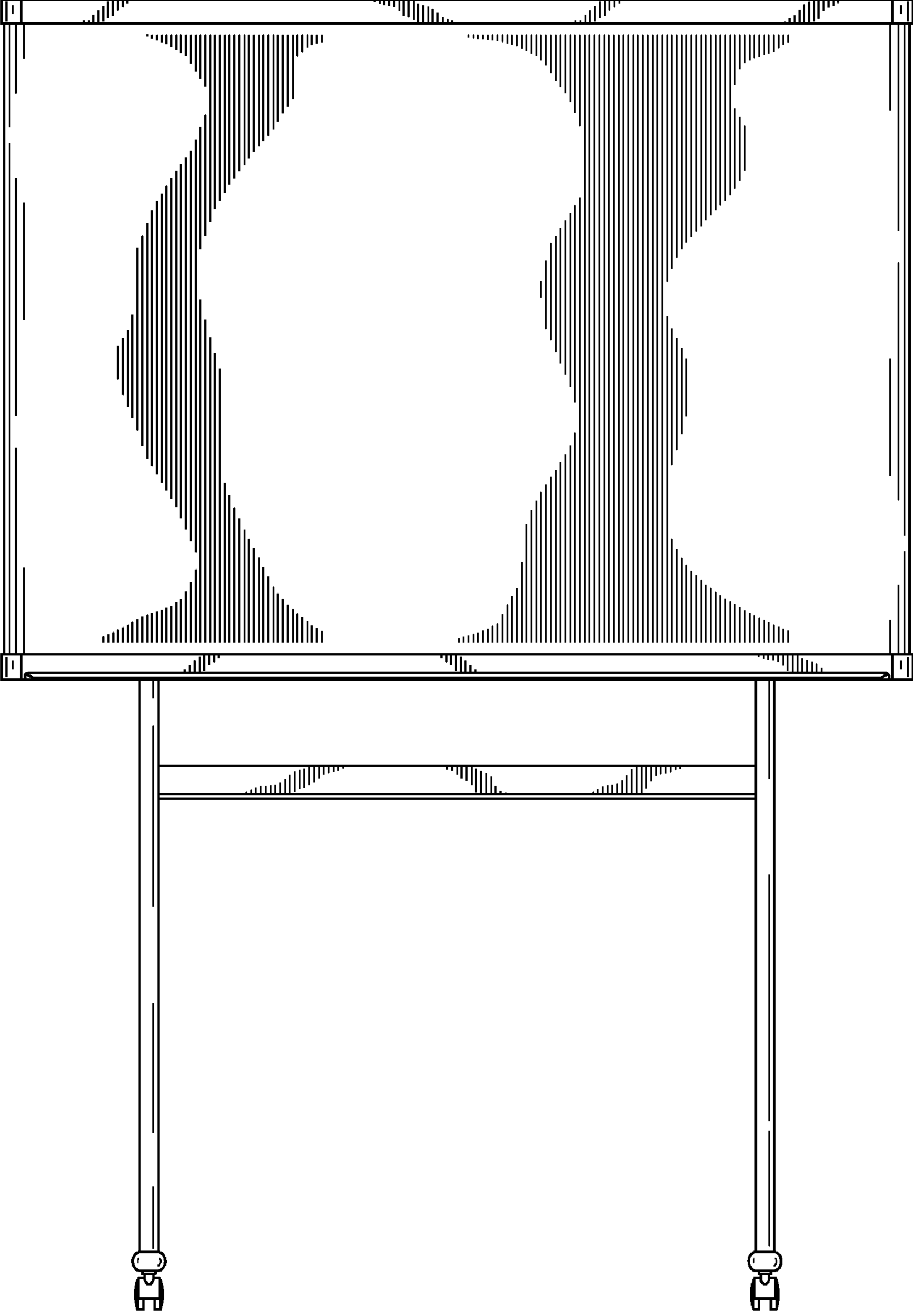


Fig. 2

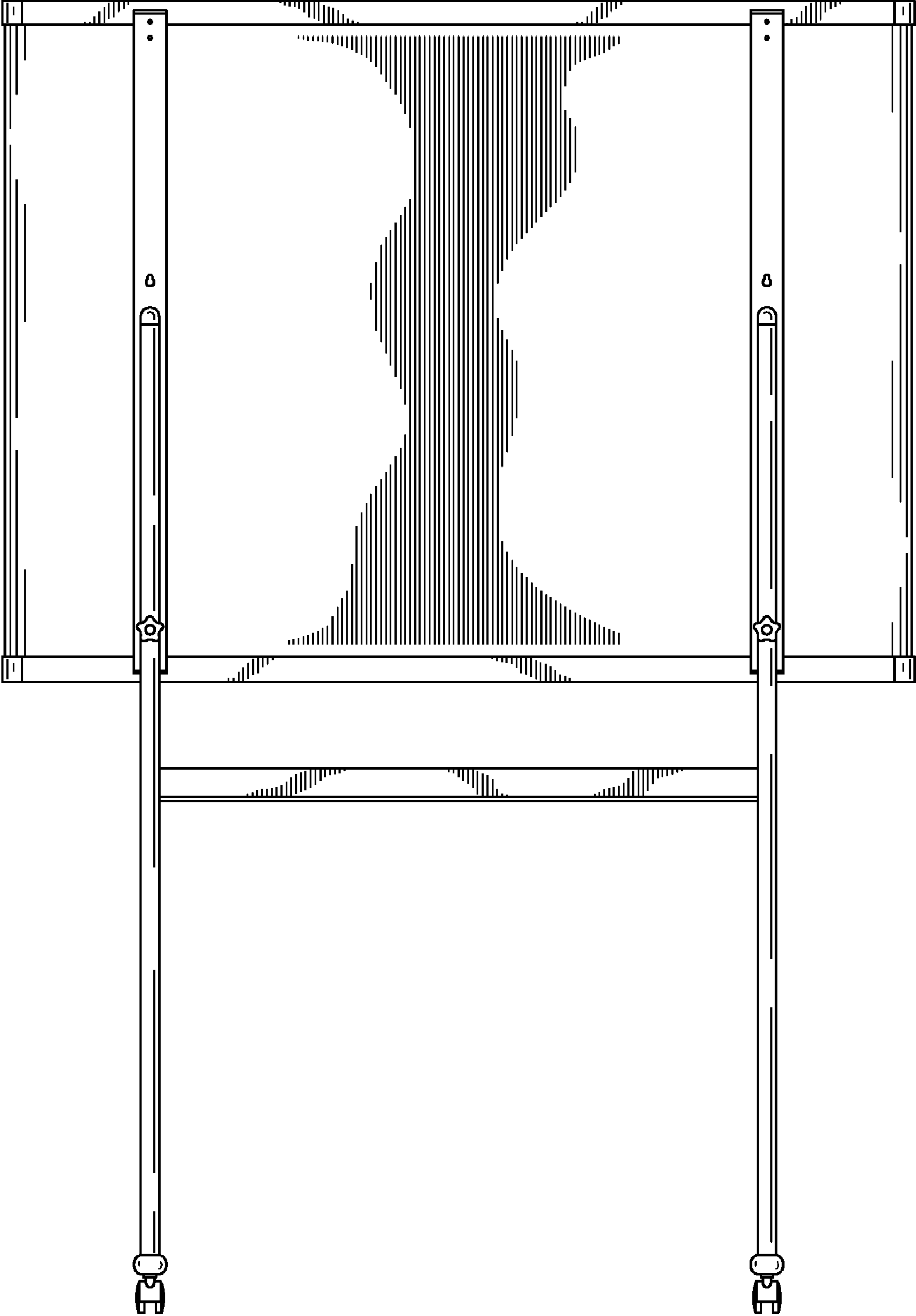


Fig. 3

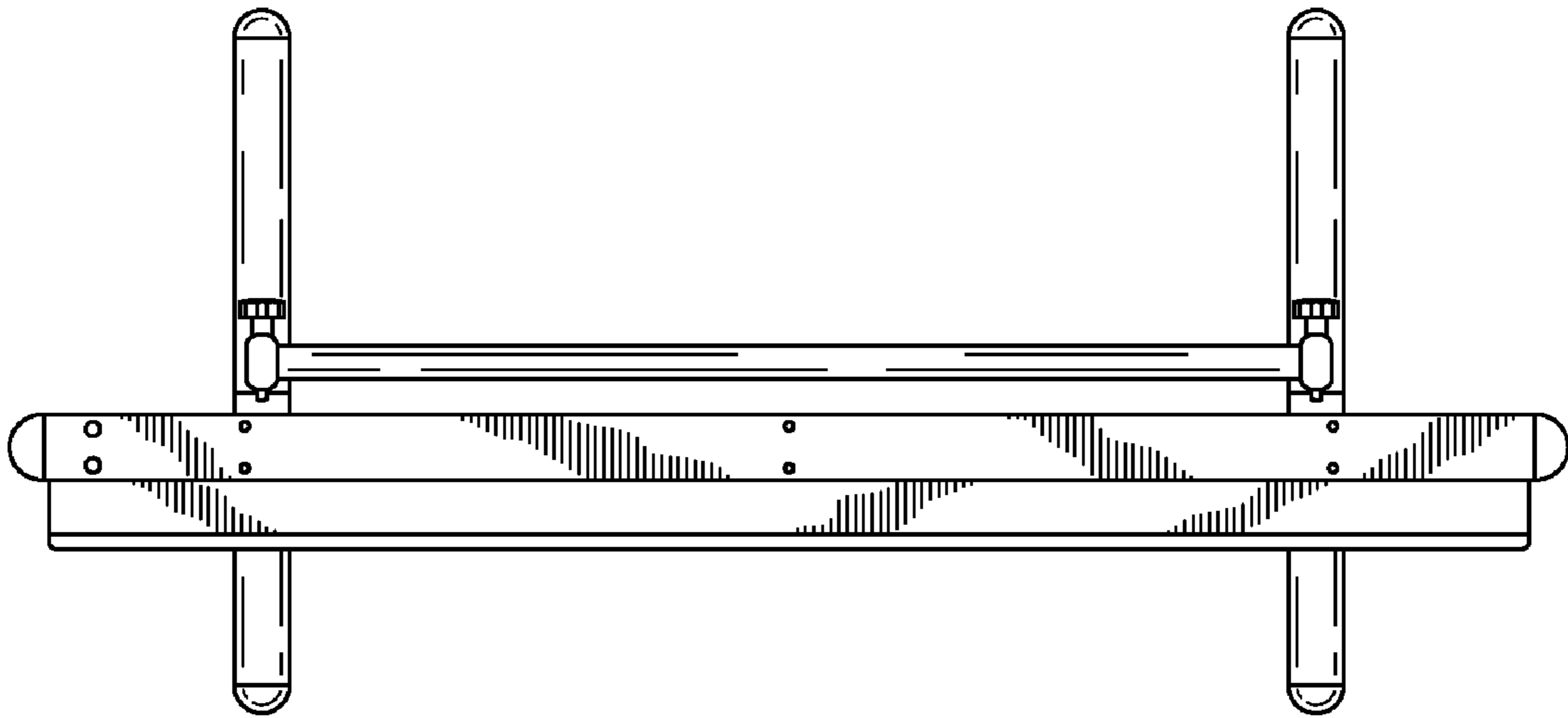


Fig. 4

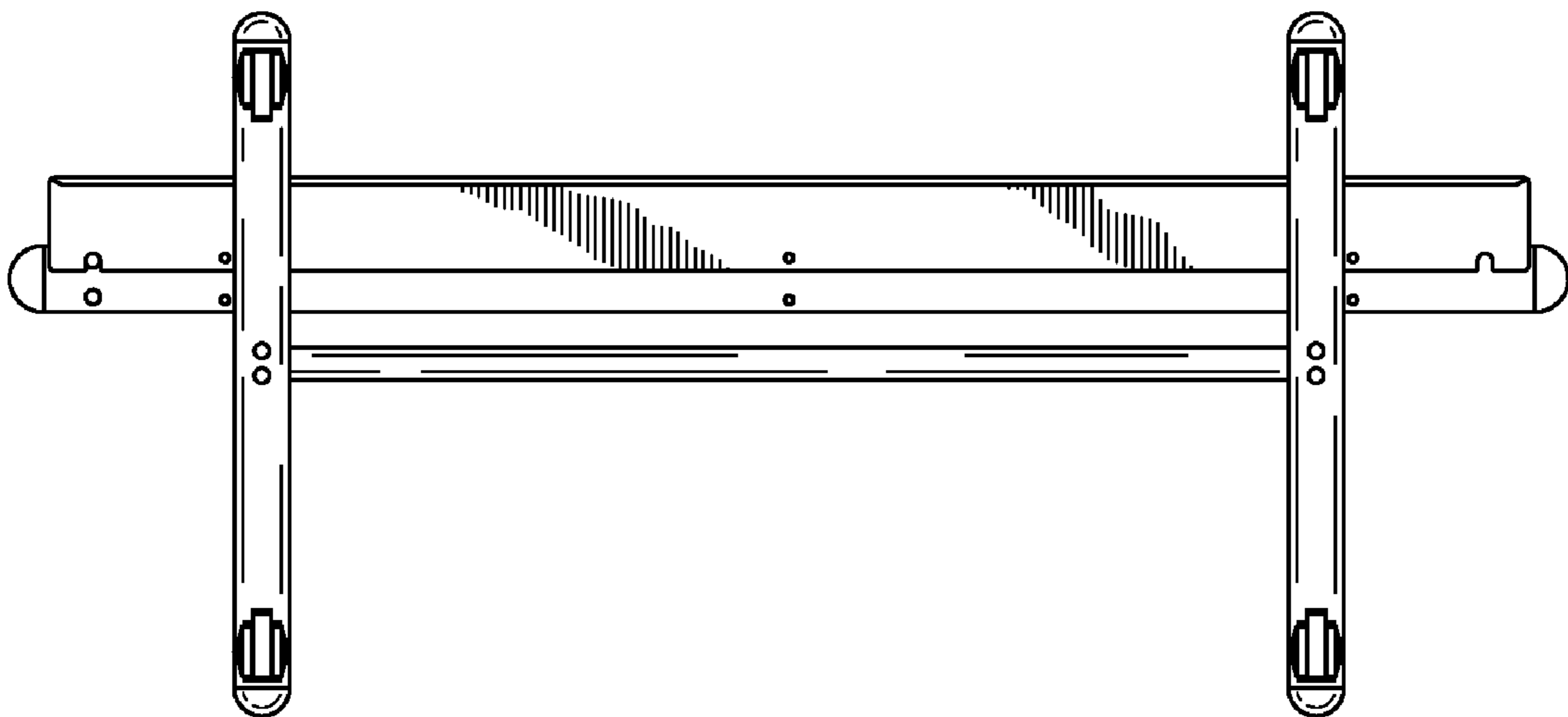


Fig. 5

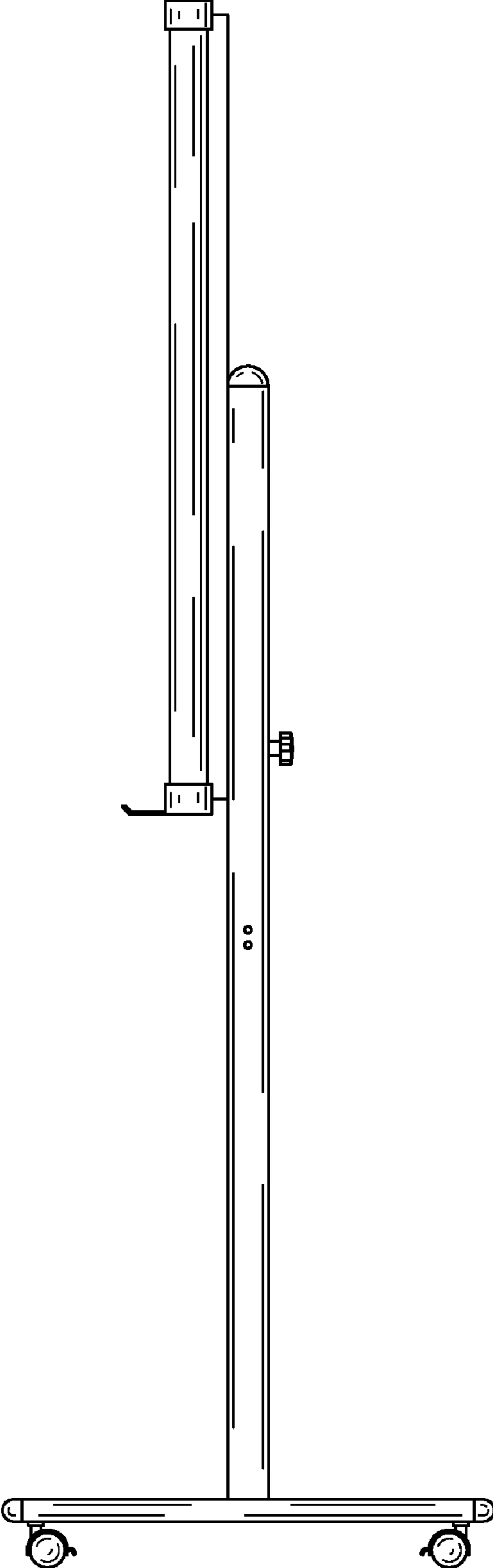


Fig. 6

