



US00D627390S

(12) **United States Design Patent**
Terenzio et al.

(10) **Patent No.:** **US D627,390 S**

(45) **Date of Patent:** **** Nov. 16, 2010**

(54) **PRINTER**

(75) Inventors: **Dennis M. Terenzio**, Boise, ID (US);
Michael V. Leman, Eagle, ID (US)

(73) Assignee: **Hewlett-Packard Development Company, L.P.**, Houston, TX (US)

(**) Term: **14 Years**

(21) Appl. No.: **29/331,537**

(22) Filed: **Jan. 27, 2009**

(51) **LOC (9) Cl.** **14-02**

(52) **U.S. Cl.** **D18/50**

(58) **Field of Classification Search** D18/36-37,
D18/50, 54, 54.1, 55, 19; D14/420-425,
D14/463-470; 600/613, 613.1-613.4, 690.1-690.4,
600/691-694

See application file for complete search history.

(56) **References Cited**

U.S. PATENT DOCUMENTS

D527,045 S *	8/2006	Lim et al.	D18/50
D555,194 S *	11/2007	Smith et al.	D18/55
D561,824 S *	2/2008	Park et al.	D18/55
D573,633 S *	7/2008	Laidlaw et al.	D18/55
D574,886 S *	8/2008	Mase et al.	D18/55
D575,330 S *	8/2008	Egami et al.	D18/55
D576,203 S *	9/2008	Laidlaw et al.	D18/55

D579,490 S *	10/2008	Laidlaw et al.	D18/55
D584,347 S *	1/2009	Hong et al.	D18/55
D586,385 S *	2/2009	Kim et al.	D18/55
D593,149 S *	5/2009	Park et al.	D18/55
D594,508 S *	6/2009	Joe et al.	D18/55
D607,506 S *	1/2010	Kim et al.	D18/55

* cited by examiner

Primary Examiner—Cathy Anne MacCormac

(57) **CLAIM**

We claim the ornamental design for a printer, as shown and described.

DESCRIPTION

FIG. 1 is a front perspective view of a printer;

FIG. 2 is a front view thereof;

FIG. 3 is a rear view thereof;

FIG. 4 is a right view thereof;

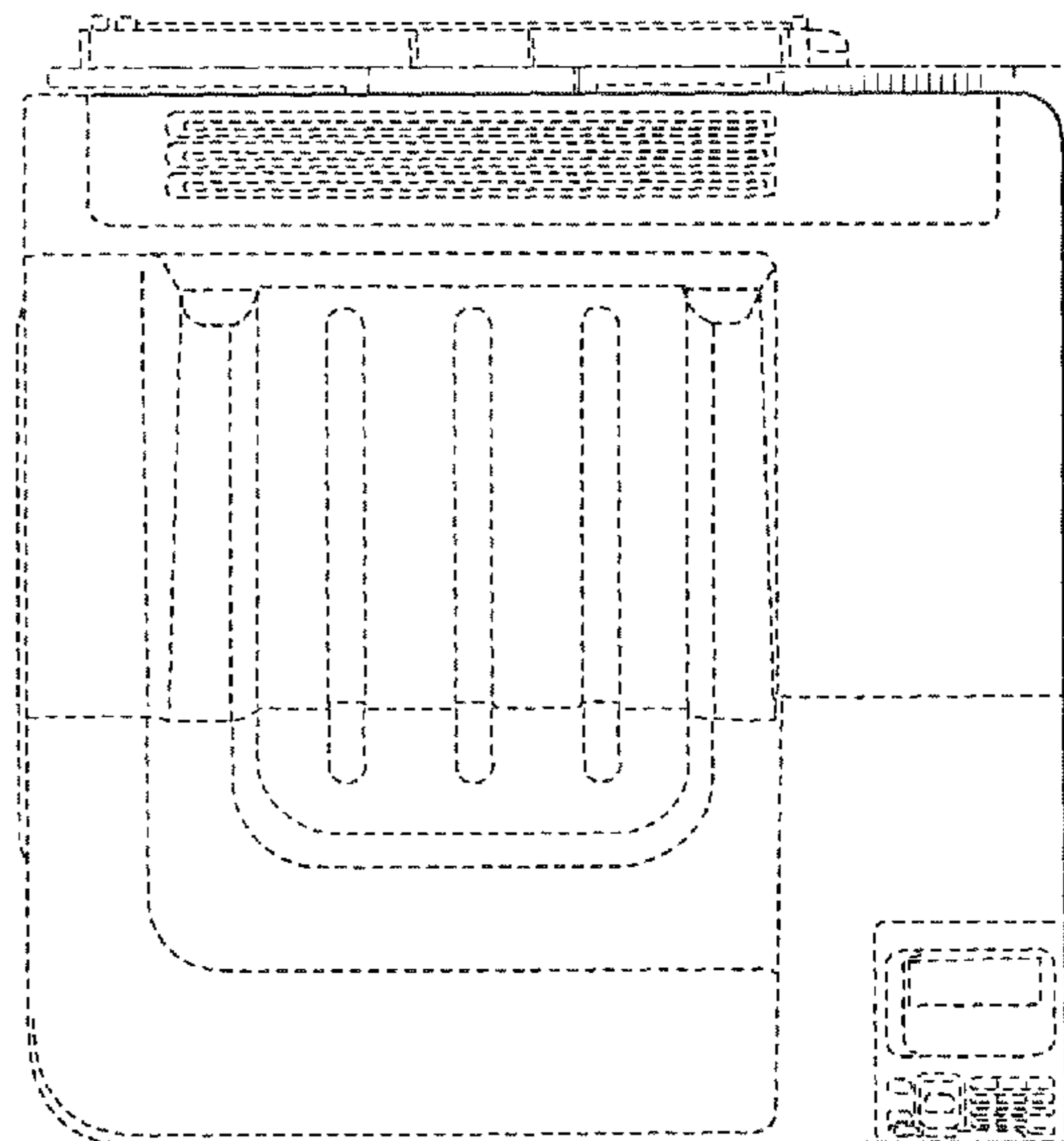
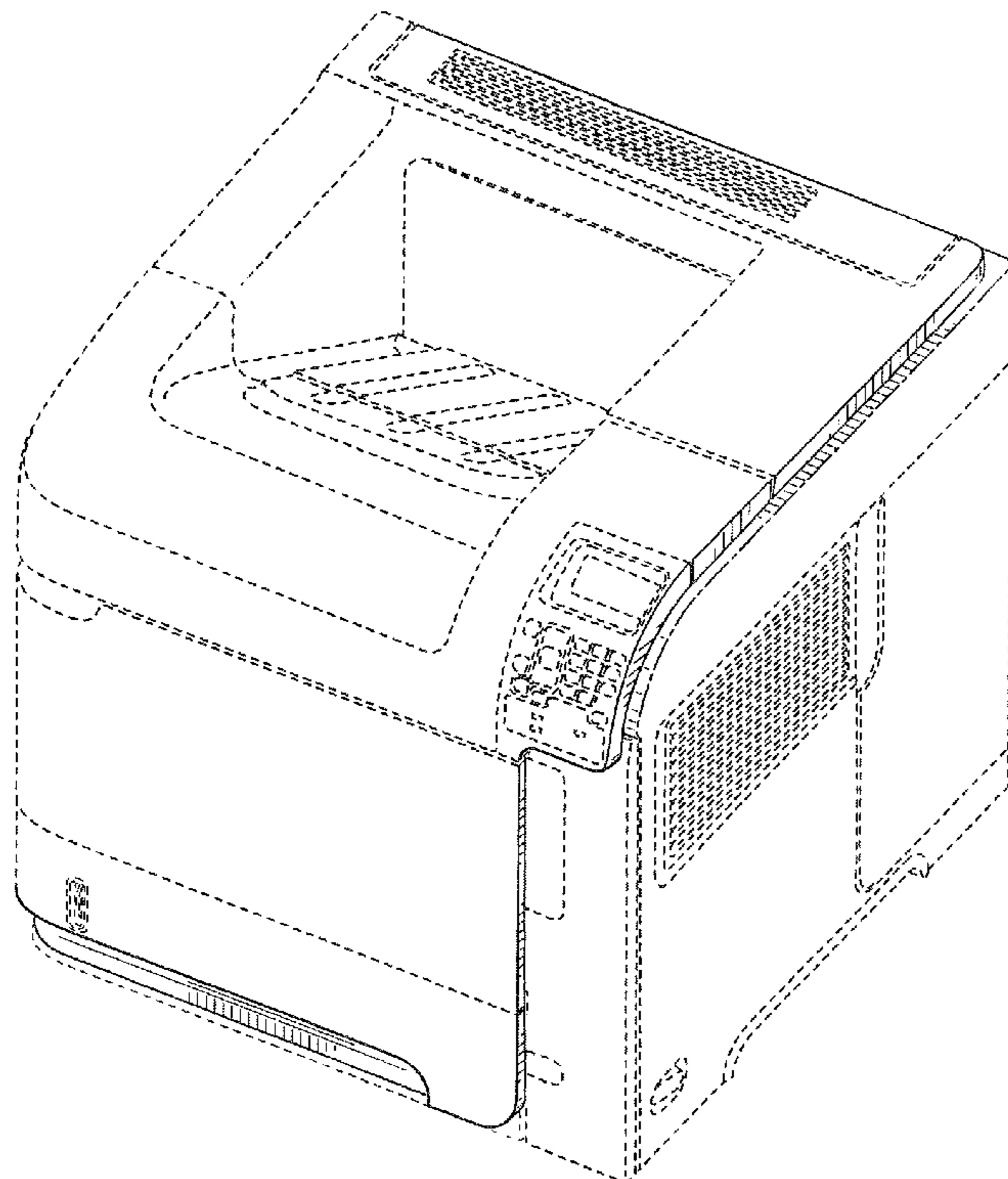
FIG. 5 is a left view thereof;

FIG. 6 is a top view thereof; and,

FIG. 7 is a bottom view thereof.

The dash-dash broken lines in the drawings are environmental lines while the dash-dot-dash broken lines represent boundary lines, neither of which form part of the claimed design.

1 Claim, 4 Drawing Sheets



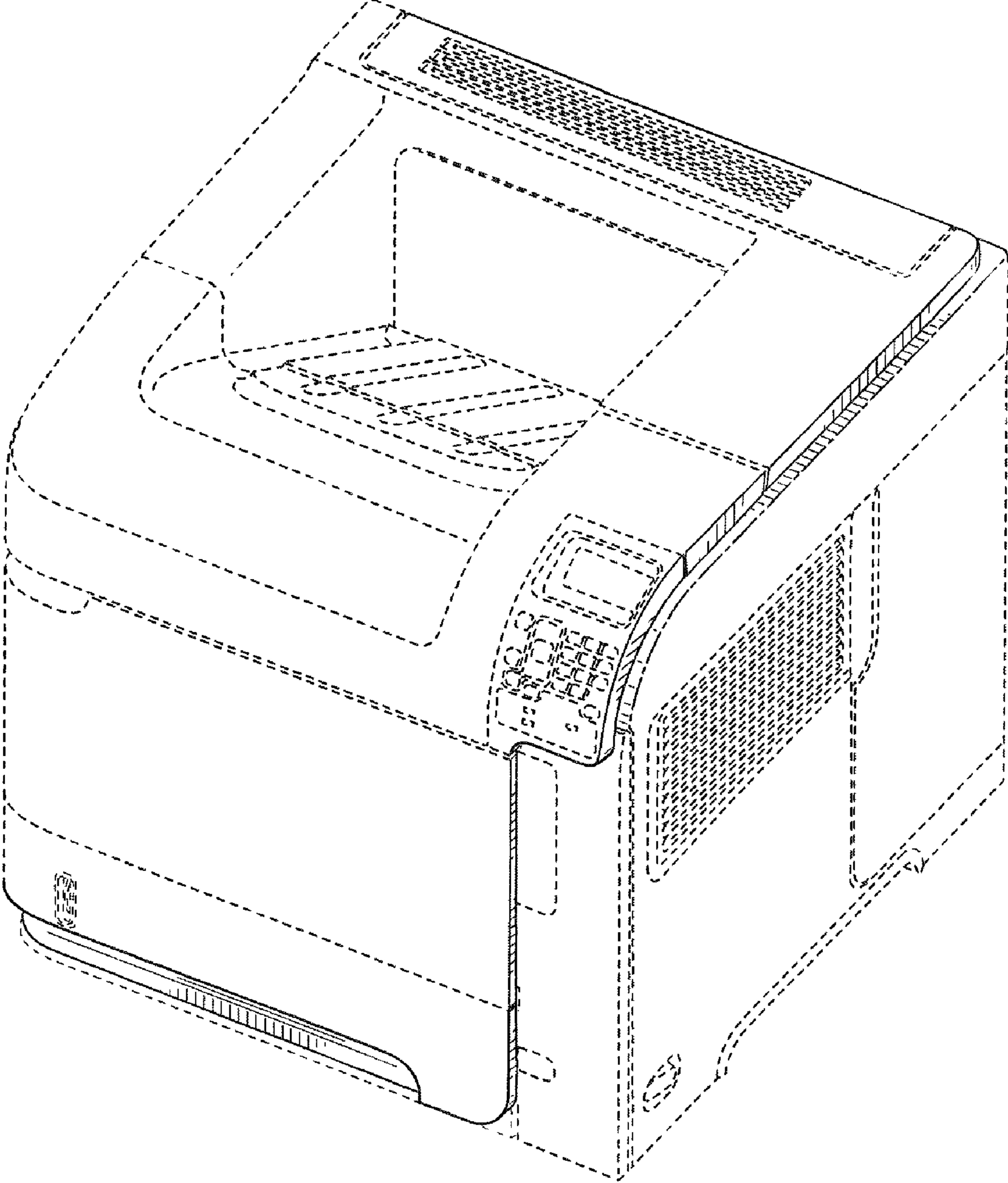


FIG. 1

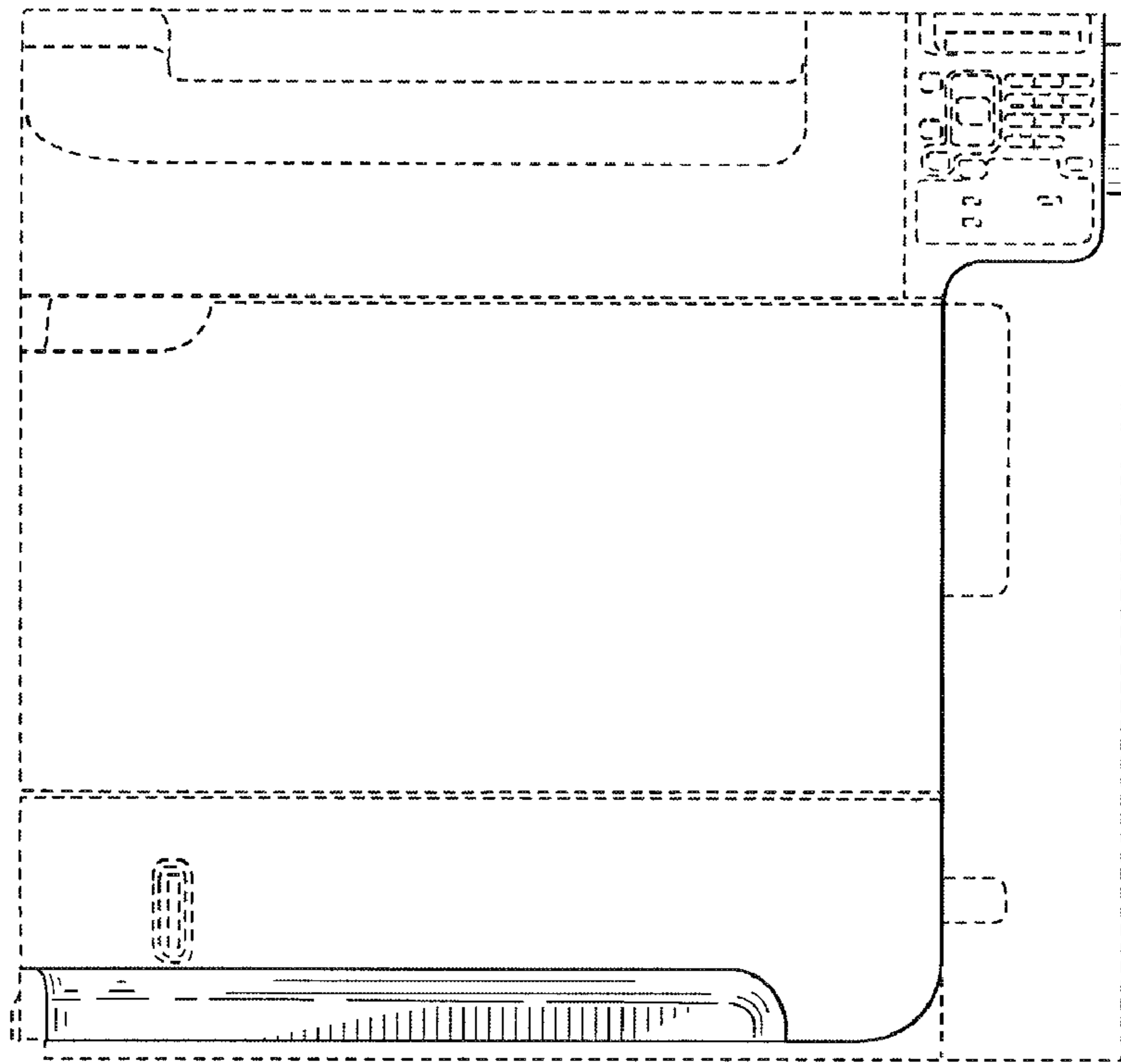


FIG. 2

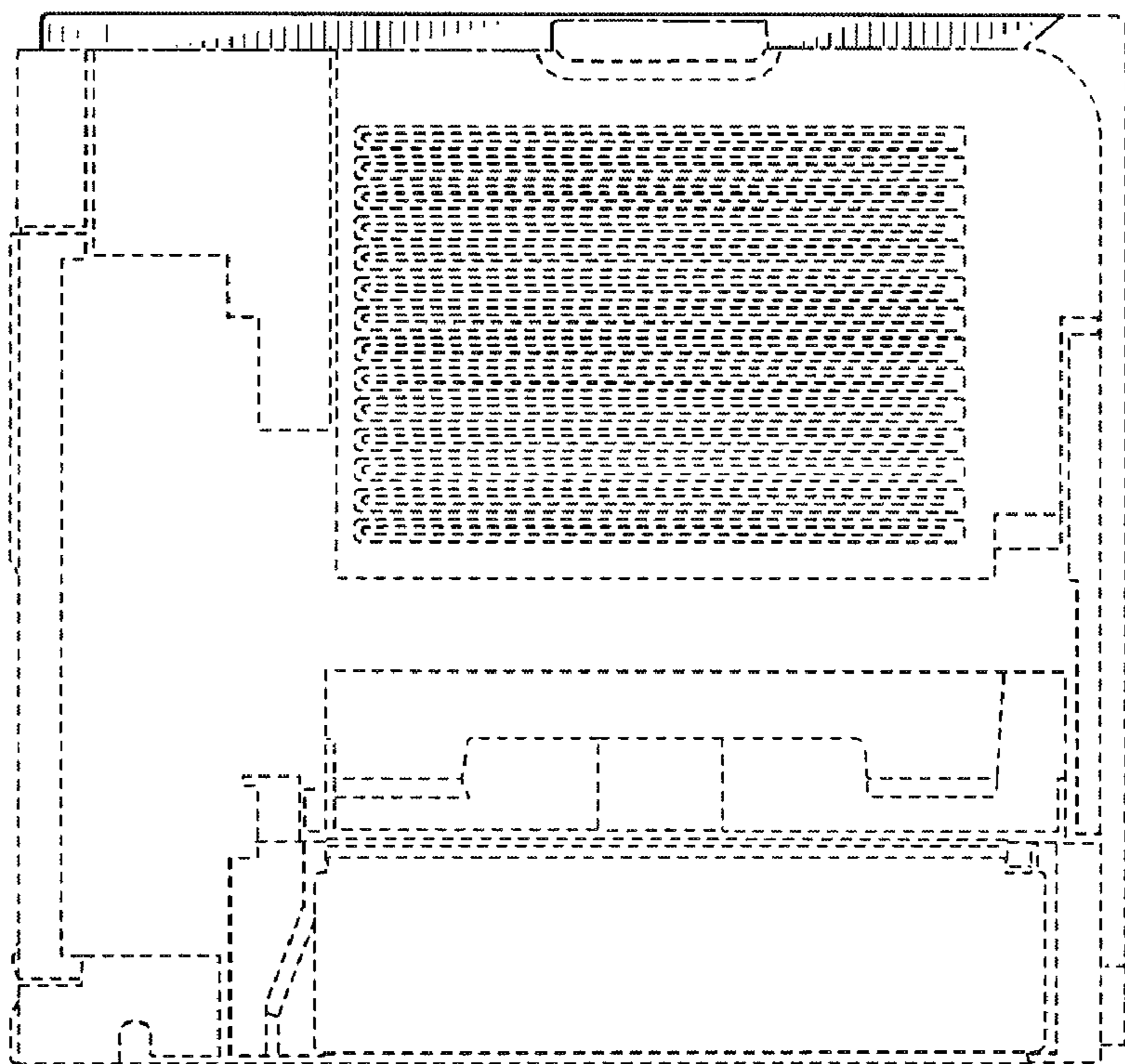


FIG. 3

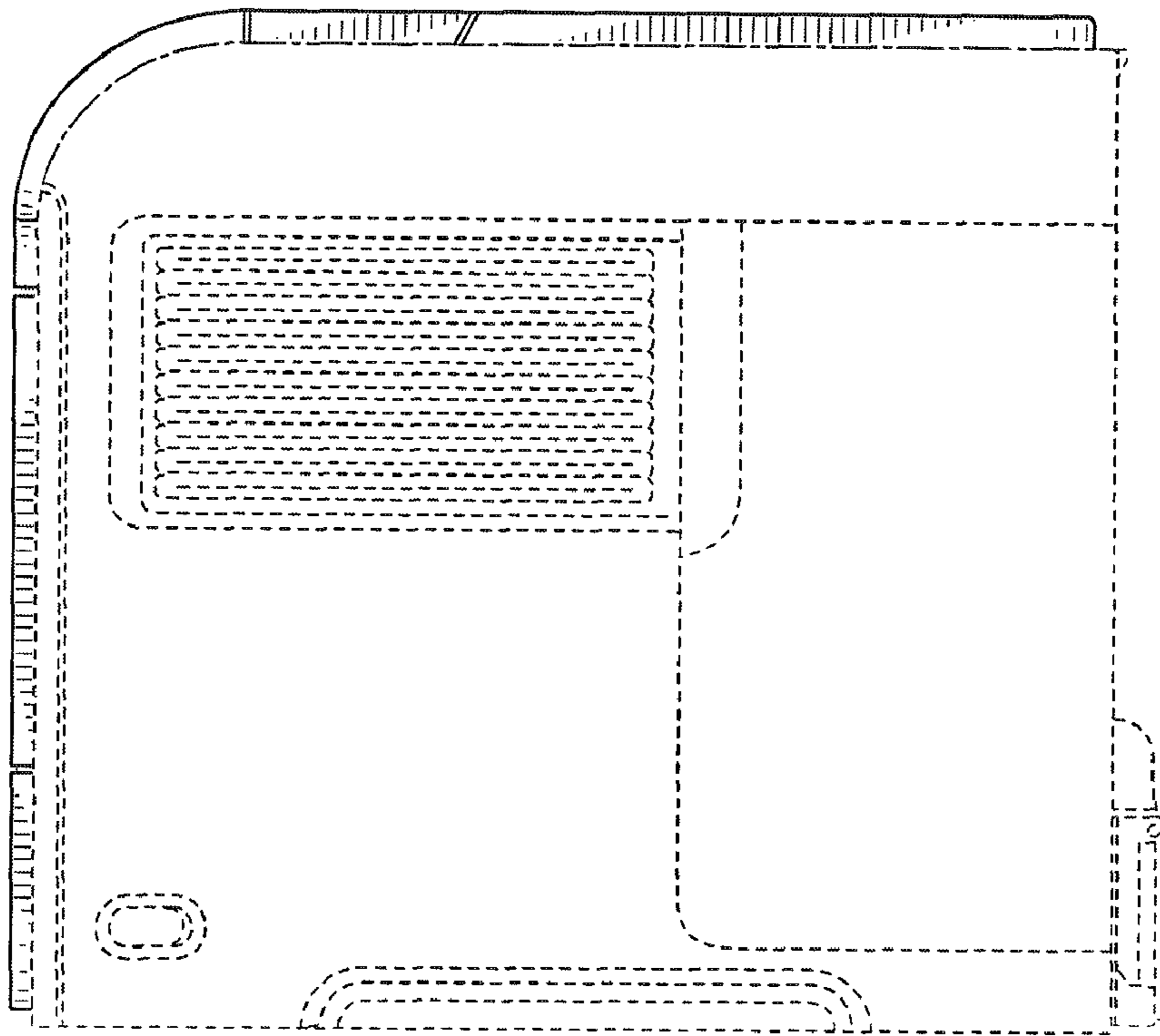


FIG. 4

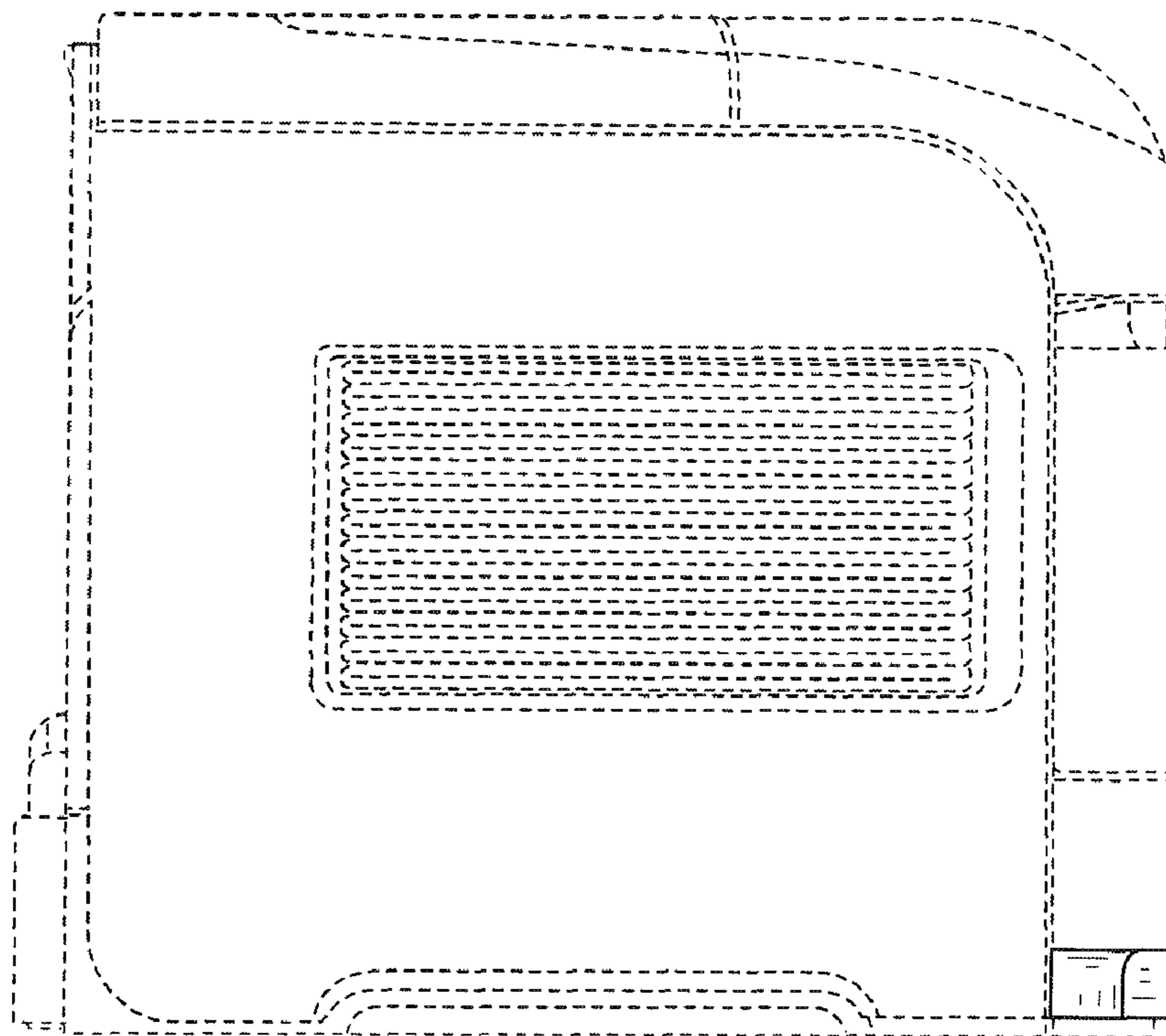


FIG. 5

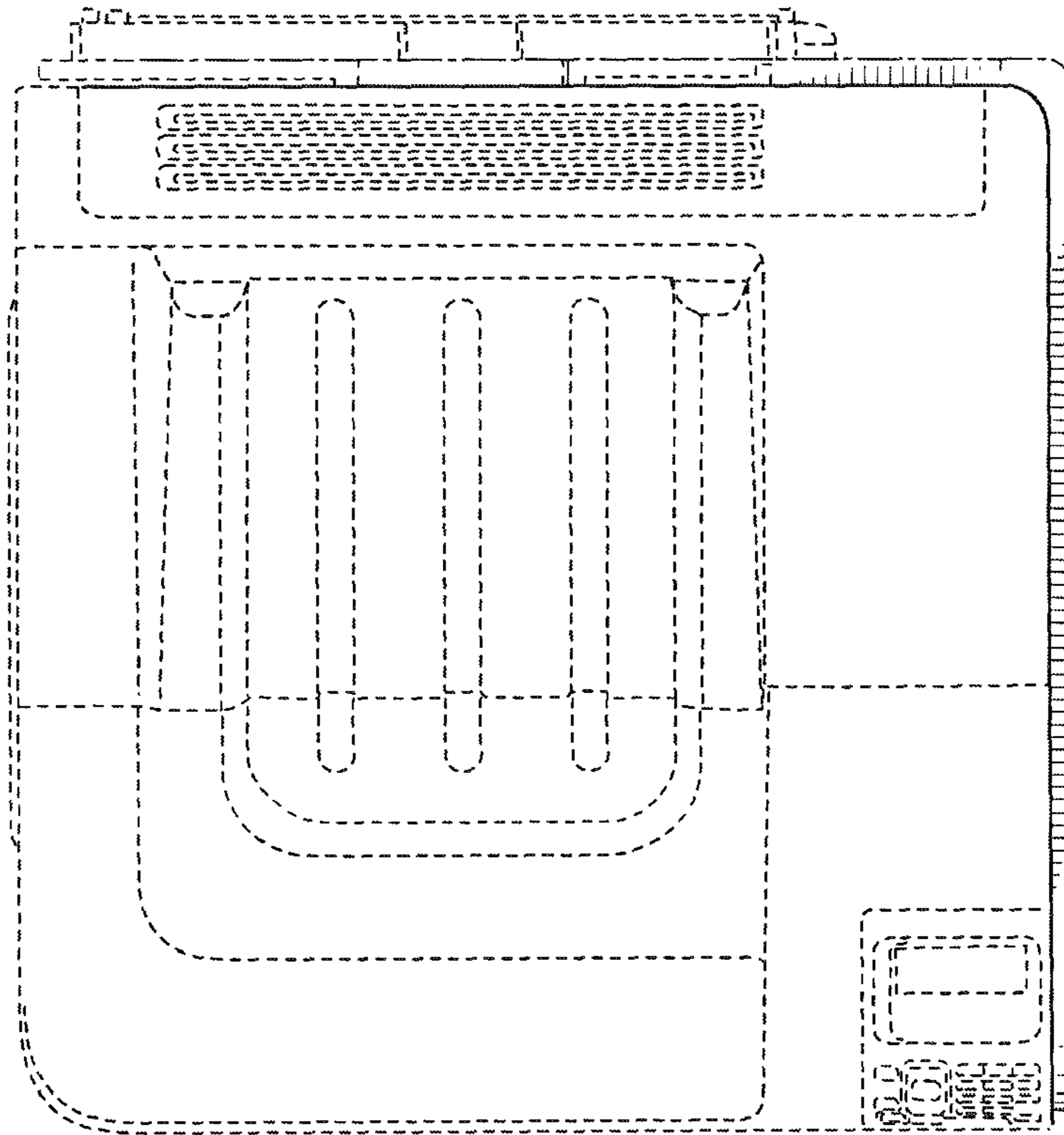


FIG. 6

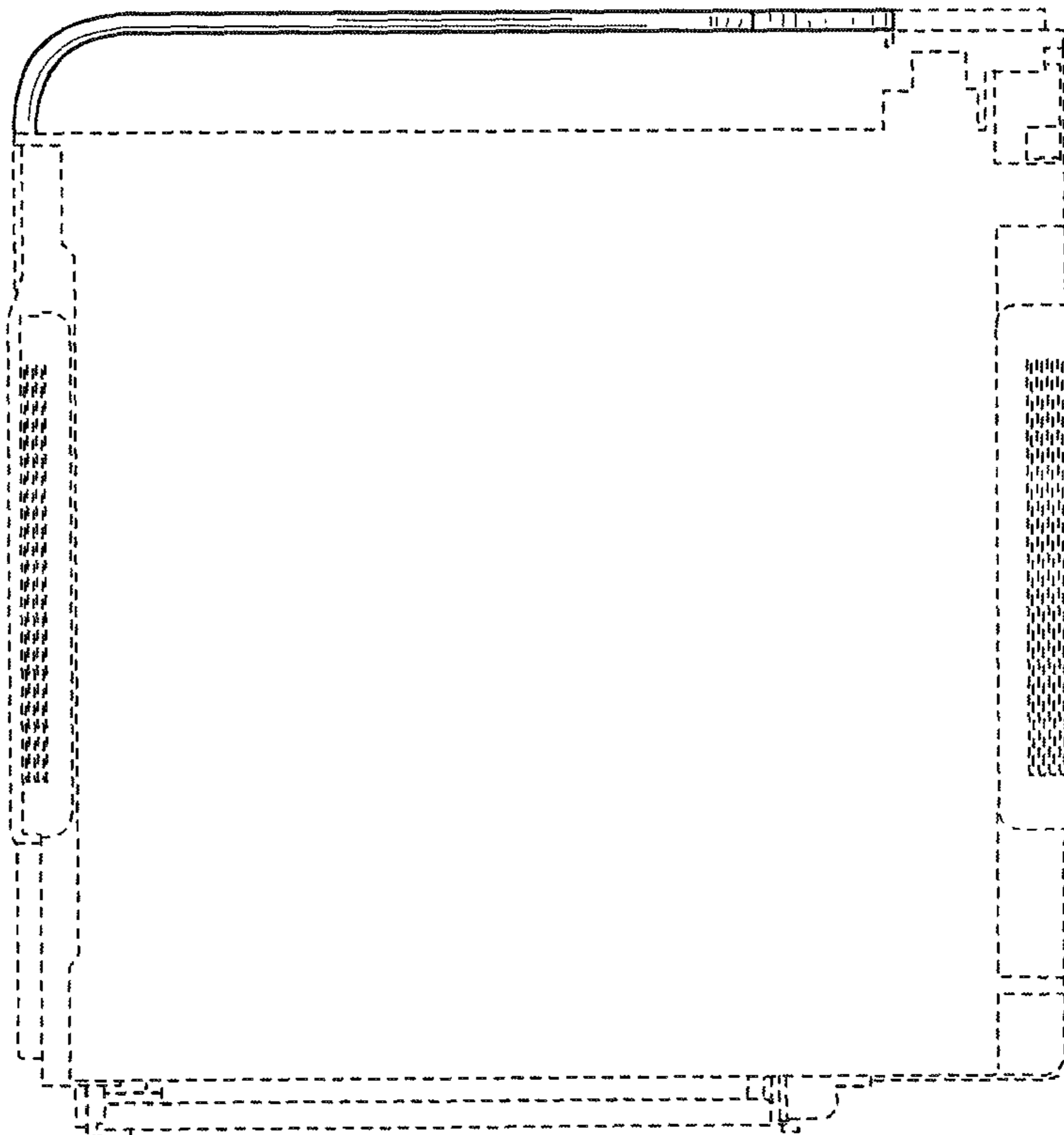


FIG. 7