

US00D627389S

(12) **United States Design Patent**  
**Askren et al.**

(10) **Patent No.:** **US D627,389 S**

(45) **Date of Patent:** **\*\* \*Nov. 16, 2010**

(54) **DEVELOPER UNIT**

(75) Inventors: **Benjamin Alan Askren**, Lexington, KY (US); **Peter Alden Bayerle**, Lexington, KY (US); **Donn Duane Bryant**, Lexington, KY (US); **Jason Paul Hale**, Richmond, KY (US); **Michael Craig Leemhuis**, Nicholasville, KY (US); **Steven Wayne Parish**, Lexington, KY (US)

(73) Assignee: **Lexmark International, Inc.**, Lexington, KY (US)

(\*) Notice: This patent is subject to a terminal disclaimer.

(\*\*) Term: **14 Years**

(21) Appl. No.: **29/232,382**

(22) Filed: **Aug. 23, 2005**

(51) **LOC (9) Cl.** ..... **16-03**

(52) **U.S. Cl.** ..... **D18/43**

(58) **Field of Classification Search** ..... D18/12, D18/36, 40, 43, 44, 56; D14/462, 469-471; 222/DIG. 1; 347/197, 222; 399/24-28, 107-112, 399/119, 121, 122, 222-224; 400/207, 208  
See application file for complete search history.

(56) **References Cited**

**U.S. PATENT DOCUMENTS**

D332,798 S 1/1993 Crowe et al.  
D338,227 S \* 8/1993 Tokuda et al. .... D18/43  
D338,909 S \* 8/1993 Tokuda et al. .... D18/43  
D357,272 S \* 4/1995 Tokuda et al. .... D18/43

D397,140 S \* 8/1998 Oshida ..... D18/40  
D412,932 S \* 8/1999 Okada ..... D18/43  
D433,441 S \* 11/2000 Yonekawa et al. .... D18/43  
D448,041 S 9/2001 Pichler et al.  
D450,083 S 11/2001 Bishop et al.  
D458,300 S 6/2002 Kwon  
D461,492 S 8/2002 Bishop et al.  
D463,819 S 10/2002 Sickmann  
6,771,922 B2 8/2004 Blanck et al.  
7,068,954 B1 \* 6/2006 Miller ..... 399/111

\* cited by examiner

*Primary Examiner*—Garth Rademaker

(74) *Attorney, Agent, or Firm*—Steven J. Grossman

(57) **CLAIM**

The original design for a developer unit, as shown and described.

**DESCRIPTION**

FIG. 1 is a perspective view of a developer unit of the present invention;

FIG. 2 is a front view thereof;

FIG. 3 is a rear view thereof;

FIG. 4 is a right side view thereof;

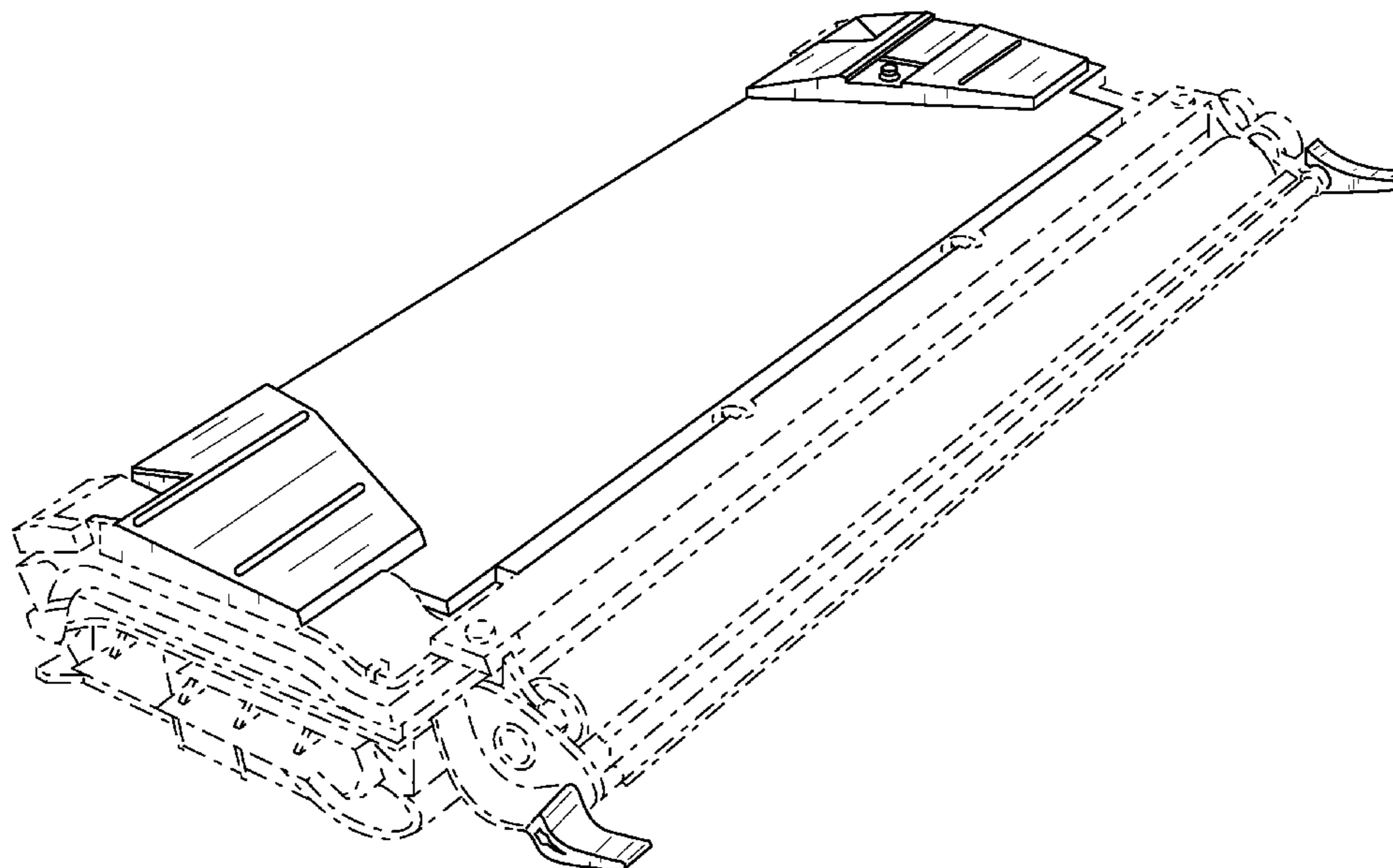
FIG. 5 is a left side view thereof;

FIG. 6 is top view thereof; and,

FIG. 7 is a bottom view thereof.

The purpose of the broken (dashed) lines in the FIGS. is to indicate environmental structure and form no part of the design to be patented. The solid black dot(s) in FIGS. 1, 4 and 5 indicate boundaries of the claimed design.

**1 Claim, 5 Drawing Sheets**



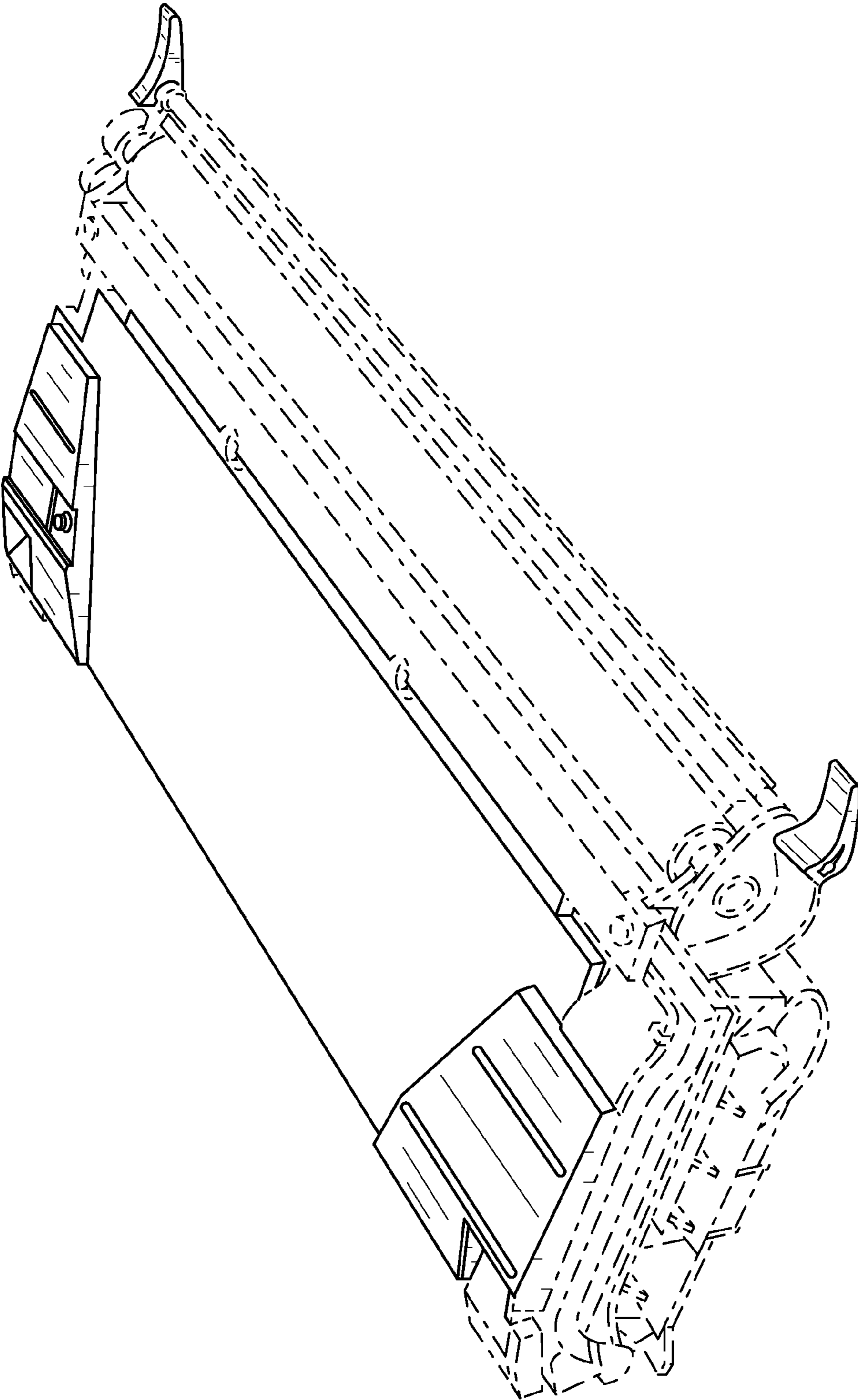


FIG. 1

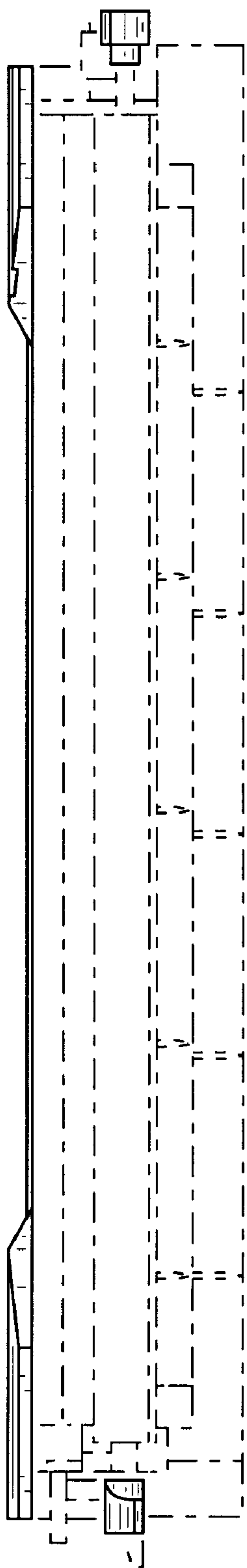


FIG. 2

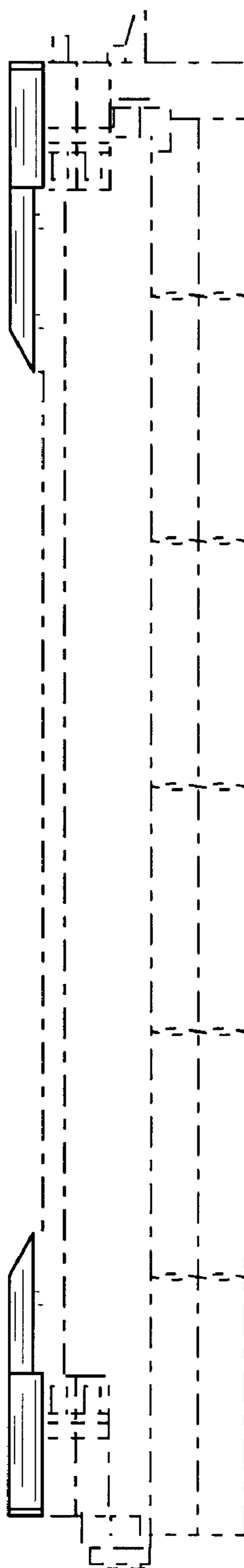


FIG. 3

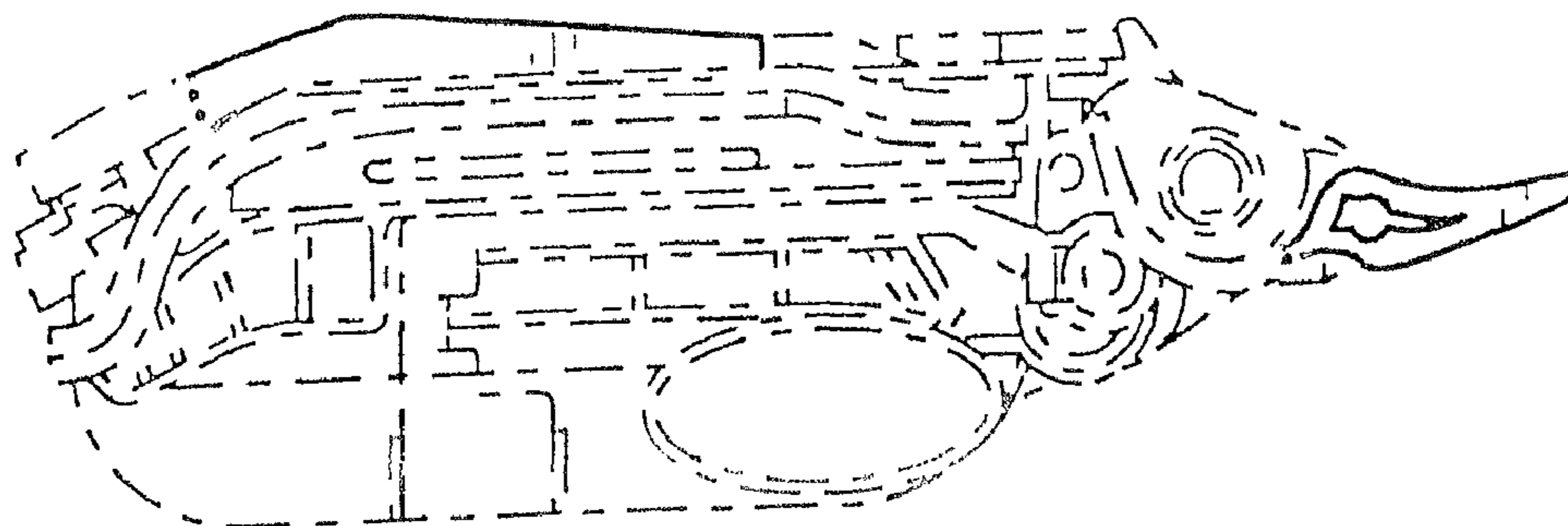


FIG. 4

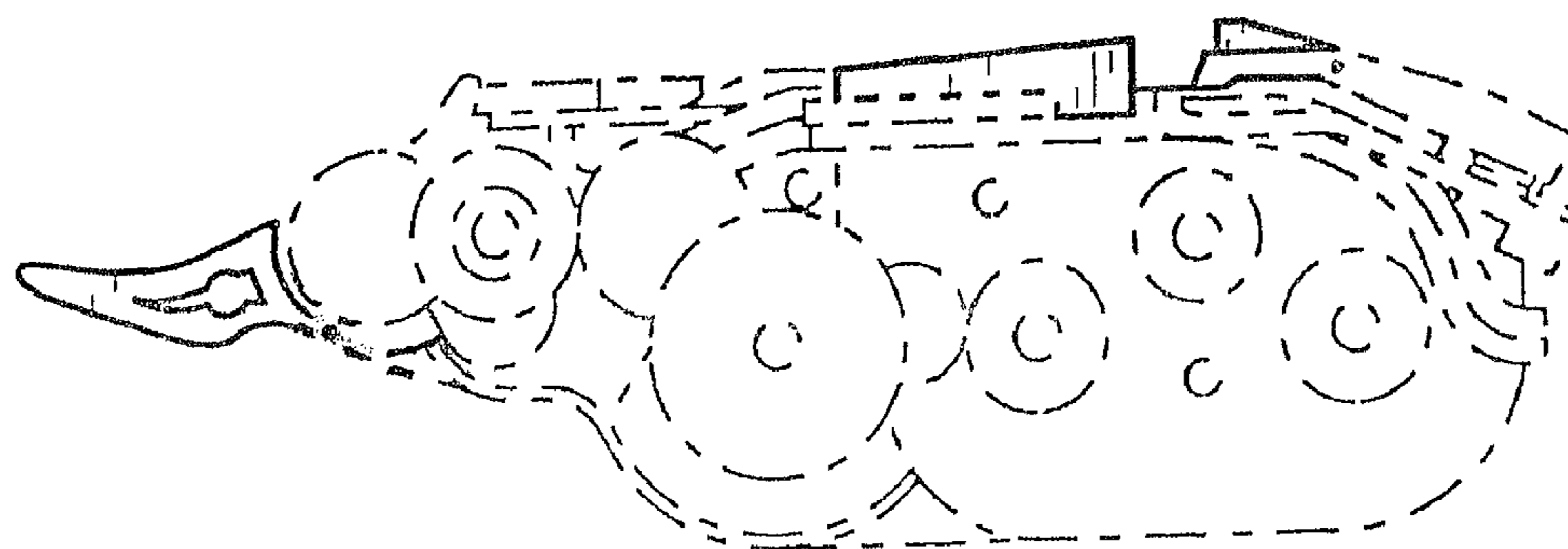


FIG. 5

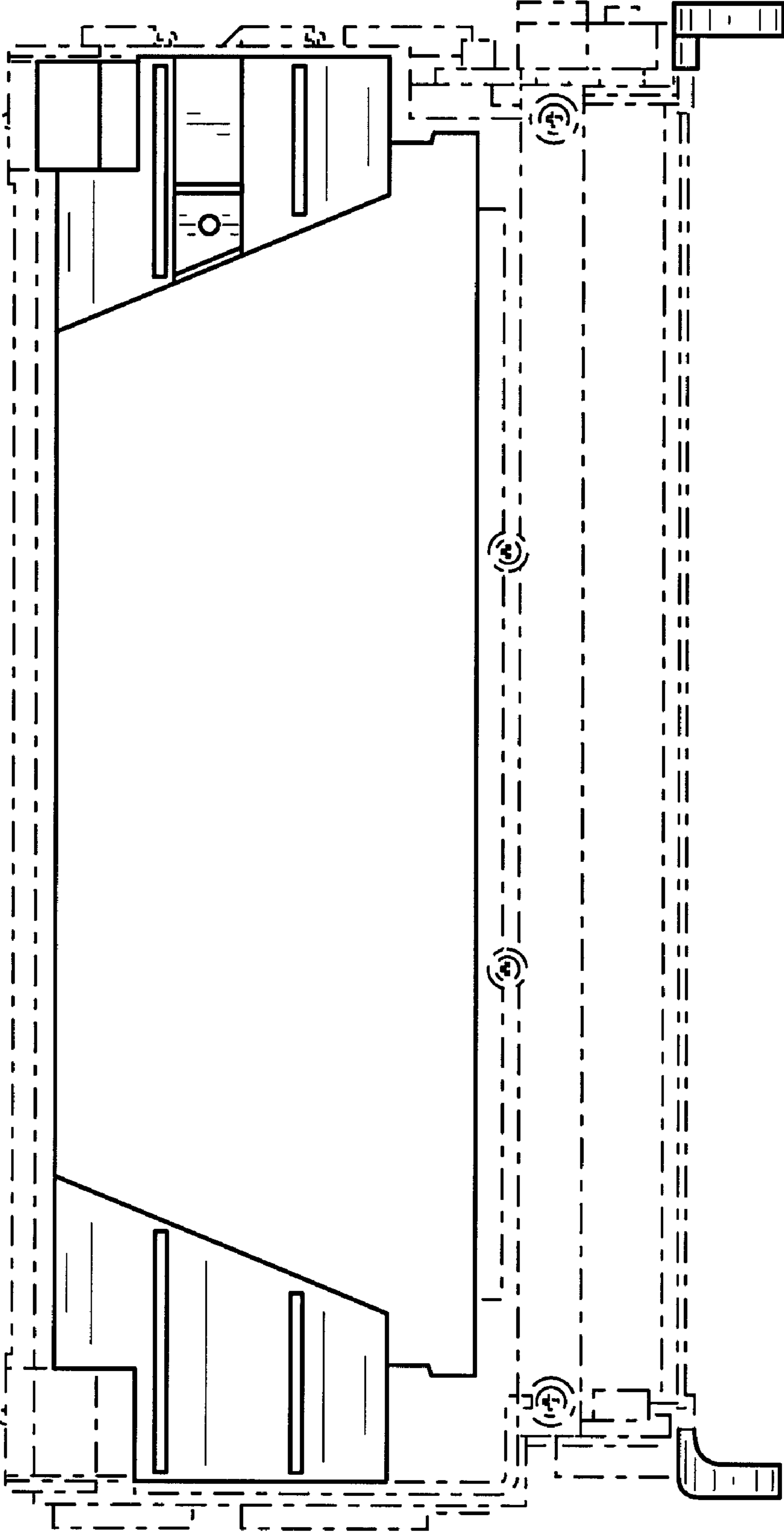


FIG. 6

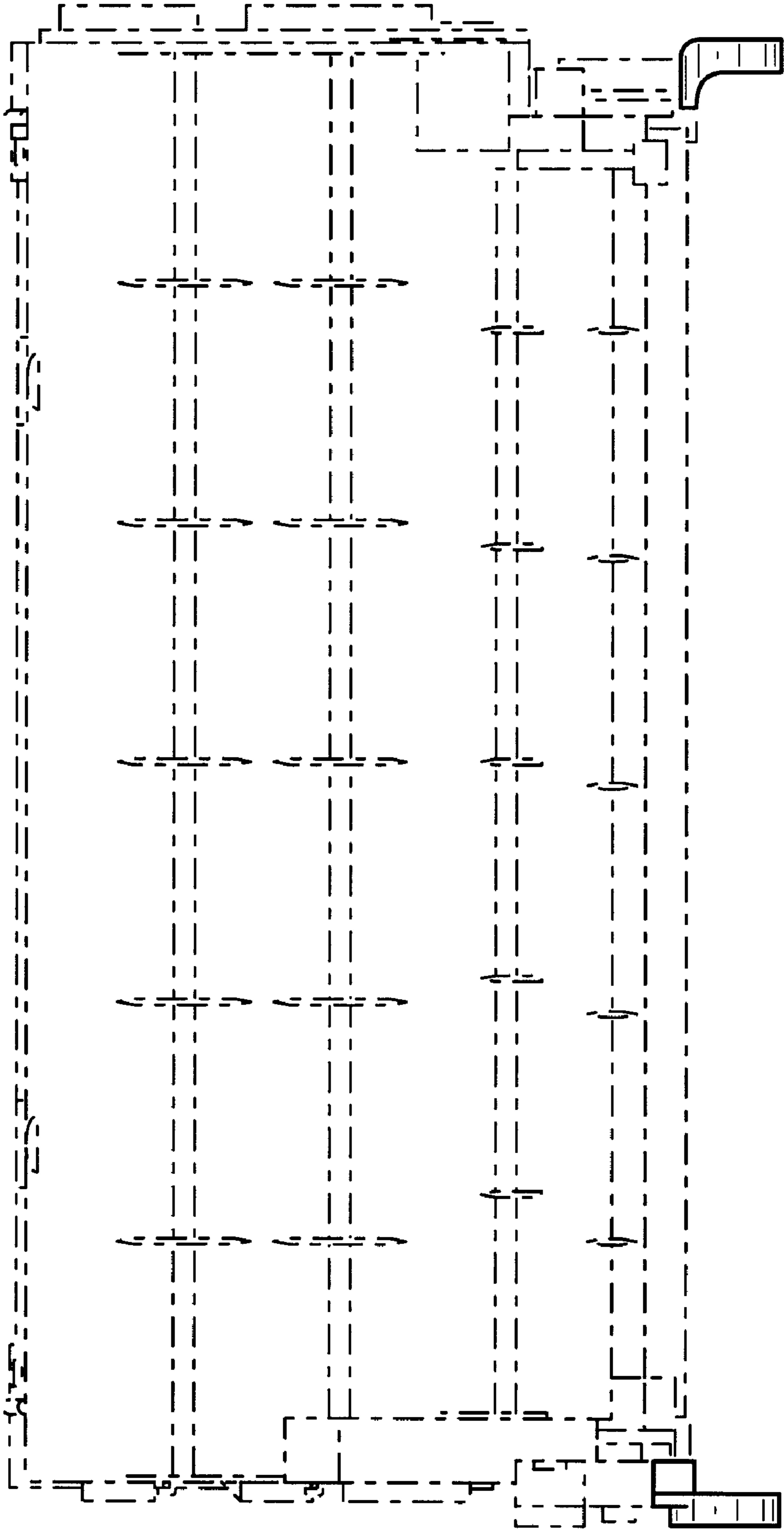


FIG. 7