



US00D627388S

(12) **United States Design Patent**
Takeda et al.

(10) **Patent No.:** **US D627,388 S**

(45) **Date of Patent:** **** Nov. 16, 2010**

(54) **OPERATION PANEL FOR A PROJECTOR**

(75) Inventors: **Mikiya Takeda**, Minato-ku (JP);
Manabu Tominaga, Shinagawa-ku (JP)

(73) Assignee: **NEC Display Solutions, Ltd.**, Tokyo
(JP)

(**) Term: **14 Years**

(21) Appl. No.: **29/343,300**

(22) Filed: **Sep. 10, 2009**

(30) **Foreign Application Priority Data**

Mar. 24, 2009 (JP) 2009-006525

(51) **LOC (9) Cl.** **16-02**

(52) **U.S. Cl.** **D16/235; D16/225**

(58) **Field of Classification Search** D16/205,
D16/208, 221, 225, 230-231, 234-235; D13/162;
D14/217-218; 353/115, 119, 122; 361/622,
361/627

See application file for complete search history.

(56) **References Cited**

U.S. PATENT DOCUMENTS

D388,769	S *	1/1998	Pritchard et al.	D13/162
D418,532	S *	1/2000	Kuramoto et al.	D16/230
D421,269	S *	2/2000	Murakami	D16/231
D436,980	S *	1/2001	Takeuchi et al.	D16/231
6,404,467	B1 *	6/2002	Zeiger et al.	353/119
D481,056	S *	10/2003	Kawasaki et al.	D16/235
7,021,775	B2 *	4/2006	Sample	353/119
7,108,382	B2 *	9/2006	Oross	353/119

D536,359	S *	2/2007	Salvatori et al.	D16/230
D538,790	S *	3/2007	Okada et al.	D14/218
D605,215	S *	12/2009	Azuma	D16/230
2007/0002290	A1 *	1/2007	Muraki et al.	353/119

* cited by examiner

Primary Examiner—Ian Simmons

Assistant Examiner—Wan Laymon

(74) *Attorney, Agent, or Firm*—Sughrue Mion, PLLC

(57) **CLAIM**

The ornamental design for an operation panel for a projector, as shown and described.

DESCRIPTION

FIG. 1 is a front, right side, top perspective view of a projector showing our new design;

FIG. 2 is a front elevational view thereof;

FIG. 3 is a rear elevational view thereof;

FIG. 4 is a left side view thereof;

FIG. 5 is a right side view thereof;

FIG. 6 is a top plan view thereof

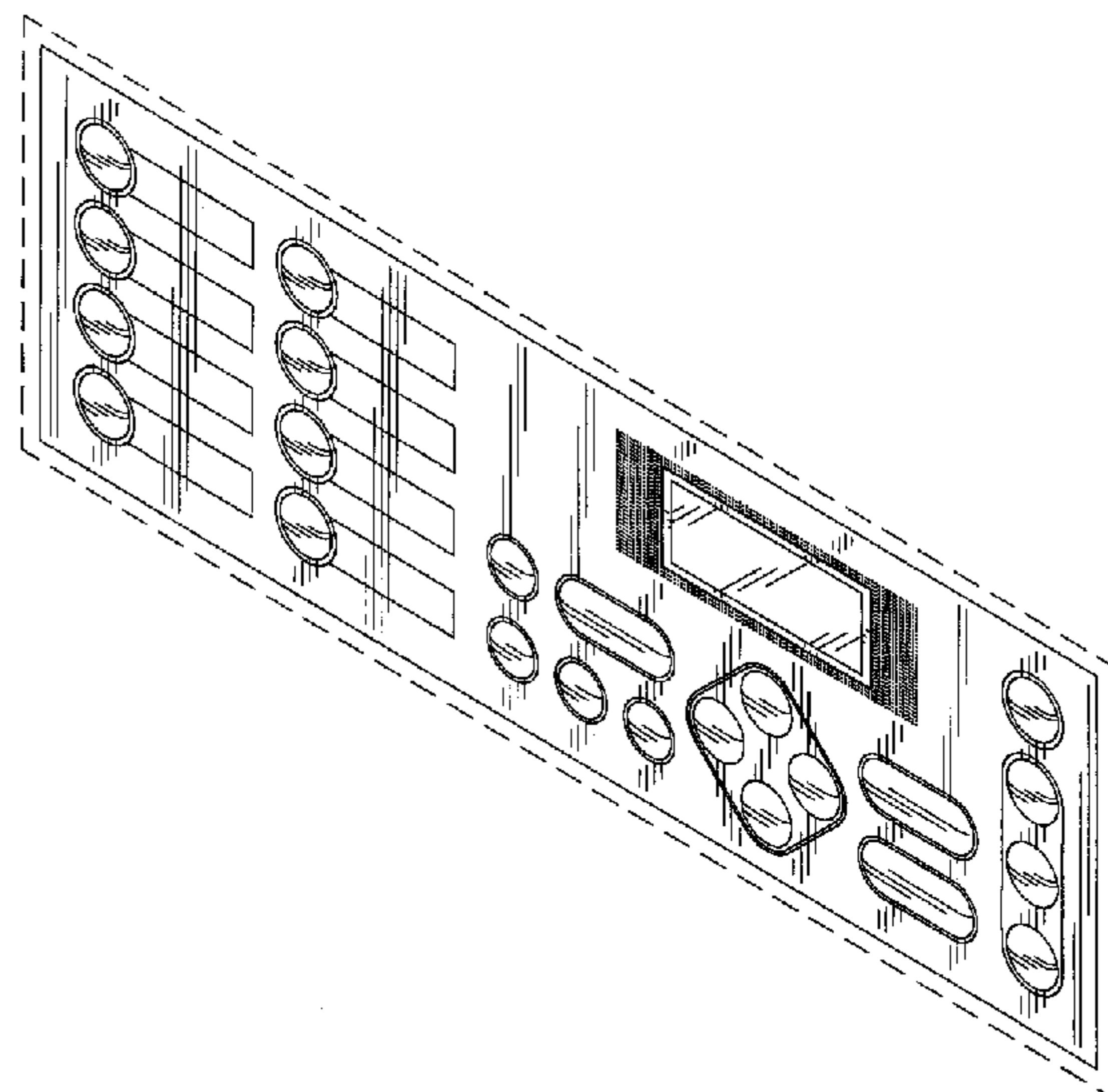
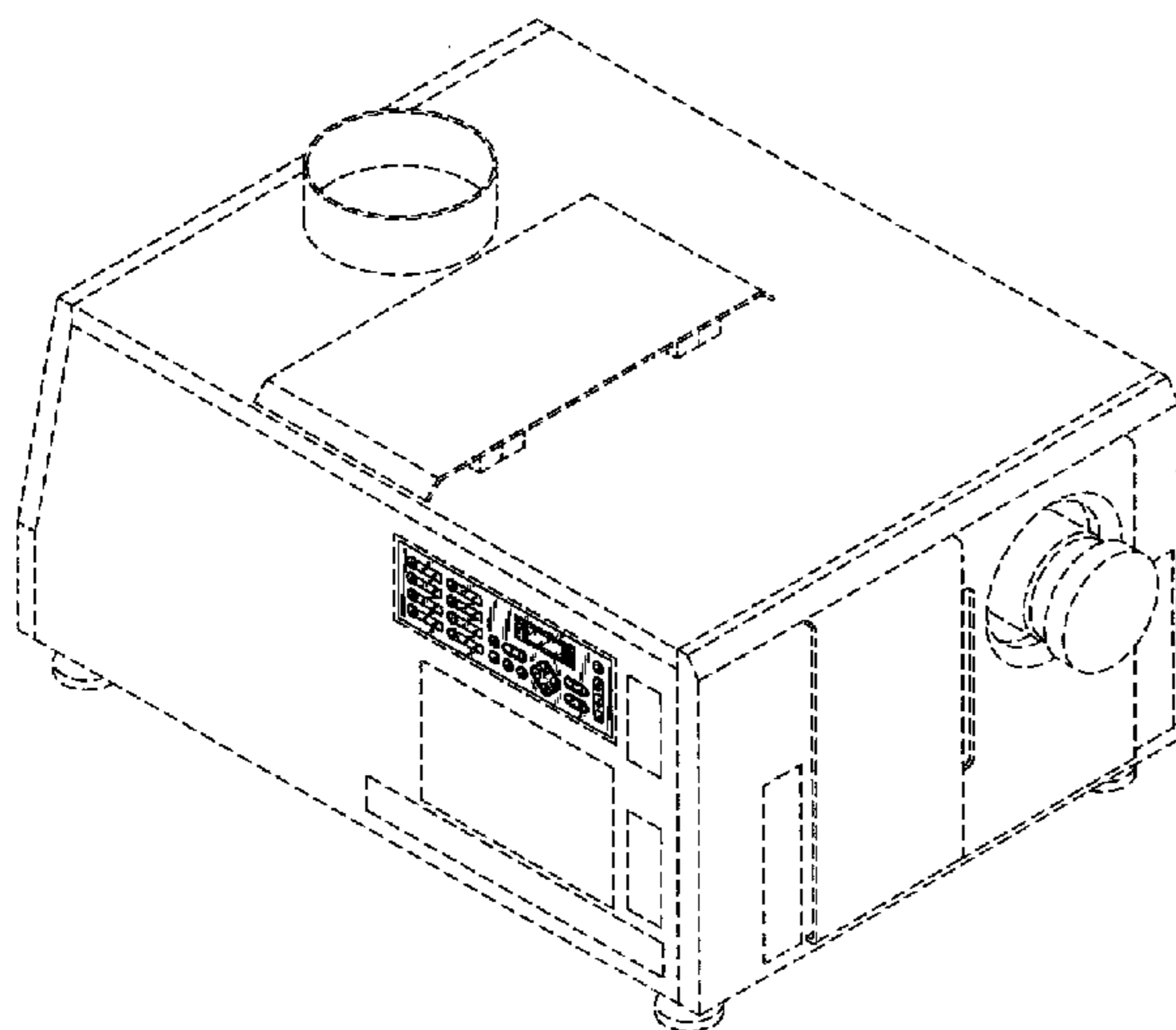
FIG. 7 is a bottom plan view thereof;

FIG. 8 is an enlarged view thereof, as seen in FIG. 2; and,

FIG. 9 is an enlarged perspective view thereof, as seen in FIG. 1.

The broken line showing portions of an operation panel for a projector is included for the purpose of illustrating environmental structure and forms no part of the claimed design.

1 Claim, 9 Drawing Sheets



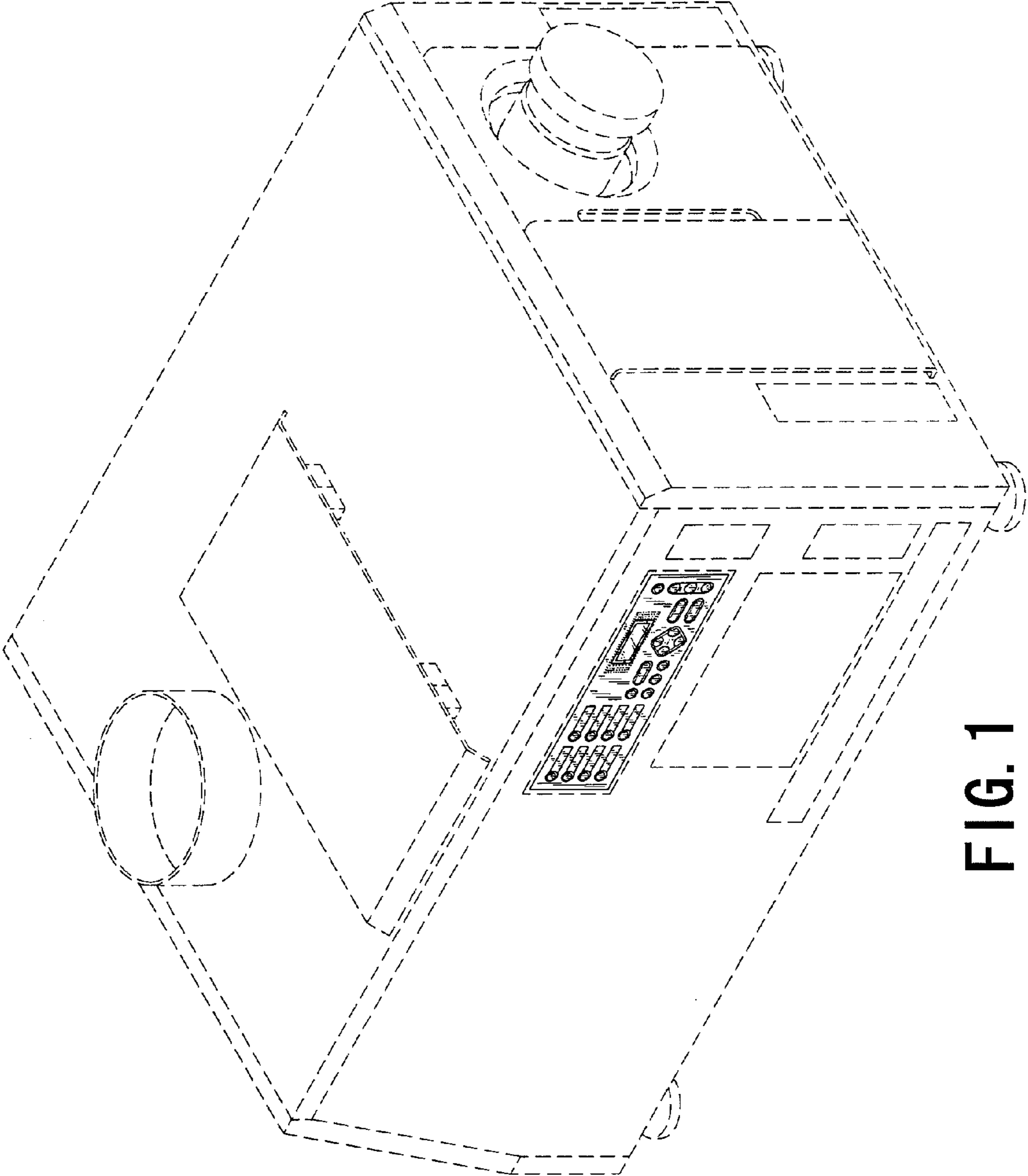


FIG. 1

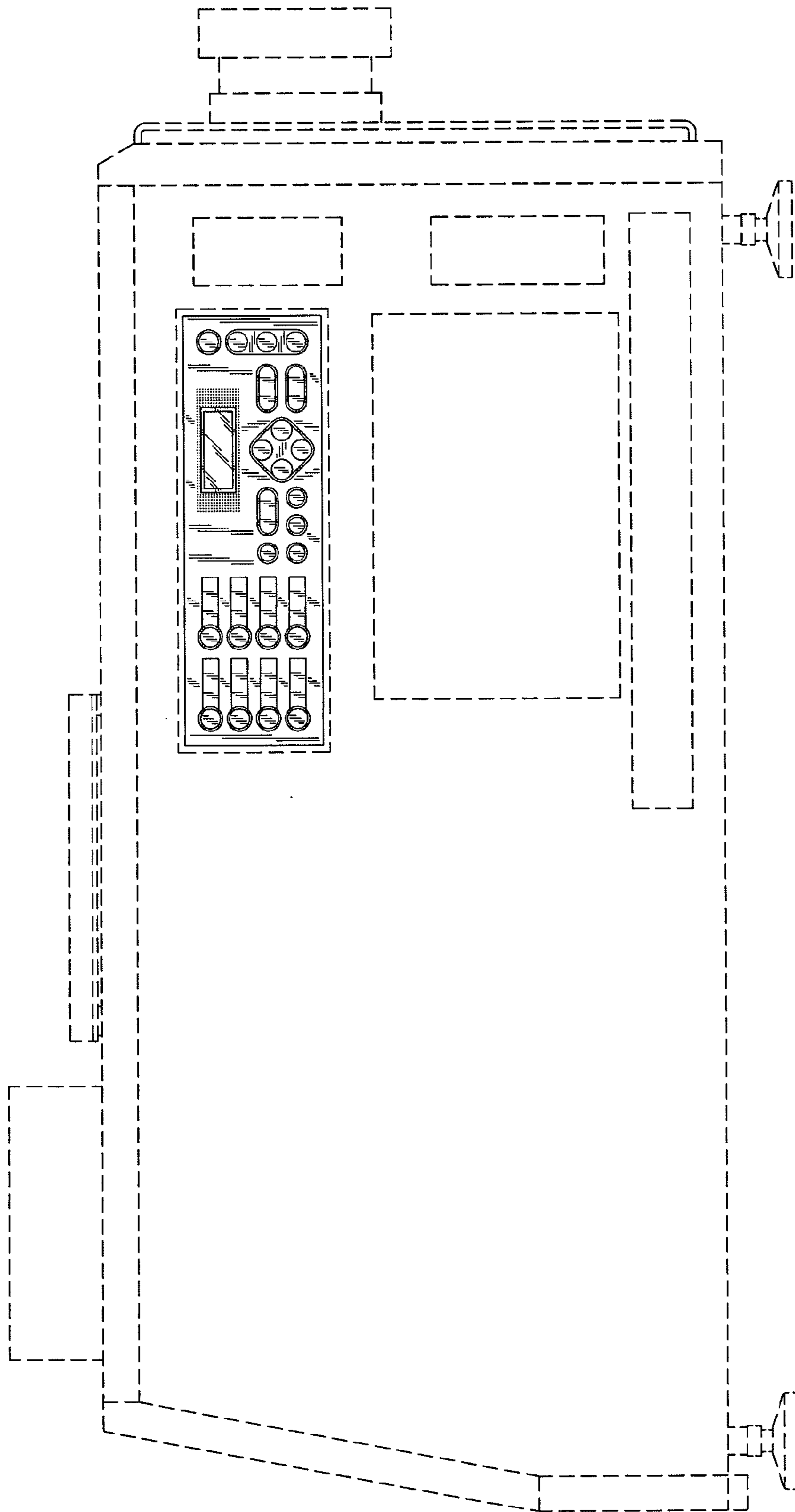


FIG. 2

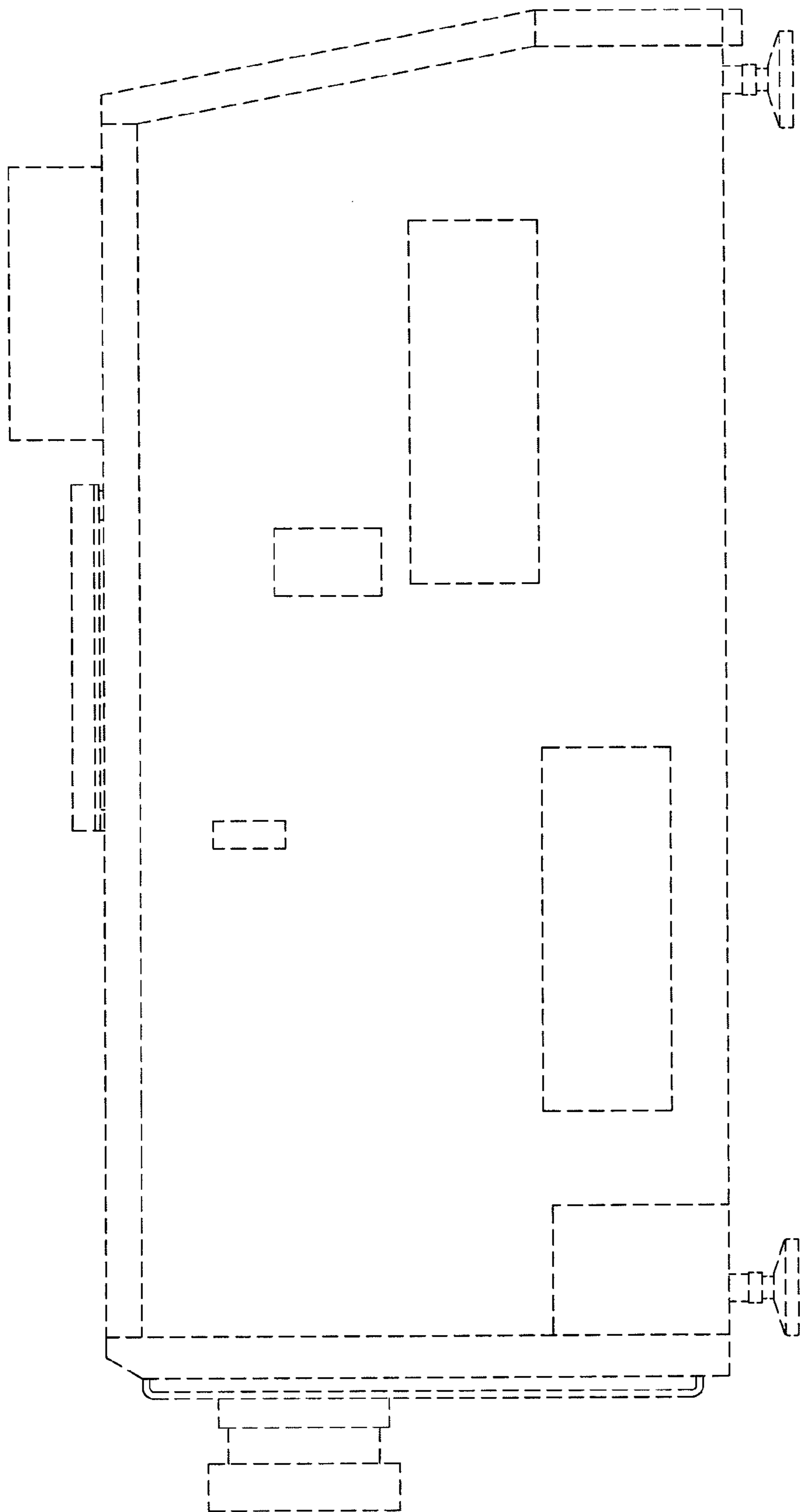


FIG. 3

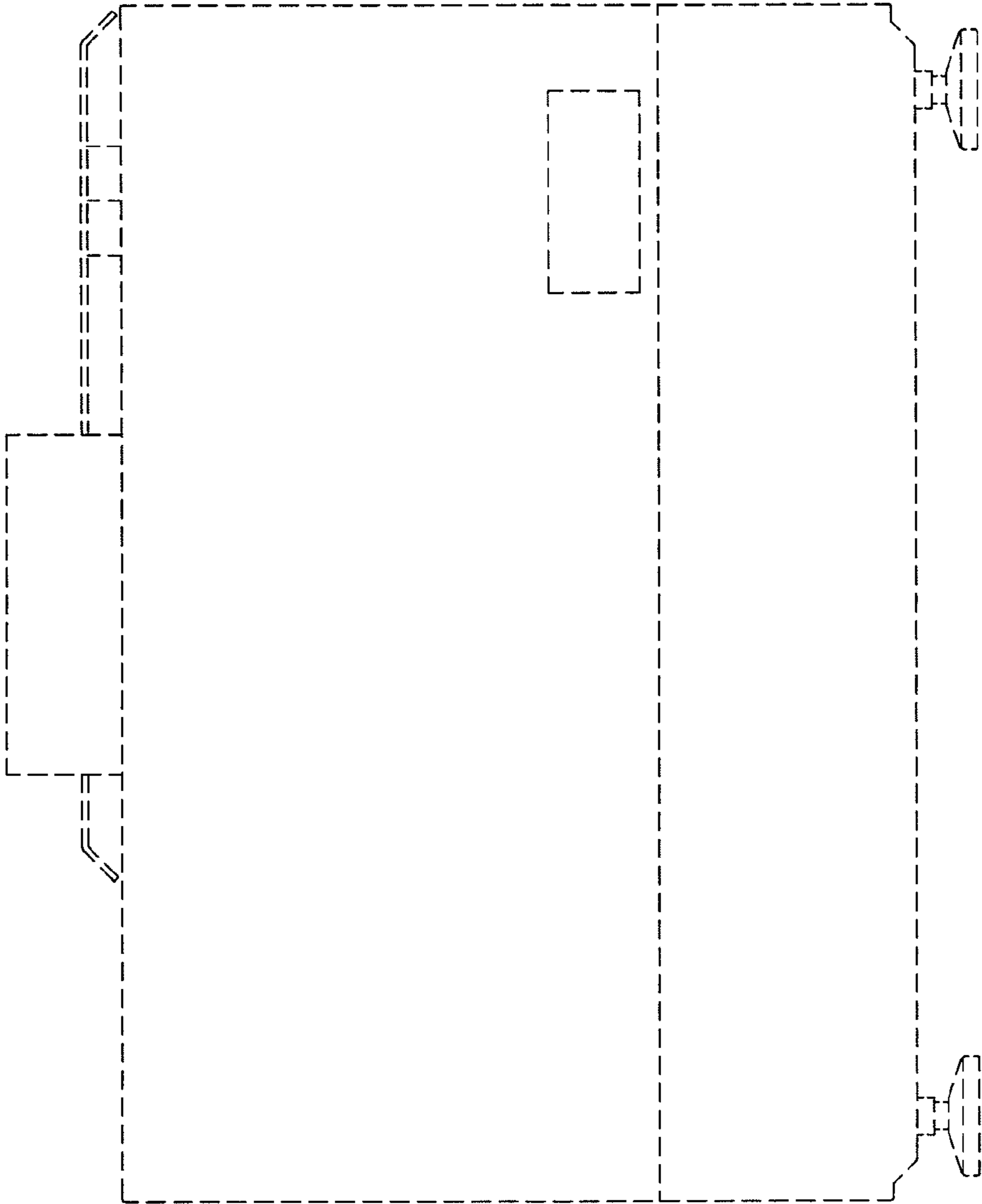


FIG. 4

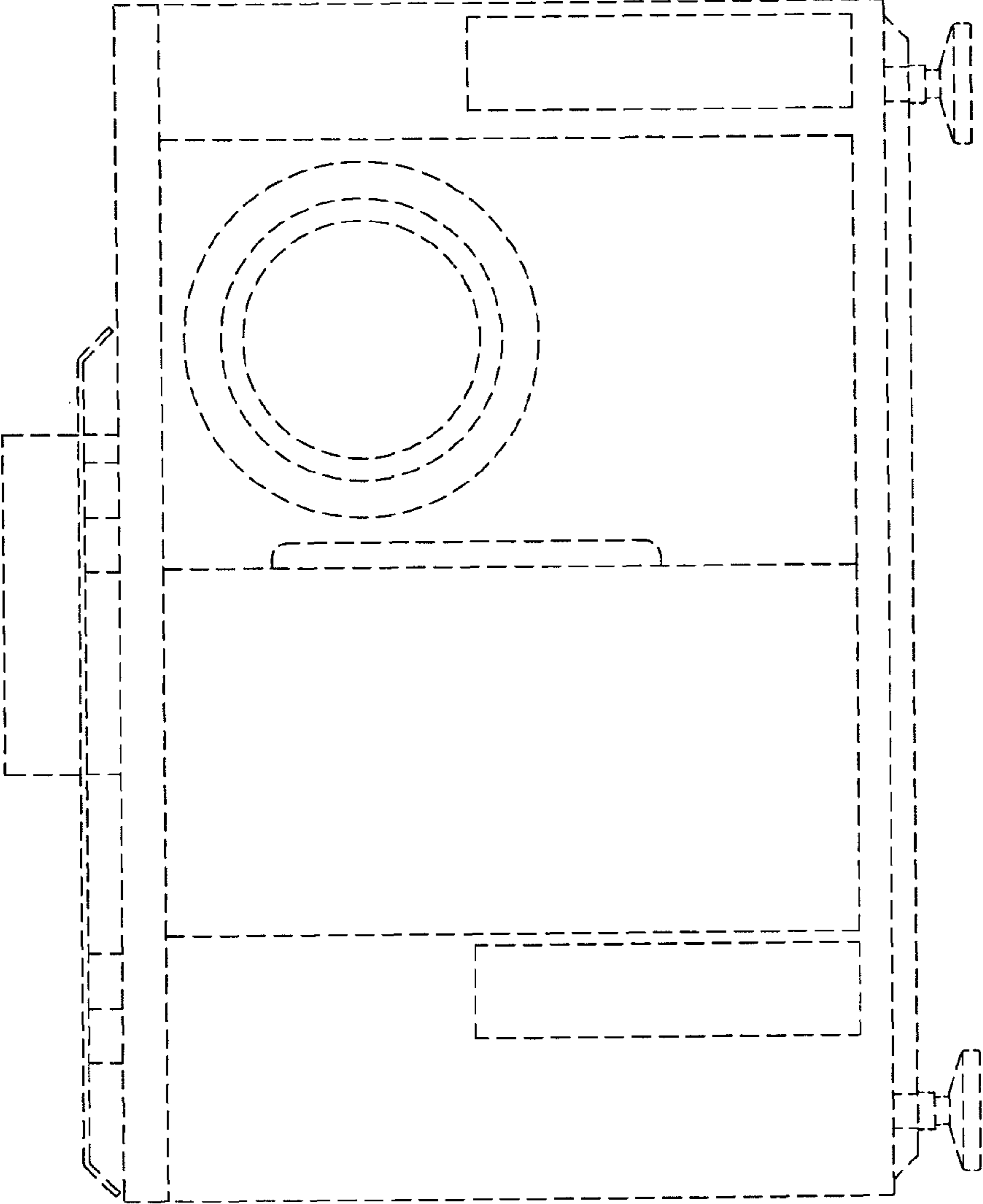


FIG. 5

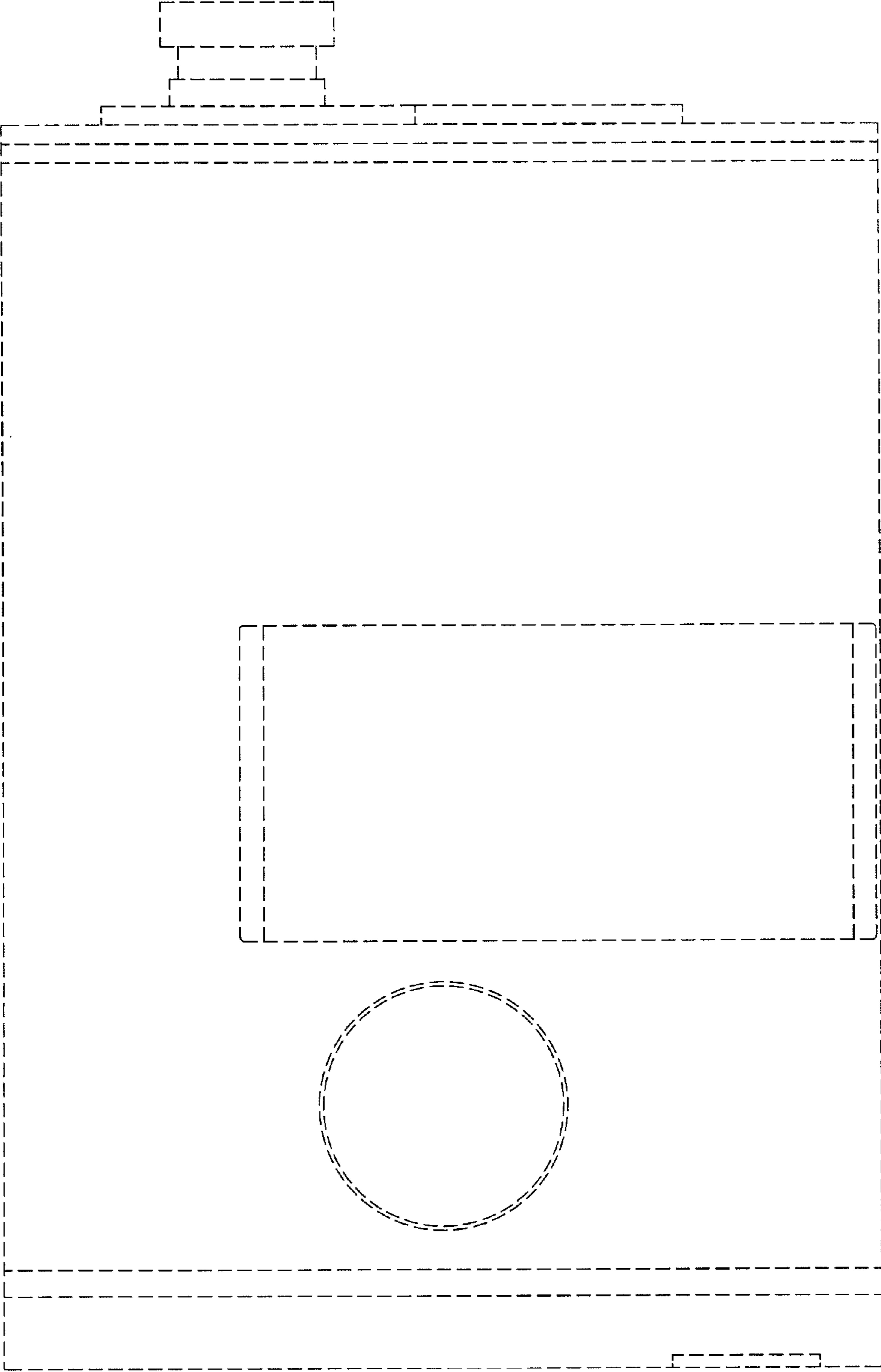


FIG. 6

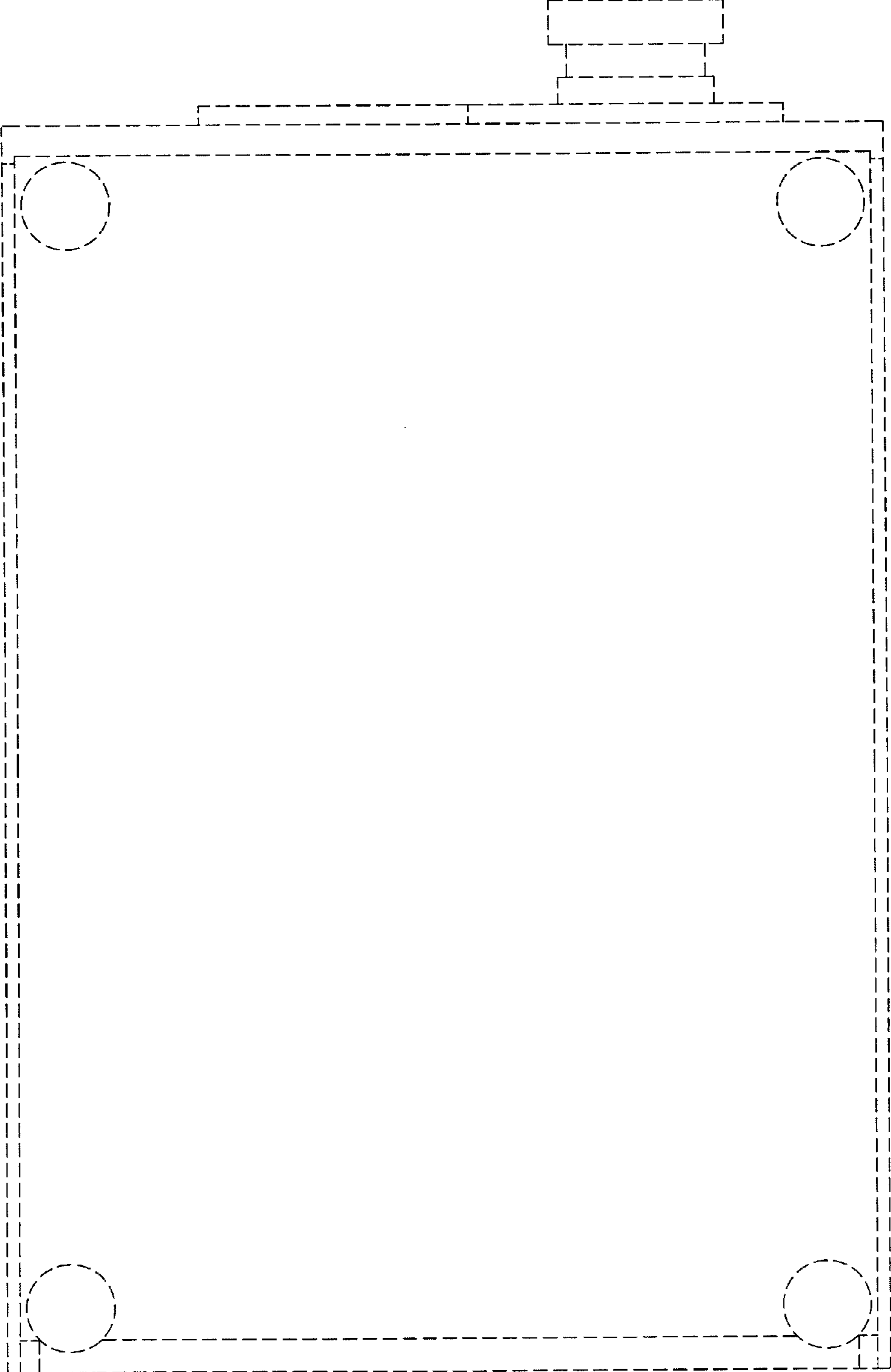


FIG. 7

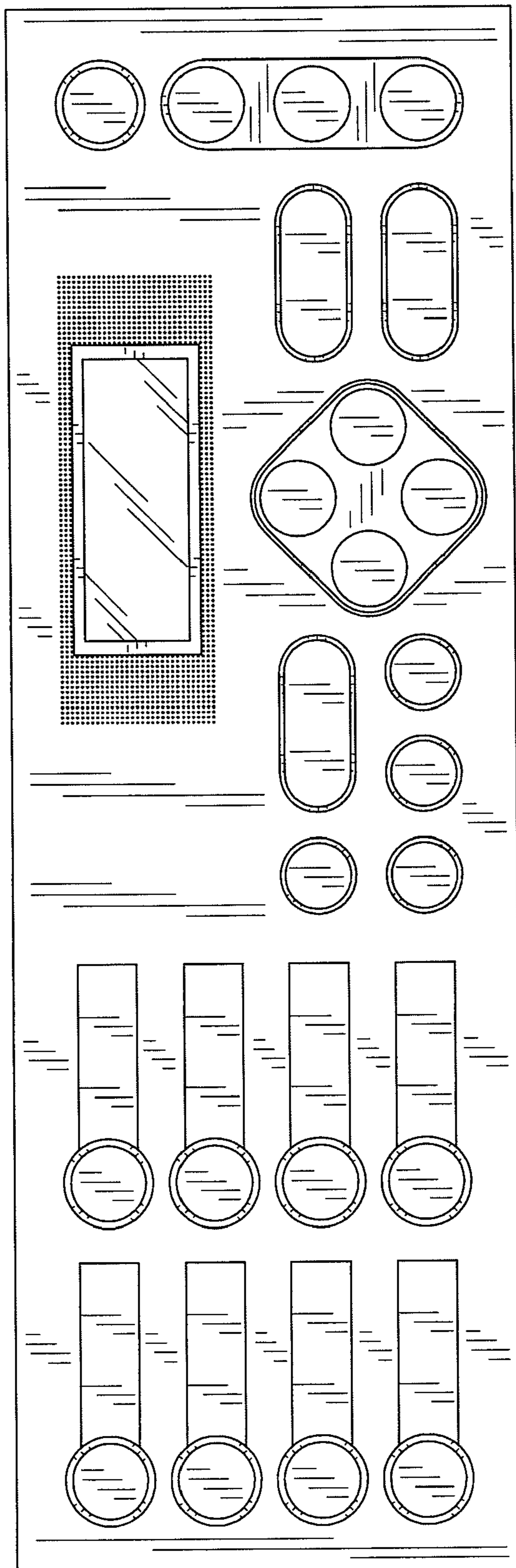


FIG. 8

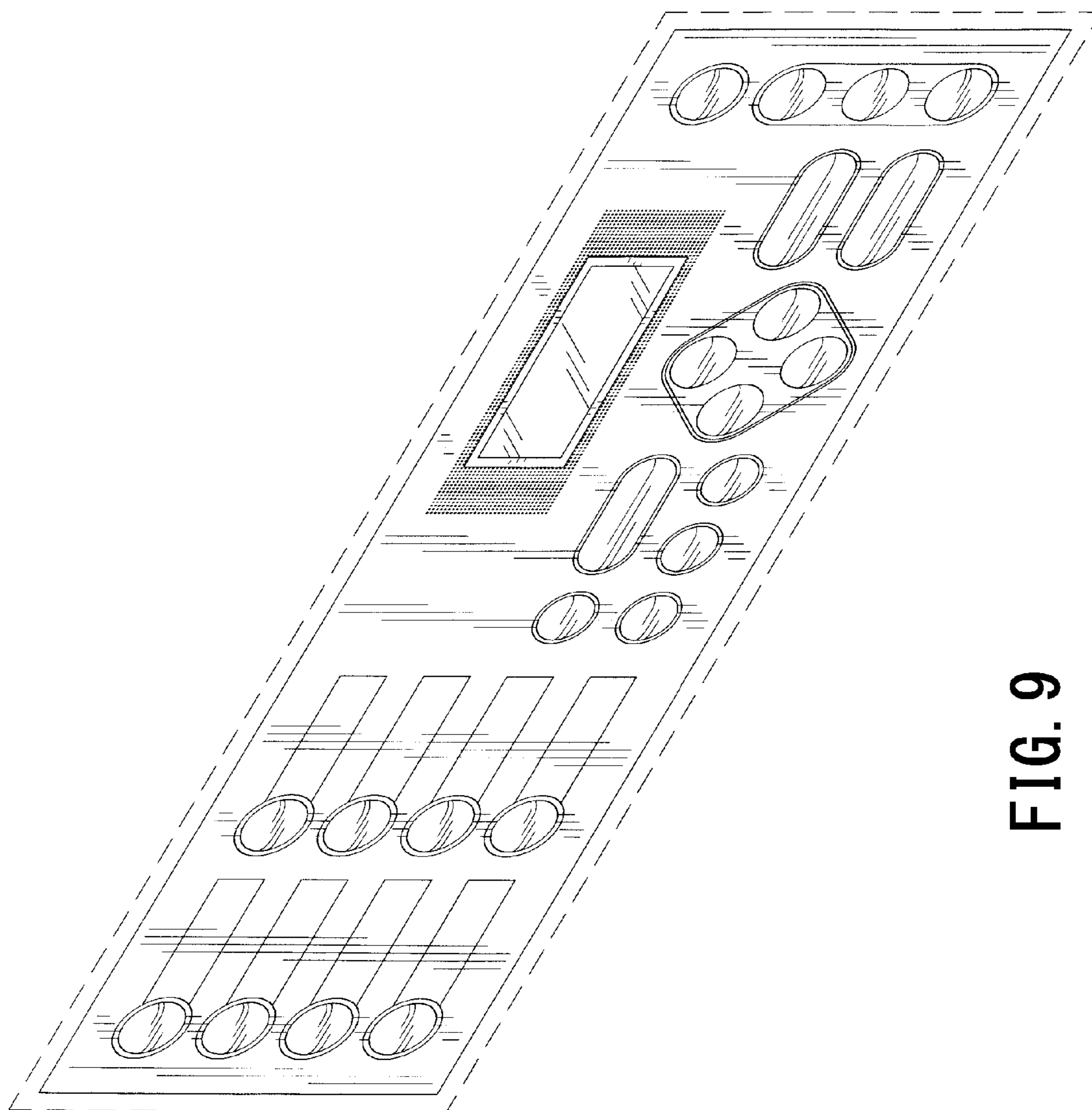


FIG. 9