



US00D627387S

(12) **United States Design Patent**  
**Kawaguchi et al.**

(10) **Patent No.:** **US D627,387 S**  
(45) **Date of Patent:** **\*\* Nov. 16, 2010**

(54) **VIDEO PROJECTOR**

(75) Inventors: **Yuta Kawaguchi**, Funabashi (JP);  
**Masayuki Ohki**, Tokyo (JP); **Sho**  
**Nozue**, Mitaka (JP); **Hiroyuki Inoue**,  
Fujisawa (JP)

(73) Assignee: **Hitachi Consumer Electronics Co.,**  
**Ltd.**, Tokyo (JP)

(\*\*) Term: **14 Years**

(21) Appl. No.: **29/351,039**

(22) Filed: **Nov. 30, 2009**

(30) **Foreign Application Priority Data**

Jun. 12, 2009 (JP) ..... 2009-013375

(51) **LOC (9) Cl.** ..... **16-02**

(52) **U.S. Cl.** ..... **D16/230; D16/225**

(58) **Field of Classification Search** ..... D16/205,  
D16/208, 213, 221, 225, 230-231, 234; D21/514;  
353/115, 119, 122

See application file for complete search history.

(56) **References Cited**

**U.S. PATENT DOCUMENTS**

D464,074 S \* 10/2002 Miyazaki ..... D16/230  
D466,143 S \* 11/2002 Torikai ..... D16/230  
D475,729 S \* 6/2003 Shiota et al. .... D16/230

D479,261 S \* 9/2003 Kawasaki et al. .... D16/230  
D555,185 S \* 11/2007 Nozue et al. .... D16/230  
D555,696 S \* 11/2007 Naruki ..... D16/230  
D575,811 S \* 8/2008 Ohki et al. .... D16/230

\* cited by examiner

*Primary Examiner*—Ian Simmons

*Assistant Examiner*—Wan Laymon

(74) *Attorney, Agent, or Firm*—Antonelli, Terry, Stout &  
Kraus, LLP.

(57) **CLAIM**

We claim the ornamental design for a video projector, as  
shown and described.

**DESCRIPTION**

FIG. 1 is a front, top and right side perspective view of a video  
projector showing our new design;

FIG. 2 is a front elevational view thereof;

FIG. 3 is a rear elevational view thereof;

FIG. 4 is a left side elevational view thereof;

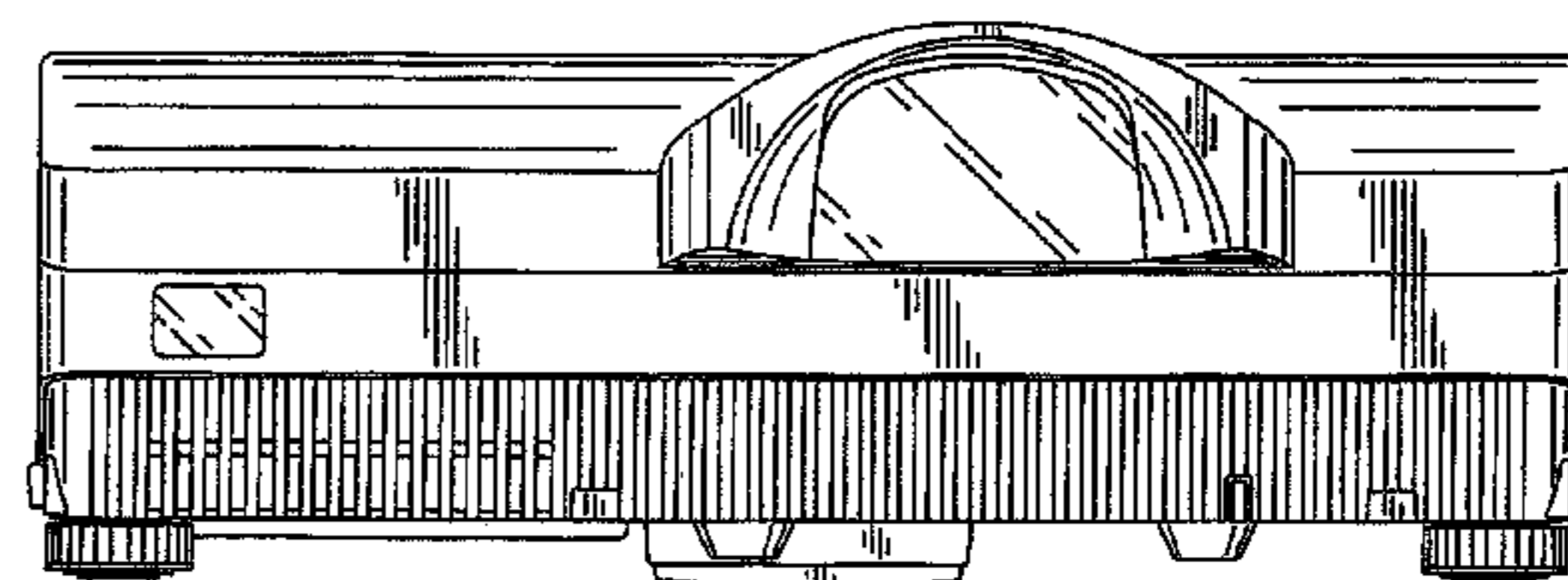
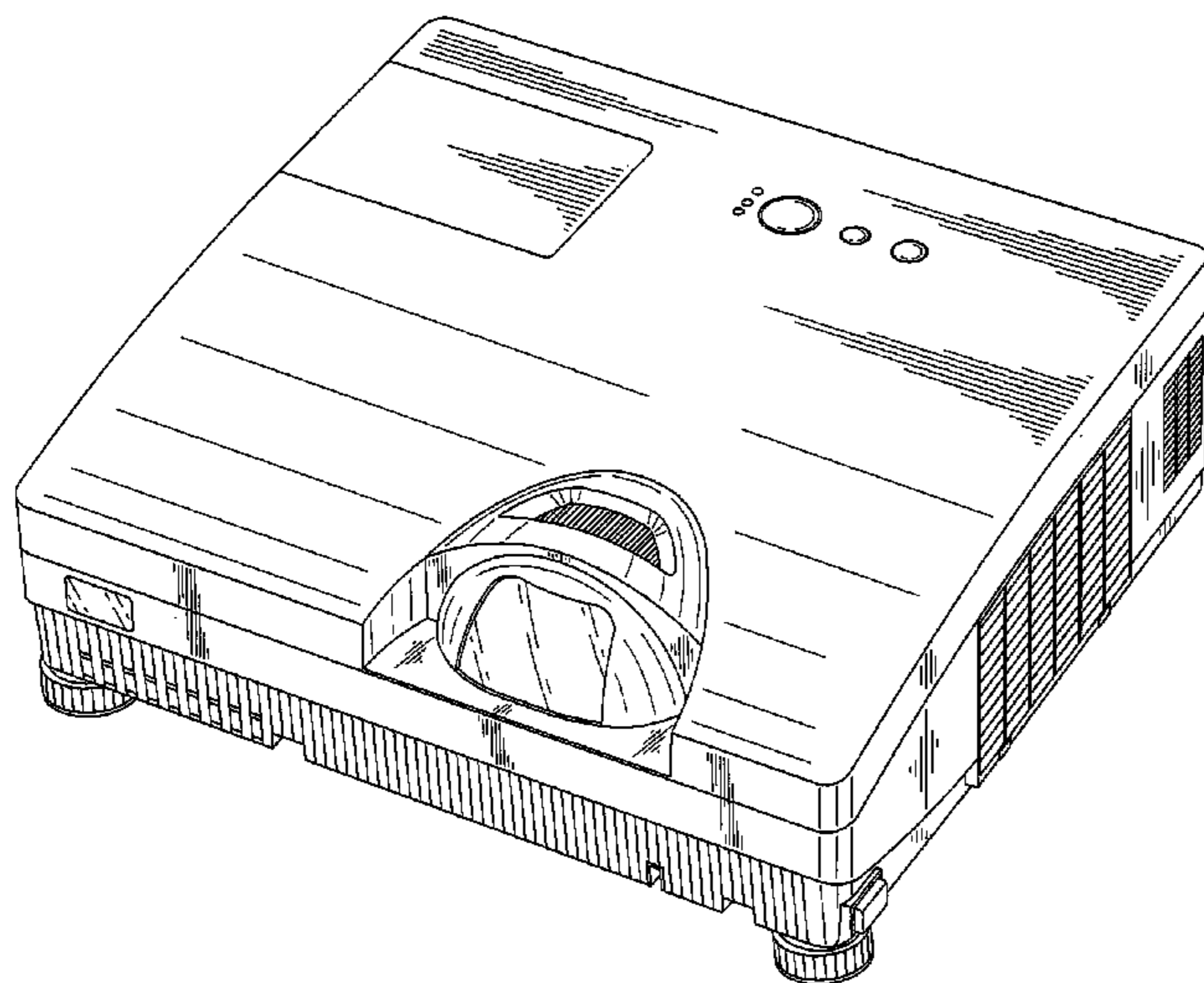
FIG. 5 is a right side elevational view thereof;

FIG. 6 is a top plan view thereof; and,

FIG. 7 is a bottom plan view thereof.

The broken lines in FIGS. 3, 4, and 7 are included for the  
purpose of illustrating portions of the video projector that  
form no part of the claimed design.

**1 Claim, 5 Drawing Sheets**



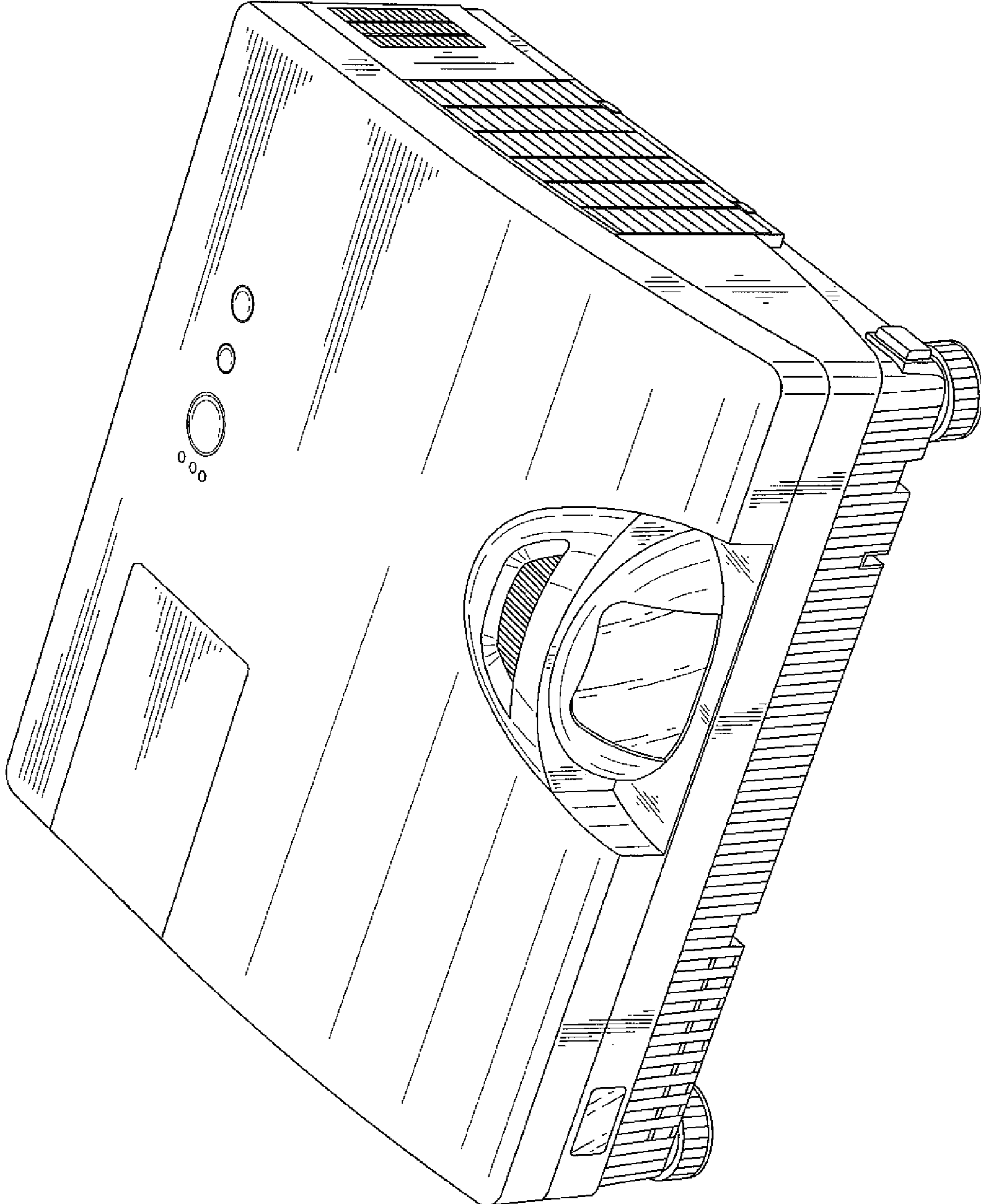


FIG. 1

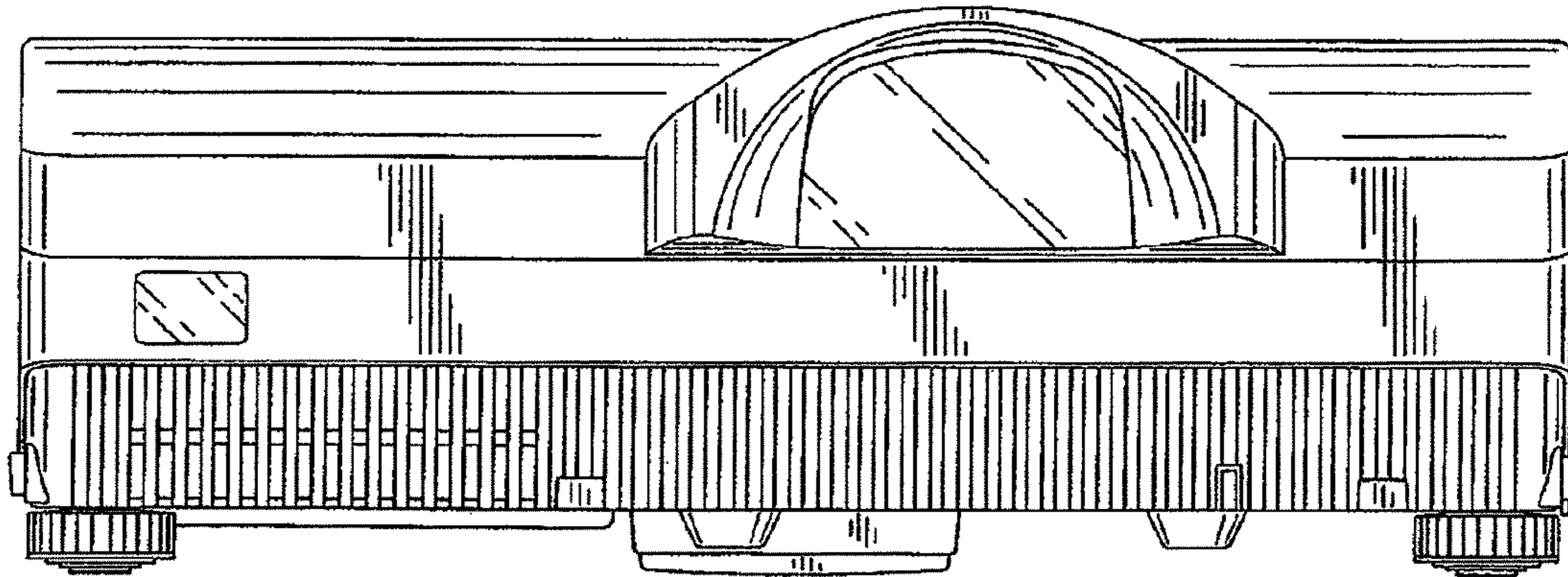


FIG. 2

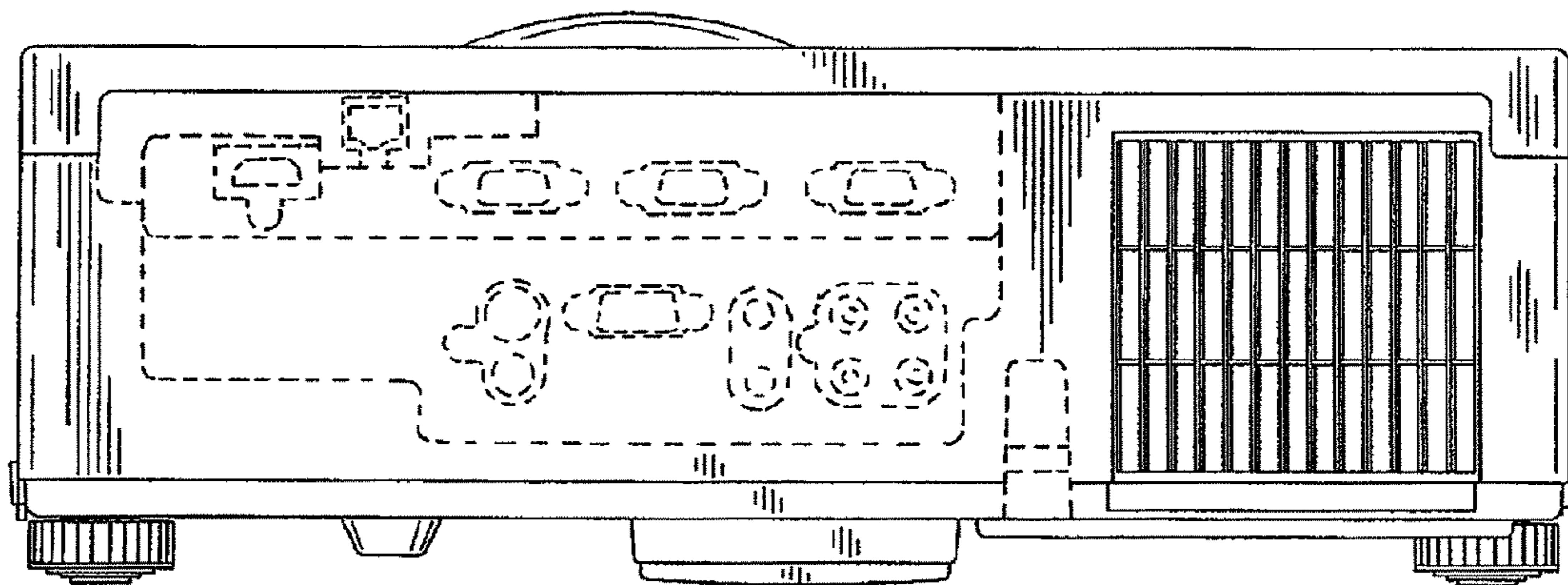
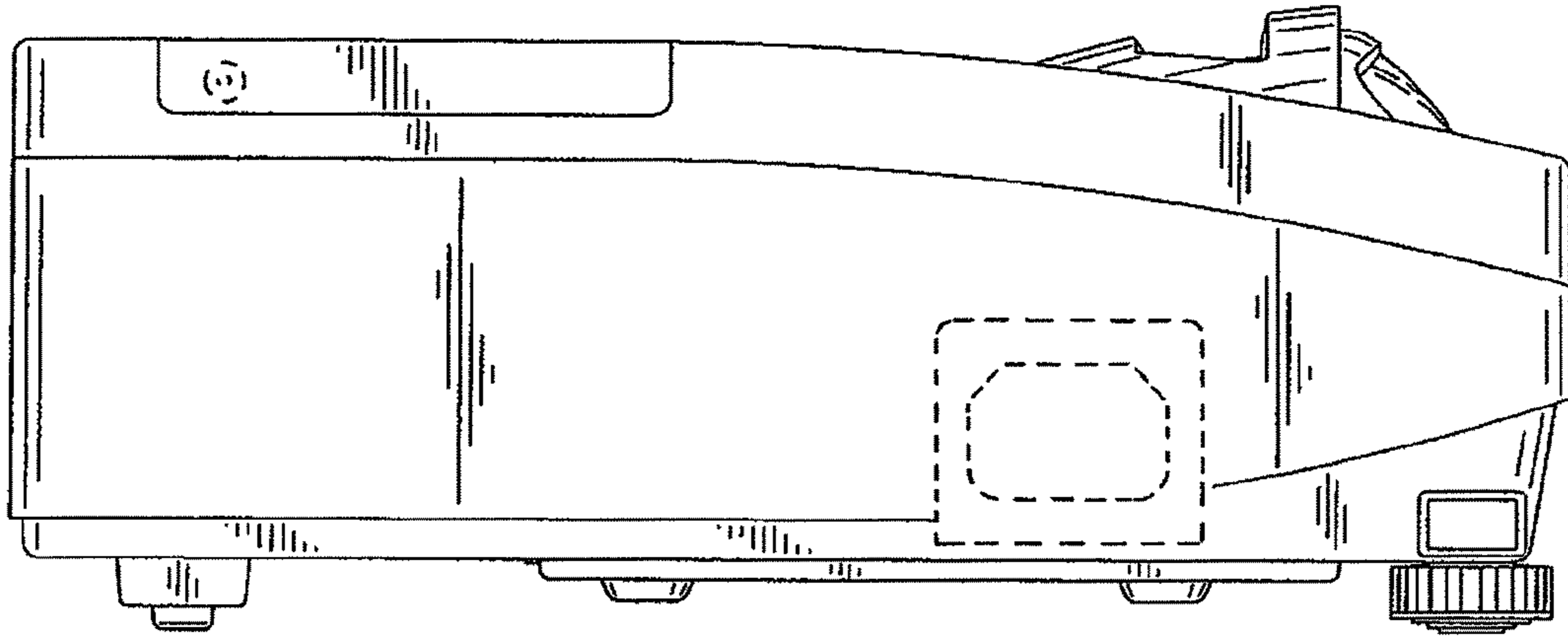
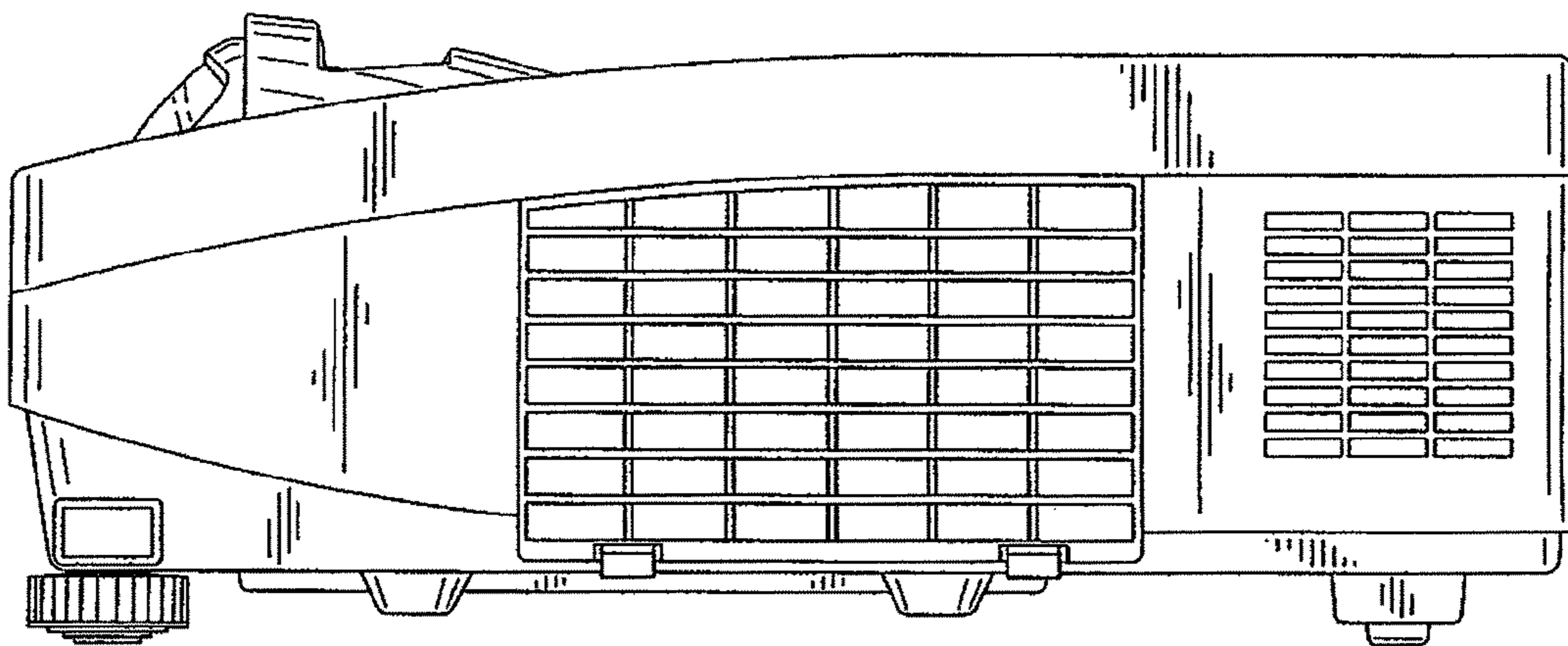


FIG. 3



*FIG. 4*



*FIG. 5*

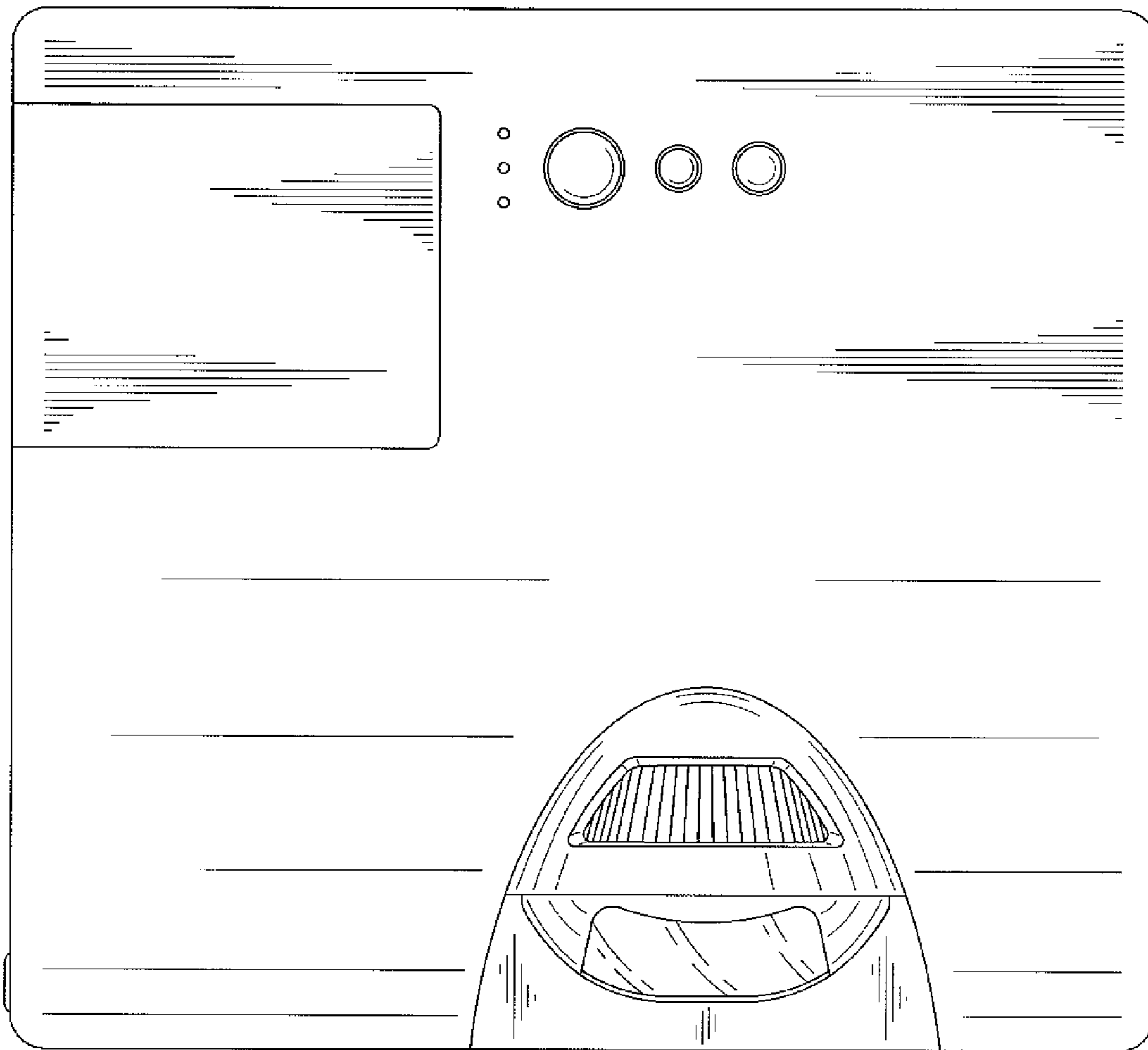


FIG. 6

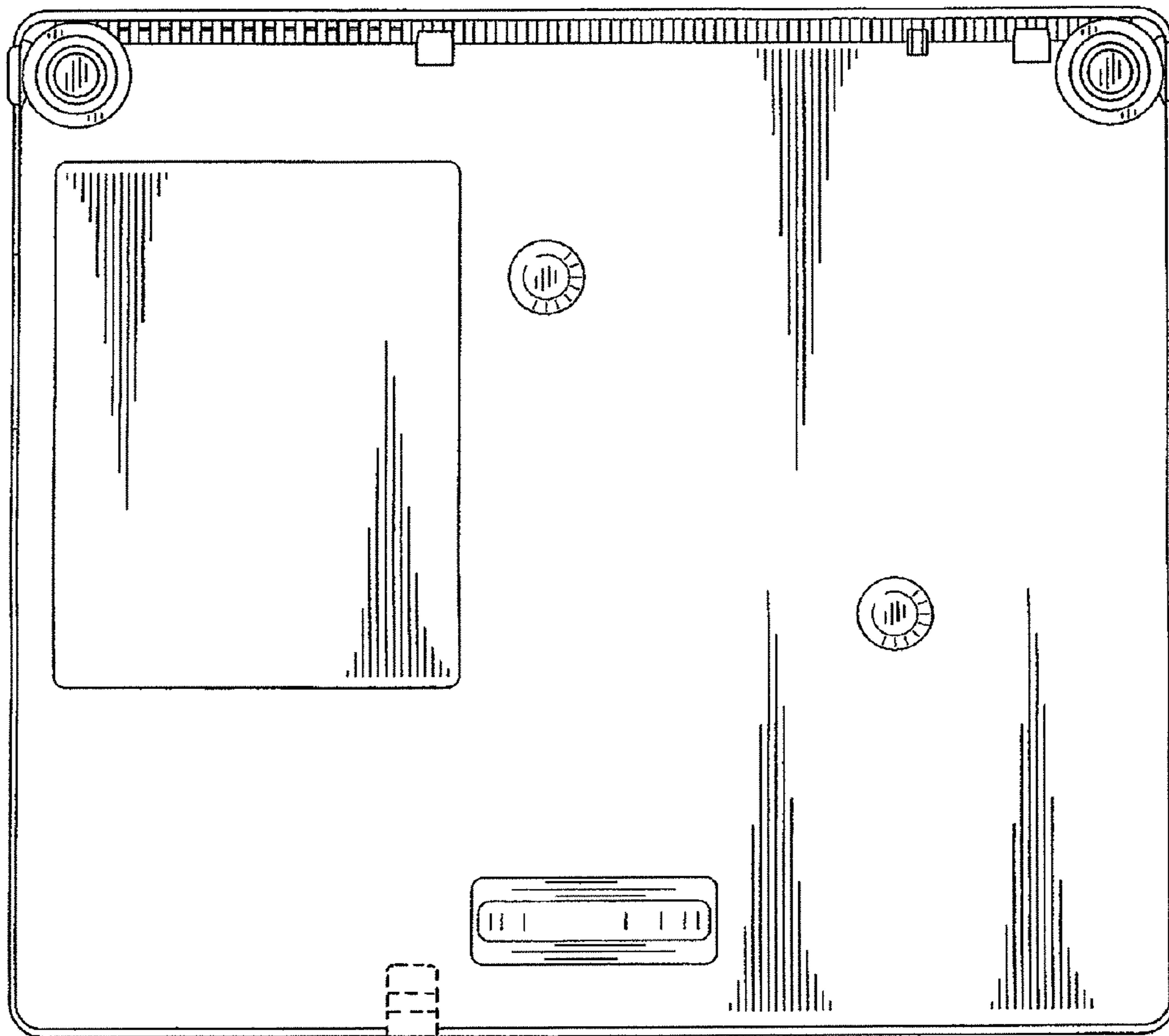


FIG. 7