



US00D627386S

(12) **United States Design Patent**
Kawaguchi et al.

(10) **Patent No.:** **US D627,386 S**

(45) **Date of Patent:** **** Nov. 16, 2010**

(54) **VIDEO PROJECTOR**

(75) Inventors: **Yuta Kawaguchi**, Funabashi (JP);
Masayuki Ohki, Tokyo (JP); **Yoshihiro**
Iwama, Kokubunji (JP); **Kazumasa**
Ueoka, Yokohama (JP); **Atsushi**
Ishibashi, Tokorozawa (JP)

(73) Assignee: **Hitachi Consumer Electronics Co.,**
Ltd., Tokyo (JP)

(**) Term: **14 Years**

(21) Appl. No.: **29/351,033**

(22) Filed: **Nov. 30, 2009**

(30) **Foreign Application Priority Data**

Jun. 12, 2009 (JP) 2009-013376

(51) **LOC (9) Cl.** **16-02**

(52) **U.S. Cl.** **D16/229; D16/225; D16/230**

(58) **Field of Classification Search** D16/205,
D16/208, 213, 221, 225, 230–231, 234, 229;
D21/514; 353/115, 119, 122, 57, 70; D14/128;
352/34, 242–243

See application file for complete search history.

(56) **References Cited**

U.S. PATENT DOCUMENTS

D289,769 S * 5/1987 Geissler D16/229
D360,426 S * 7/1995 Maiefski et al. D16/225
D367,489 S * 2/1996 Katayama D16/229
6,231,191 B1 * 5/2001 Shiraishi et al. 353/119
6,682,197 B2 * 1/2004 Shiraishi et al. 353/57
6,817,720 B2 * 11/2004 Shiraishi et al. 353/61
6,908,198 B2 * 6/2005 Shiraishi et al. 353/119
7,108,382 B2 * 9/2006 Oross 353/119
D564,009 S * 3/2008 Kong et al. D16/230
7,445,342 B2 * 11/2008 Garg 353/119

D602,513 S * 10/2009 Kim et al. D16/229
2009/0086173 A1 * 4/2009 Combs et al. 353/122
2009/0122274 A1 * 5/2009 Saito 353/119

* cited by examiner

Primary Examiner—Ian Simmons

Assistant Examiner—Wan Laymon

(74) *Attorney, Agent, or Firm*—Antonelli, Terry, Stout &
Kraus, LLP.

(57) **CLAIM**

We claim the ornamental design for a video projector, as
shown and described.

DESCRIPTION

FIG. 1 is a front, top and right side perspective view of a video
projector showing our new design;

FIG. 2 is a front elevational view thereof;

FIG. 3 is a rear elevational view thereof;

FIG. 4 is a left side elevational view thereof;

FIG. 5 is a right side elevational view thereof;

FIG. 6 is a top plan view thereof;

FIG. 7 is a bottom plan view thereof;

FIG. 8 is a front elevational view in an operating position
thereof;

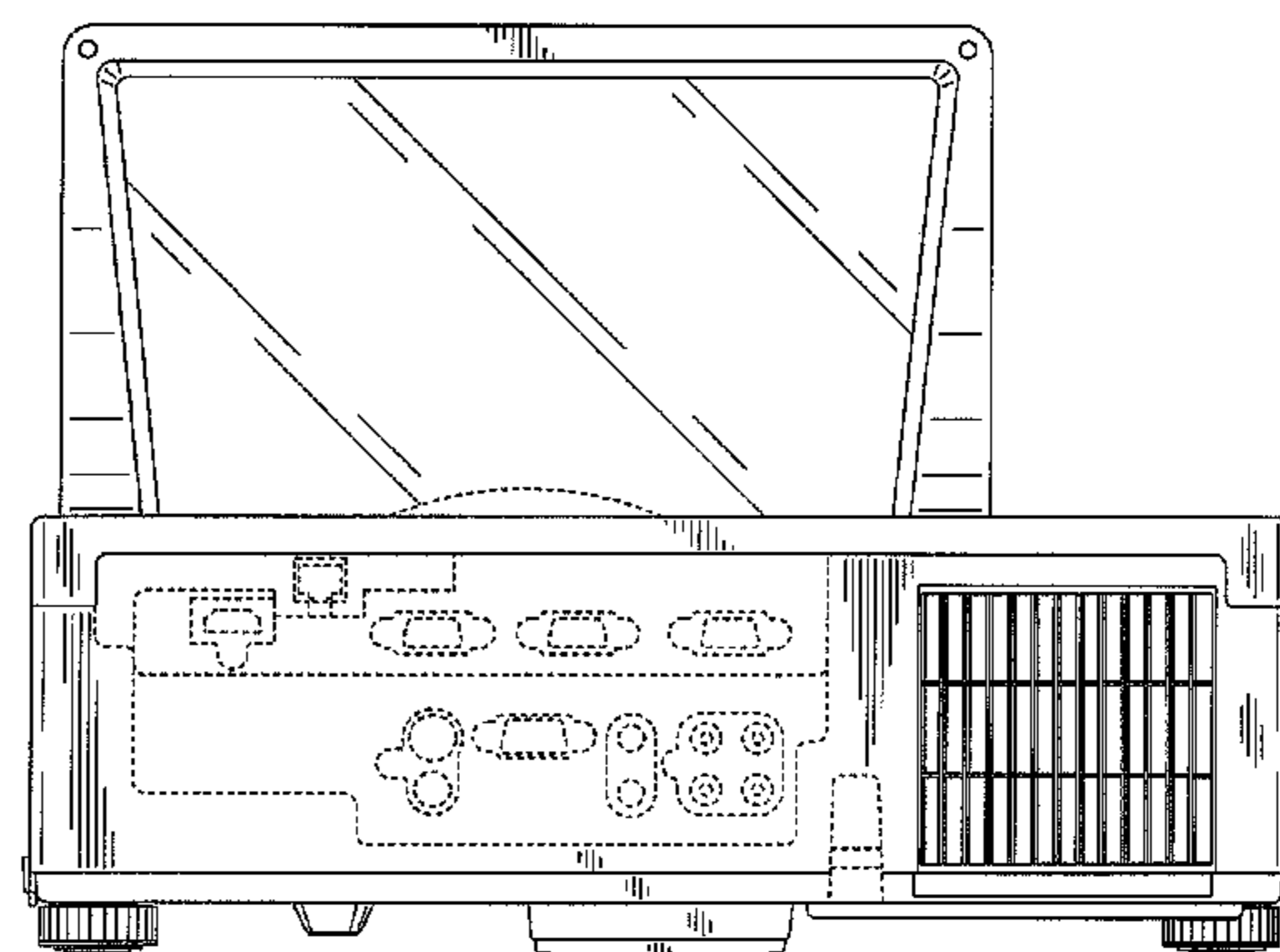
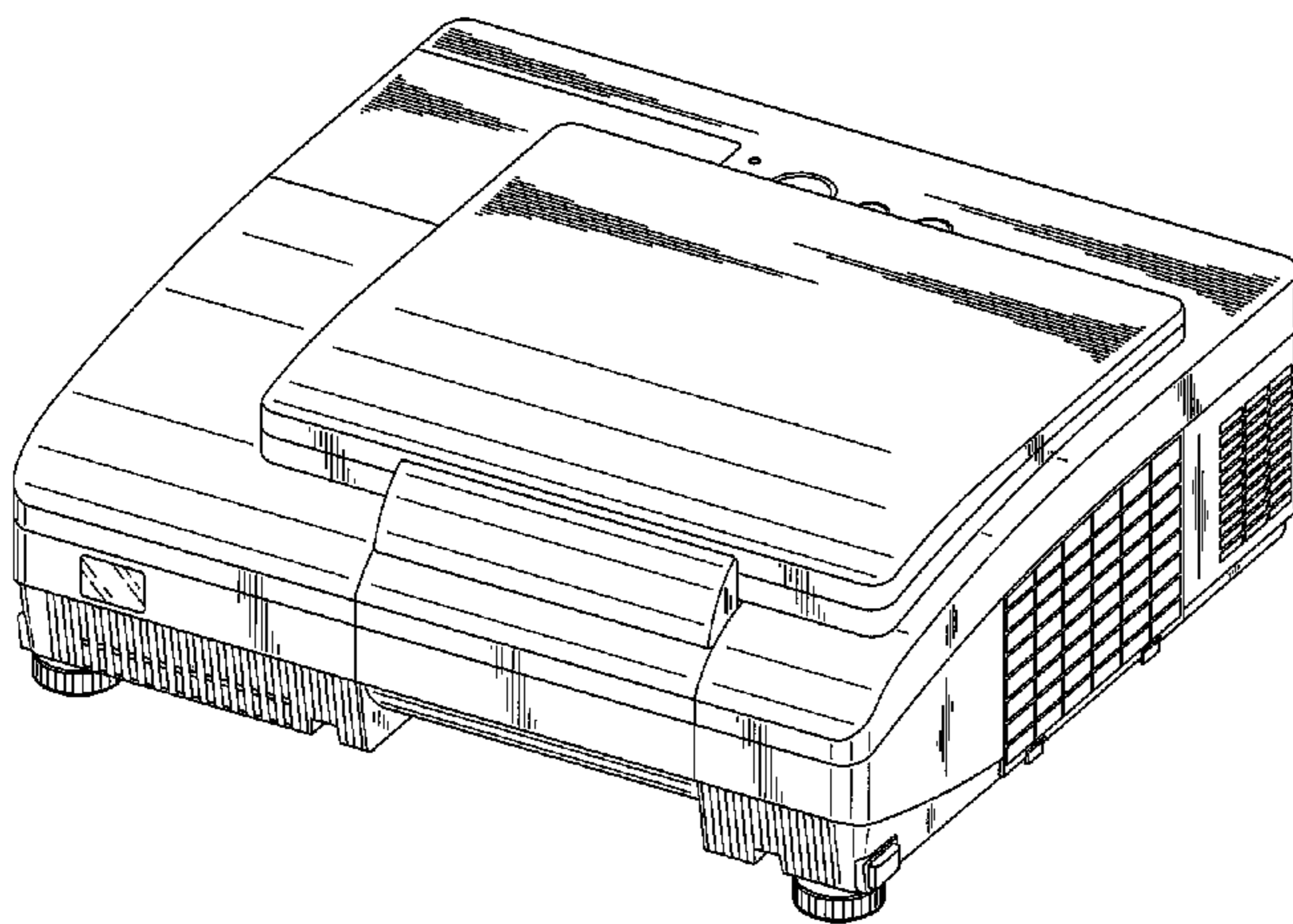
FIG. 9 is a rear elevational view in an operating position
thereof;

FIG. 10 is a right side elevational view in an operating posi-
tion thereof; and,

FIG. 11 is a top plan view in an operating position thereof.

The broken lines in the Figures are included for the purpose of
illustrating portions of the video projector that form no part of
the claimed design.

1 Claim, 9 Drawing Sheets



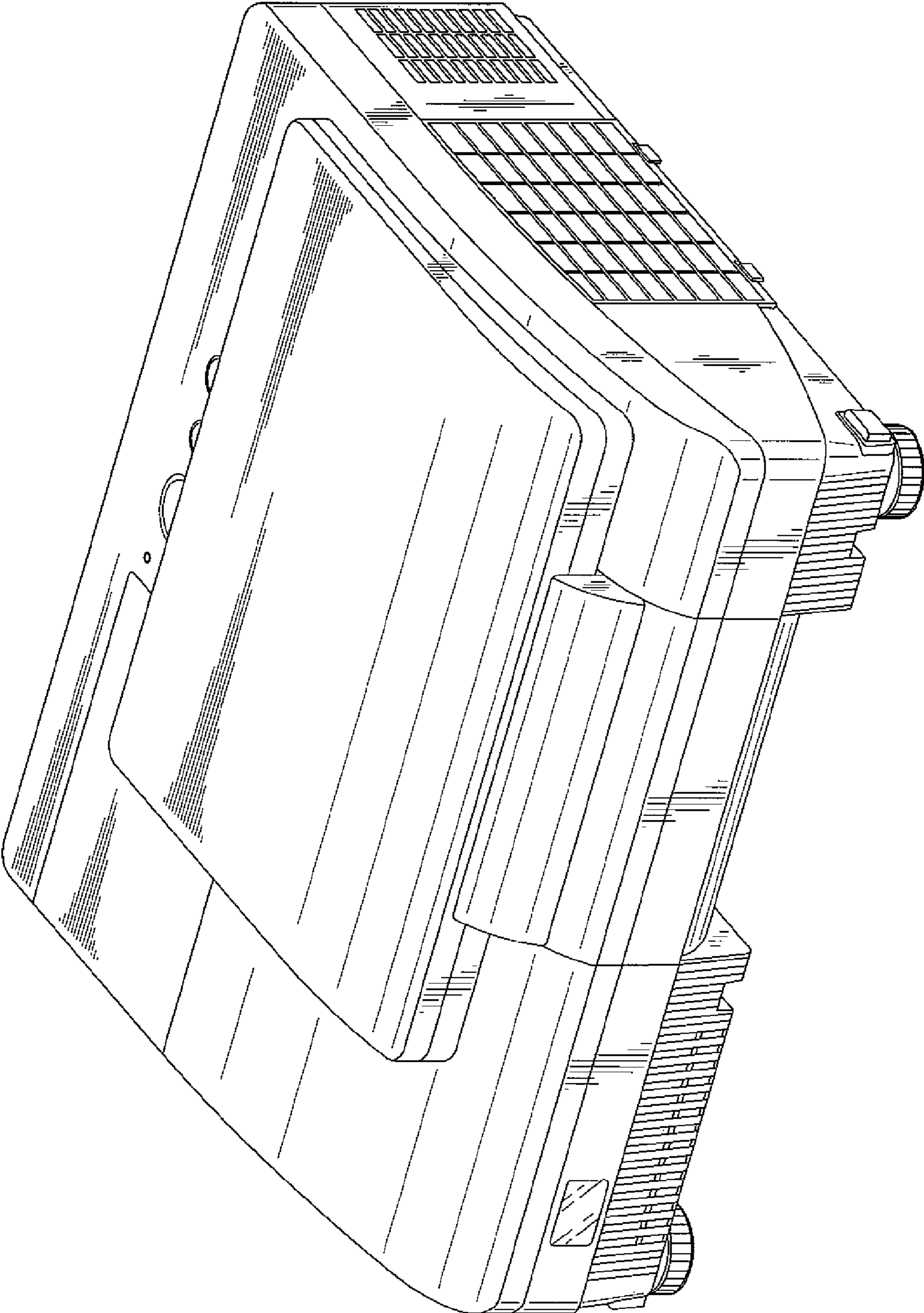


FIG. 1

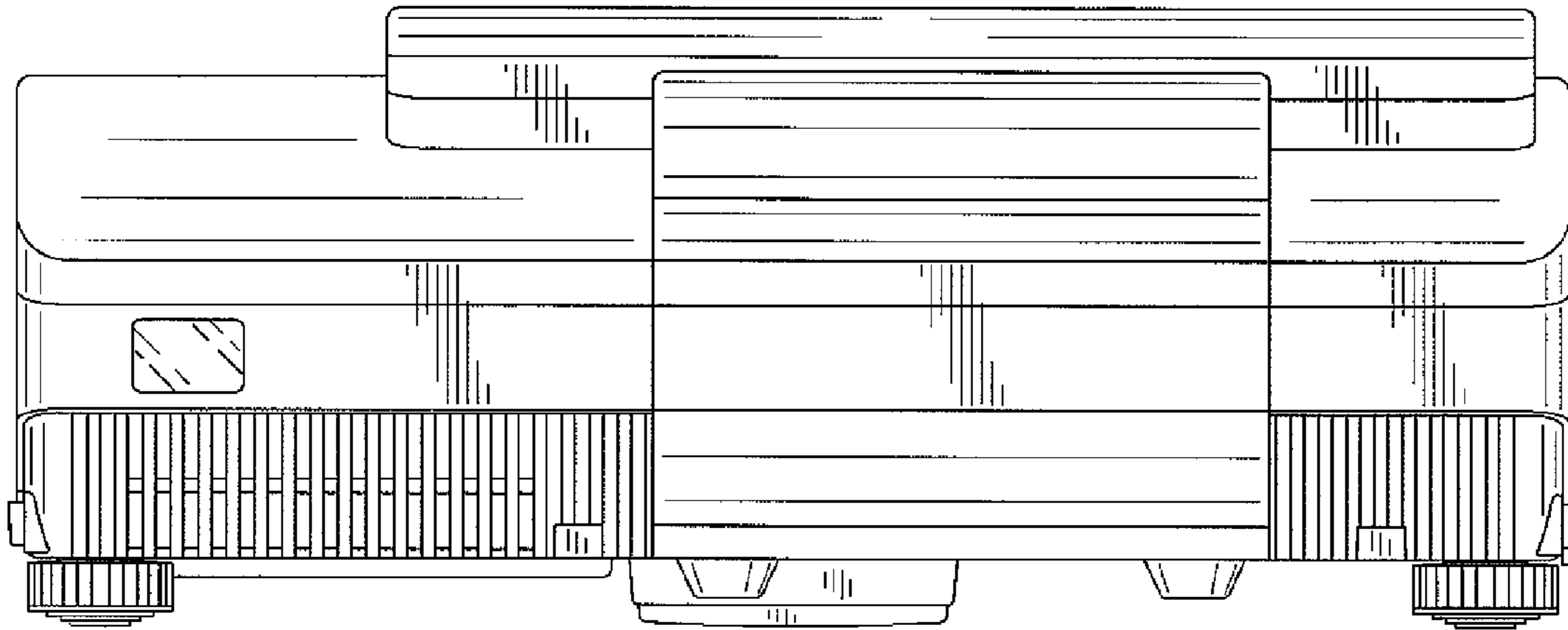


FIG. 2

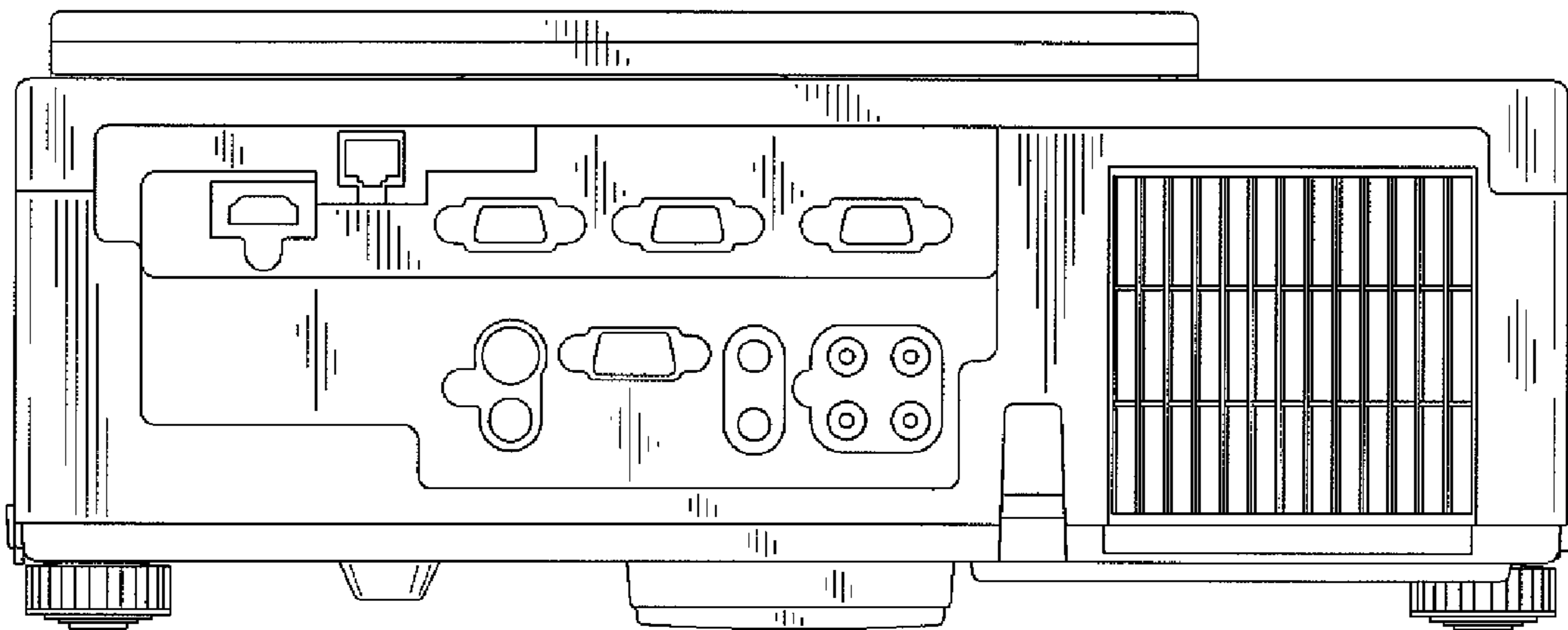


FIG. 3

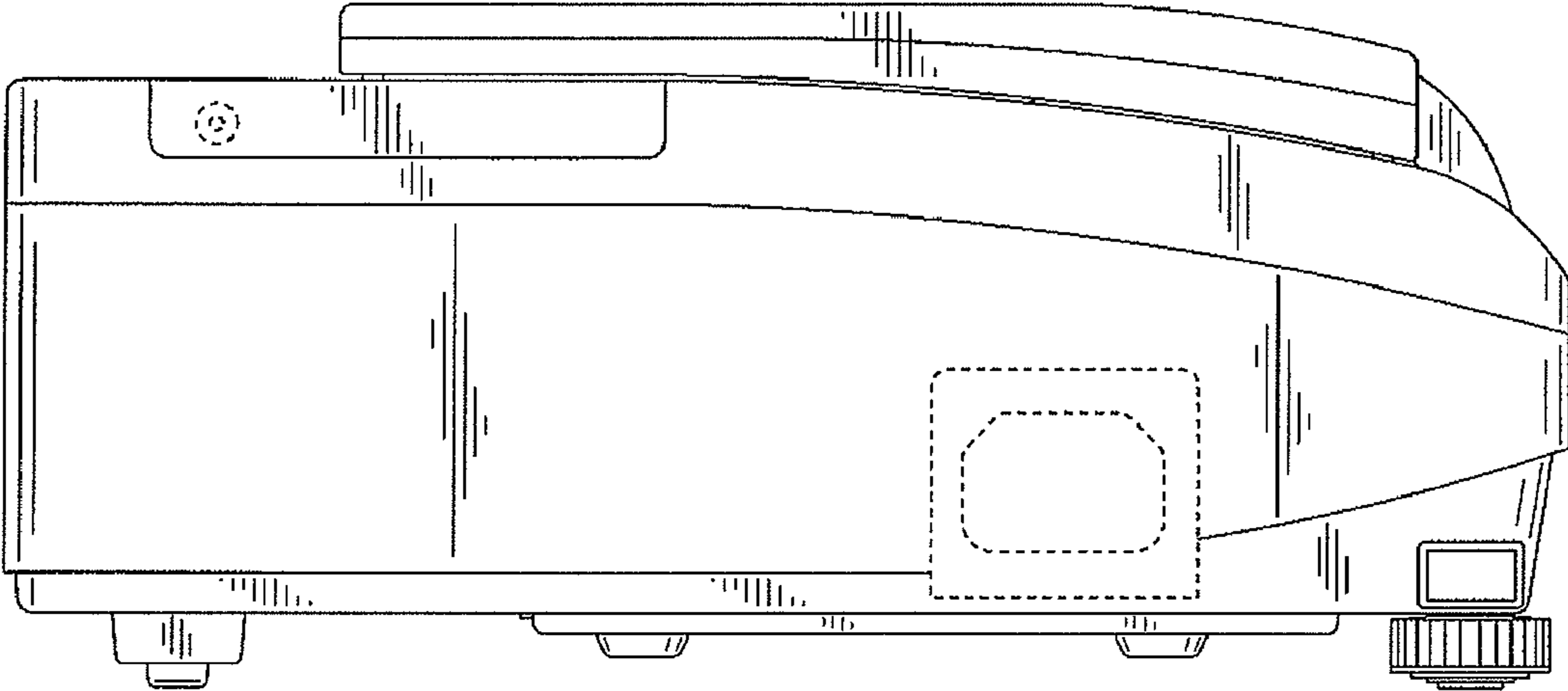


FIG. 4

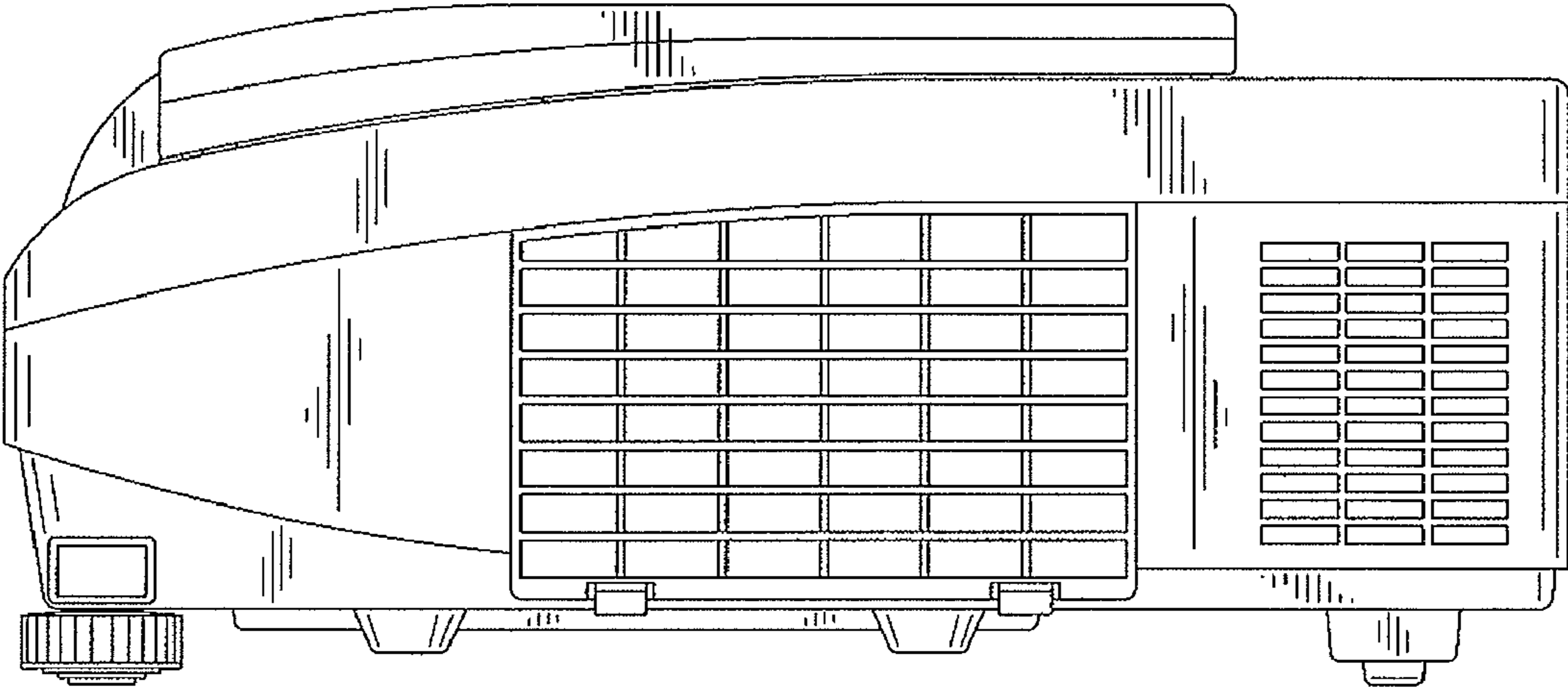


FIG. 5

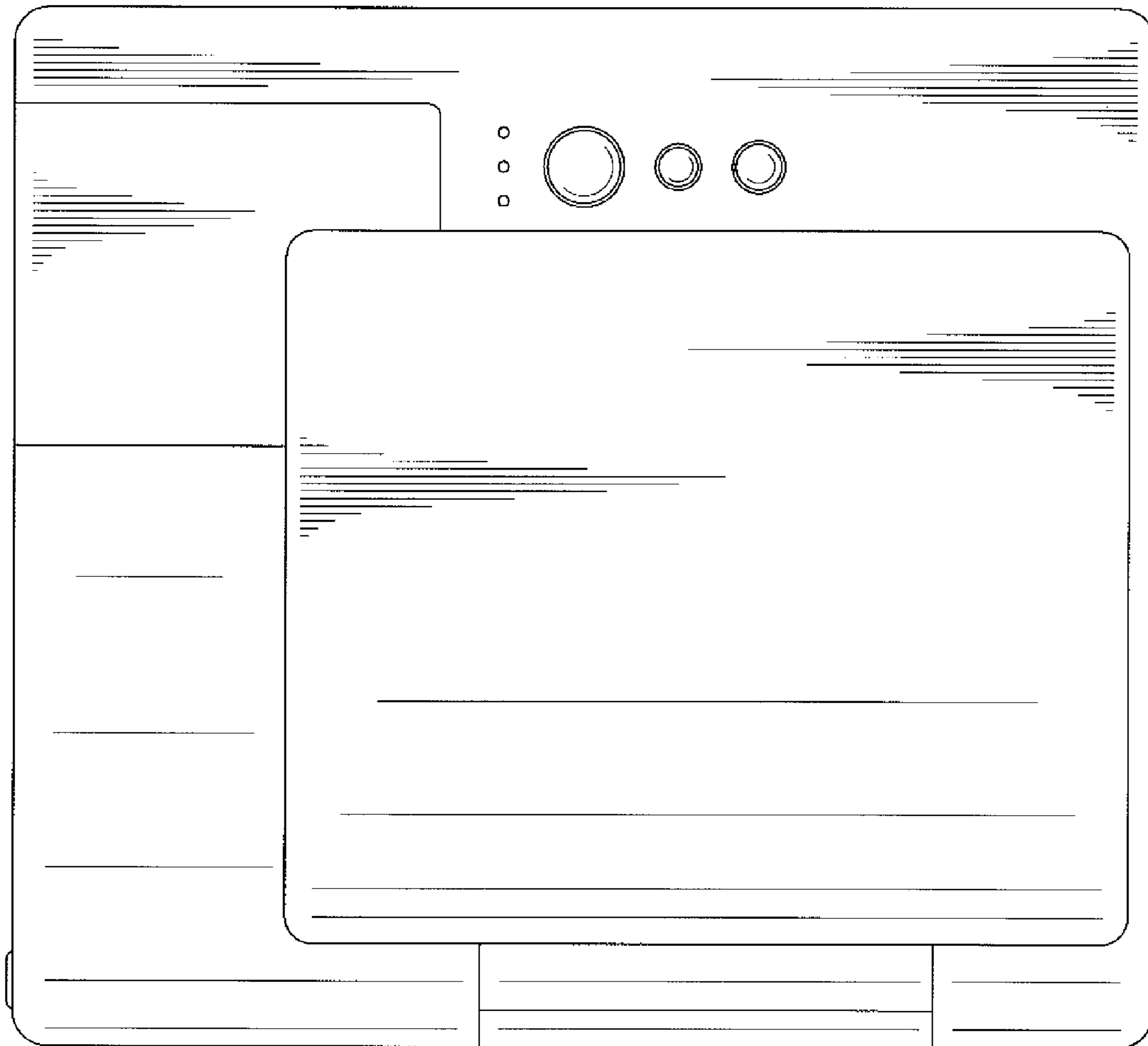


FIG. 6

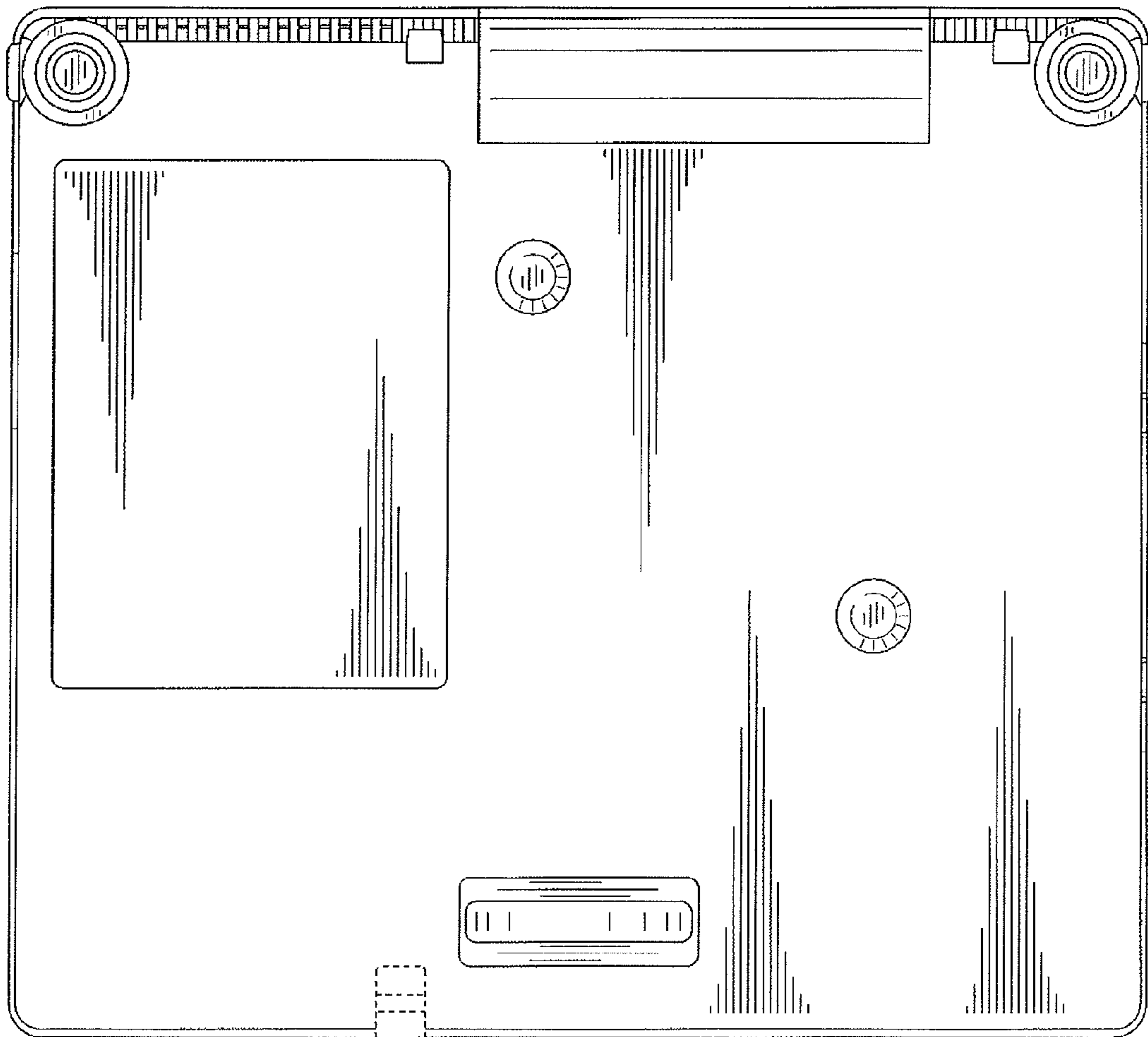


FIG. 7



FIG. 8

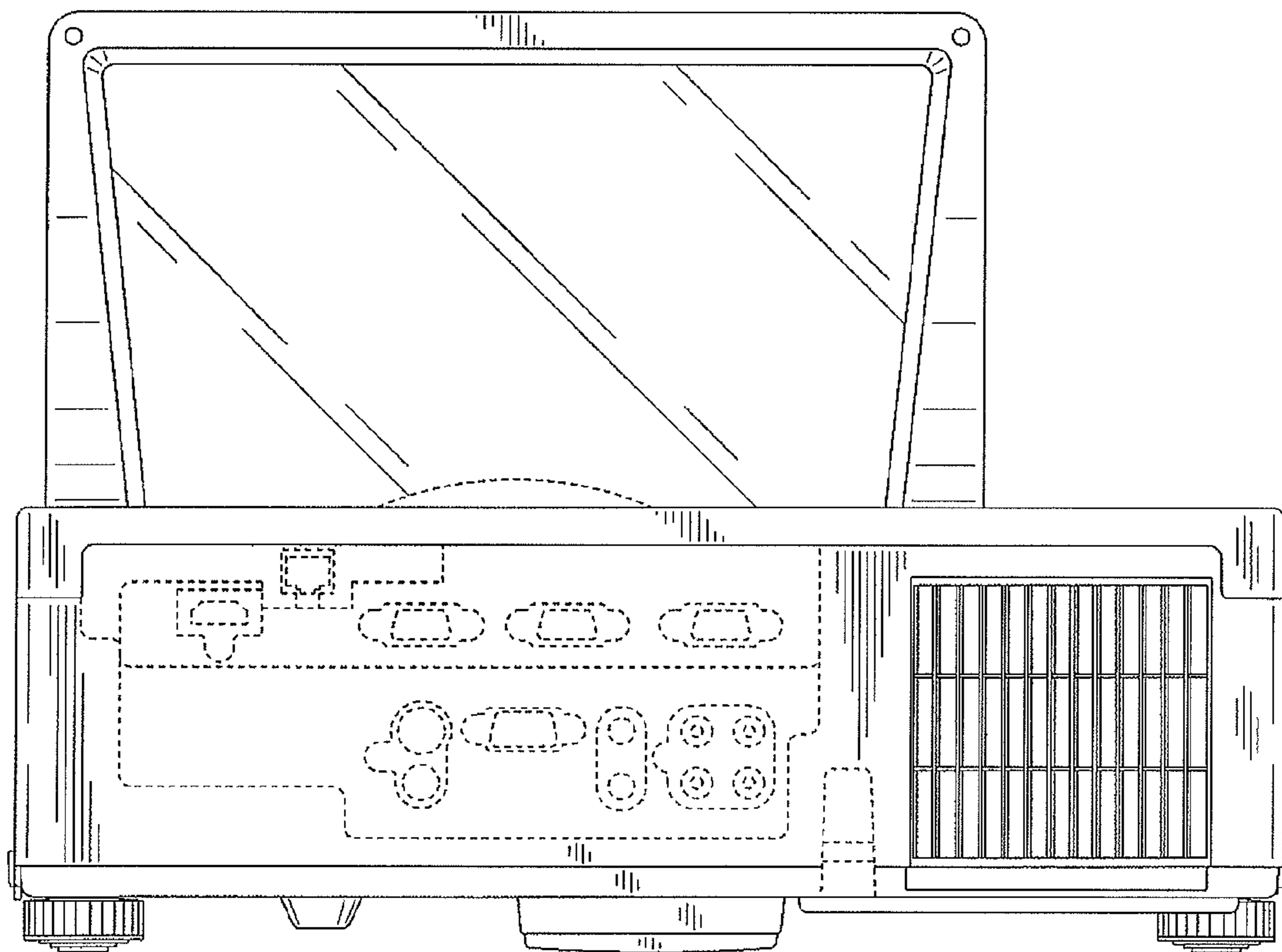


FIG. 9

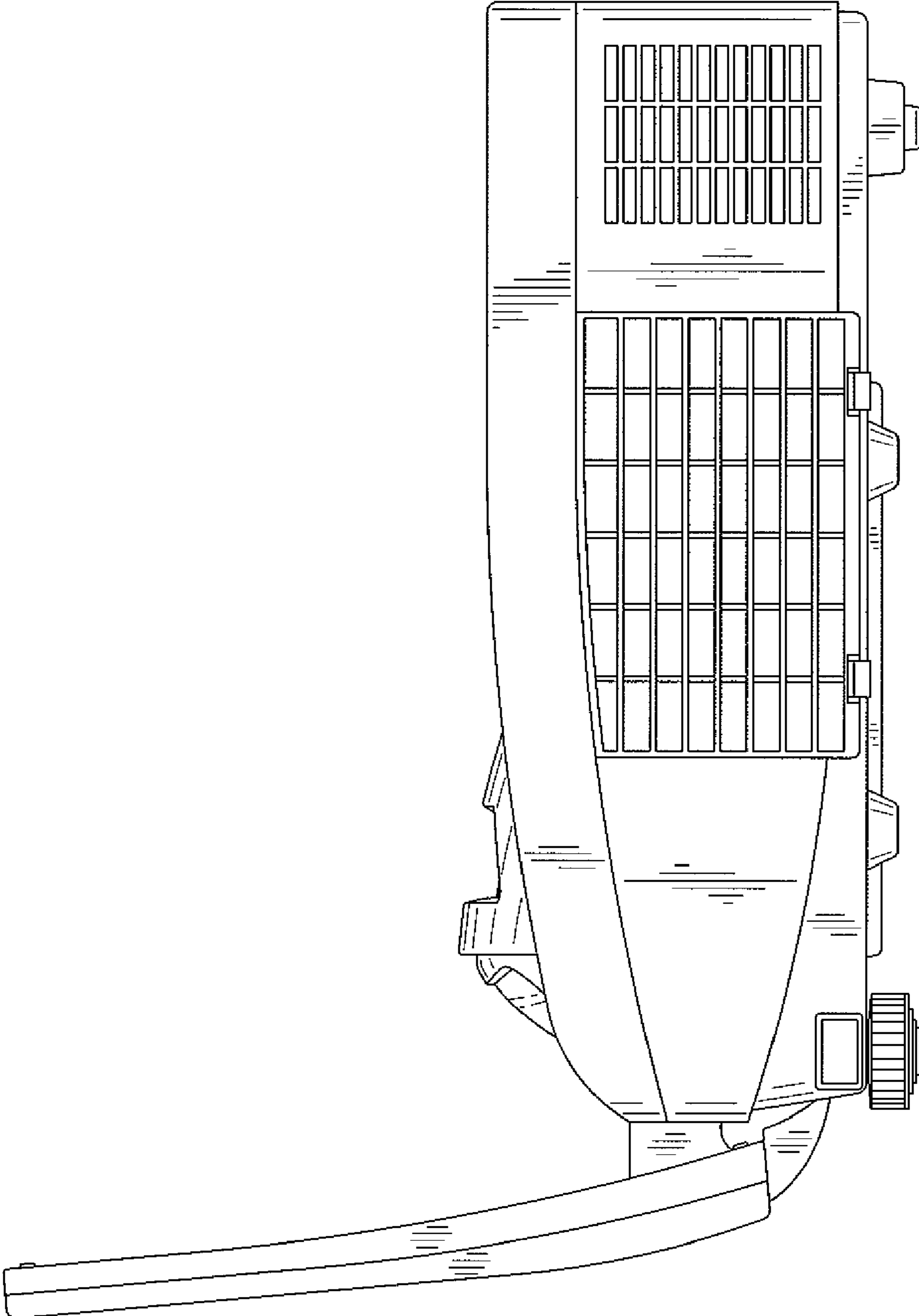


FIG. 10

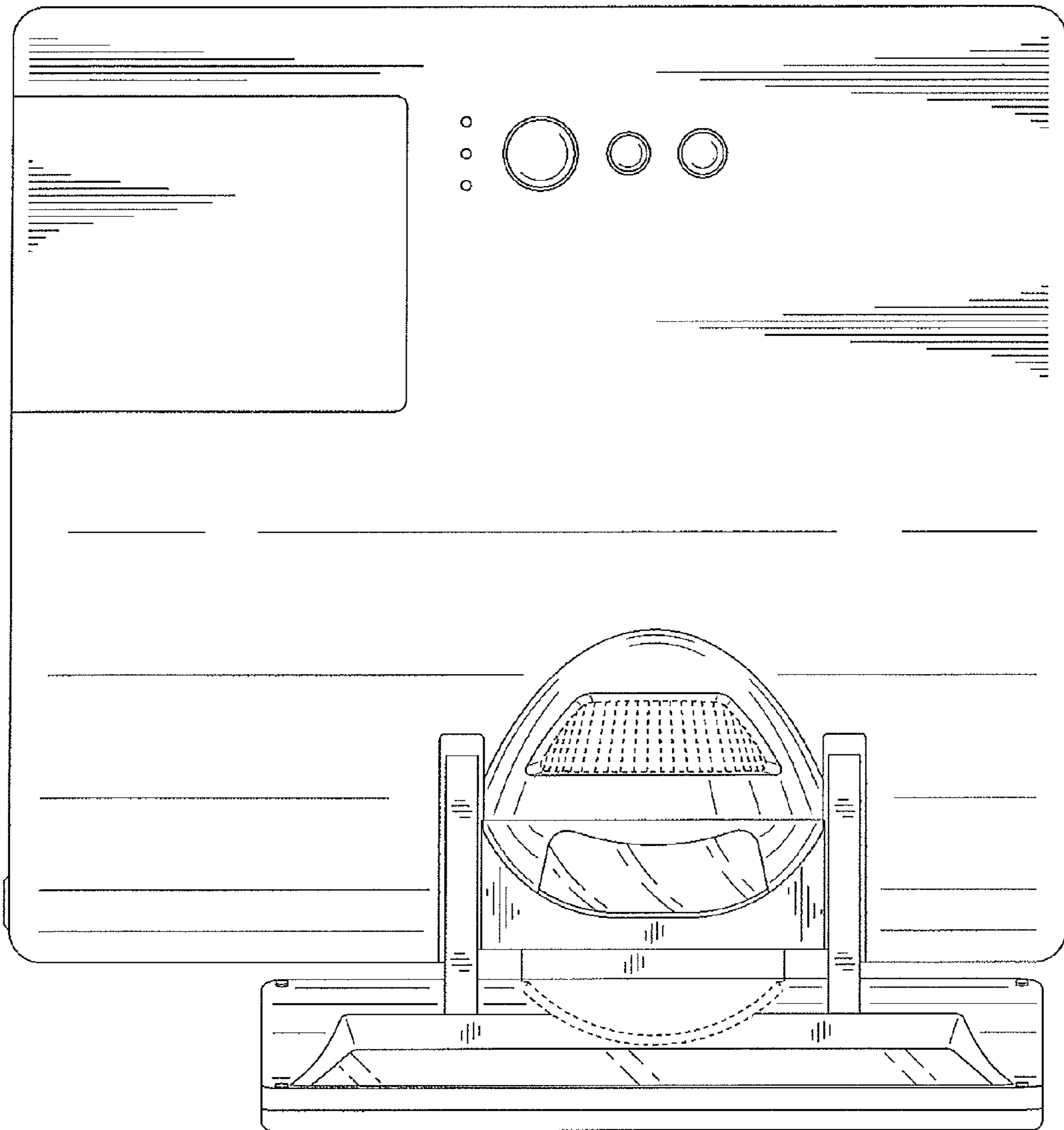


FIG. 11