



US00D627384S

(12) **United States Design Patent**
Sumii

(10) **Patent No.:** **US D627,384 S**

(45) **Date of Patent:** **** Nov. 16, 2010**

(54) **CAMERA**

(75) Inventor: **Tetsu Sumii**, Tokyo (JP)

(73) Assignee: **Sony Corporation**, Tokyo (JP)

(**) Term: **14 Years**

(21) Appl. No.: **29/347,256**

(22) Filed: **Nov. 13, 2009**

(30) **Foreign Application Priority Data**

May 14, 2009 (EM) 001512575-0004

(51) **LOC (9) Cl.** **16-05**

(52) **U.S. Cl.** **D16/219**

(58) **Field of Classification Search** D16/200–204,
D16/217, 218, 219; 348/373–376; 358/909.1;
396/177, 535–541
See application file for complete search history.

(56) **References Cited**

U.S. PATENT DOCUMENTS

D304,838 S	11/1989	Yamamoto	
D388,109 S	12/1997	Kimura et al.	
D411,218 S	6/1999	Kumakura et al.	
D451,940 S	12/2001	Haga	
6,351,609 B1 *	2/2002	Hosokawa et al.	396/177
D480,743 S	10/2003	Matsumura et al.	
D480,744 S	10/2003	Matsumura et al.	
D481,409 S	10/2003	Matsumura et al.	
D482,713 S	11/2003	Hayashi	
D491,593 S *	6/2004	Haga	D16/202
D524,346 S *	7/2006	Haga	D16/217
D524,351 S *	7/2006	Haga	D16/219

D536,358 S *	2/2007	Hanafusa	D16/219
D558,806 S	1/2008	Nakamura	
D561,799 S	2/2008	Bai	
D564,561 S	3/2008	Takahashi	
D566,157 S *	4/2008	Naito et al.	D16/219
D568,363 S	5/2008	Funakoshi	
D581,962 S *	12/2008	Takagi	D16/219
D597,579 S	8/2009	Obata	

FOREIGN PATENT DOCUMENTS

JP	D1161812 S	12/2002
JP	D1242348 S	6/2005

* cited by examiner

Primary Examiner—Adir Aronovich

(74) *Attorney, Agent, or Firm*—Rader, Fishman & Grauer PLLC

(57) **CLAIM**

The ornamental design for a camera, as shown and described.

DESCRIPTION

FIG. 1 is a top and front perspective view of a camera showing my new design;

FIG. 2 is a front elevational view thereof;

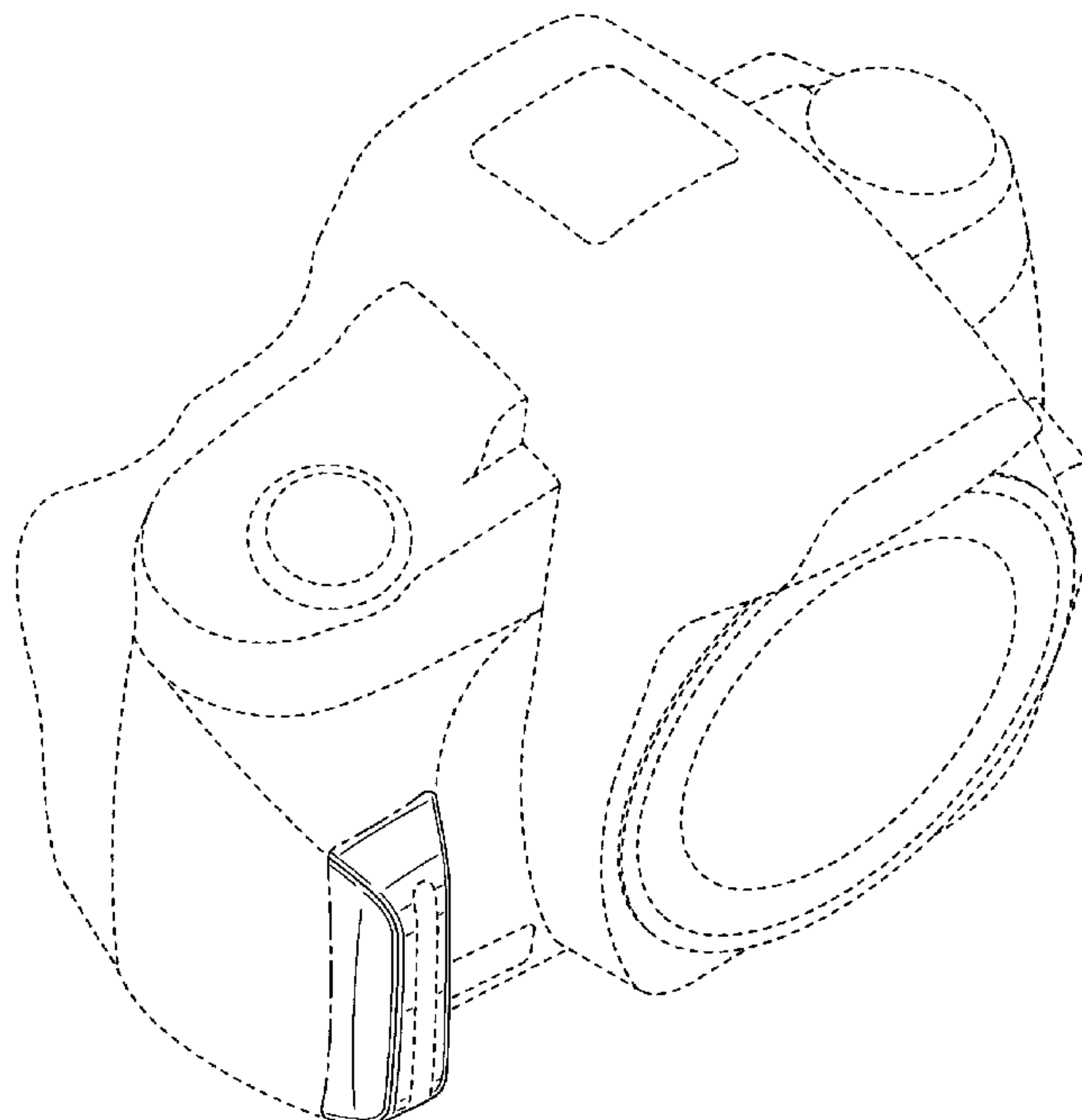
FIG. 3 is a right side elevational view thereof;

FIG. 4 is a top plan view thereof; and,

FIG. 5 is a bottom plan view thereof.

Portions of the figures that are shown as broken lines are for illustrative purpose only and form no part of the claimed design.

1 Claim, 5 Drawing Sheets



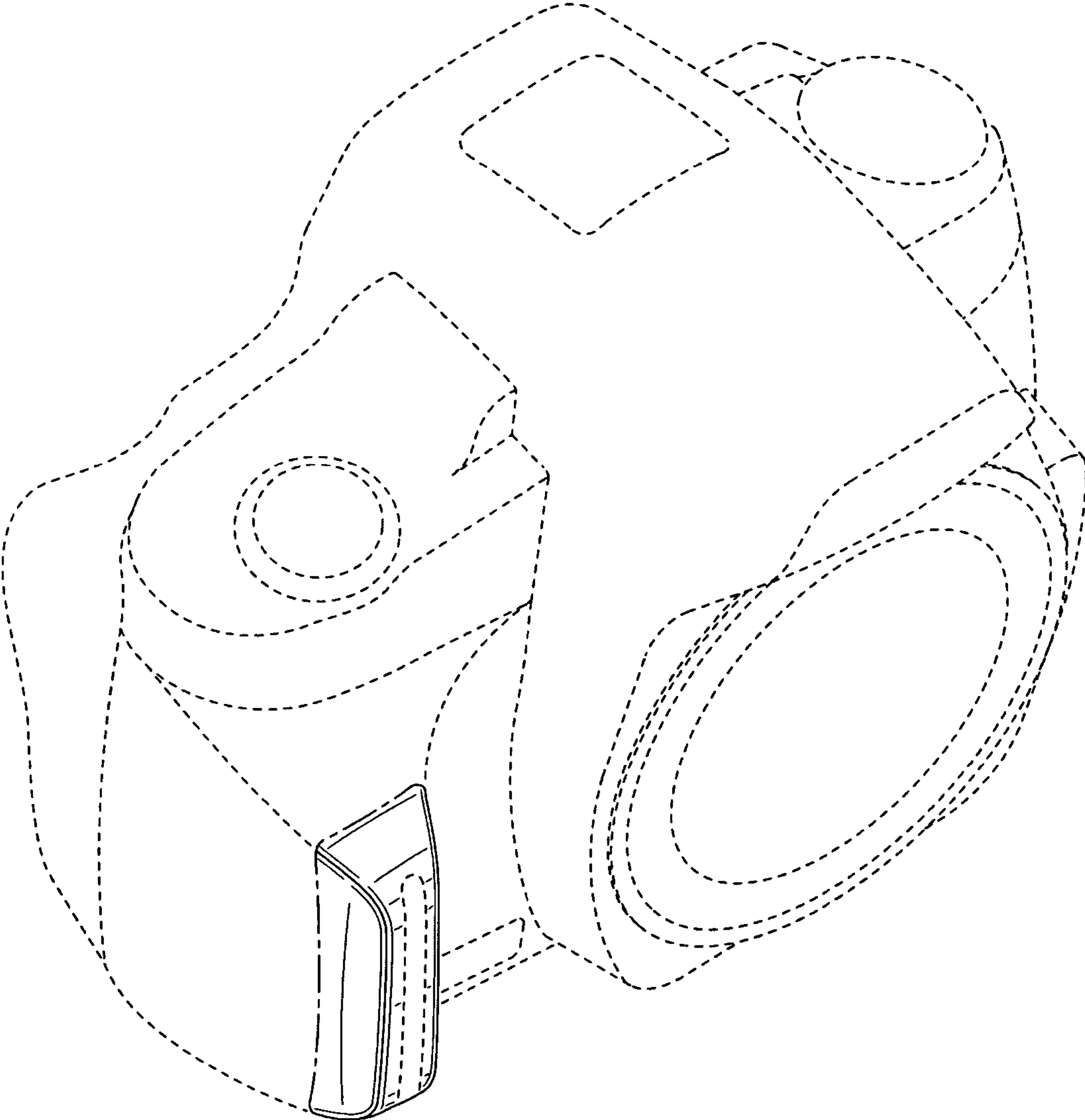


FIG.1

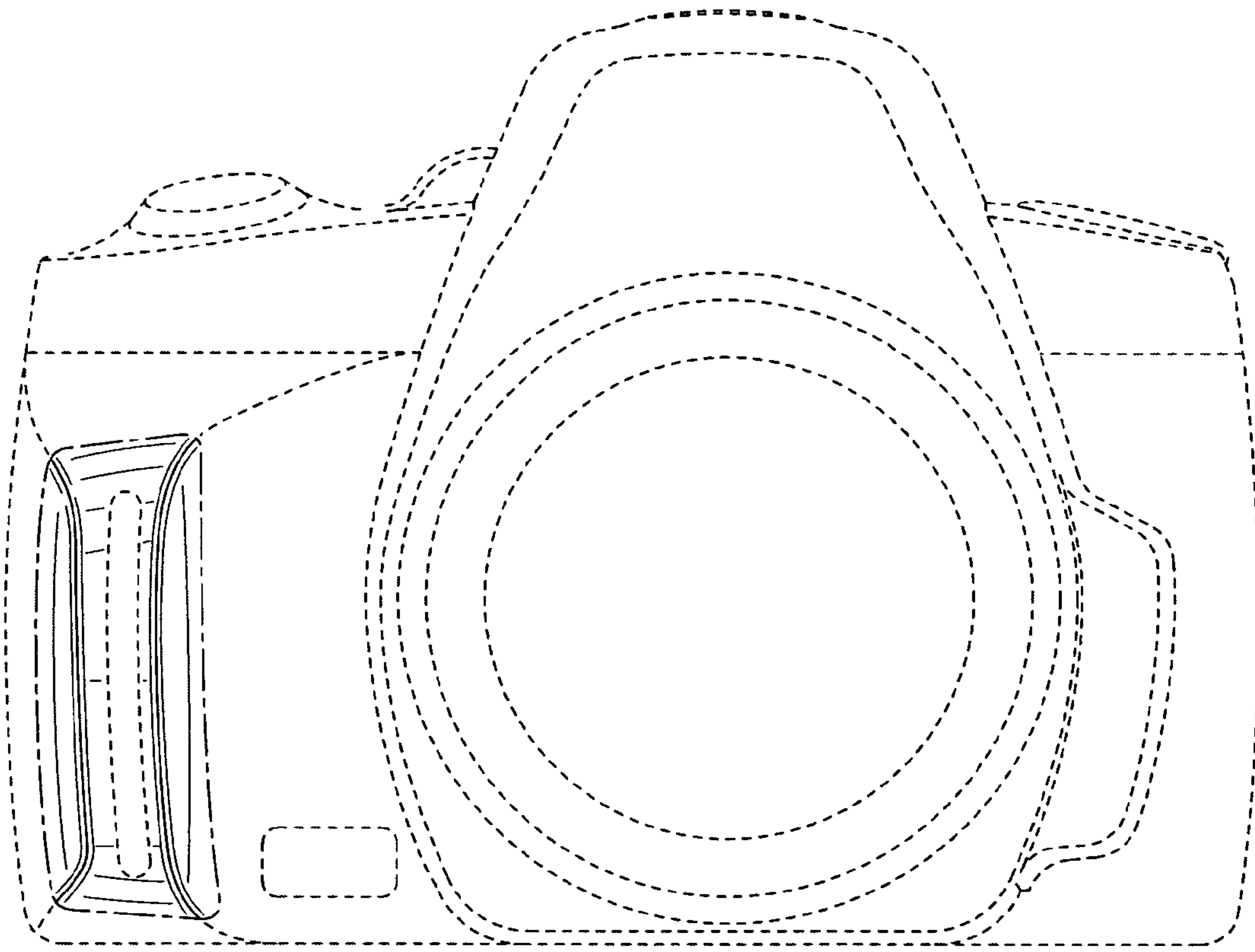


FIG.2

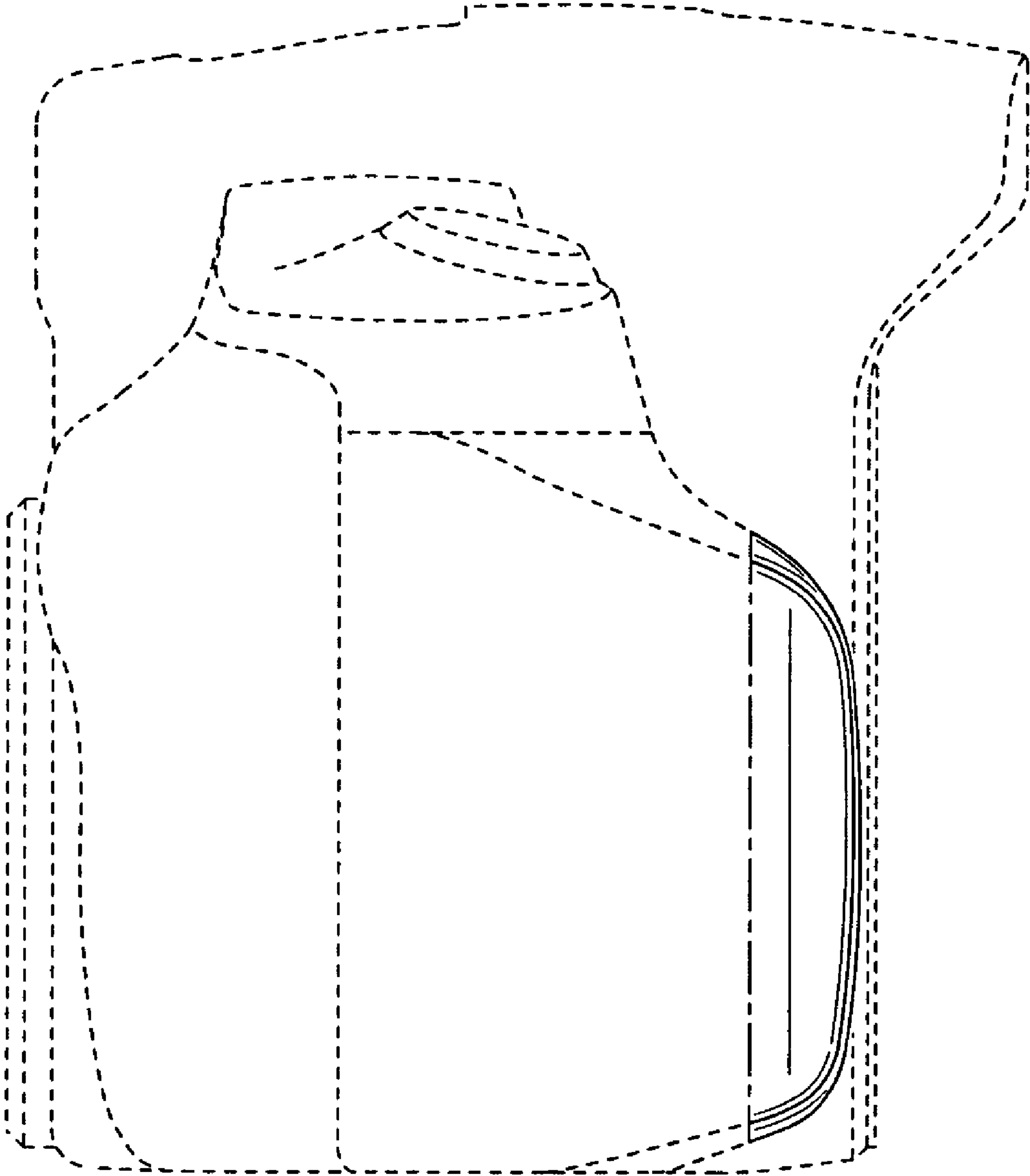


FIG. 3

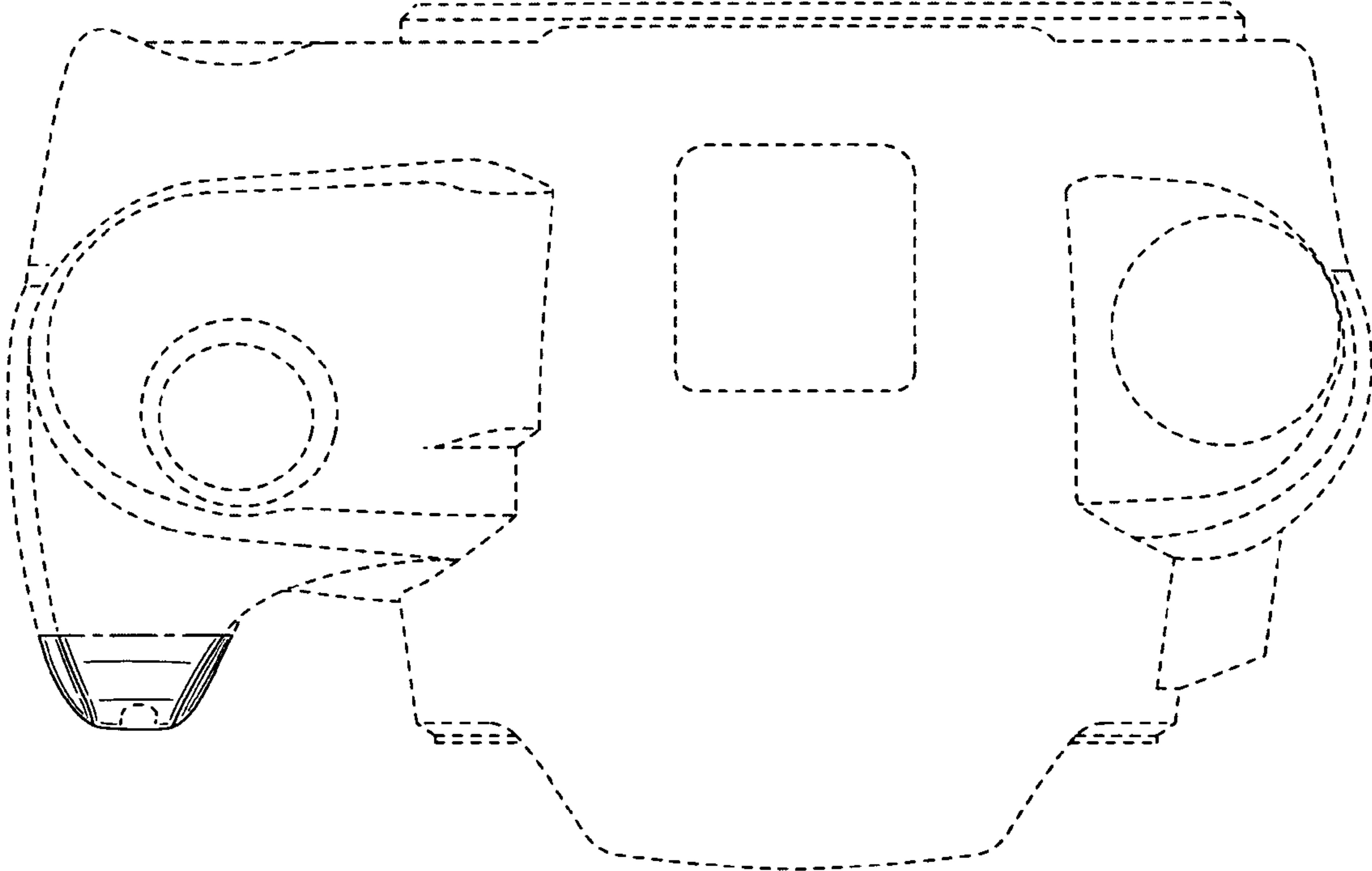


FIG. 4

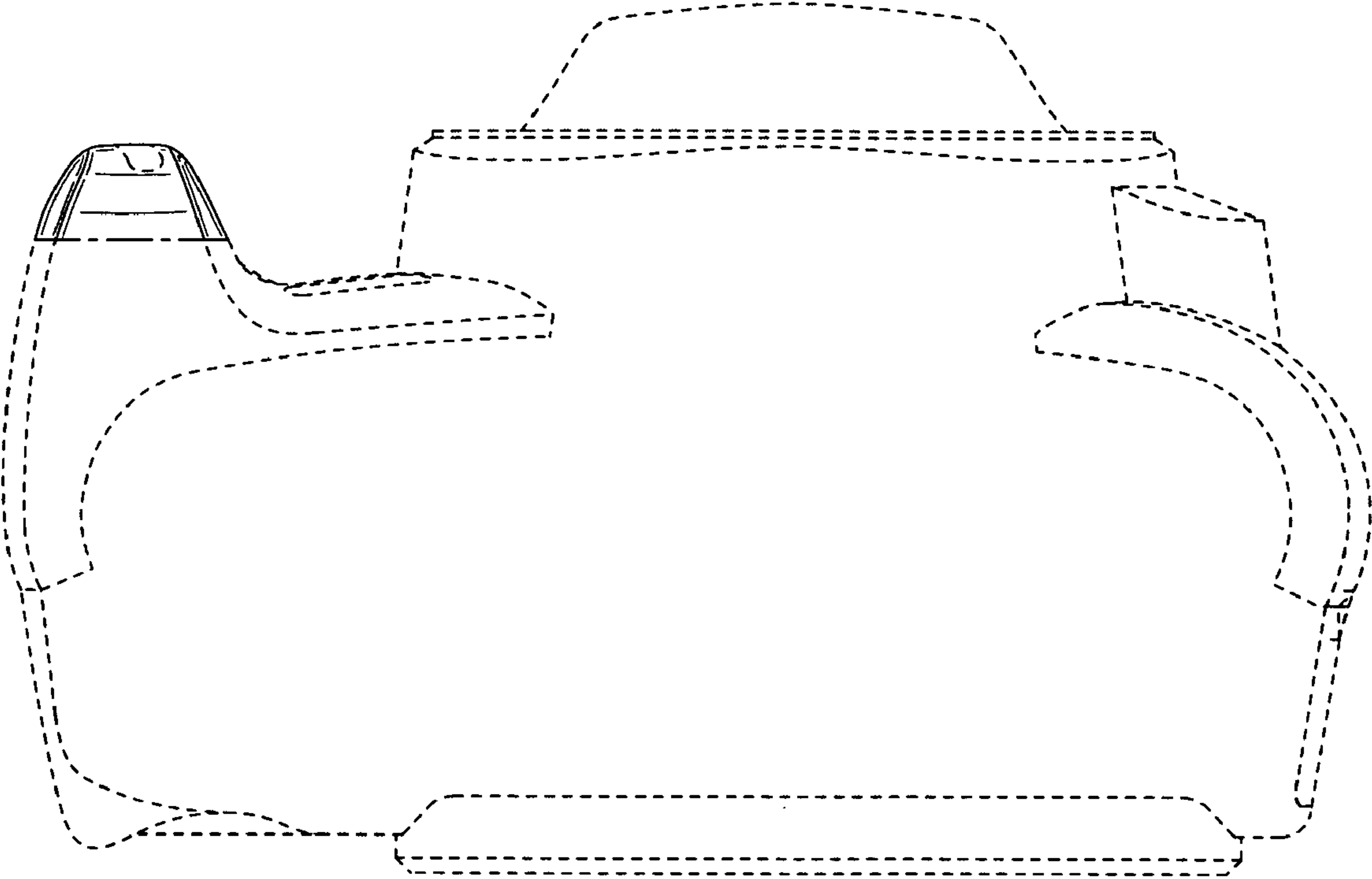


FIG. 5