



US00D627383S

(12) **United States Design Patent**
Sheppard et al.

(10) **Patent No.:** **US D627,383 S**

(45) **Date of Patent:** **** Nov. 16, 2010**

(54) **DIGITAL VIDEO CAMERA WITH A CONNECTOR**

6,587,151 B1 7/2003 Cipolla et al.
6,628,325 B1 9/2003 Steinberg et al.

(75) Inventors: **Nasahn Adam Sheppard**, Mill Valley, CA (US); **Maarten Dinger**, San Francisco, CA (US); **Peter Michaelian**, Tappan, NY (US); **John Furlan**, Belmont, CA (US); **Jonathan Kaplan**, San Francisco, CA (US); **Ariel Braunstein**, San Francisco, CA (US); **Simon Fleming-Wood**, Oakland, CA (US); **Elizabeth A. Cleary**, San Francisco, CA (US)

(Continued)

OTHER PUBLICATIONS

Benderoff, Eric. "This Videocam is Easy to Keep at Fingertips," Chicago Tribune, May 17, 2006.

(Continued)

Primary Examiner—Adir Aronovich
(74) *Attorney, Agent, or Firm*—Patterson & Sheridan, LLP

(73) Assignee: **Cisco Technology, Inc.**, San Jose, CA (US)

(57) **CLAIM**

The ornamental design for a digital video camera with a connector, as shown and described.

(**) Term: **14 Years**

(21) Appl. No.: **29/345,077**

DESCRIPTION

(22) Filed: **Oct. 8, 2009**

(51) **LOC (9) Cl.** **16-05**

(52) **U.S. Cl.** **D16/219**

(58) **Field of Classification Search** D14/356, D14/358, 433, 435, 435.1; D16/200–204, D16/208, 218, 219; 348/373–374; 396/535, 396/540, 541

See application file for complete search history.

FIG. 1 is a front perspective view of a digital video camera with a connector;

FIG. 2 is a back perspective view thereof;

FIG. 3 is a front perspective view thereof, with the connector extended;

FIG. 4 is a back perspective view thereof, with the connector extended;

FIG. 5 is a right side view thereof, with the connector extended;

FIG. 6 is a left side view thereof, with the connector extended;

FIG. 7 is a top view thereof, with the connector extended;

FIG. 8 is a bottom view thereof;

FIG. 9 is a front view thereof, with the connector extended; and,

FIG. 10 is a back view thereof, with the connector extended.

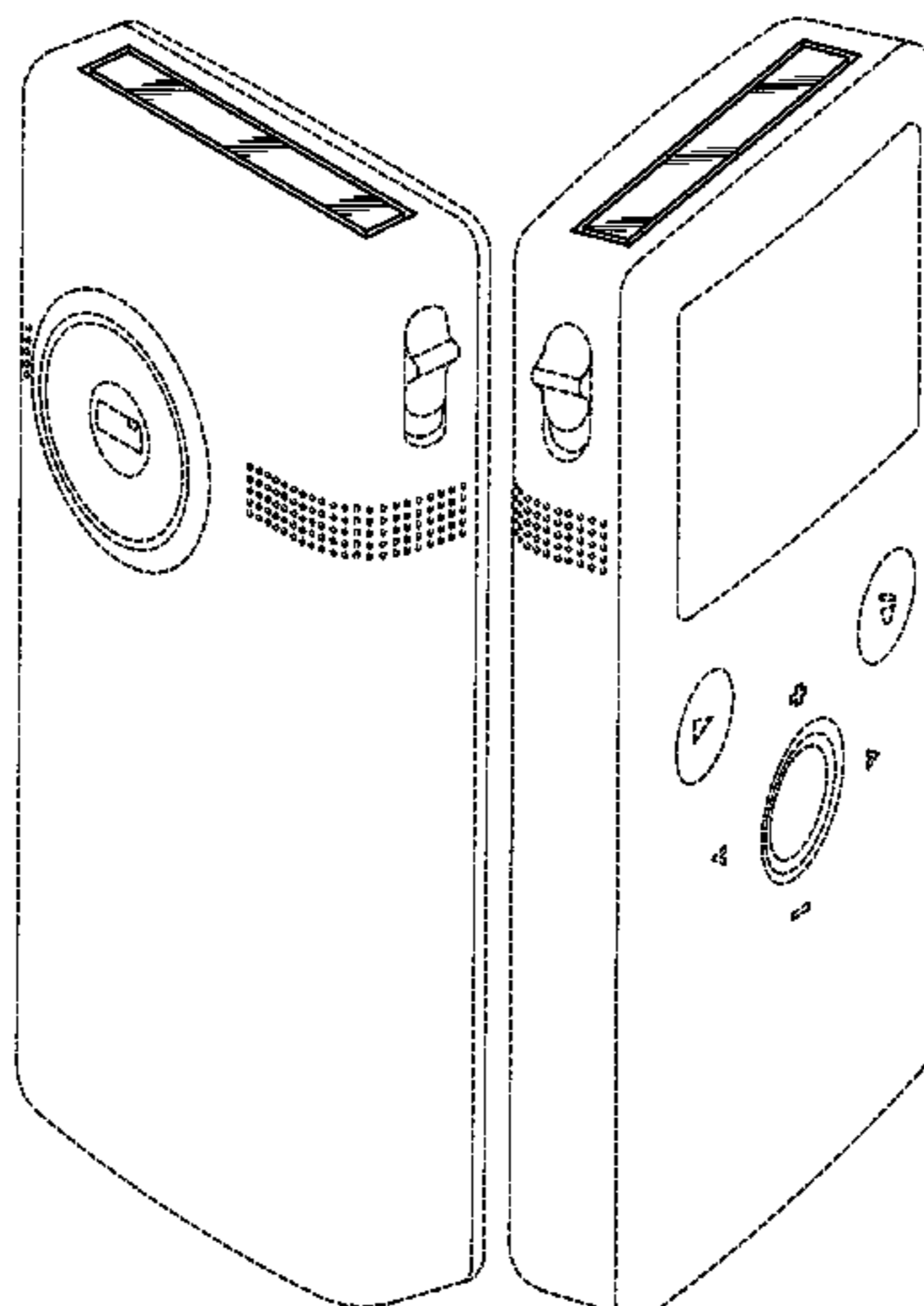
The portions of a camera in broken lines are shown to illustrate environment only and form no part of the claimed design.

(56) **References Cited**

U.S. PATENT DOCUMENTS

3,001,461 A	9/1961	Irwin
D296,551 S	7/1988	Mizogui
D384,964 S	10/1997	Ito et al.
D401,257 S	11/1998	Iino
6,129,572 A	10/2000	Feldman et al.
D463,426 S	9/2002	Cheng
6,449,438 B1	9/2002	Gennetten
D464,664 S	10/2002	Huang
6,477,138 B1	11/2002	Cho et al.
D467,259 S	12/2002	Hung et al.
6,577,337 B1	6/2003	Kang

1 Claim, 8 Drawing Sheets



U.S. PATENT DOCUMENTS

D482,694 S 11/2003 Chen
 D487,458 S 3/2004 Gentil et al.
 6,720,998 B1 4/2004 Kim
 6,727,952 B1 4/2004 Hirata et al.
 6,731,956 B2 5/2004 Hanna et al.
 6,743,030 B2 6/2004 Lin et al.
 6,750,902 B1 6/2004 Steinberg et al.
 6,784,941 B1 8/2004 Su et al.
 6,806,978 B1 10/2004 Tamura et al.
 6,819,355 B1 11/2004 Niikawa
 6,829,004 B1 12/2004 Abe
 6,833,863 B1 12/2004 Clemens
 6,873,356 B1 3/2005 Kanbe et al.
 6,941,021 B2 9/2005 Goldstein et al.
 6,950,142 B2 9/2005 Soumi et al.
 6,979,210 B2 12/2005 Regen et al.
 6,992,721 B1 1/2006 Kambayashi et al.
 7,004,780 B1 2/2006 Wang
 7,025,275 B2 4/2006 Huang et al.
 7,070,425 B2 7/2006 Regen et al.
 7,090,515 B2 8/2006 Regen et al.
 7,126,629 B1 10/2006 Braunstein et al.
 D531,581 S 11/2006 Wang et al.
 7,142,244 B1 11/2006 Barbeau
 D544,479 S * 6/2007 Chen D14/435
 D547,311 S * 7/2007 Chen et al. D14/356
 D552,141 S 10/2007 Kaplan et al.
 D553,618 S * 10/2007 Cheng D16/208
 7,286,182 B2 10/2007 Silverbrook et al.
 7,286,256 B2 10/2007 Herbert
 7,349,010 B2 3/2008 Bryant at al.
 7,385,630 B2 6/2008 King et al.
 7,389,878 B1 6/2008 Torrico
 D577,019 S 9/2008 Udagawa et al.
 7,443,418 B2 10/2008 Bryant et al.
 D579,933 S 11/2008 Deguchi
 7,462,044 B1 12/2008 Regen et al.
 D591,321 S 4/2009 Sheppard et al.
 D597,077 S * 7/2009 Brandenburg D14/356
 7,566,231 B2 7/2009 Regen et al.
 D607,914 S * 1/2010 Kaplan et al. D16/219
 D608,813 S * 1/2010 Hong et al. D16/218
 D610,600 S * 2/2010 Sheppard et al. D16/219
 D611,944 S * 3/2010 Kujawski et al. D14/435.1
 D617,821 S * 6/2010 Kaplan et al. D16/202
 2002/0101515 A1 8/2002 Yoshida et al.
 2003/0207611 A1 11/2003 Lin et al.
 2004/0145676 A1 7/2004 Lin
 2004/0155966 A1 8/2004 Jang et al.

2004/0201692 A1 10/2004 Parulski et al.
 2004/0212966 A1 10/2004 Fisher et al.
 2004/0263634 A1 12/2004 Kiuchi
 2005/0037647 A1 2/2005 Le
 2005/0050371 A1 3/2005 Ono
 2005/0060636 A1 3/2005 Mathe
 2005/0070225 A1 3/2005 Lee
 2005/0079738 A1 4/2005 Ahn
 2005/0099499 A1 5/2005 Braunstein et al.
 2005/0114587 A1 5/2005 Chou et al.
 2005/0157459 A1 7/2005 Yin et al.
 2005/0162508 A1 7/2005 Basmadjian et al.
 2005/0174710 A1 8/2005 Masui et al.
 2005/0177661 A1 8/2005 Loo
 2005/0210195 A1 9/2005 Teicher et al.
 2005/0237356 A1 10/2005 Lee
 2005/0237398 A1 10/2005 Fujii et al.
 2005/0253930 A1 11/2005 Endo et al.
 2005/0265099 A1 12/2005 Hosokawa
 2005/0280732 A1 12/2005 Misawa
 2005/0285963 A1 12/2005 Misawa et al.
 2006/0015662 A1 1/2006 Dietz et al.
 2006/0036784 A1 2/2006 Loo
 2006/0064185 A1 3/2006 Yeh
 2006/0075411 A1 4/2006 Yeh
 2006/0092302 A1 5/2006 Lee
 2006/0103737 A1 5/2006 Okisu et al.
 2006/0109349 A1 5/2006 Takashima
 2006/0216973 A1 9/2006 Walmsley et al.
 2006/0223369 A1 10/2006 Zheng
 2007/0022232 A1 1/2007 Bhakta et al.
 2007/0066130 A1 3/2007 Mori et al.
 2007/0093093 A1 4/2007 Lev et al.
 2007/0242066 A1 10/2007 Rosenthal
 2008/0014829 A1 1/2008 Dyer et al.

OTHER PUBLICATIONS

Colker, David. "Gizmo Report: Small Device Creates Instant Video," Los Angeles Times, May 26, 2006.
 Graham, Jefferson. "New breed of tiny camcorder simple to use, easy on wallet," USA Today, May 1, 2006.
 Mossberg, et al. "The Video Camera Revised," Wall Street Journal, May 3, 2006.
 Pure Digital "Point and Shoot" Camcorder, released May 1, 2006 (pp. 1-7).
 Pure Digital Flip Video Ultra Series, released Sep. 12, 2007 (pp. 1-7).
 Pure Digital Flip Video, released May 1, 2007 (1 page).
 Pure Digital Flip Video Mino, released Jun. 4, 2008 (pp. 1-4).

* cited by examiner

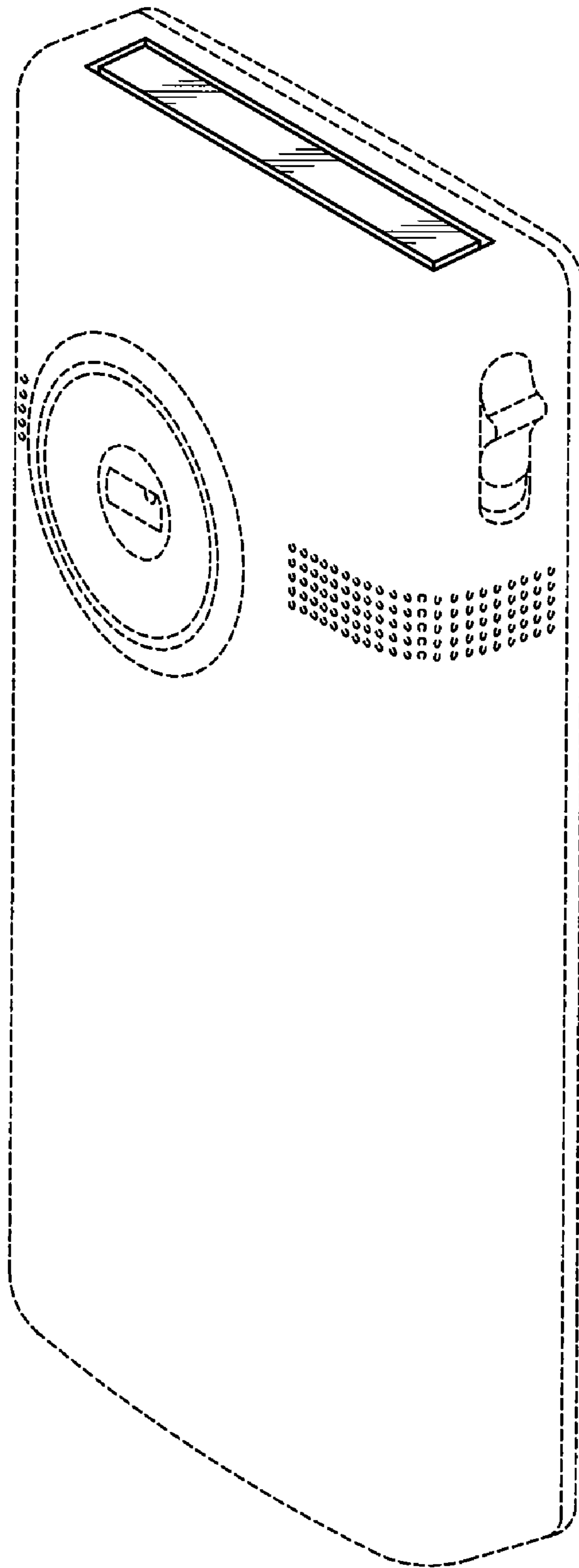


FIG. 1

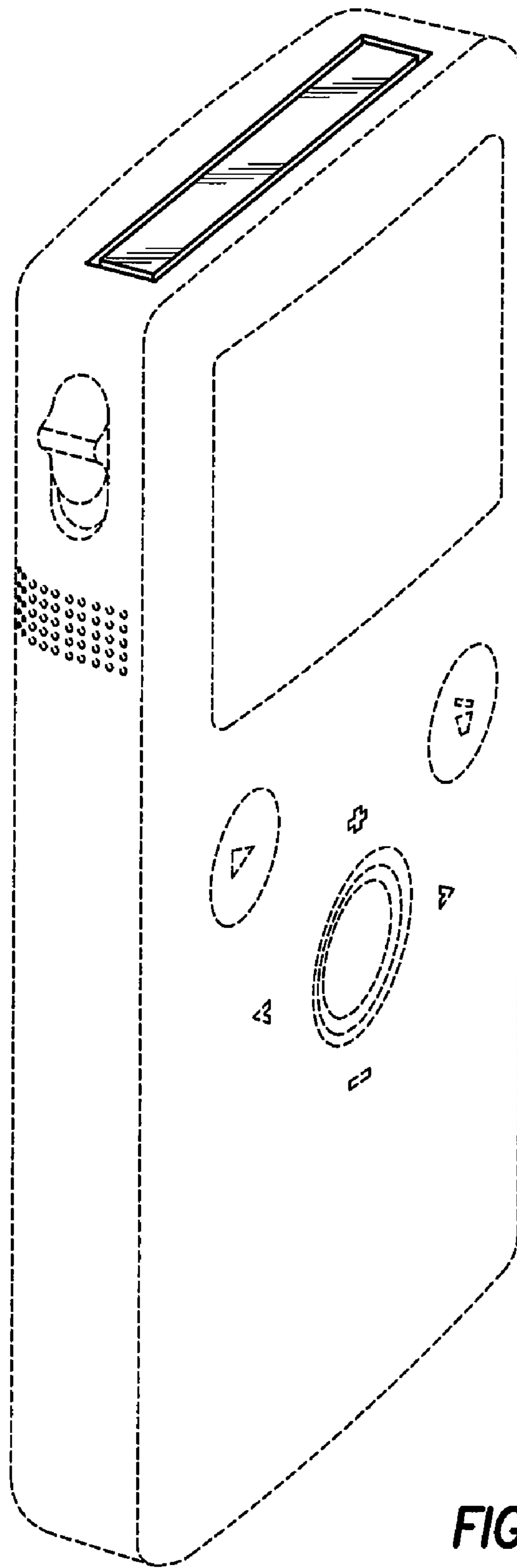


FIG.2

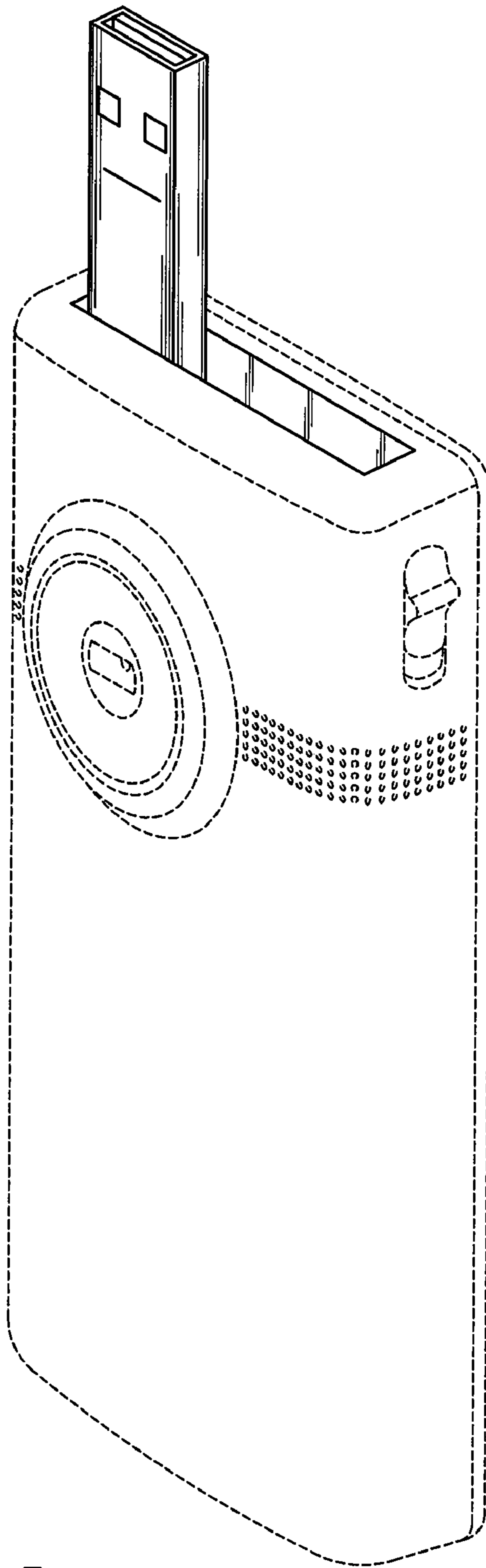


FIG. 3

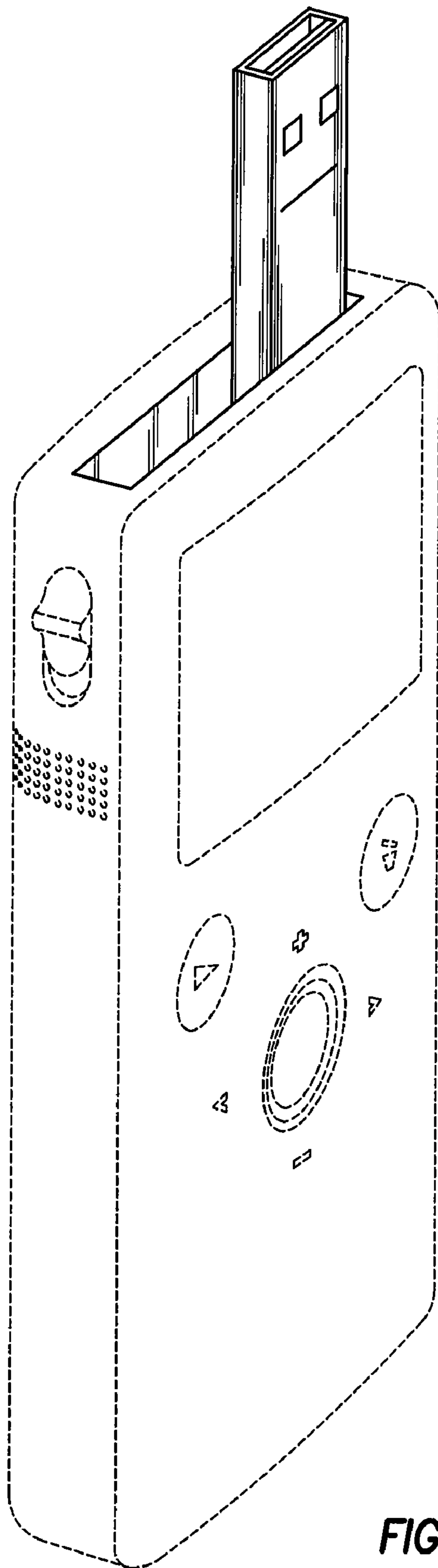


FIG. 4

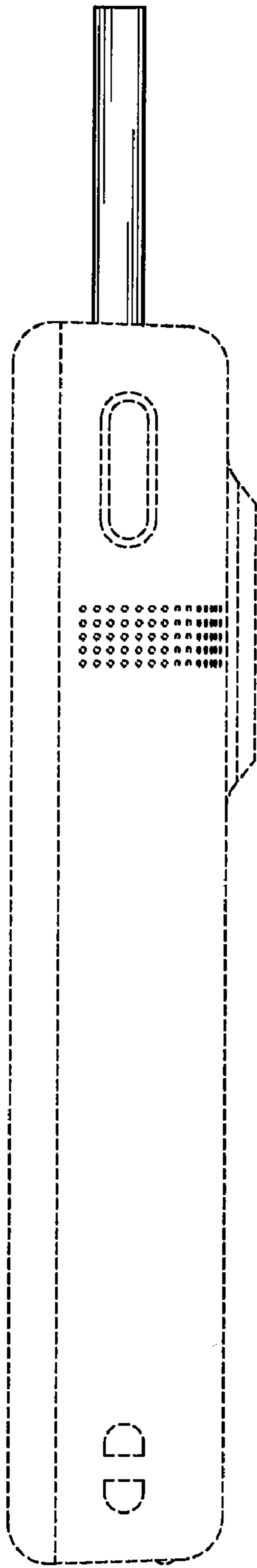


FIG. 5

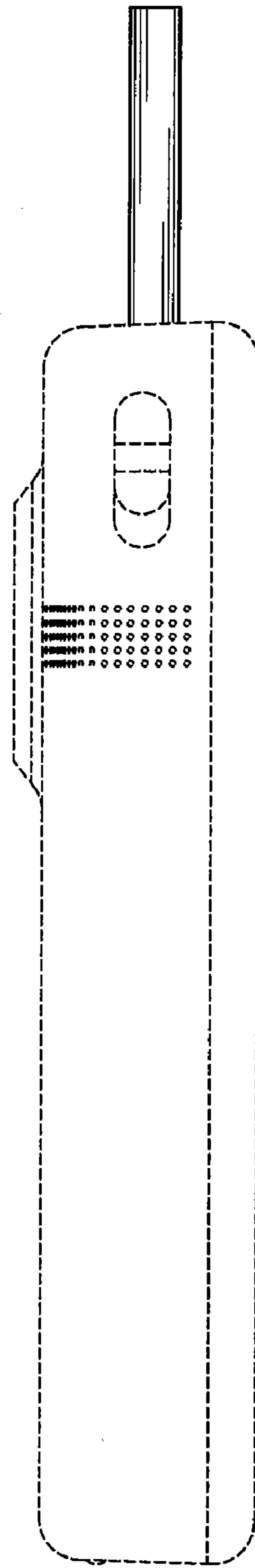


FIG. 6

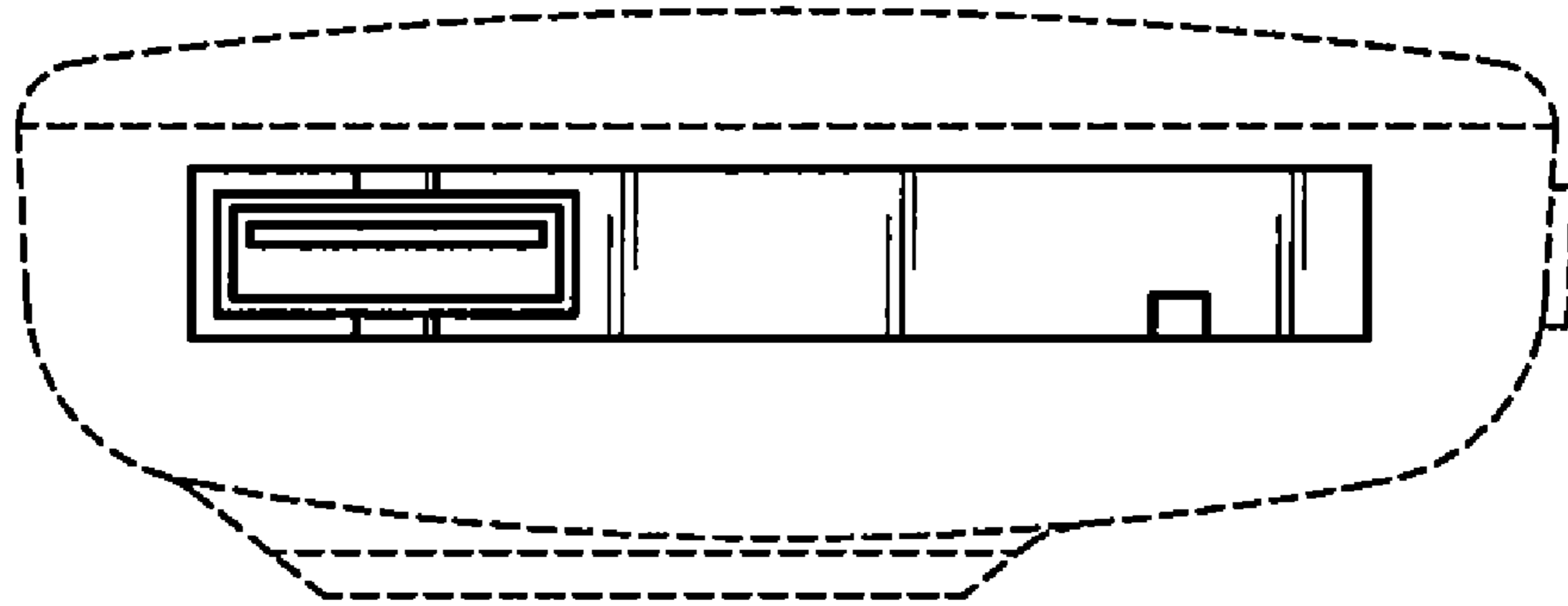


FIG. 7

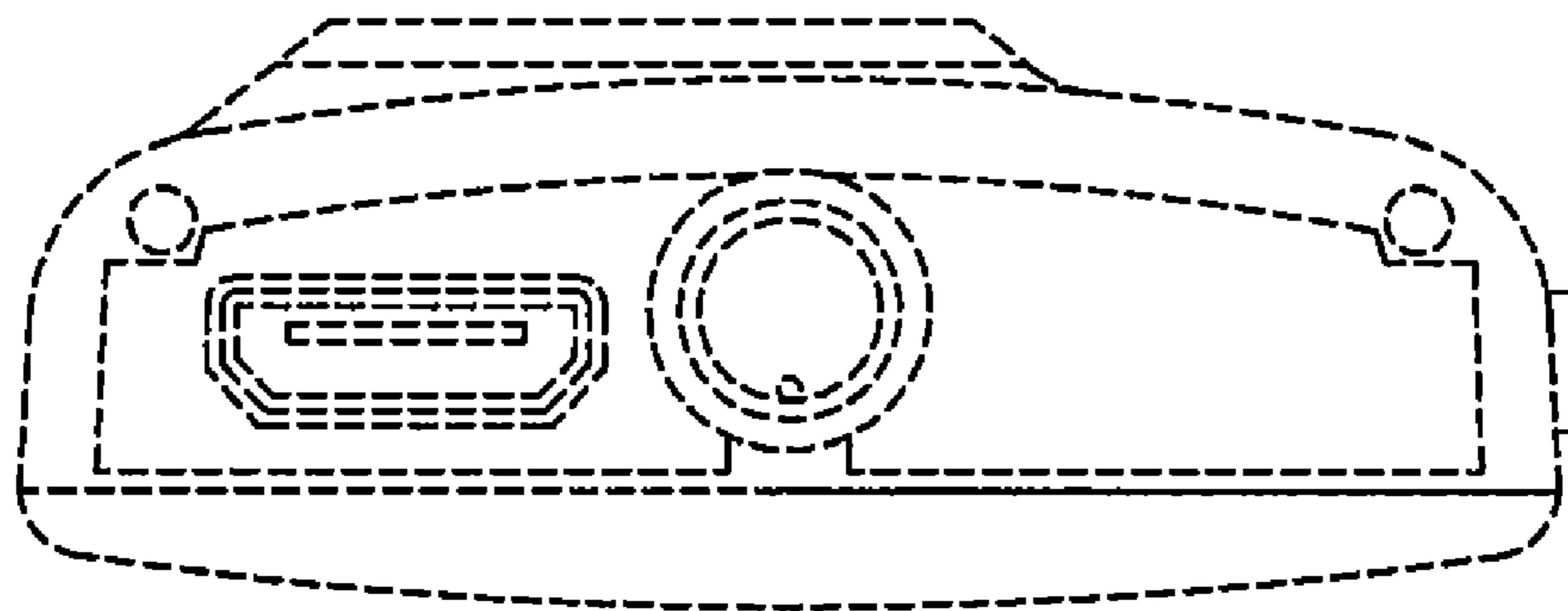


FIG. 8

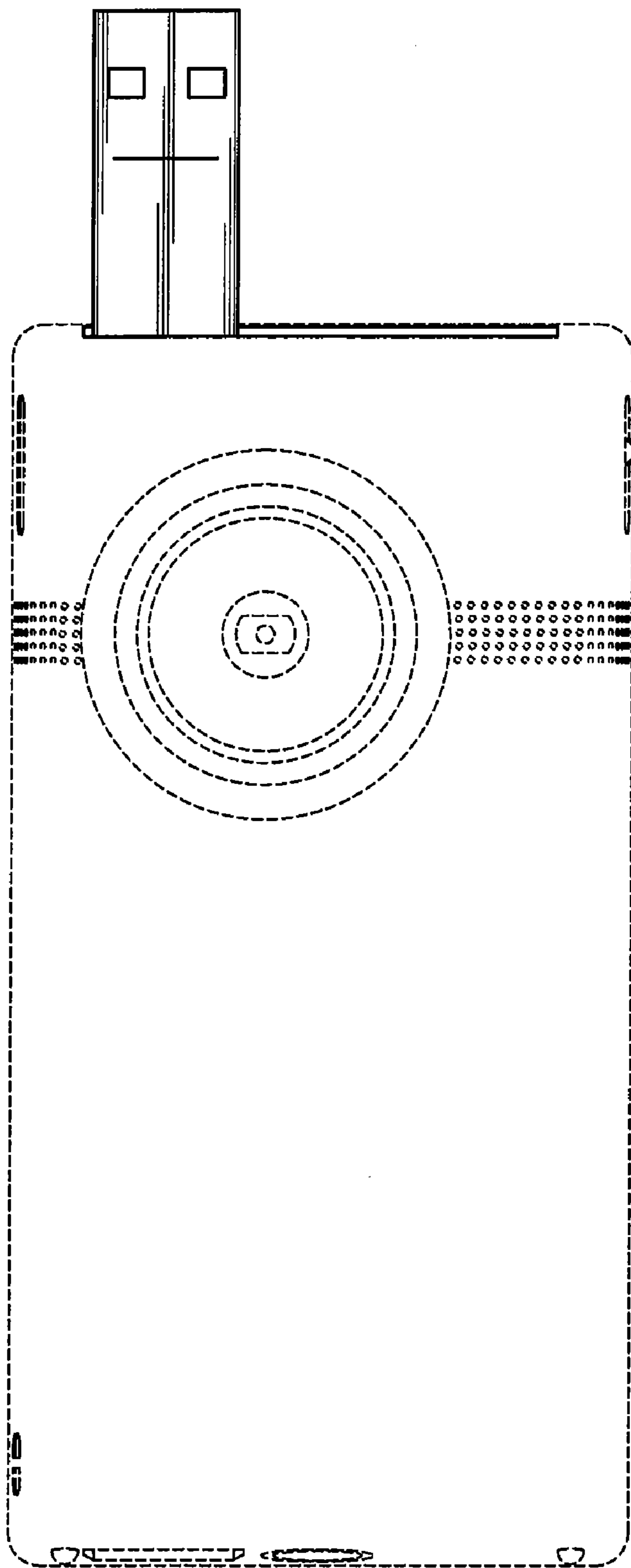


FIG. 9

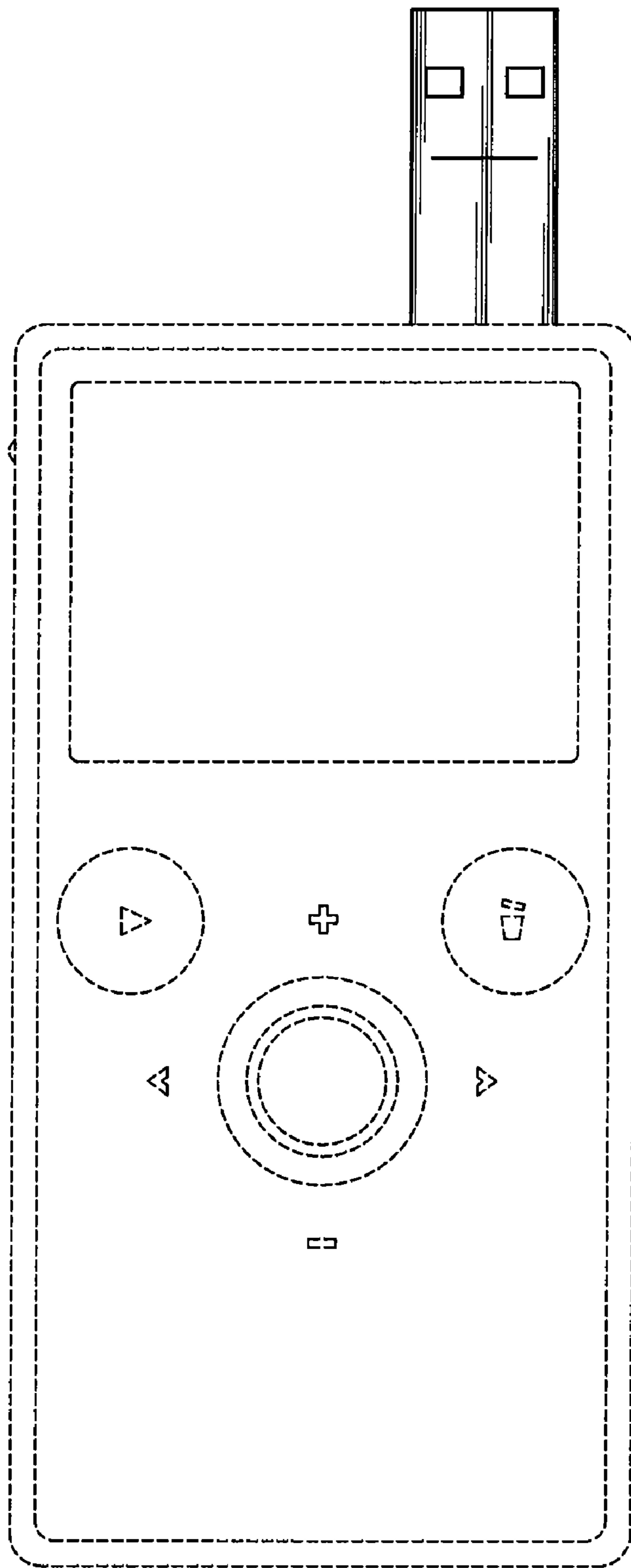


FIG. 10