



US00D627381S

(12) **United States Design Patent**
Kwon

(10) **Patent No.:** **US D627,381 S**

(45) **Date of Patent:** **** Nov. 16, 2010**

(54) **DIGITAL CAMERA**

(75) Inventor: **Ki-jin Kwon**, Suwon-si (KR)

(73) Assignee: **Samsung Electronics Co., Ltd.**,
Suwon-si (KR)

(**) Term: **14 Years**

(21) Appl. No.: **29/348,911**

(22) Filed: **Feb. 18, 2010**

(30) **Foreign Application Priority Data**

Dec. 16, 2009 (KR) 30-2009-0055462

(51) **LOC (9) Cl.** **16-01**

(52) **U.S. Cl.** **D16/202**

(58) **Field of Classification Search** D16/200–204,
D16/208, 218; 348/373–376; 358/909.1;
396/535–541

See application file for complete search history.

(56) **References Cited**

U.S. PATENT DOCUMENTS

D546,859 S * 7/2007 Ishii D16/202
D548,256 S * 8/2007 Hase et al. D16/202
D577,756 S * 9/2008 Nakamura D16/202

D585,084 S * 1/2009 Yamamoto et al. D16/202
D590,427 S * 4/2009 Kim D16/218
D597,116 S * 7/2009 Watanabe D16/202
D604,348 S * 11/2009 Inaba D16/202
7,646,426 B2 * 1/2010 Saiki et al. 348/373
D611,974 S * 3/2010 Kwon et al. D16/202

* cited by examiner

Primary Examiner—Adir Aronovich

(74) *Attorney, Agent, or Firm*—Drinker Biddle & Reath LLP

(57) **CLAIM**

The ornamental design for a digital camera, as shown and described.

DESCRIPTION

FIG. 1 is a top, front and right side perspective view of a digital camera showing my new design;

FIG. 2 is a front elevational view of the digital camera;

FIG. 3 is a rear elevational view of the digital camera;

FIG. 4 is a left side elevational view of the digital camera;

FIG. 5 is a right side elevational view of the digital camera;

FIG. 6 is a top plan view of the digital camera; and,

FIG. 7 is a bottom plan view of the digital camera.

1 Claim, 4 Drawing Sheets

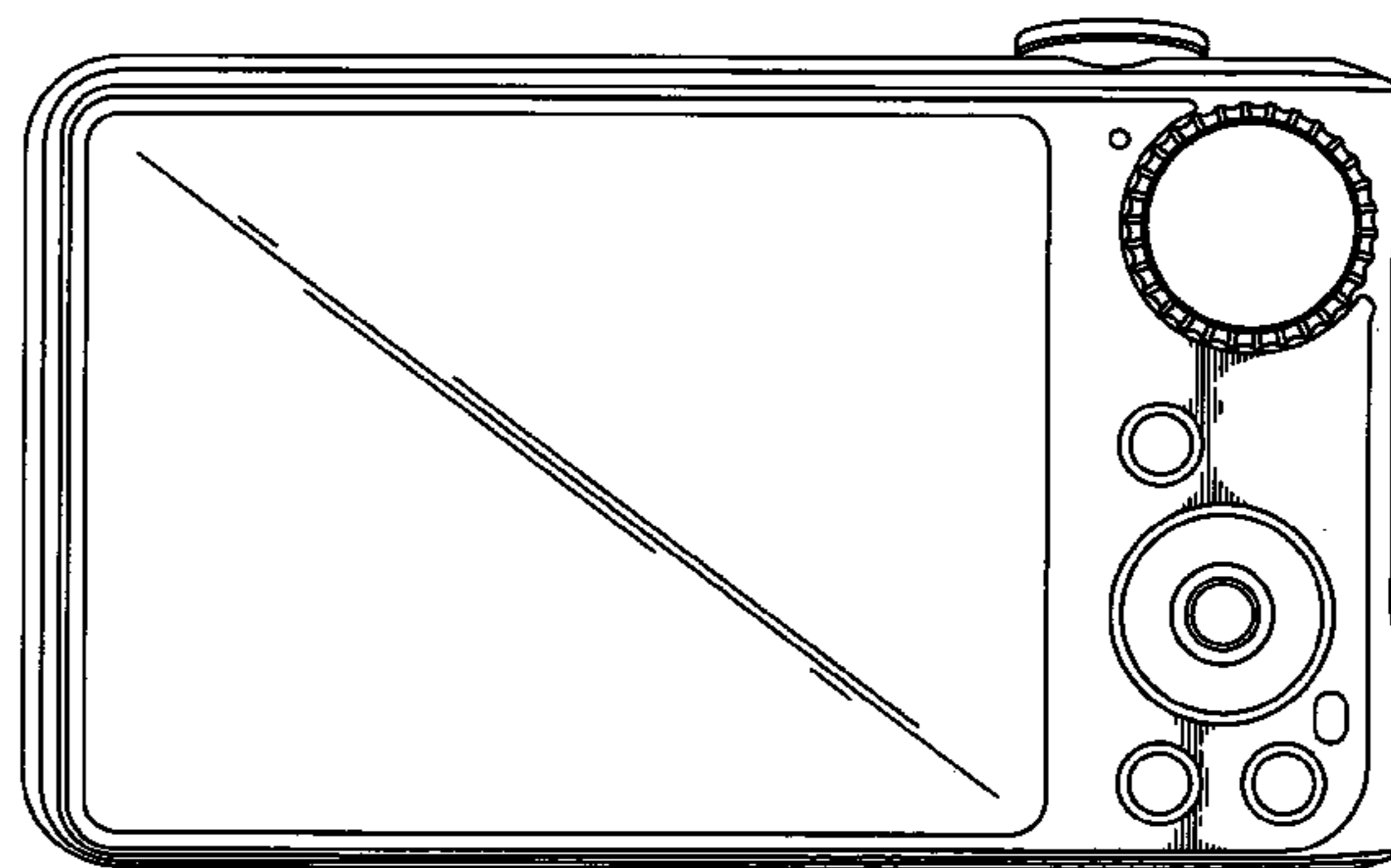
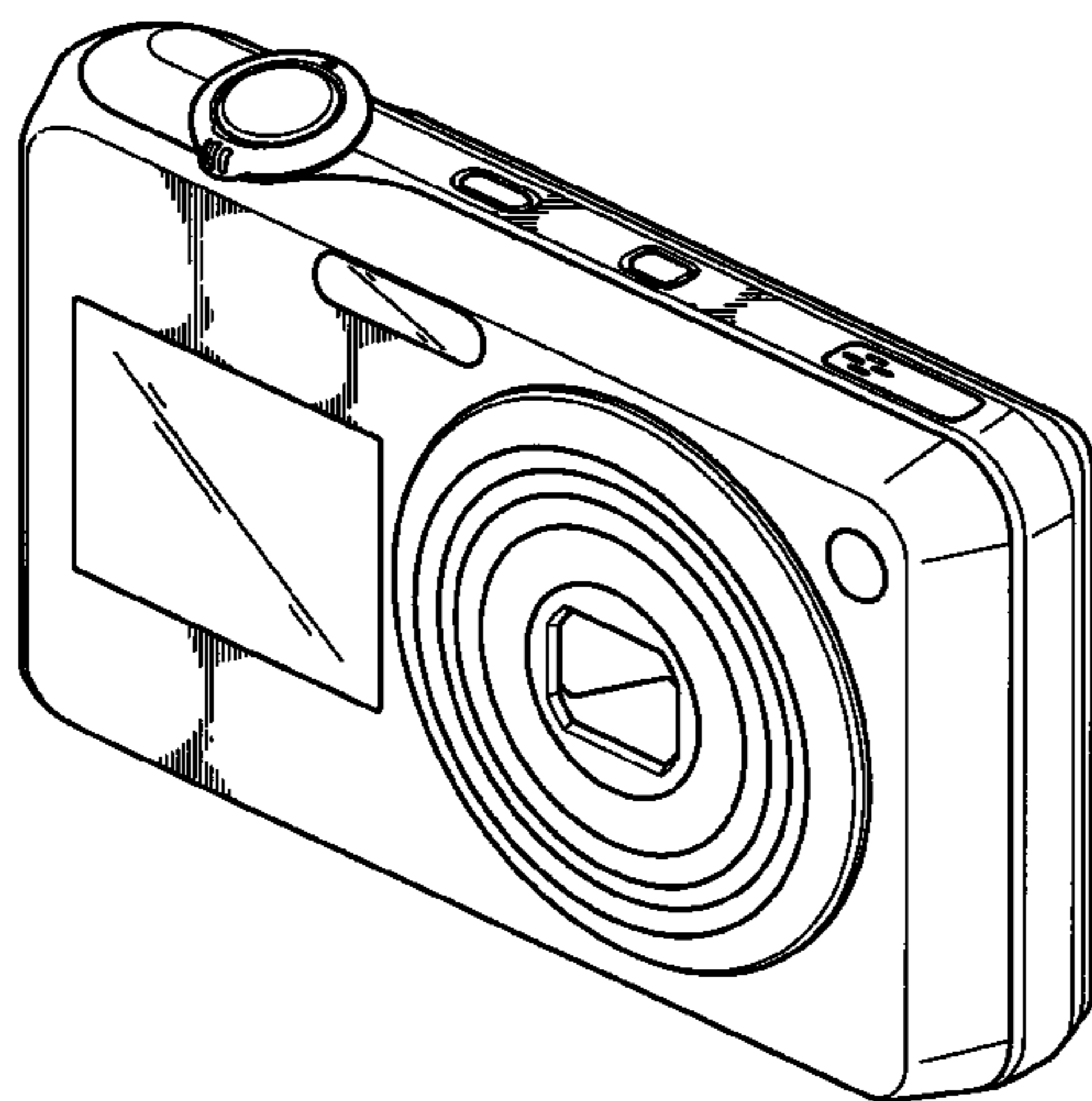


FIG. 1

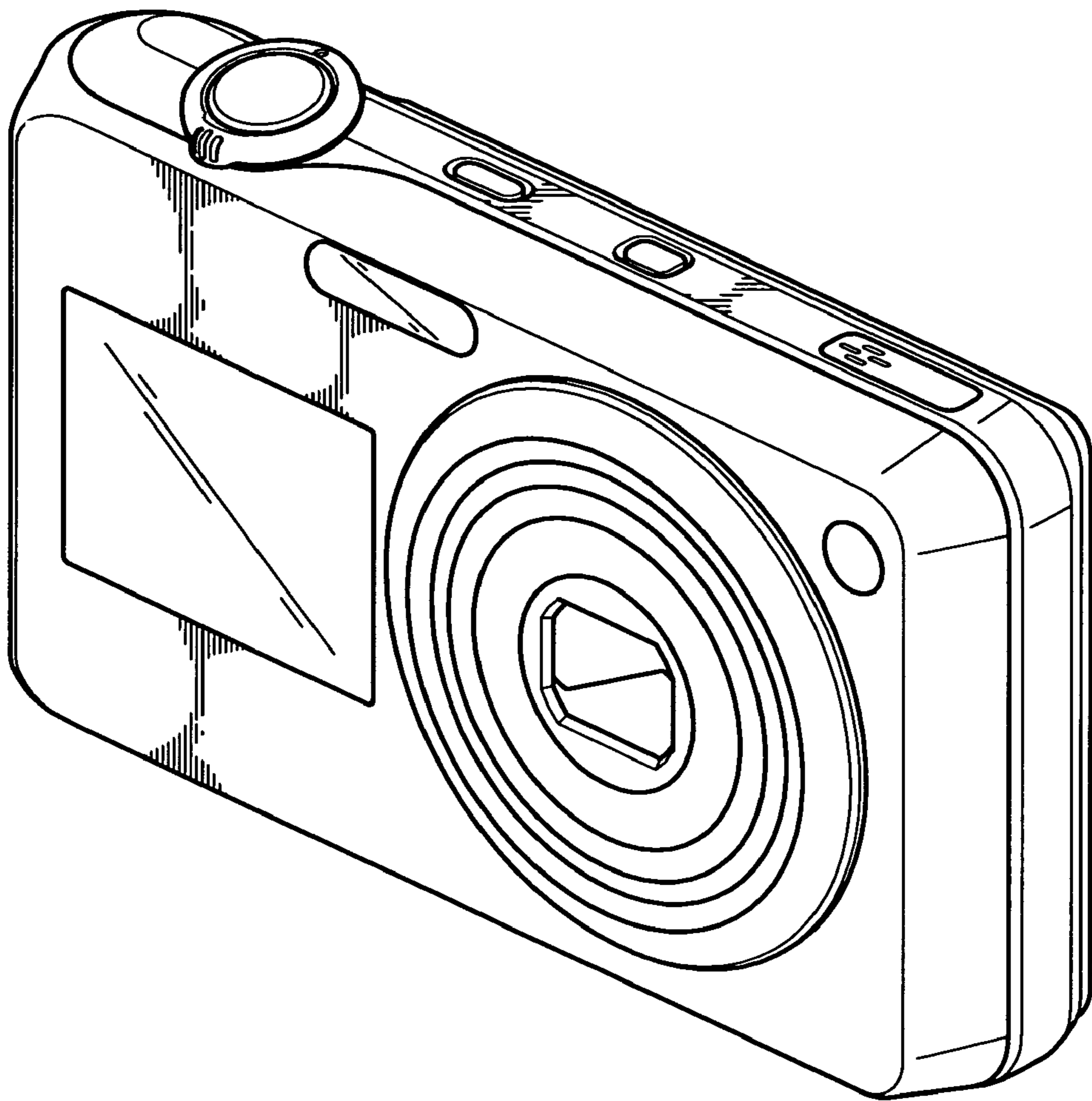


FIG. 2

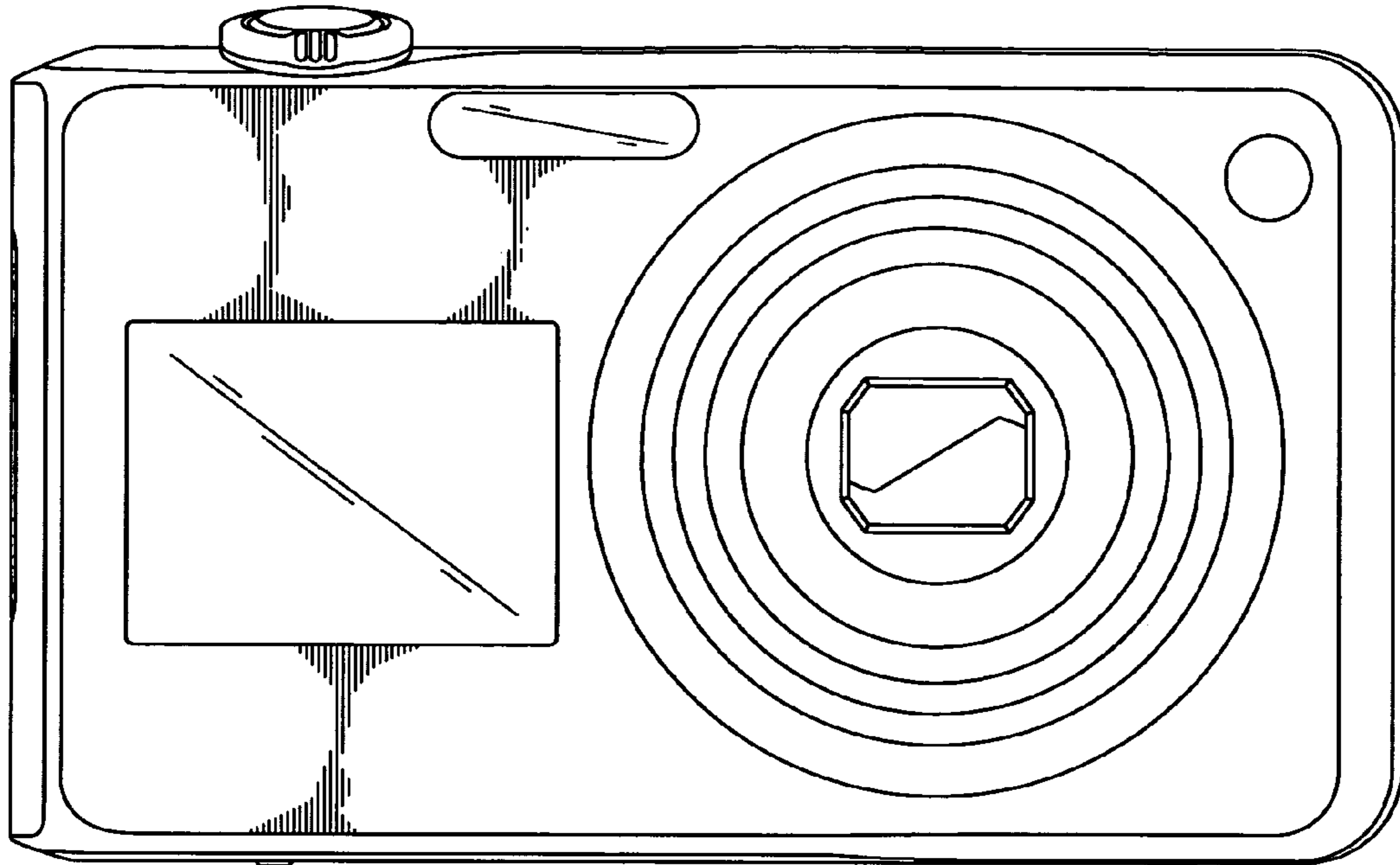


FIG. 3

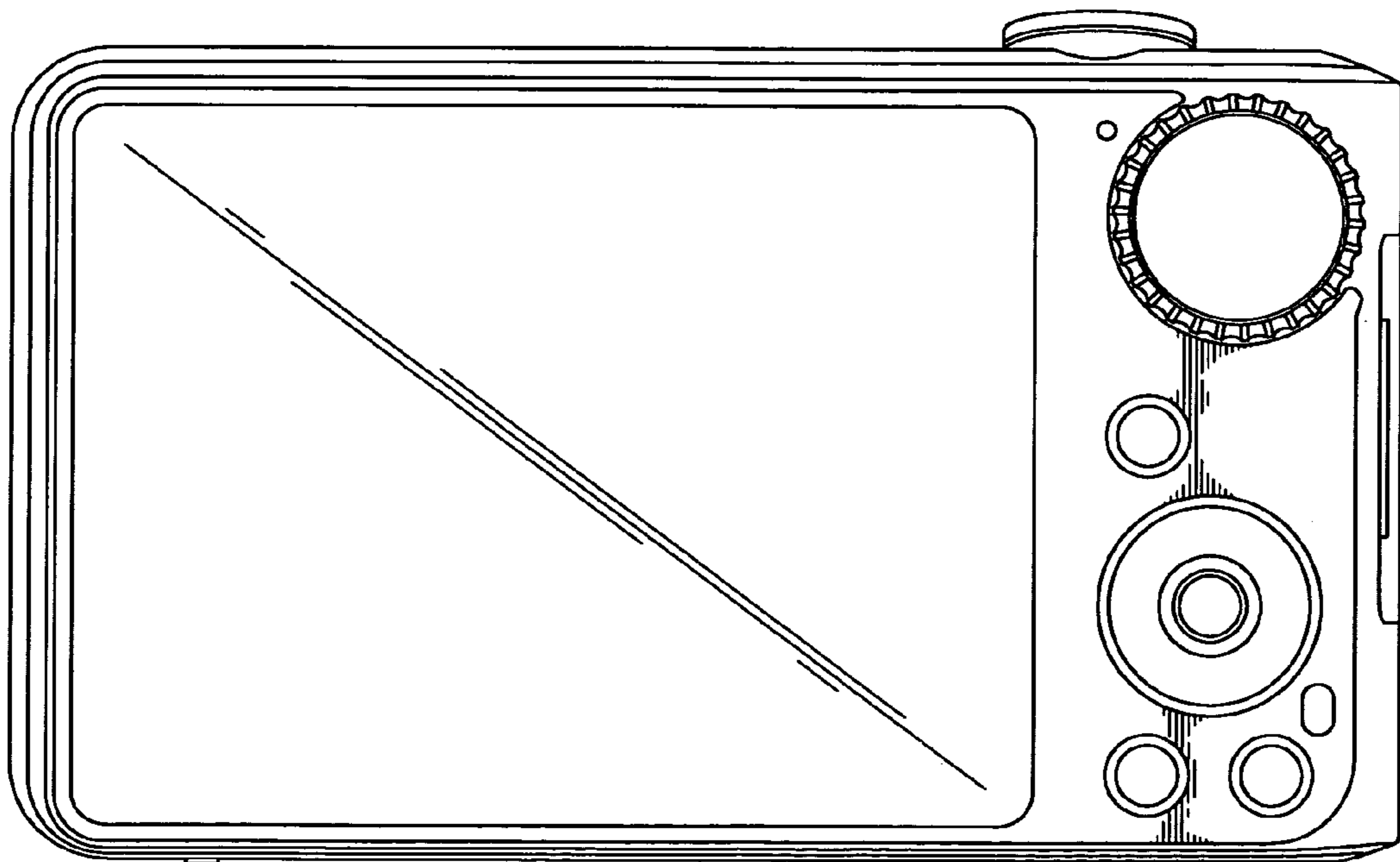


FIG. 4

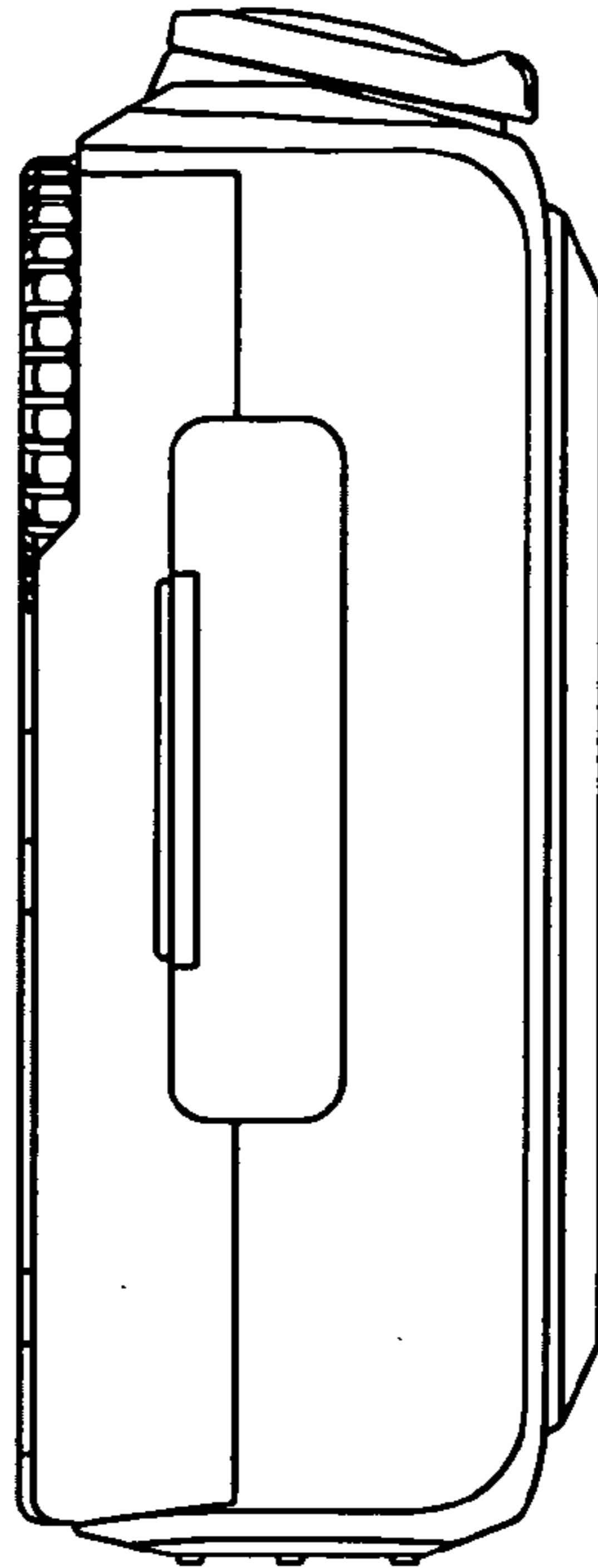


FIG. 5

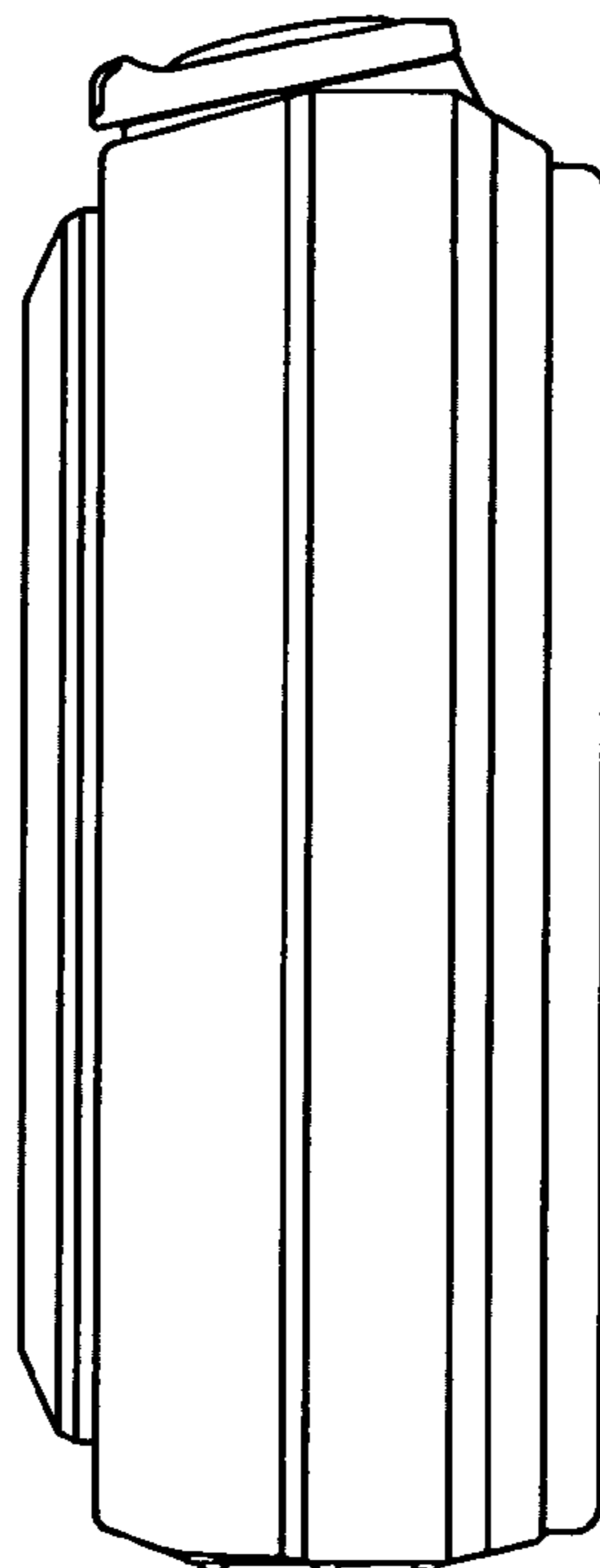


FIG. 6

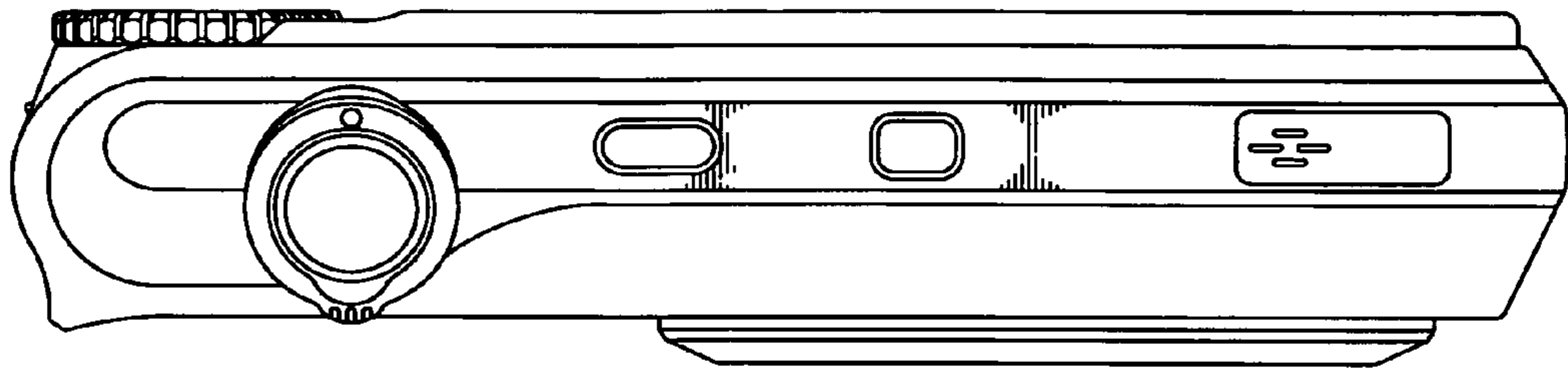


FIG. 7

