



US00D627378S

(12) **United States Design Patent**  
**Watanabe**

(10) **Patent No.:** **US D627,378 S**

(45) **Date of Patent:** **\*\* Nov. 16, 2010**

(54) **BINOCULARS**

(75) Inventor: **Sumito Watanabe**, Yokohama (JP)

(73) Assignee: **Nikon Vision Co., Ltd.**, Tokyo (JP)

(\*\*) Term: **14 Years**

(21) Appl. No.: **29/355,896**

(22) Filed: **Feb. 16, 2010**

(30) **Foreign Application Priority Data**

Sep. 14, 2009 (JP) ..... 2009-021180

(51) **LOC (9) Cl.** ..... **16-06**

(52) **U.S. Cl.** ..... **D16/133**

(58) **Field of Classification Search** ..... D16/130,  
D16/133; 359/407, 408, 409, 410, 411, 412,  
359/413, 414, 415, 416, 417, 418, 419, 420,  
359/835

See application file for complete search history.

(56) **References Cited**

**U.S. PATENT DOCUMENTS**

3,484,149	A	*	12/1969	Becker et al.	.....	359/414
D359,972	S	*	7/1995	Takahashi	.....	D16/133
D412,177	S	*	7/1999	Fujii	.....	D16/133
D470,160	S	*	2/2003	Meinzer	.....	D16/133
D486,507	S	*	2/2004	Fujii	.....	D16/133
D492,711	S	*	7/2004	Watanabe	.....	D16/133
D503,730	S	*	4/2005	Hamamura	.....	D16/133
D514,609	S	*	2/2006	Heine	.....	D16/133
D523,047	S	*	6/2006	Swift et al.	.....	D16/133
D551,272	S	*	9/2007	Fujii	.....	D16/133

D567,275	S	*	4/2008	Hayamizu	.....	D16/133
D575,315	S	*	8/2008	Inaba	.....	D16/133
D590,855	S	*	4/2009	Watanabe	.....	D16/133
D590,857	S	*	4/2009	Fujii	.....	D16/133
D602,059	S	*	10/2009	Inaba	.....	D16/133

**FOREIGN PATENT DOCUMENTS**

JP	S-1160718	12/2002
JP	S-1192643	12/2003
JP	S-1192645	12/2003
JP	S-1192646	12/2003

\* cited by examiner

*Primary Examiner*—Paula Greene

(74) *Attorney, Agent, or Firm*—Oliff & Berridge, PLC

(57) **CLAIM**

The ornamental design for binoculars, as shown and described.

**DESCRIPTION**

FIG. 1 is a perspective view of binoculars showing my new design;

FIG. 2 is a top view thereof;

FIG. 3 is a front view thereof;

FIG. 4 is a rear view thereof;

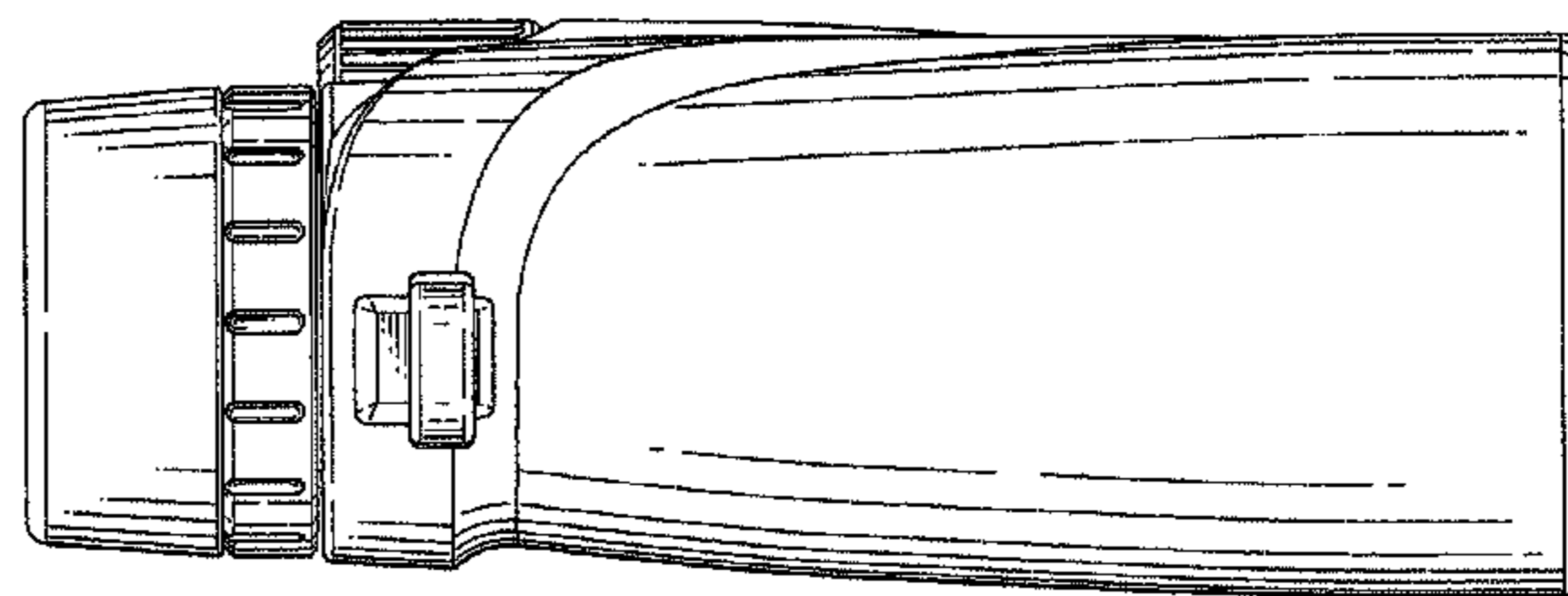
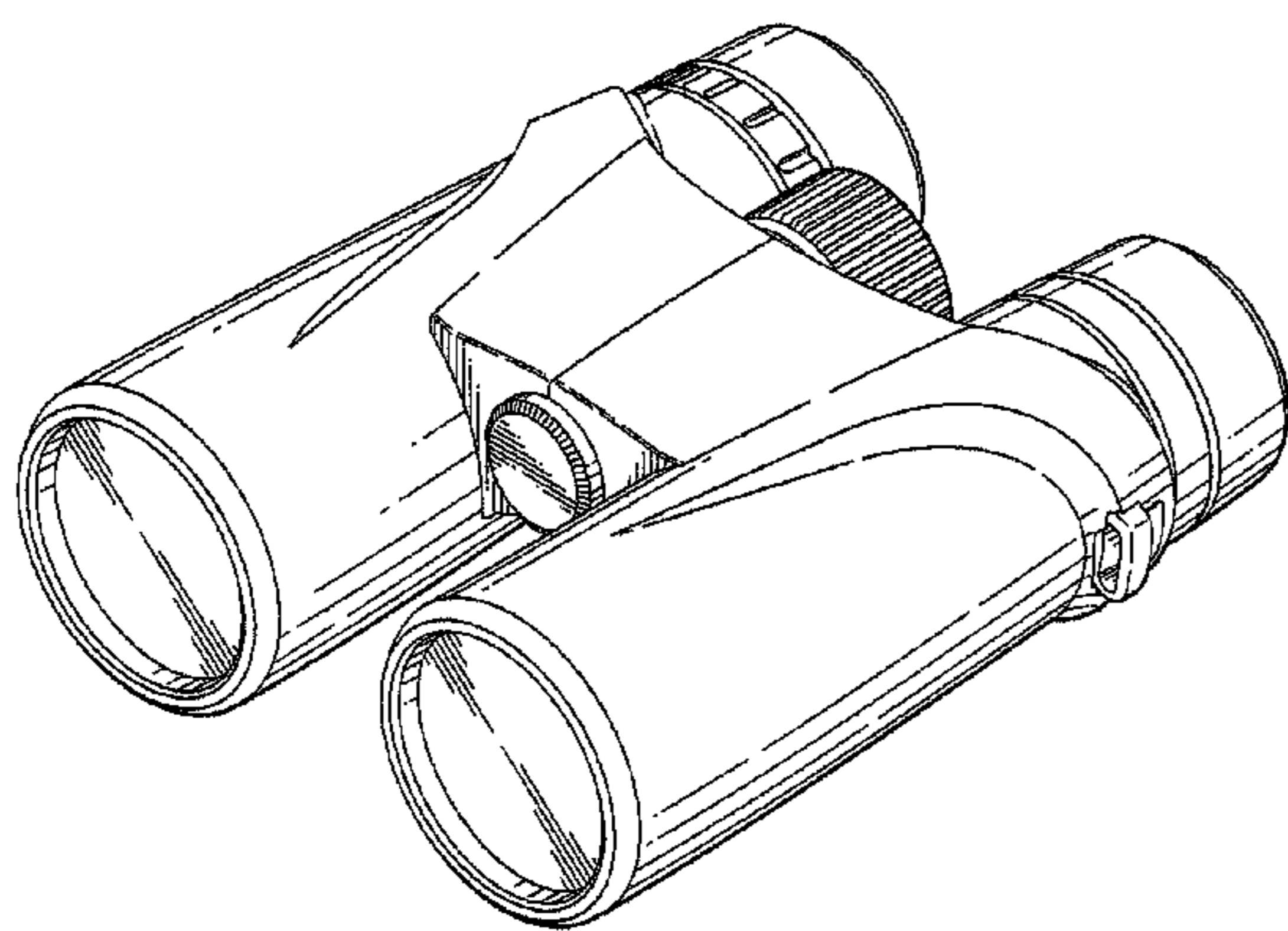
FIG. 5 is a right-side view thereof;

FIG. 6 is a left-side view thereof;

FIG. 7 is a bottom view thereof; and,

FIG. 8 is a perspective view of binoculars in folding position.

**1 Claim, 6 Drawing Sheets**



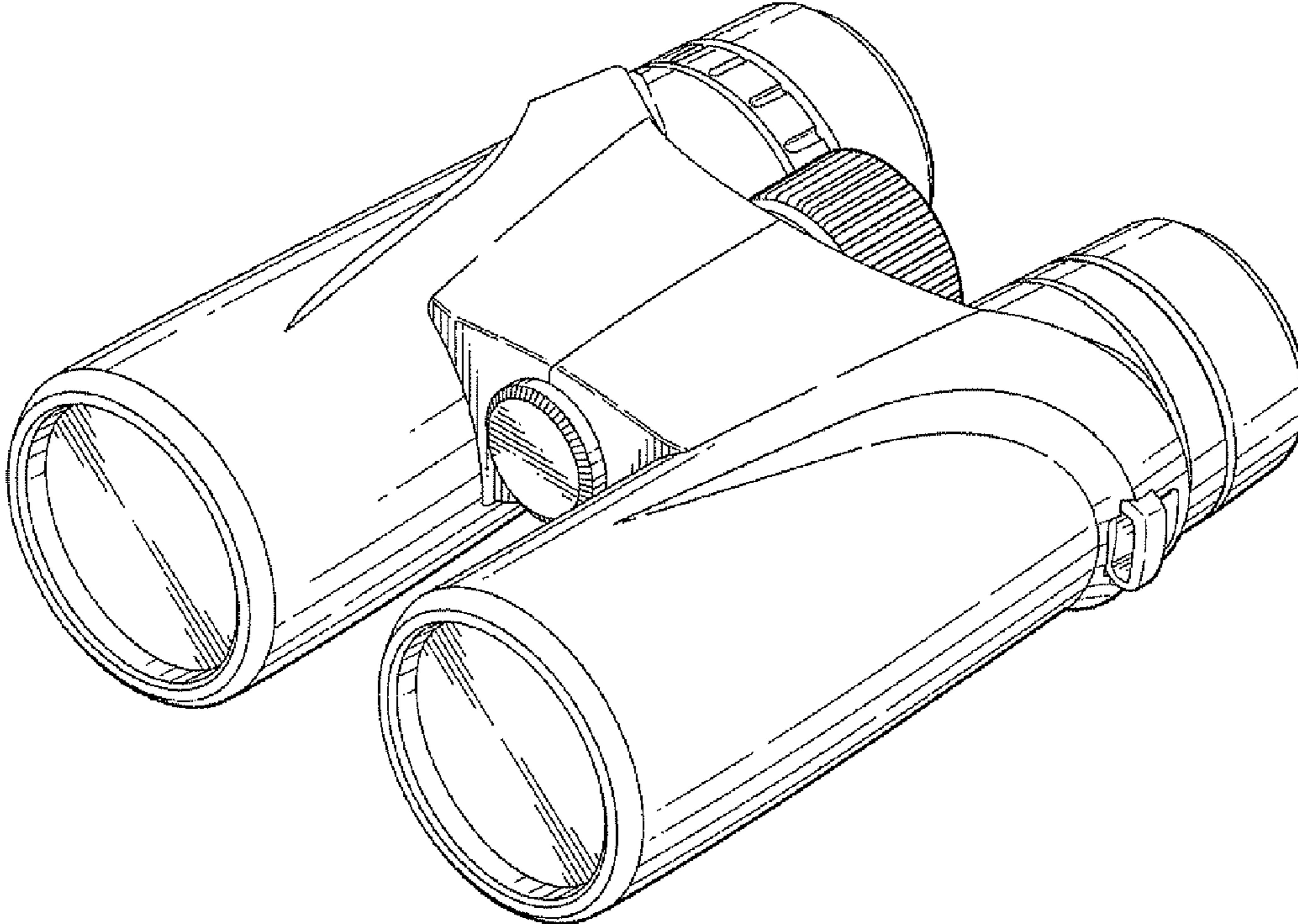


FIG. 1

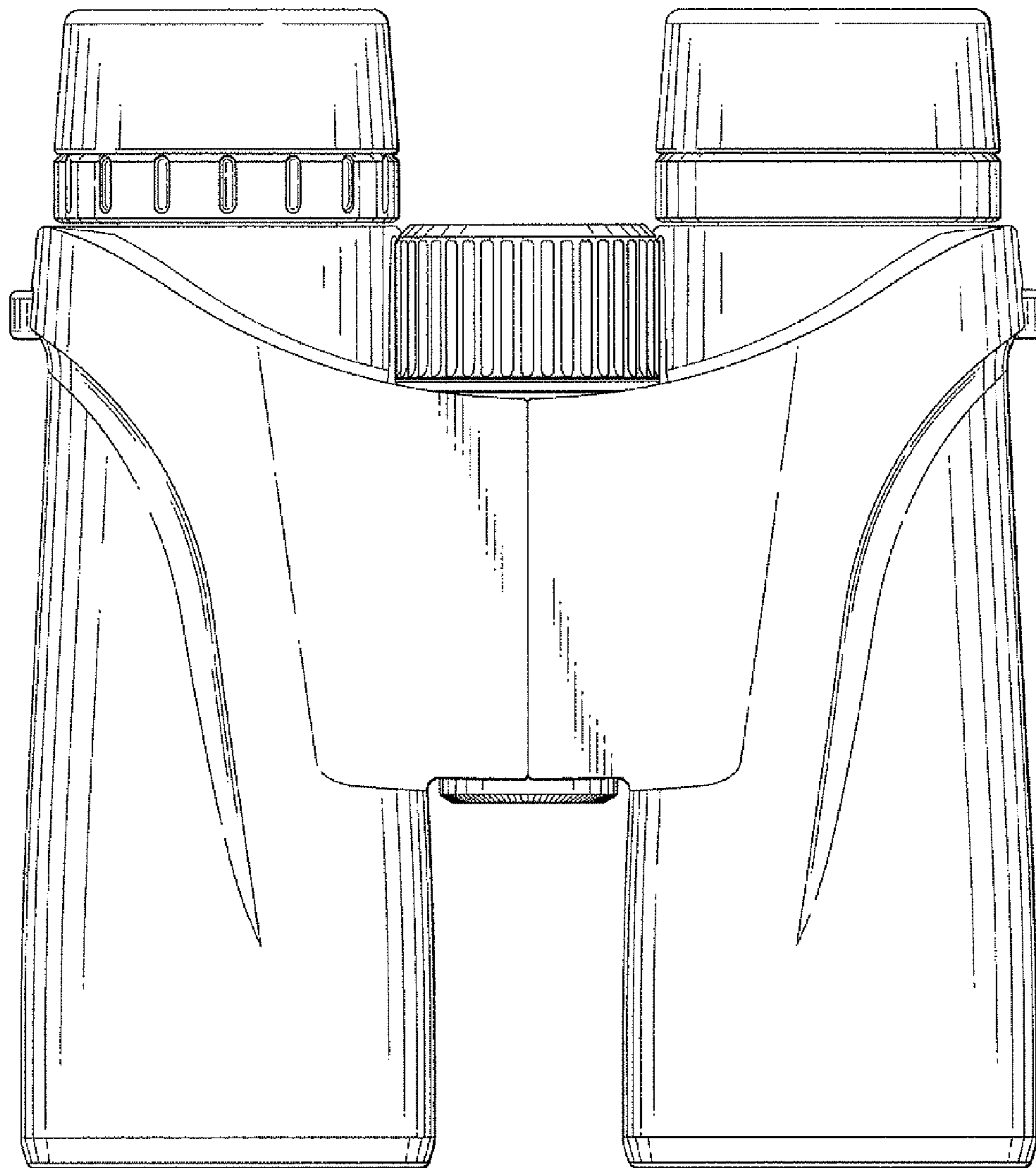


FIG. 2



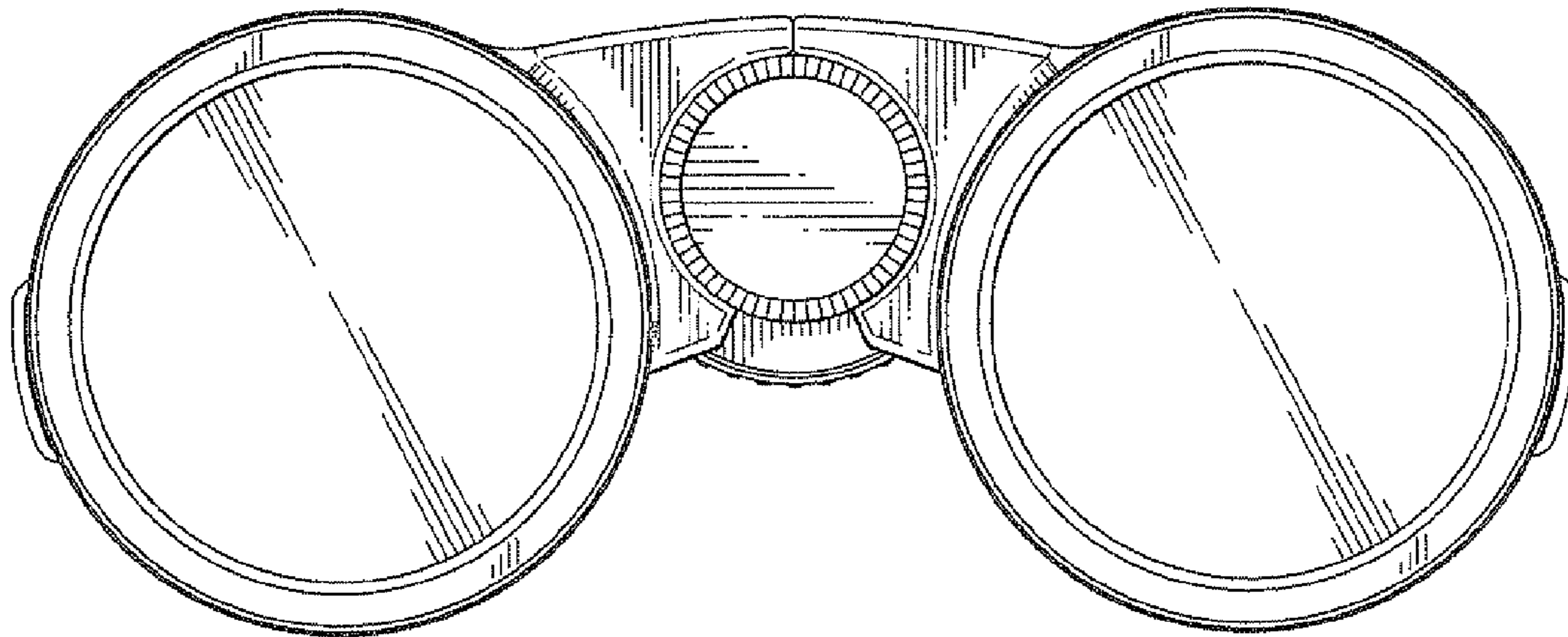


FIG. 3

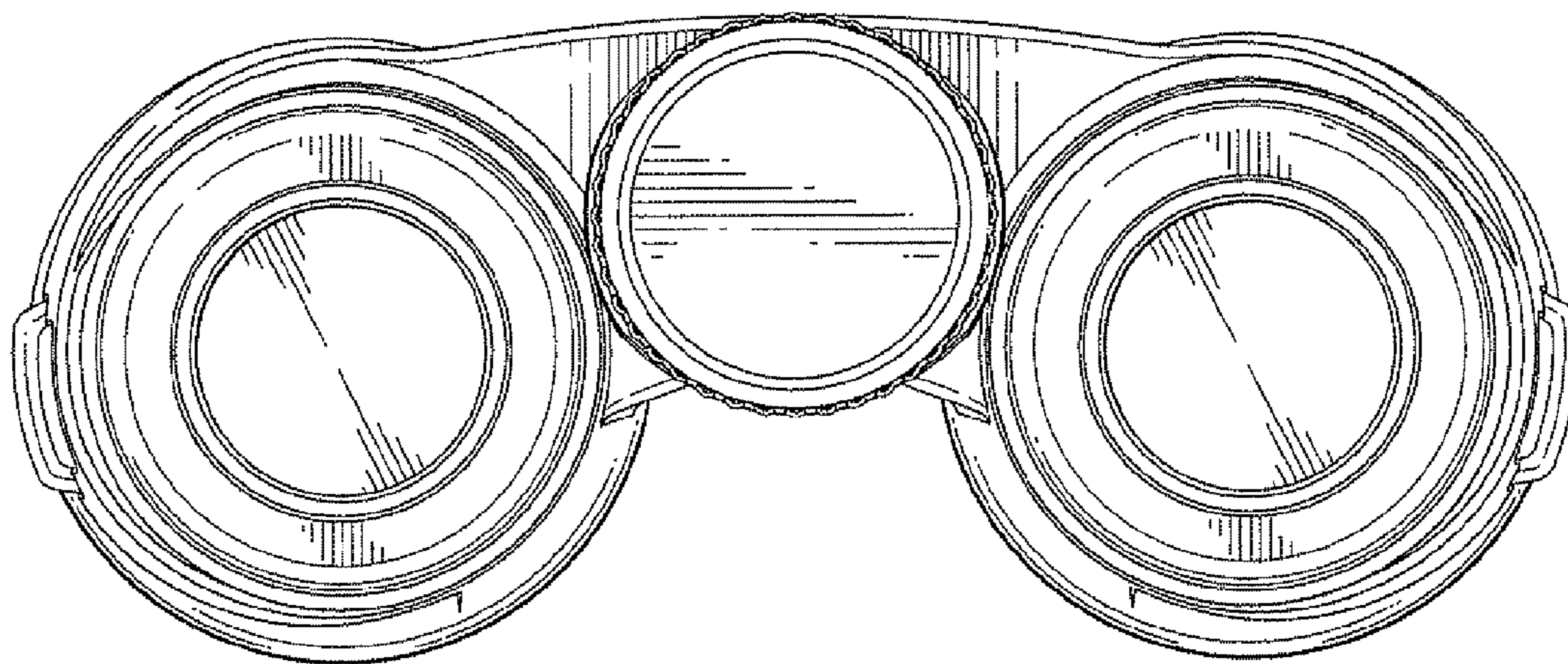


FIG. 4

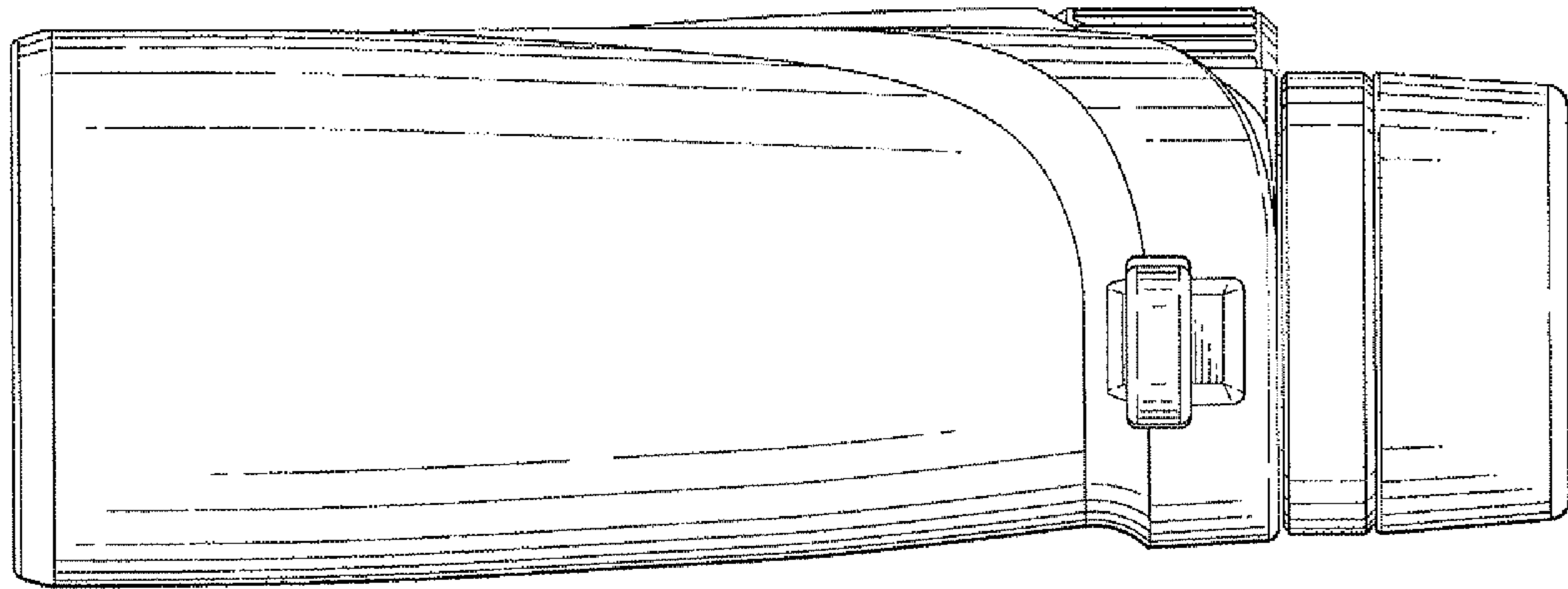


FIG. 5

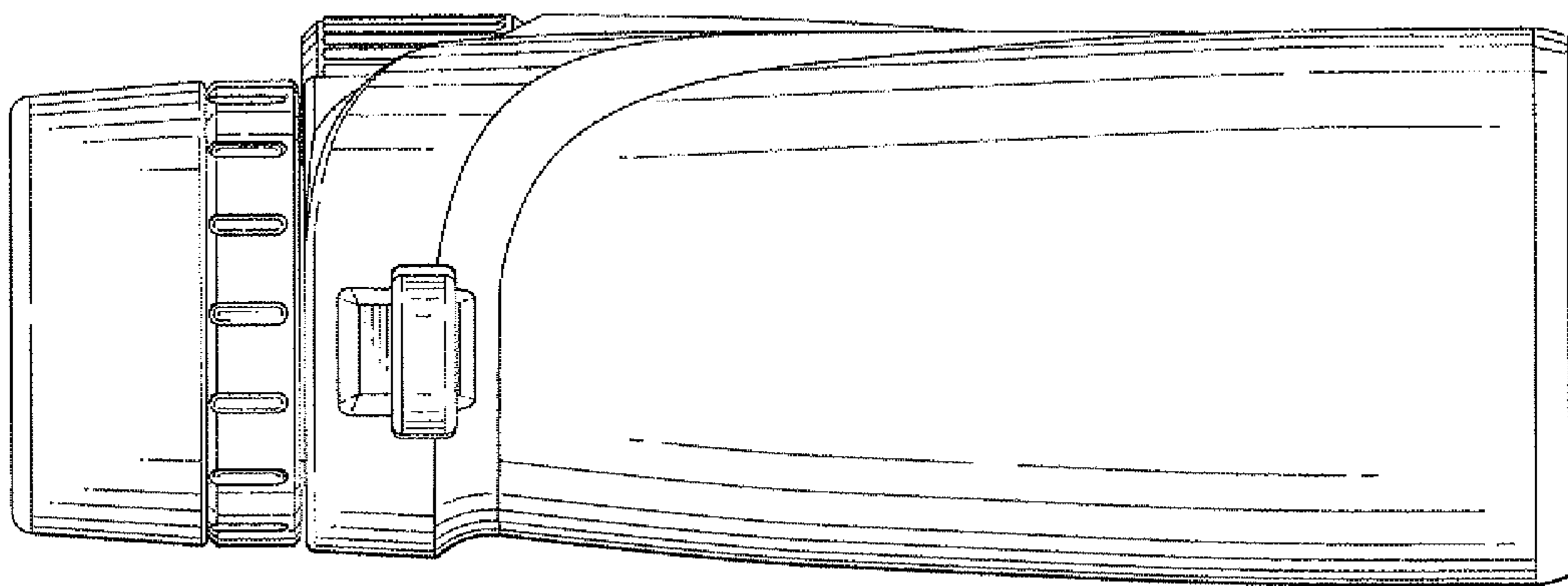


FIG. 6

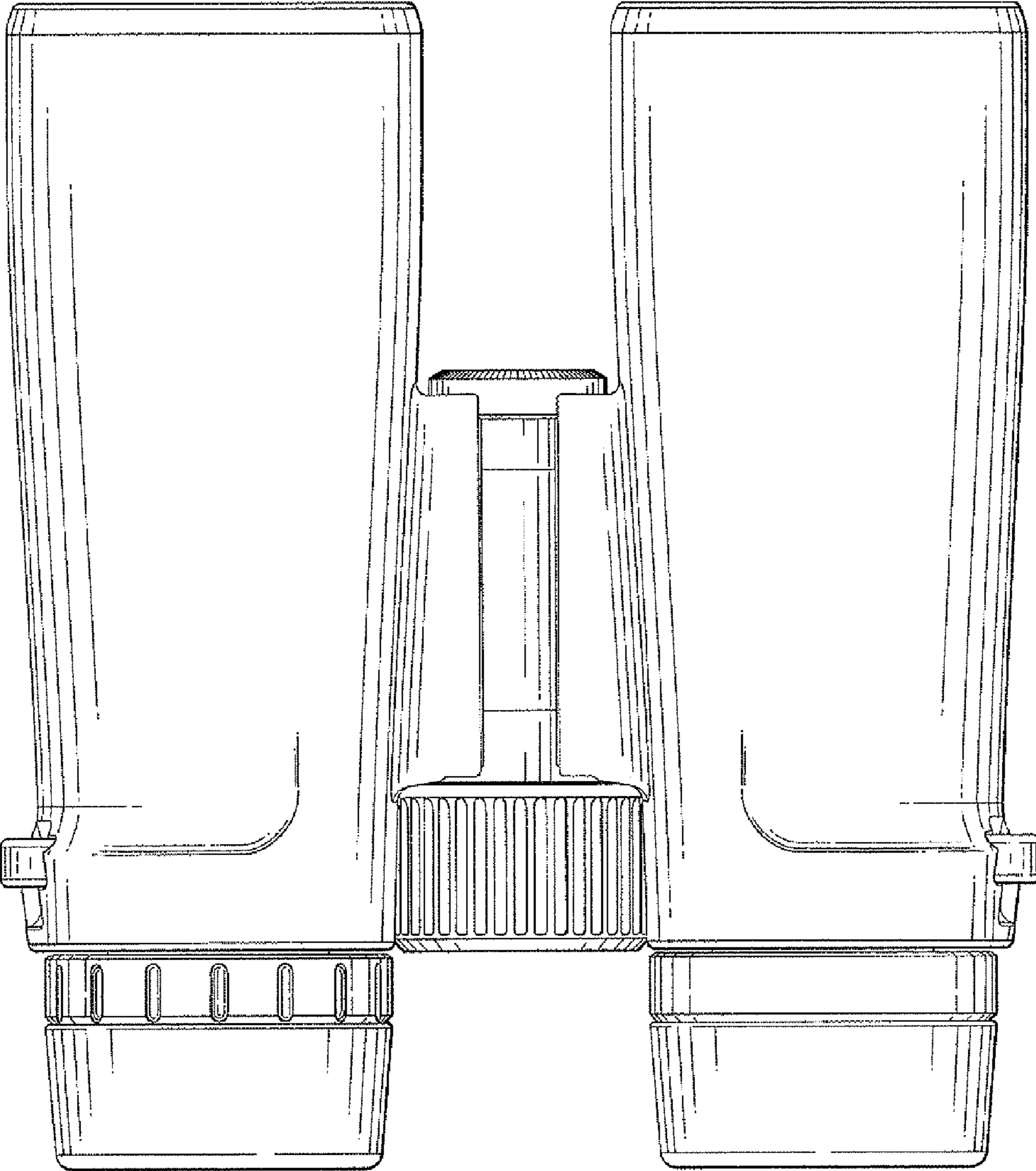


FIG. 7

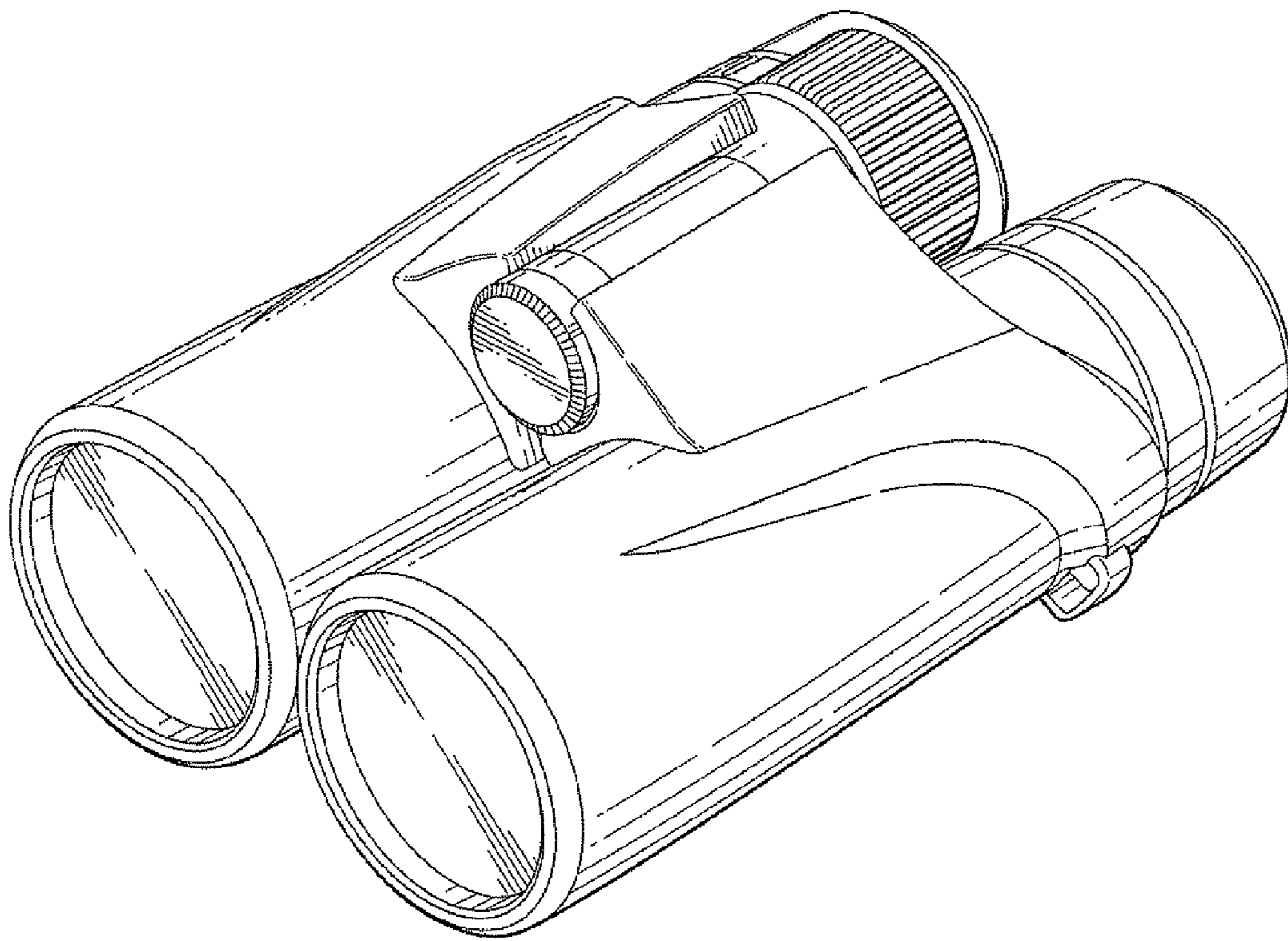


FIG. 8