



US00D627376S

(12) **United States Design Patent**
Mizutani et al.

(10) **Patent No.:** **US D627,376 S**

(45) **Date of Patent:** **** Nov. 16, 2010**

(54) **STOPPER CYLINDER**

(75) Inventors: **Yuu Mizutani**, Tsukubamirai (JP);
Mitsuo Miyamoto, Tsukubamirai (JP)

(73) Assignee: **SMC Corporation**, Chiyoda-ku, Tokyo
(JP)

(**) Term: **14 Years**

(21) Appl. No.: **29/361,370**

(22) Filed: **May 10, 2010**

(30) **Foreign Application Priority Data**

Dec. 9, 2009 (JP) 2009-028645

(51) **LOC (9) Cl.** **15-99**

(52) **U.S. Cl.** **D15/199; D15/143**

(58) **Field of Classification Search** D13/118;
D15/1-5, 143, 148, 199; 74/89.15, 90.15,
74/411.5, 490.09; 198/35 A, 345.1-345.3,
198/346.2, 459.6-459.7, 782; 297/325, 327
See application file for complete search history.

(56) **References Cited**

U.S. PATENT DOCUMENTS

6,164,430 A * 12/2000 Nishimura 198/345.1
7,484,615 B2 * 2/2009 Miyamoto 198/345.1
2007/0295578 A1 * 12/2007 Miyamoto 198/345.1
2009/0159393 A1 * 6/2009 Lindemann et al. 193/35 A

* cited by examiner

Primary Examiner—Patricia Palasik
(74) *Attorney, Agent, or Firm*—Yokoi & Co., U.S.A., Inc.;
Toshiyuki Yokoi

(57) **CLAIM**

The ornamental design for a stopper cylinder, as shown and described.

DESCRIPTION

FIG. 1 shows a front view of a stopper cylinder showing my new design;

FIG. 2 shows a rear view thereof;

FIG. 3 shows a right side view thereof;

FIG. 4 shows a left side view thereof;

FIG. 5 shows a top view thereof;

FIG. 6 shows a bottom view thereof;

FIG. 7 shows a bottom, front and left side perspective view thereof;

FIG. 8 shows a bottom, rear and left side perspective view thereof;

FIG. 9 shows a top, rear and left side perspective view thereof; and,

FIG. 10 shows a top, front and left side perspective view thereof.

The broken lines in the drawings depict unclaimed environmental subject matter.

1 Claim, 6 Drawing Sheets

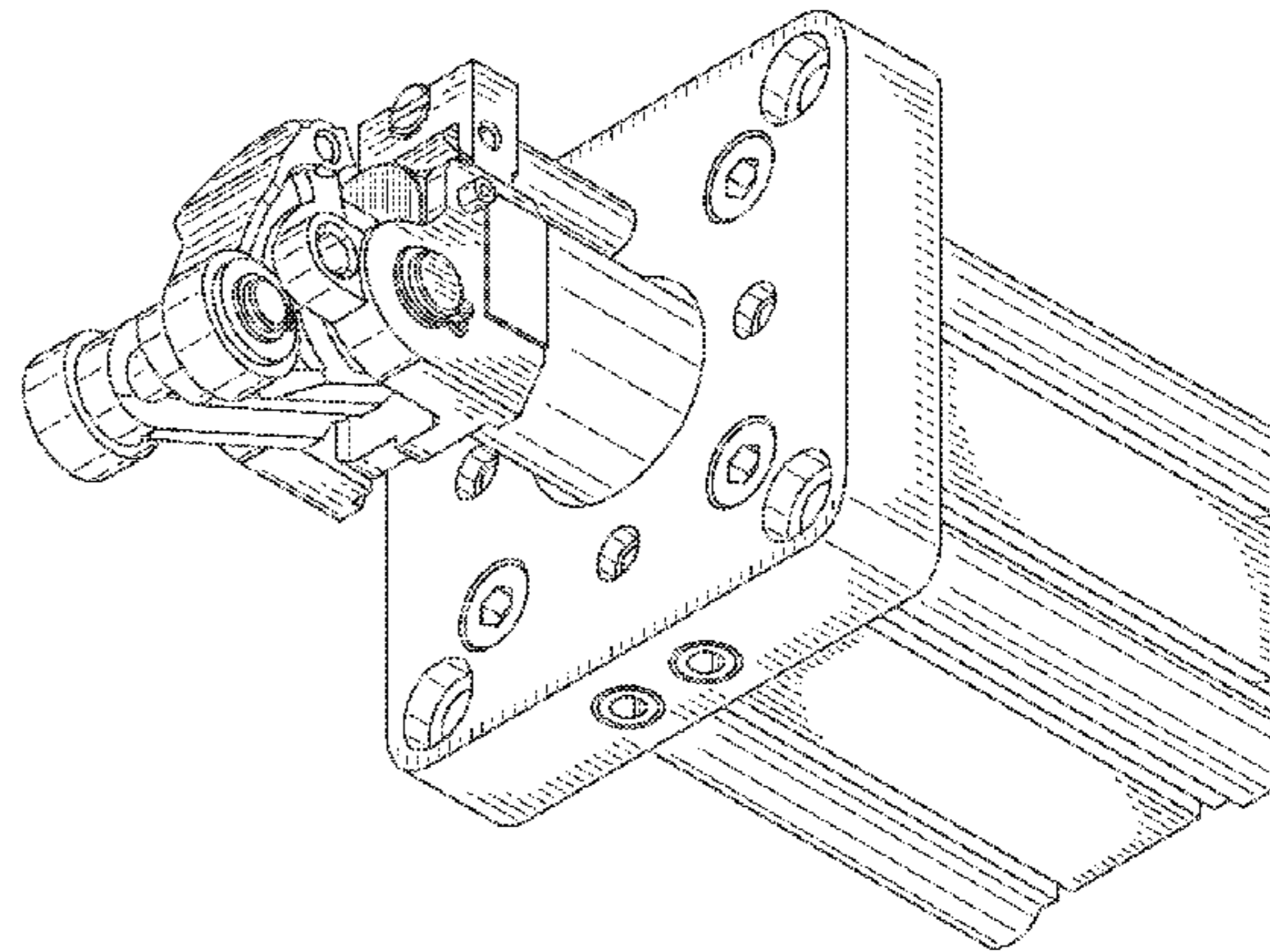
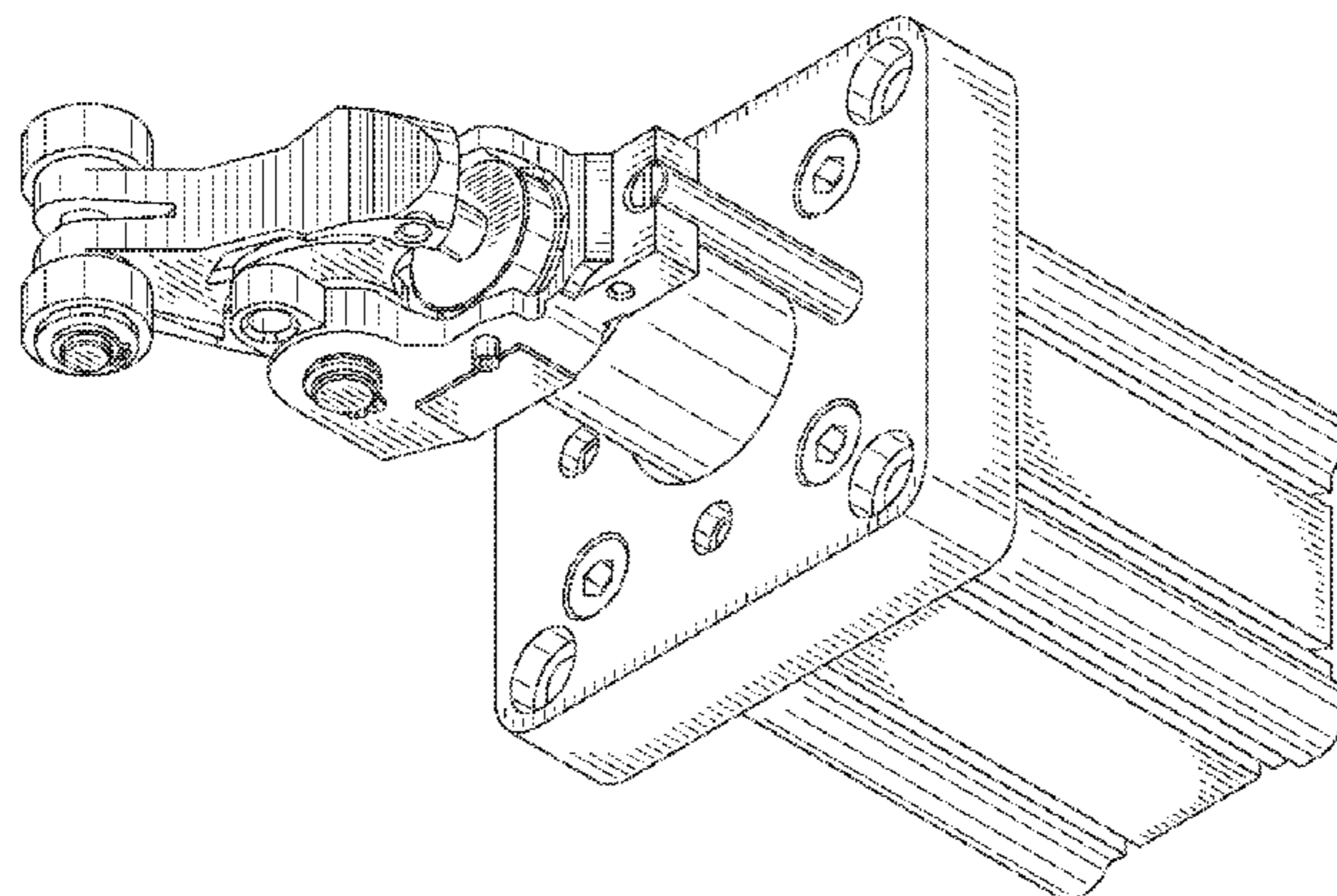


FIG. 1

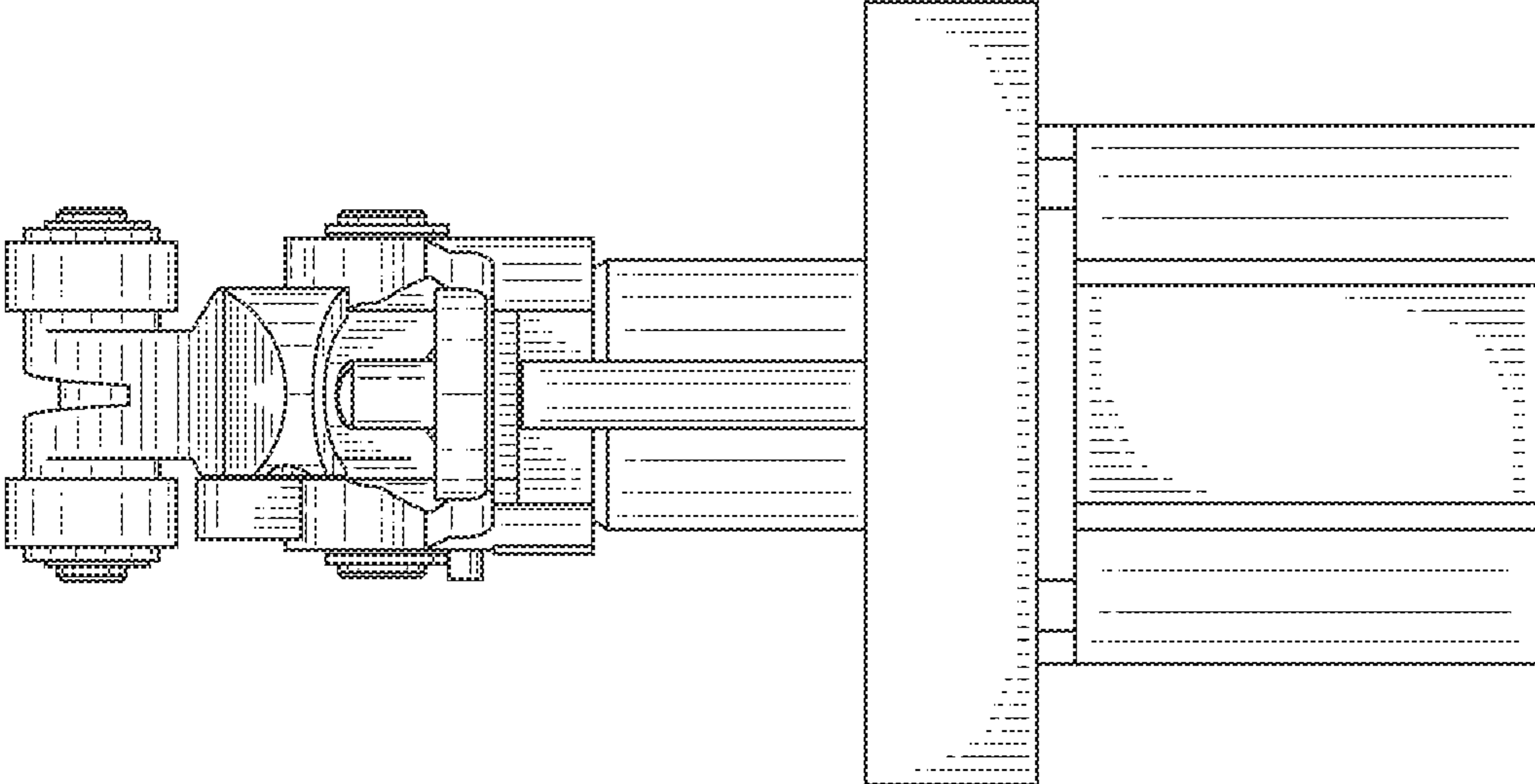


FIG. 2

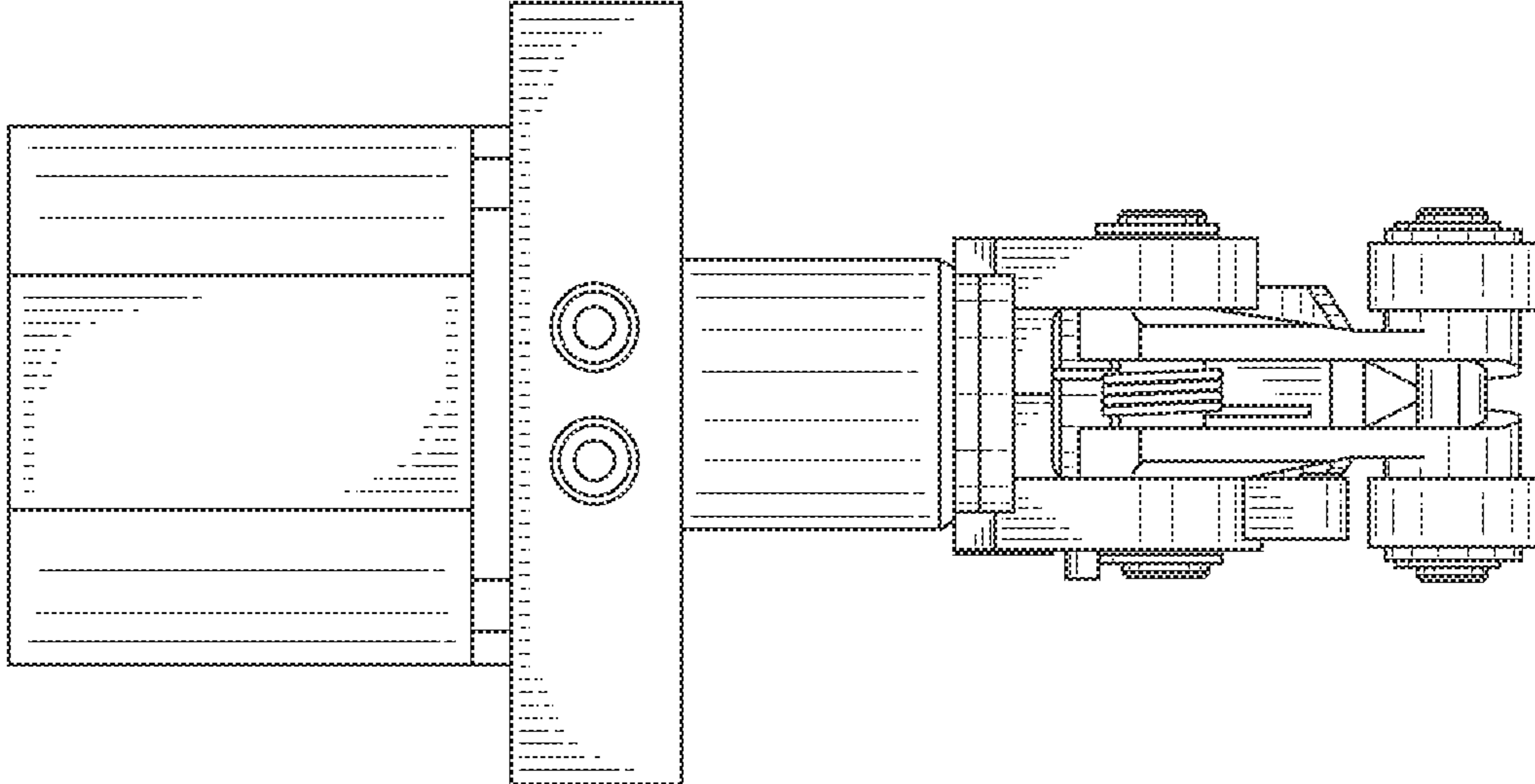


FIG. 3

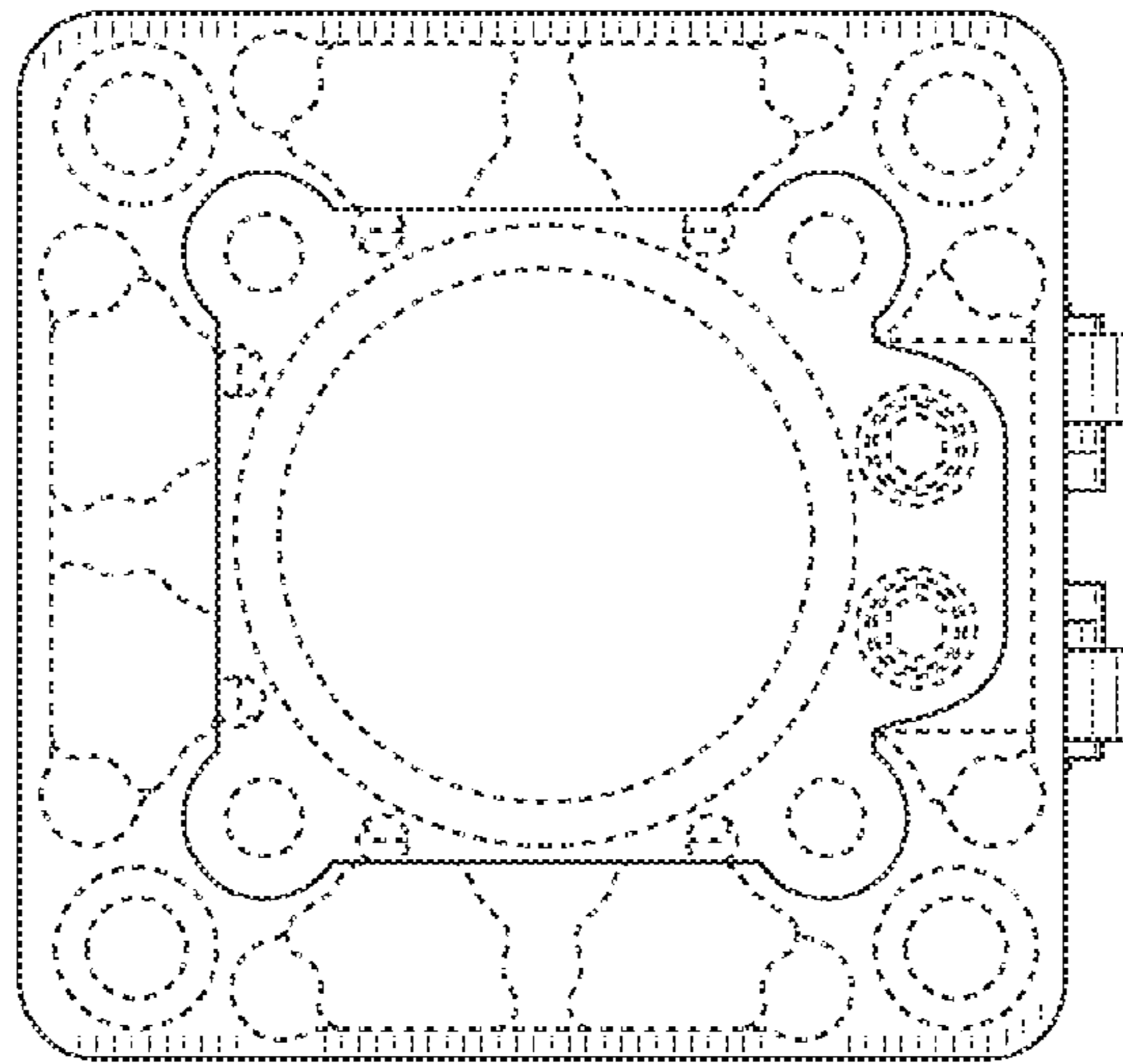


FIG. 4

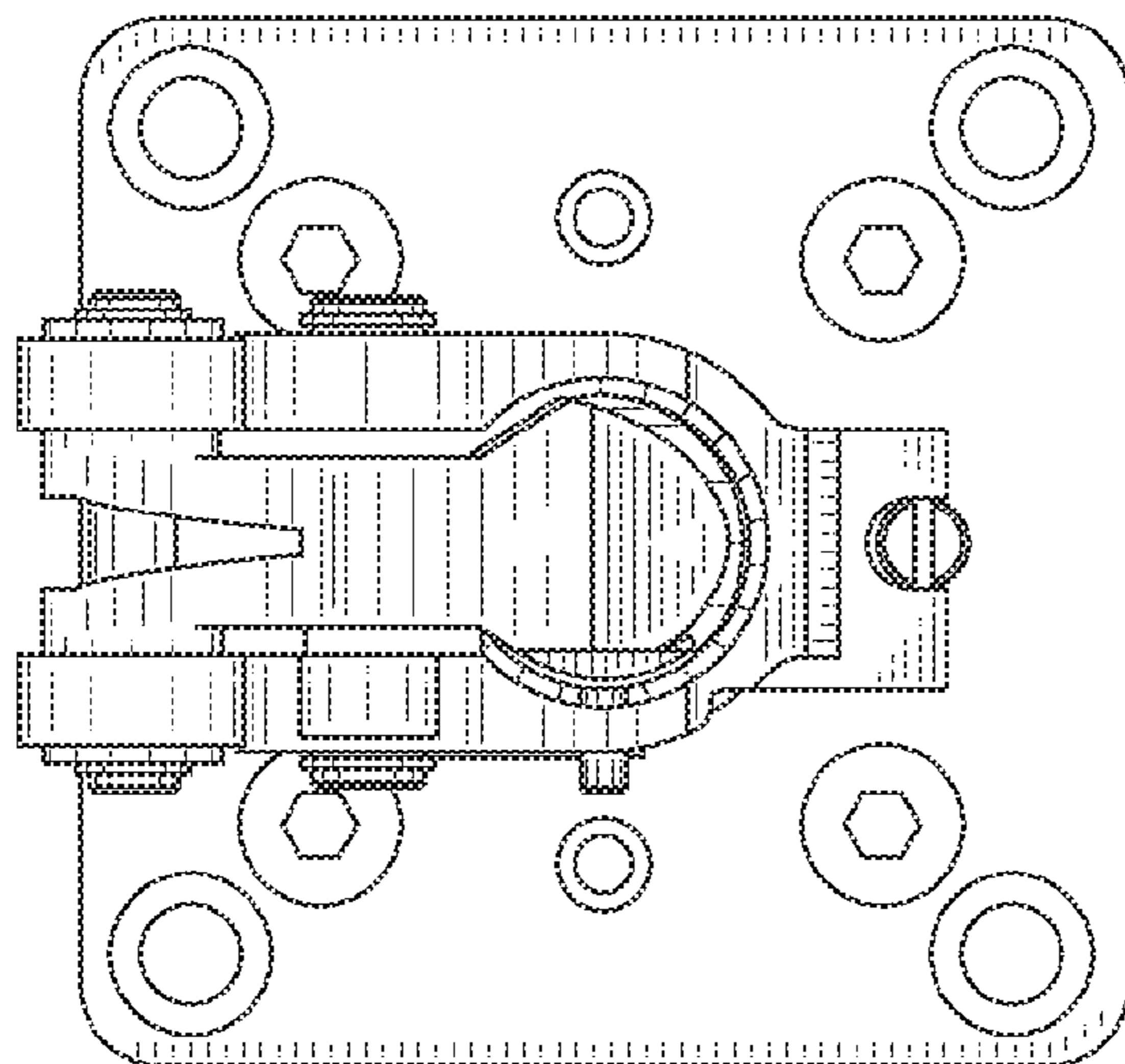


FIG. 5

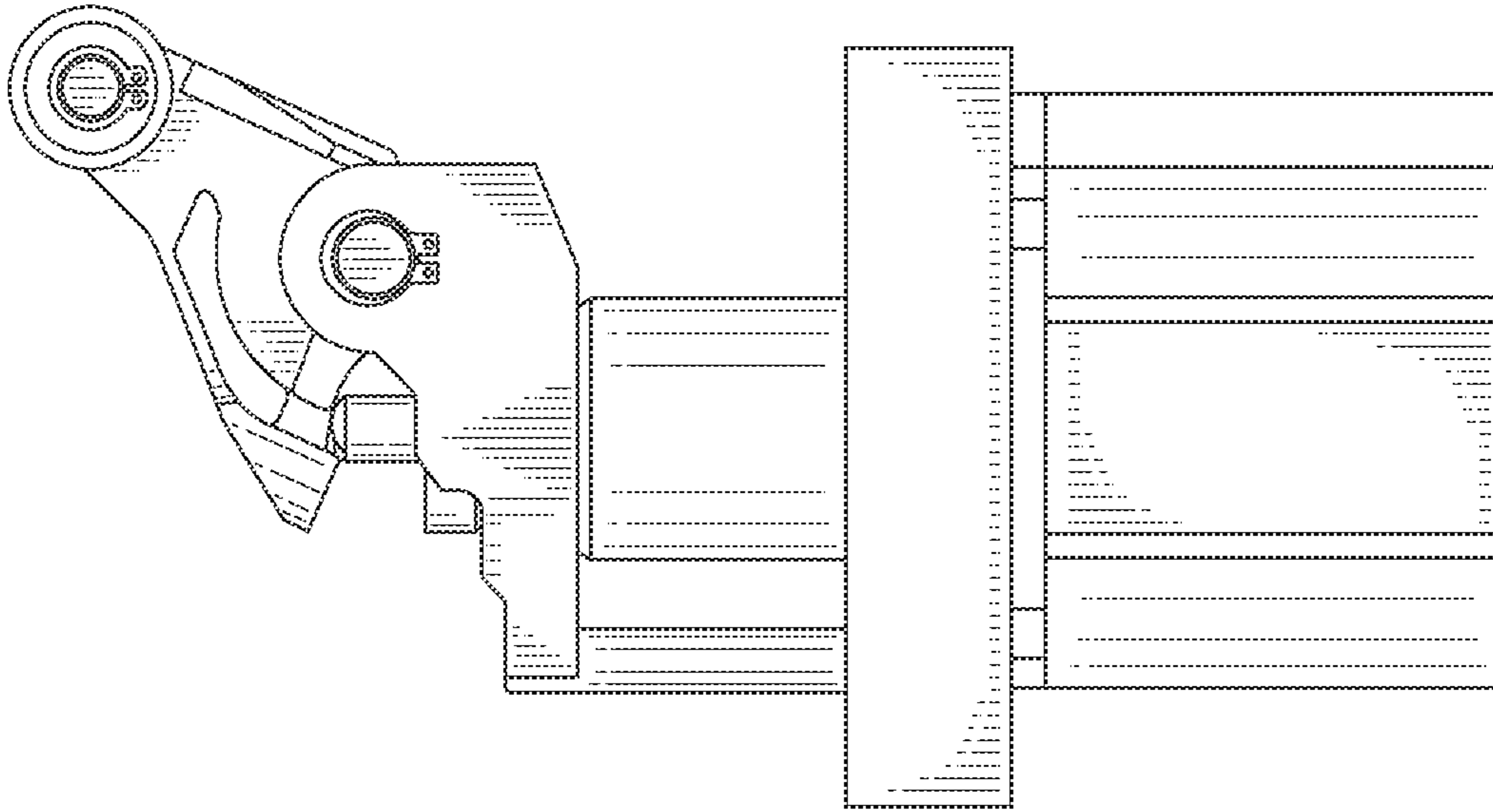


FIG. 6

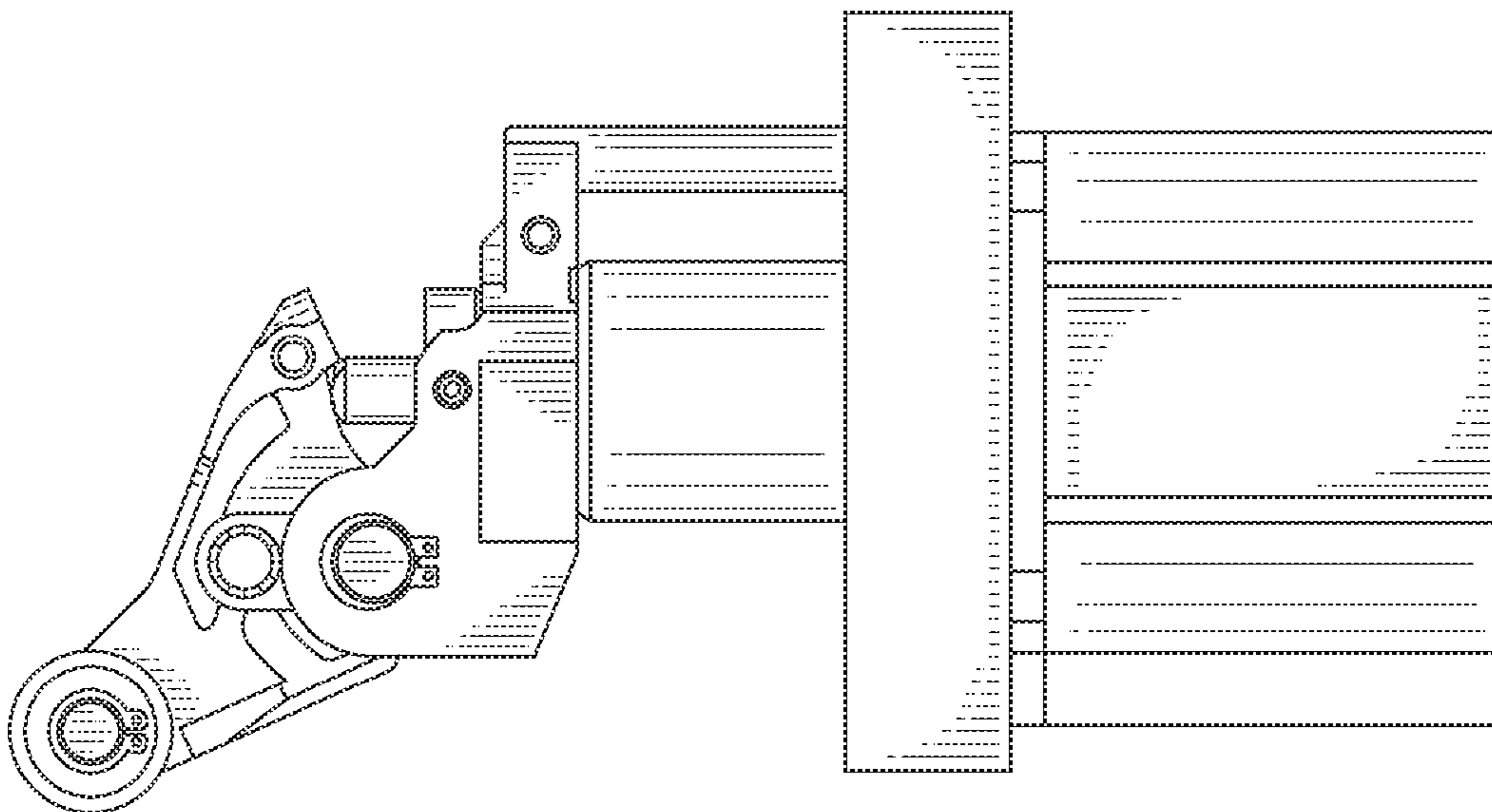


FIG. 7

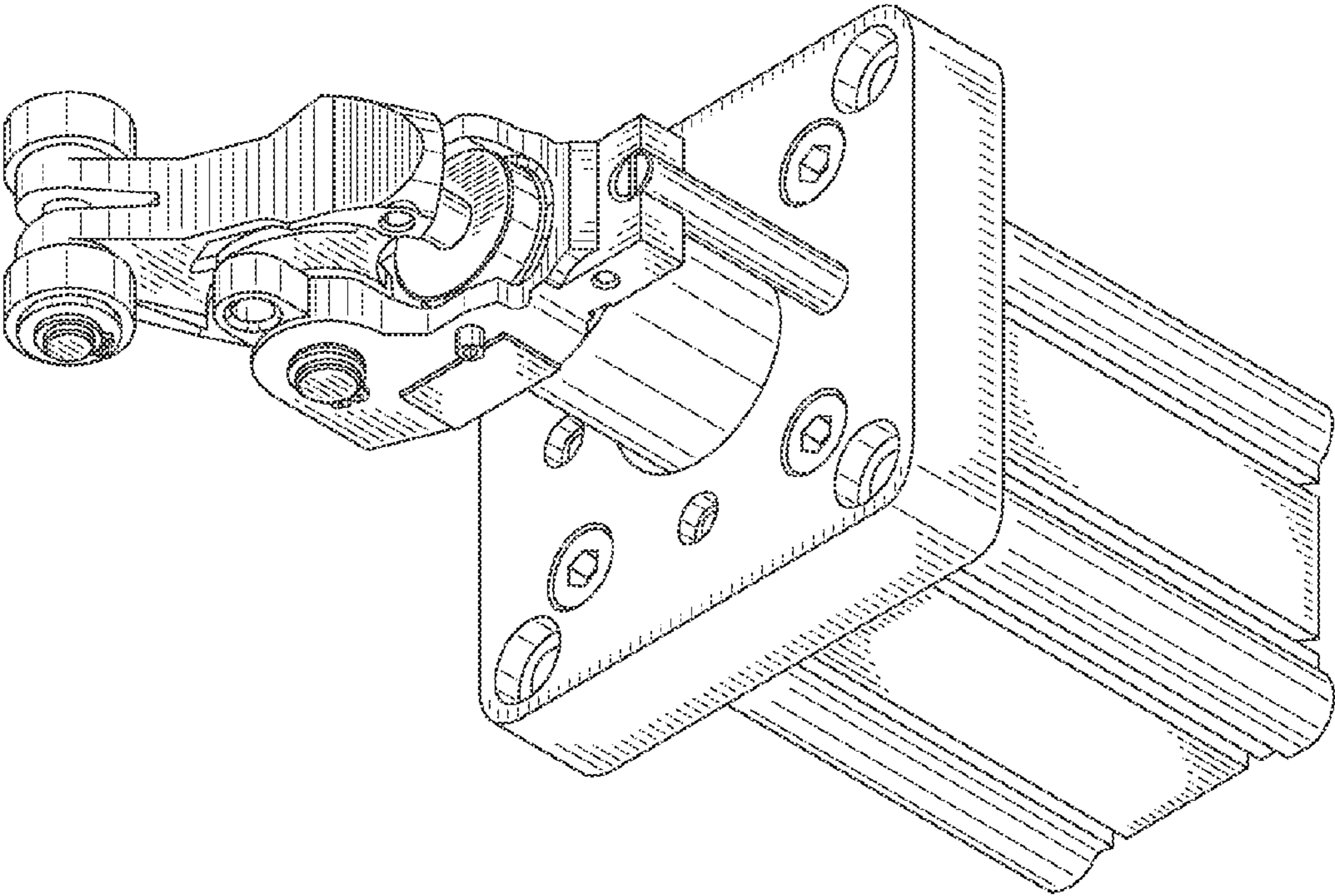


FIG. 8

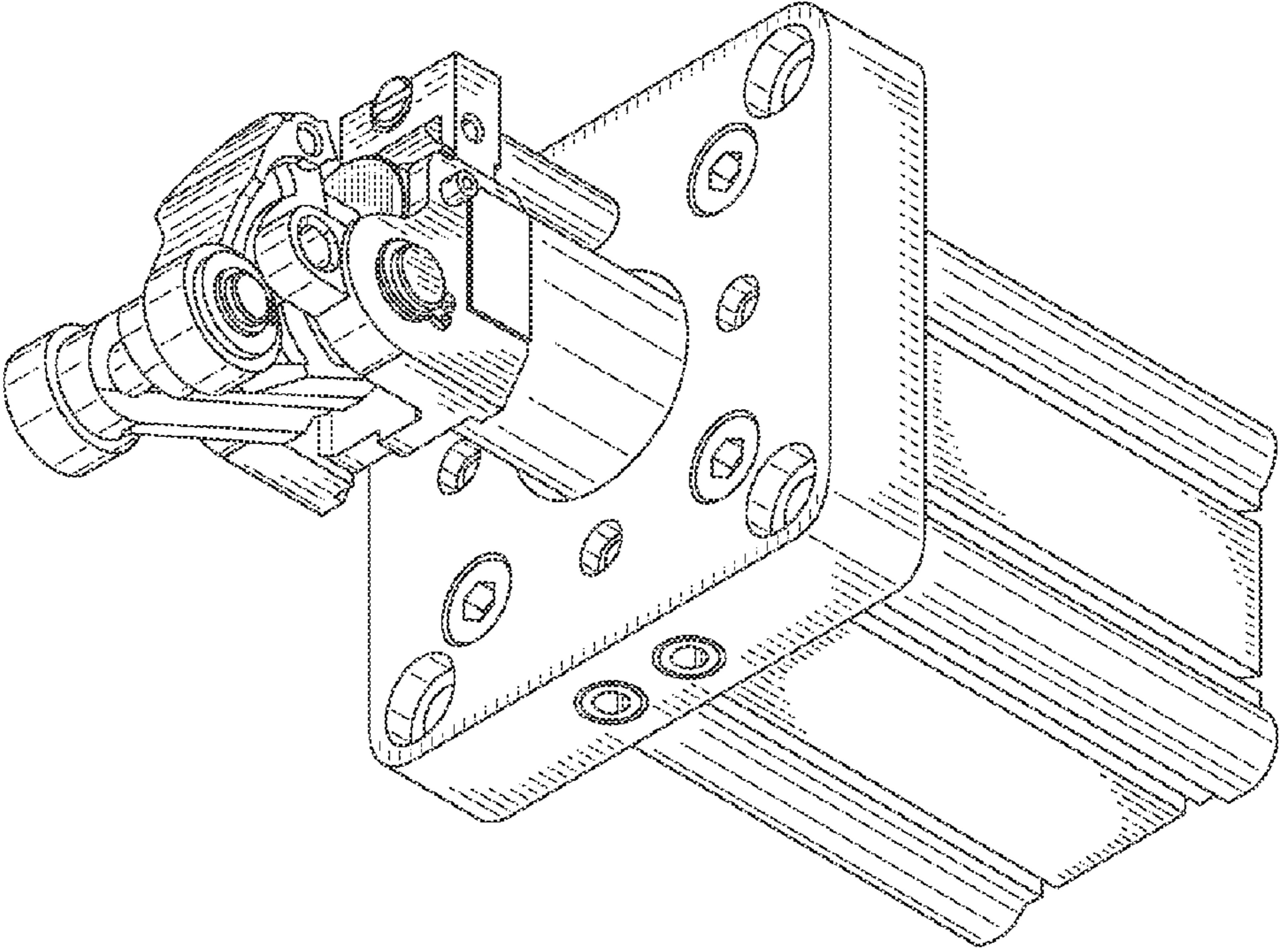


FIG. 9

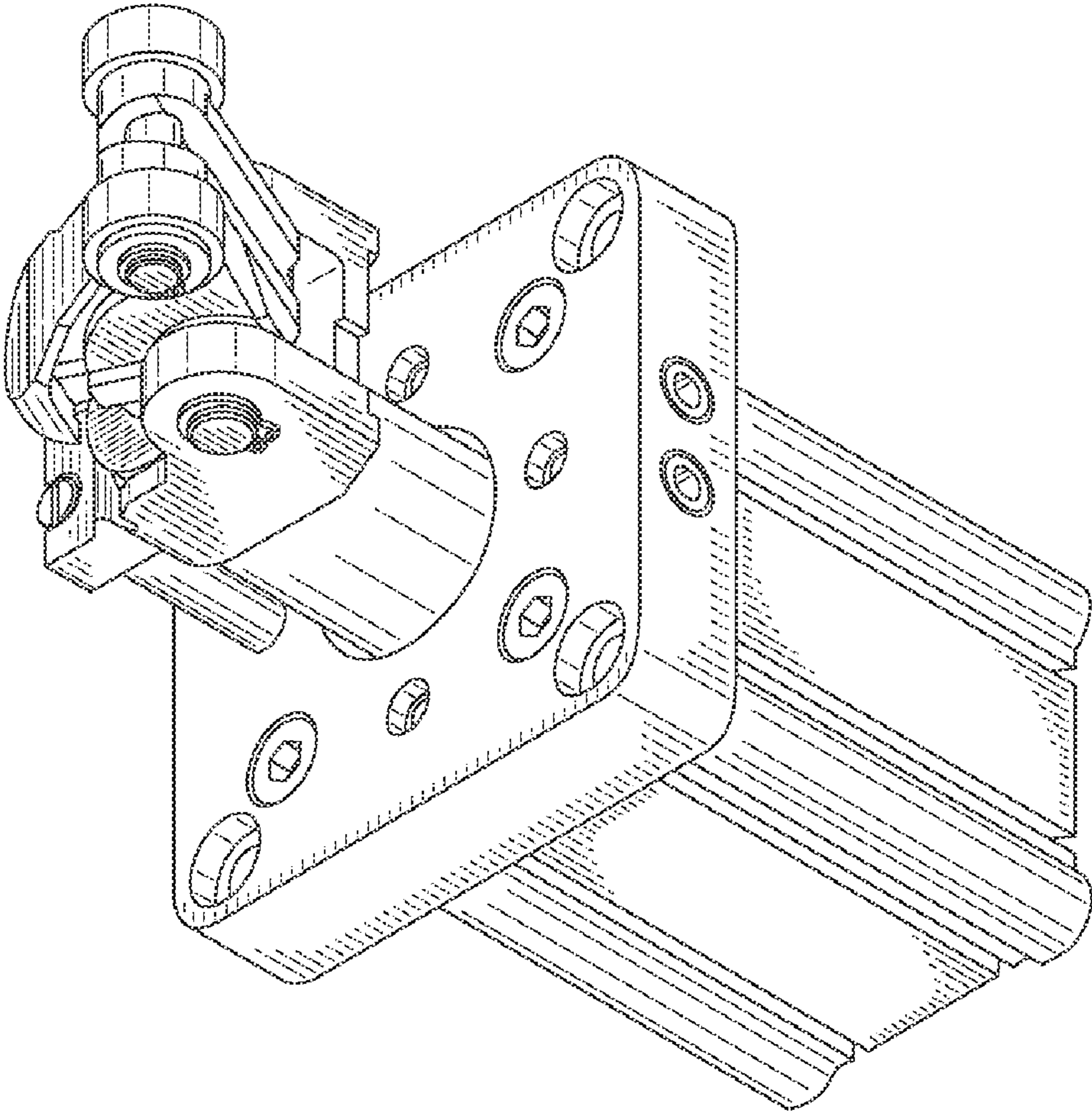


FIG. 10

