



US00D627375S

(12) **United States Design Patent**
Jacquet et al.

(10) **Patent No.:** **US D627,375 S**
(45) **Date of Patent:** **** Nov. 16, 2010**

(54) **MACHINE TOOL**

(75) Inventors: **Remy Jacquet**, Le Locle (CH); **William Kohler**, La Chaux-de-Fonds (CH); **Peter Handlbauer**, Voiron (FR); **Pierre Struzka**, Lausanne (CH); **Patrick Ammon**, Bienne (CH)

(73) Assignees: **Agie Charmilles, SA**, Losone (CH); **Charmilles Technologies SA**, Meyrin (CH)

(**) Term: **14 Years**

(21) Appl. No.: **29/356,425**

(22) Filed: **Feb. 25, 2010**

Related U.S. Application Data

(62) Division of application No. 29/293,977, filed on Dec. 19, 2007.

Foreign Application Priority Data

Jun. 20, 2007 (EM) 000743323

(51) **LOC (9) Cl.** **15-09**

(52) **U.S. Cl.** **D15/122**

(58) **Field of Classification Search** D15/122,
D15/124, 127, 128, 130, 131; 29/26 A, 26 R,
29/30, 33 A-33 T, 34 R, 39, 50, 563-566,
29/564.1-564.8; 483/17-57

See application file for complete search history.

(56) **References Cited**

U.S. PATENT DOCUMENTS

D265,912 S * 8/1982 Frenkel D15/138
4,443,929 A * 4/1984 Bayer et al. 483/32
D301,585 S * 6/1989 Linn D15/138

D319,834 S * 9/1991 Rutschle D15/131
D415,175 S * 10/1999 Lin D15/127
D427,614 S * 7/2000 Miyake et al. D15/127
D428,025 S * 7/2000 Miyake et al. D15/127
D445,807 S * 7/2001 Baulk D15/127
D472,250 S * 3/2003 Mariotta et al. D15/127
D489,077 S * 4/2004 Bloch D15/127
D542,311 S * 5/2007 Inaba et al. D15/127
D548,754 S * 8/2007 Itabashi et al. D15/122
D548,755 S * 8/2007 Takeshima et al. D15/122
D551,268 S * 9/2007 Iwamoto et al. D15/127
D559,283 S * 1/2008 Takeda et al. D15/127
D559,871 S * 1/2008 Kittaka et al. D15/122
D567,263 S * 4/2008 Sugihara et al. D15/122

* cited by examiner

Primary Examiner—Patricia Palasik

(74) *Attorney, Agent, or Firm*—Harness, Dickey & Pierce, P.L.C.

(57) **CLAIM**

The ornamental design for machine tools, as shown and described.

DESCRIPTION

FIG. 1 shows a front view of the design;

FIG. 2 shows a side view of the design from one side;

FIG. 3 shows a side view of the design from the other side;

FIG. 4 shows a top view of the design;

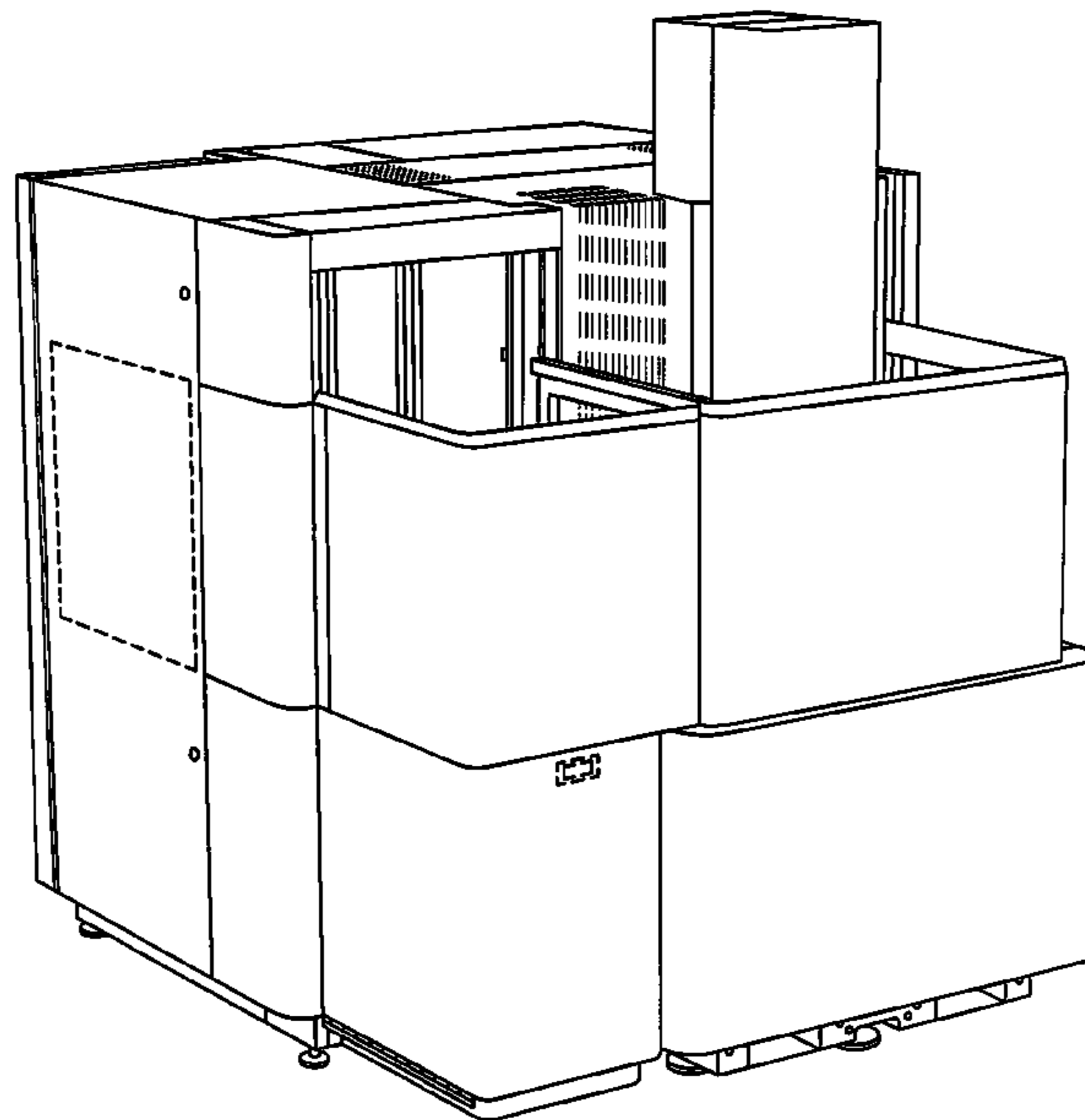
FIG. 5 shows a backside view of the design;

FIG. 6 shows a perspective view of the design; and,

FIG. 7 shows a perspective view of the design with retracted electrode changer section.

The broken lines are for environmental purposes only and form no part of the claimed design.

1 Claim, 7 Drawing Sheets



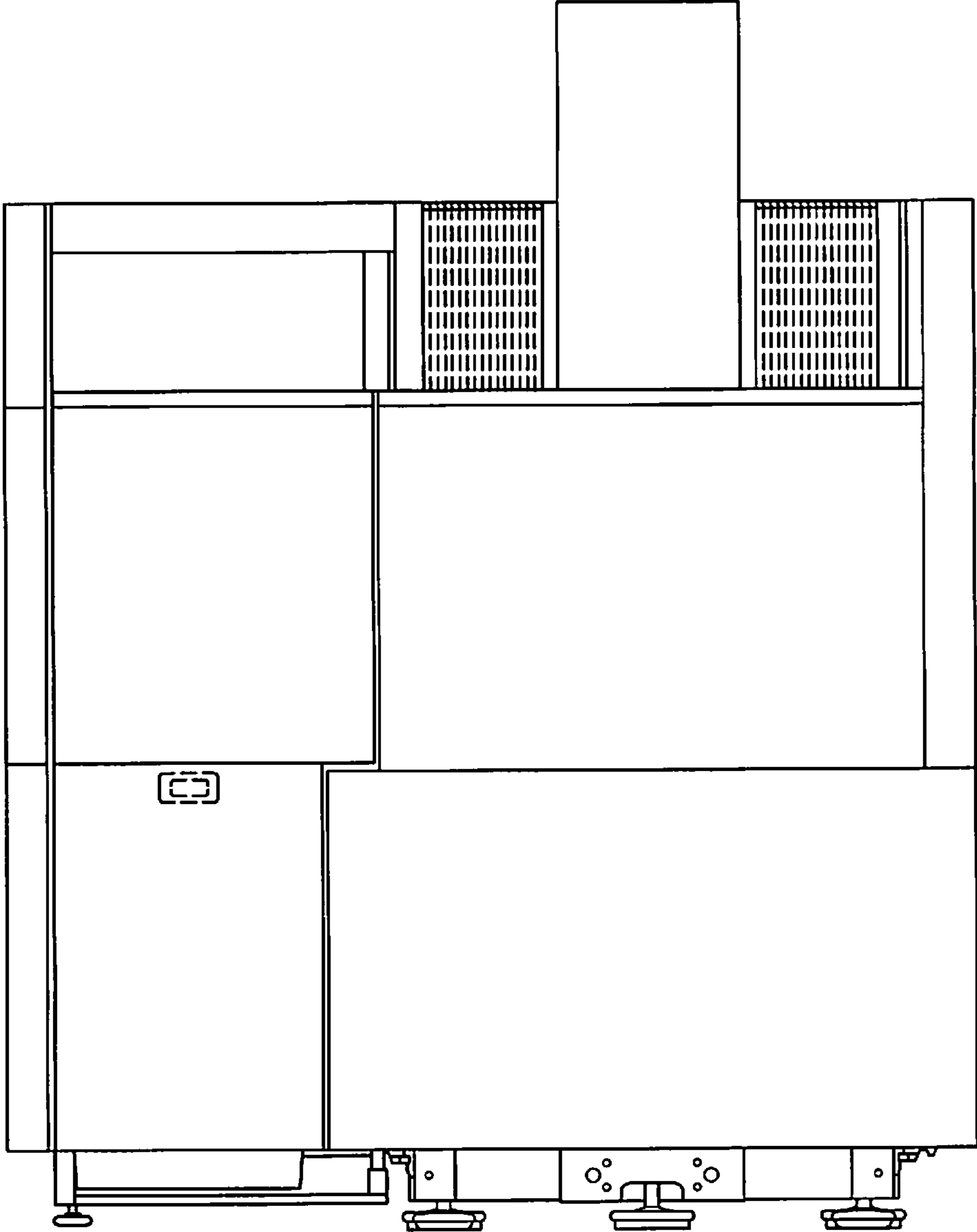


Fig-1

Fig-2

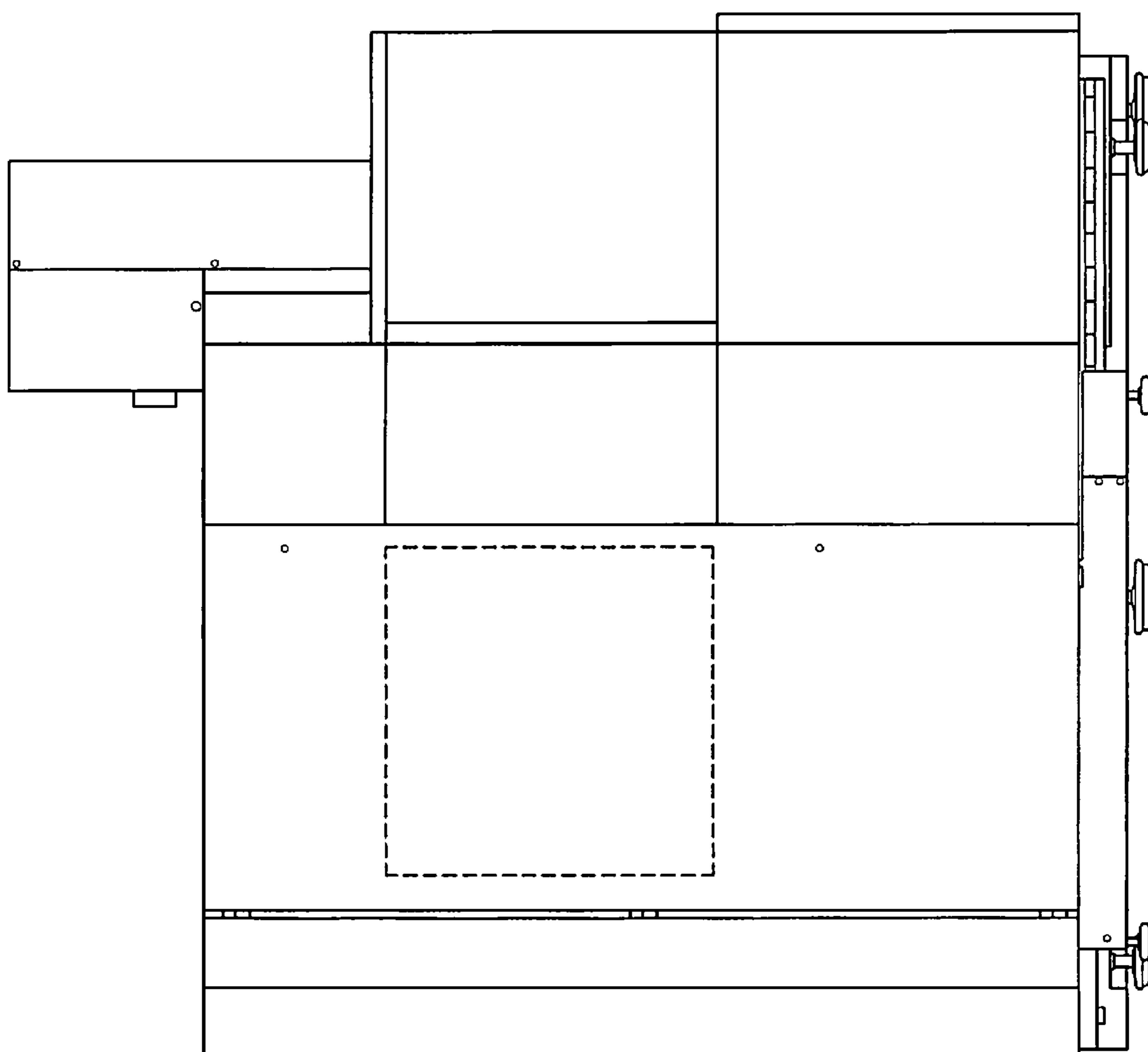
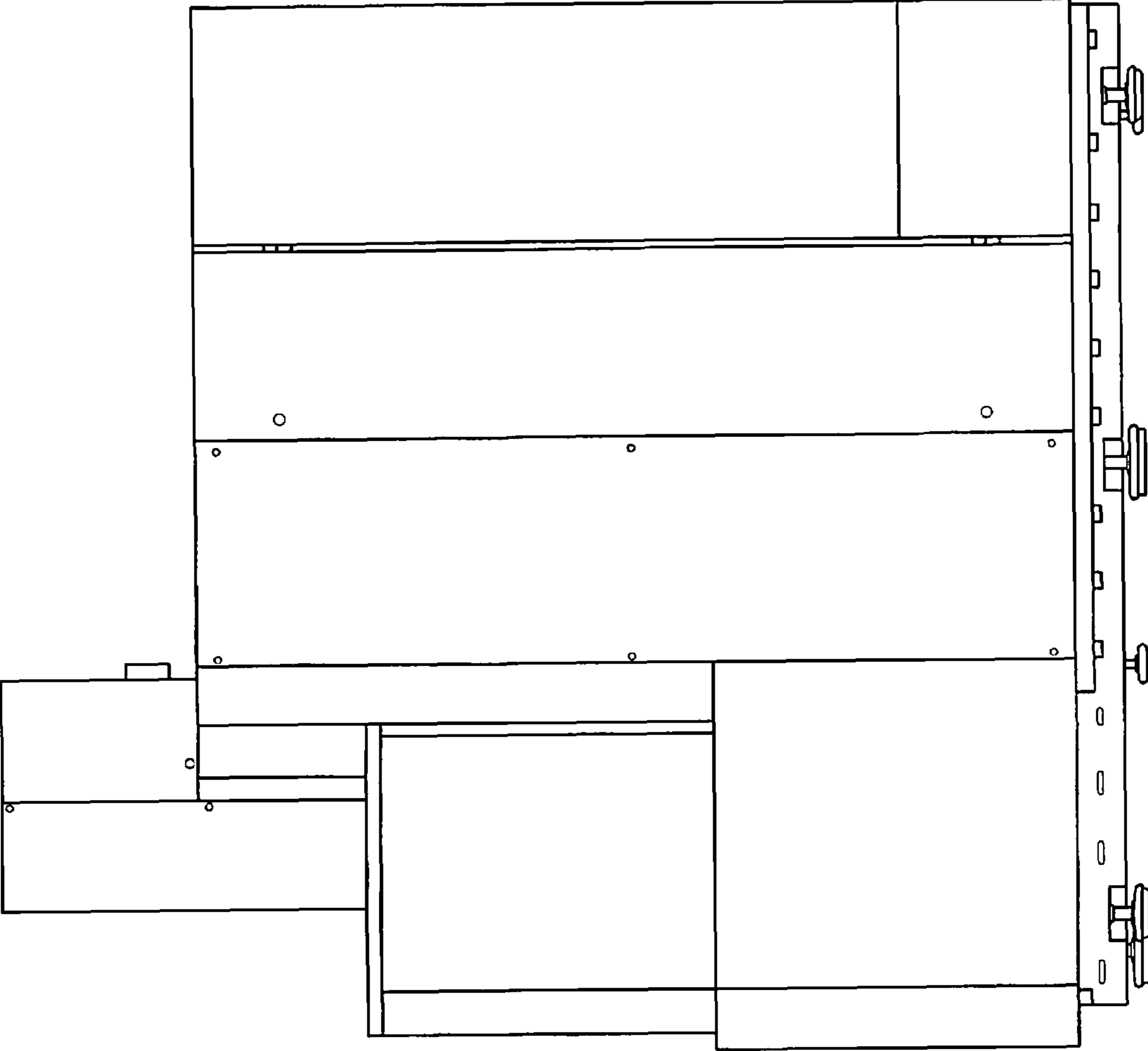


Fig -3



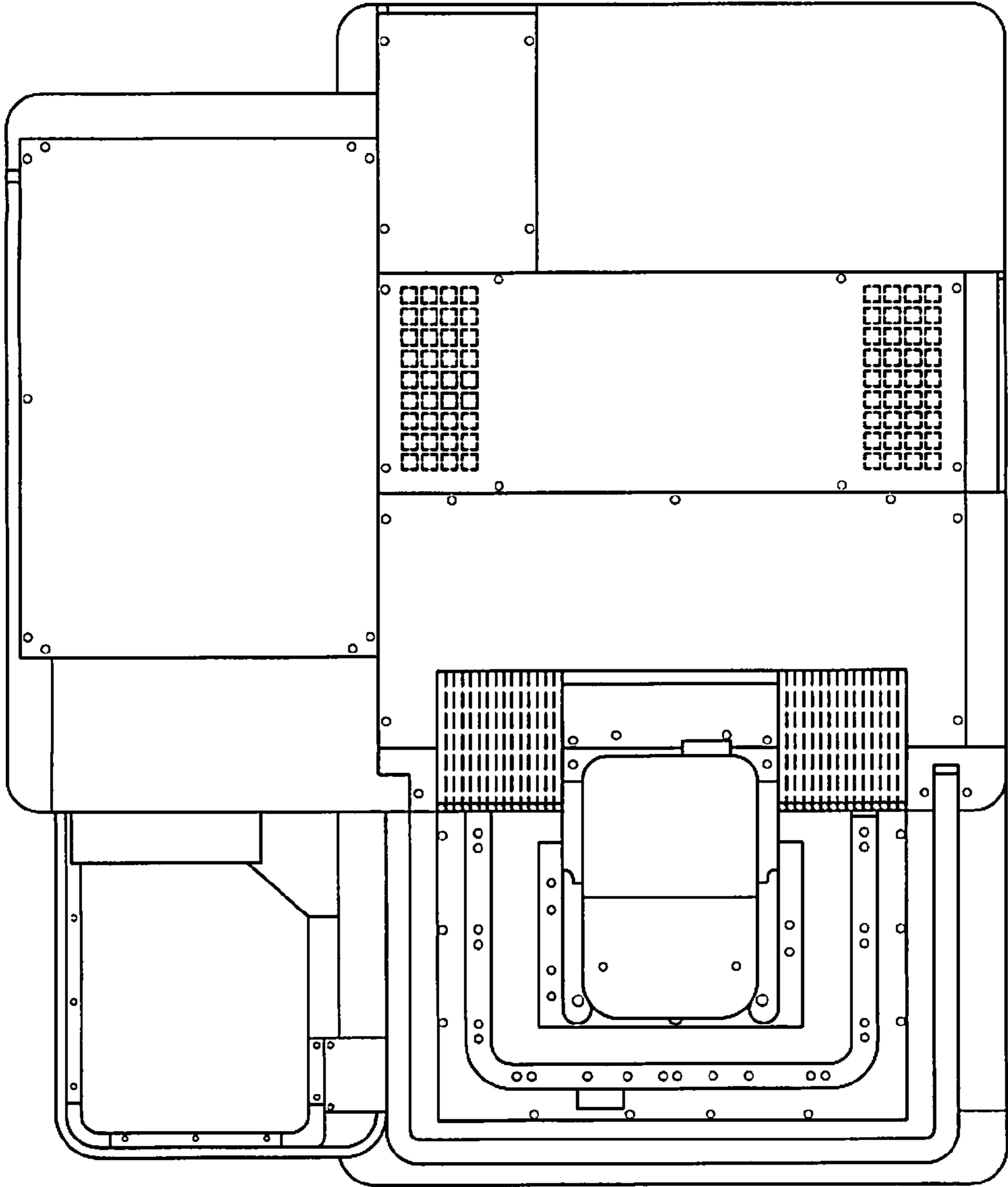


Fig-4

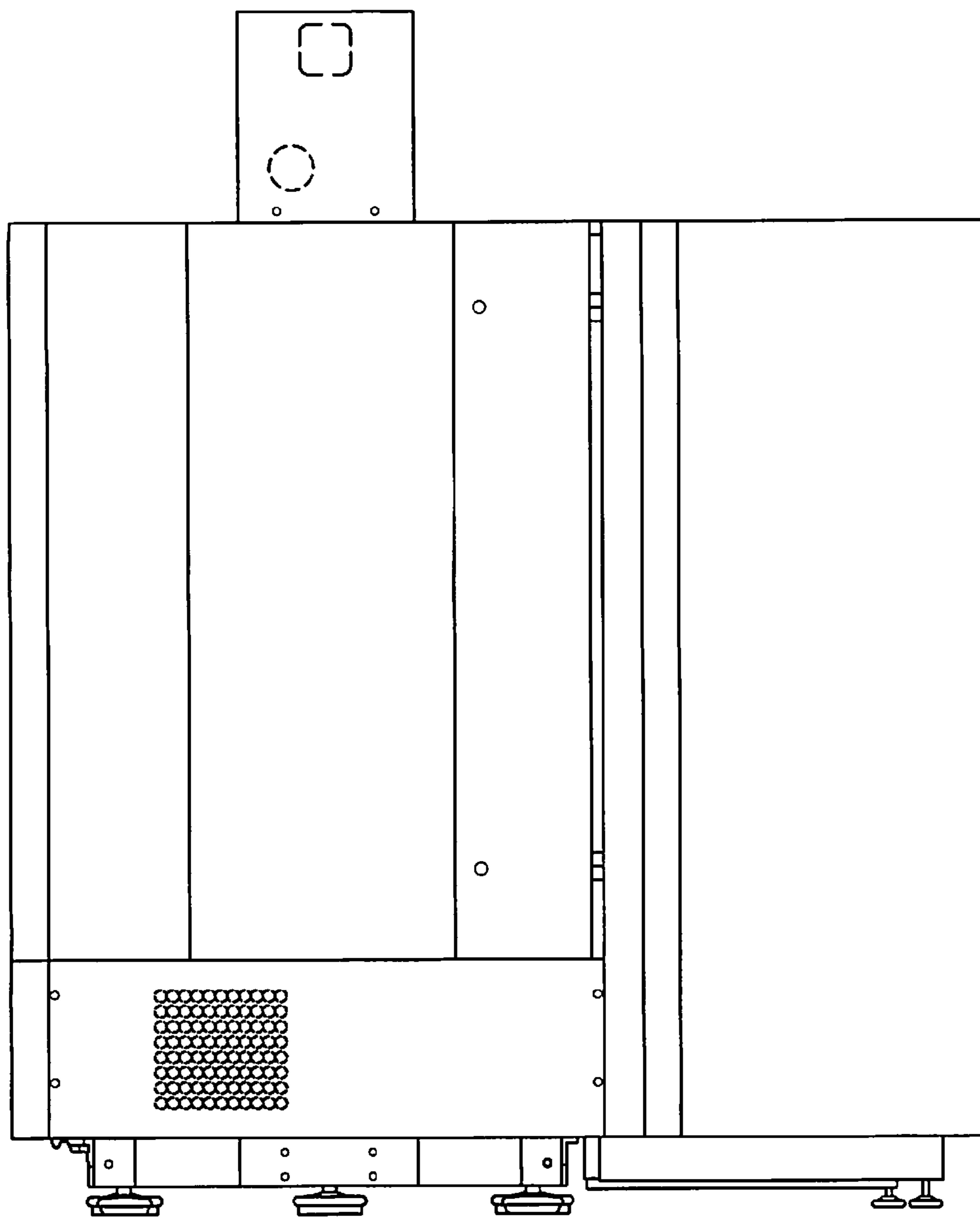


Fig-5

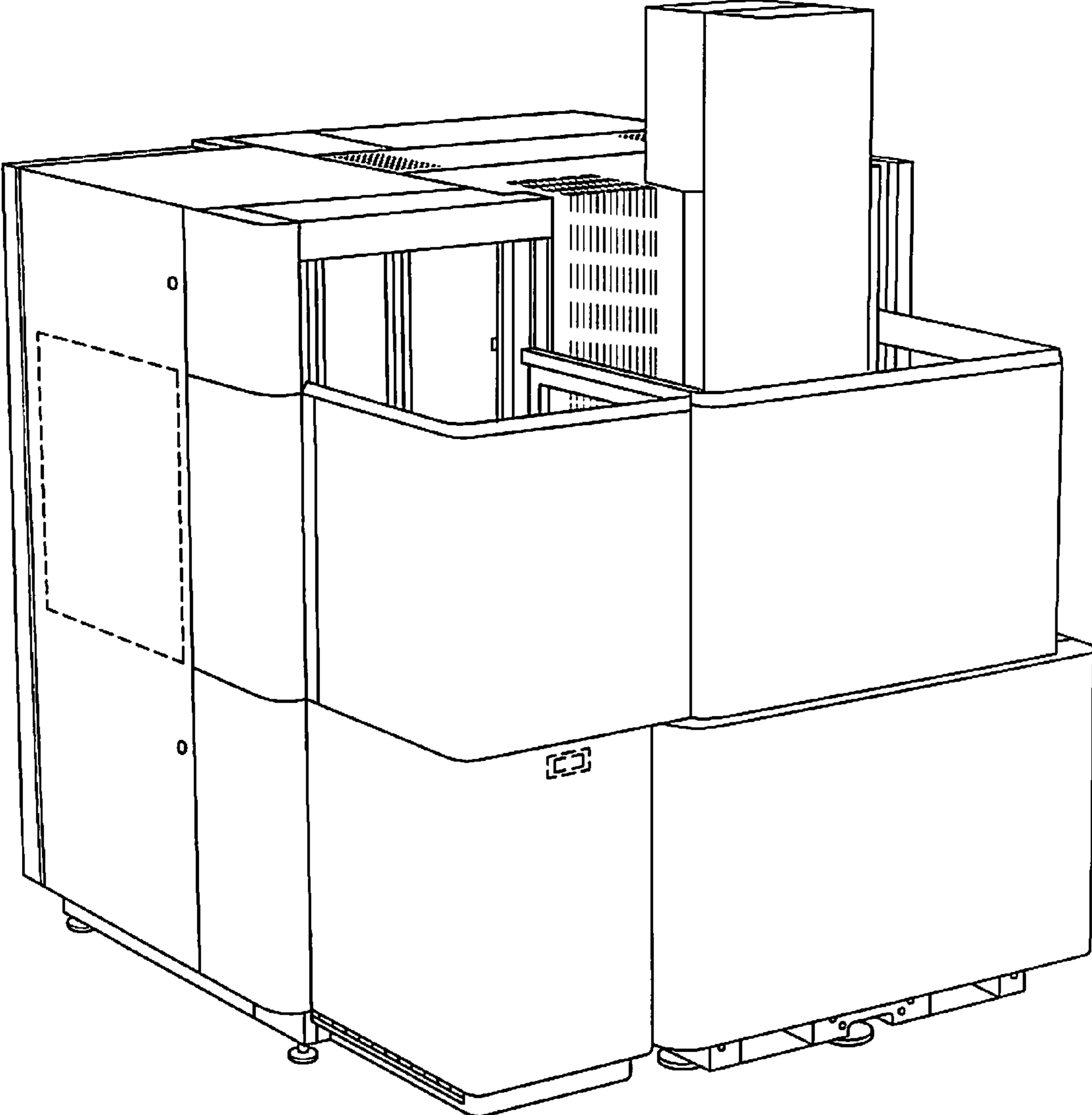


Fig-6

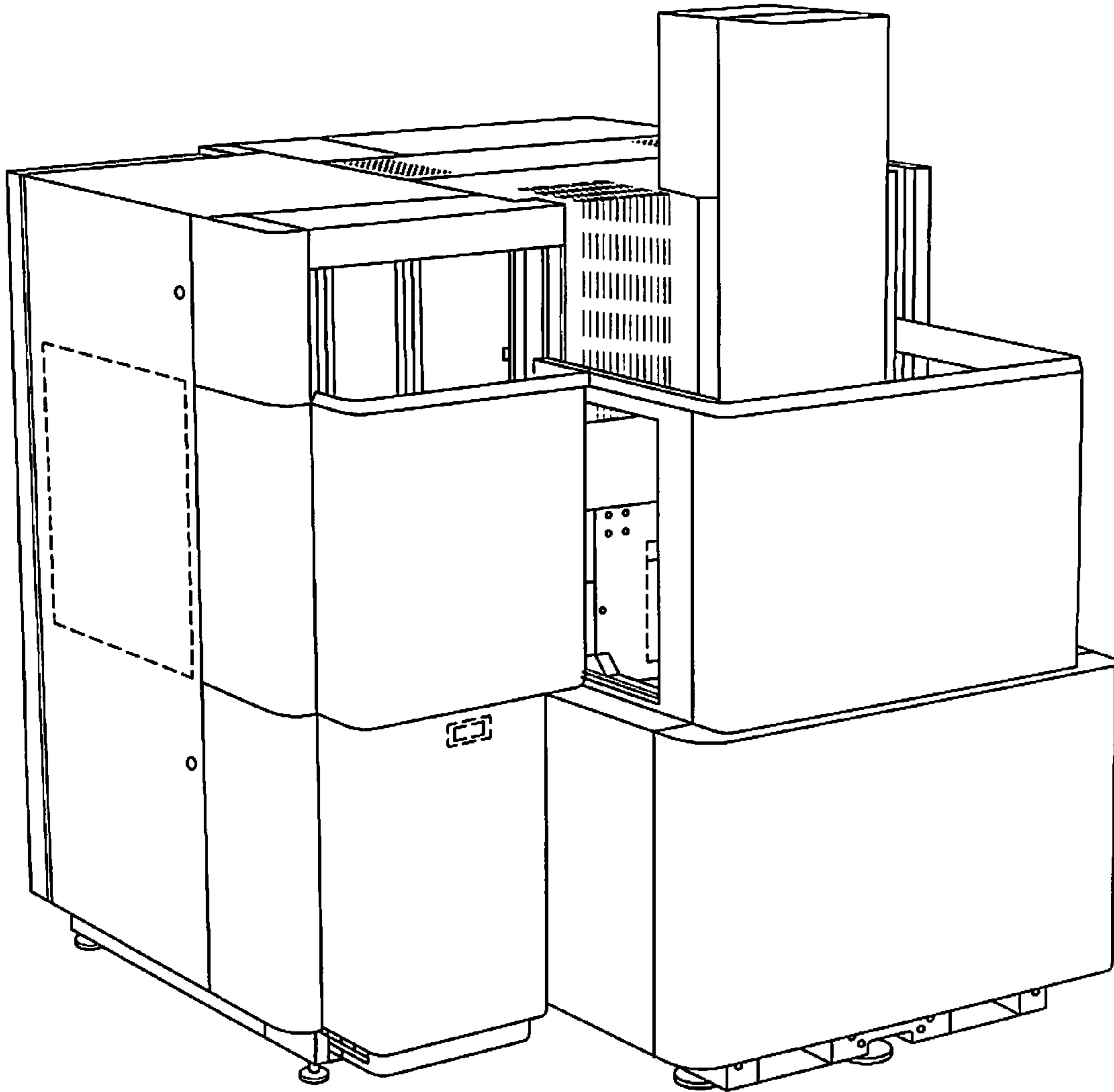


Fig-7