



US00D627370S

(12) **United States Design Patent**
Moser et al.

(10) **Patent No.:** **US D627,370 S**

(45) **Date of Patent:** **** Nov. 16, 2010**

(54) **AIR COMPRESSOR WITH CONICAL EXTENSION**

D549,735 S * 8/2007 Moser, III D15/9
D549,736 S * 8/2007 Moser, III D15/9
D588,163 S * 3/2009 Moser et al. D15/9

(75) Inventors: **John Moser**, Scottsdale, AZ (US);
Taylor A Jenkins, Nampa, ID (US);
James J Girard, Boise, ID (US)

* cited by examiner

Primary Examiner—Ralf Seifert

(73) Assignee: **Q-Industries, Inc.**, Fort Lauderdale, FL (US)

(74) *Attorney, Agent, or Firm*—Feldman Gale, P.A.; Michael C. Cesarano

(**) Term: **14 Years**

(57) **CLAIM**

(21) Appl. No.: **29/324,571**

The ornamental design for an “air compressor with conical extension,” as shown and described.

(22) Filed: **Sep. 15, 2008**

DESCRIPTION

(51) **LOC (9) Cl.** **15-02**

FIG. 1 is a top plan view of the air compressor with conical extension, showing the present invention.

(52) **U.S. Cl.** **D15/9**

FIG. 2 is a right side elevational view thereof;

(58) **Field of Classification Search** D15/7-9;

FIG. 3 is bottom plan view thereof;

D23/231, 232, 225; 417/410.1, 359, 415-416,

FIG. 4 is a left side elevational view thereof;

417/234, 321, 265, 405

FIG. 5 is a front elevational view thereof; and,

See application file for complete search history.

FIG. 6 is rear elevational view thereof.

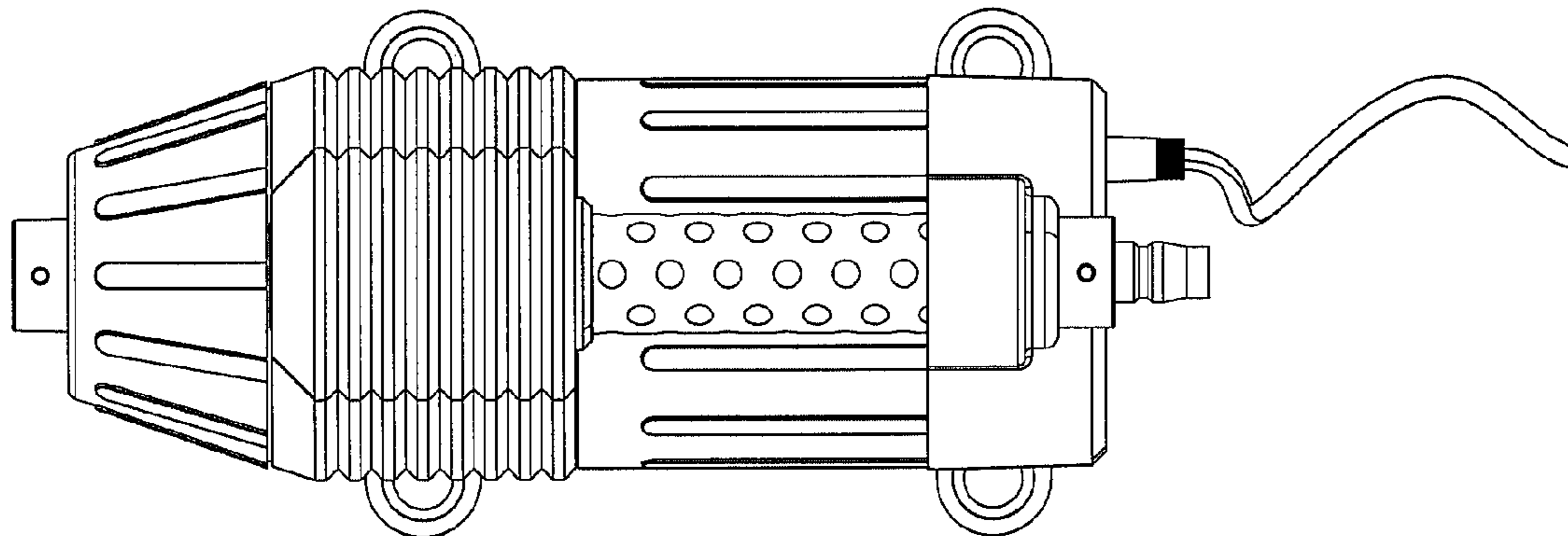
(56) **References Cited**

The “air compressor with conical extension” design is characterized as a new and ornamental design for an air compressor.

U.S. PATENT DOCUMENTS

D507,278 S * 7/2005 Moser, III D15/9
D529,051 S * 9/2006 Chu D15/9
D538,300 S * 3/2007 Moser D15/9
D539,308 S * 3/2007 Moser D15/9

1 Claim, 3 Drawing Sheets



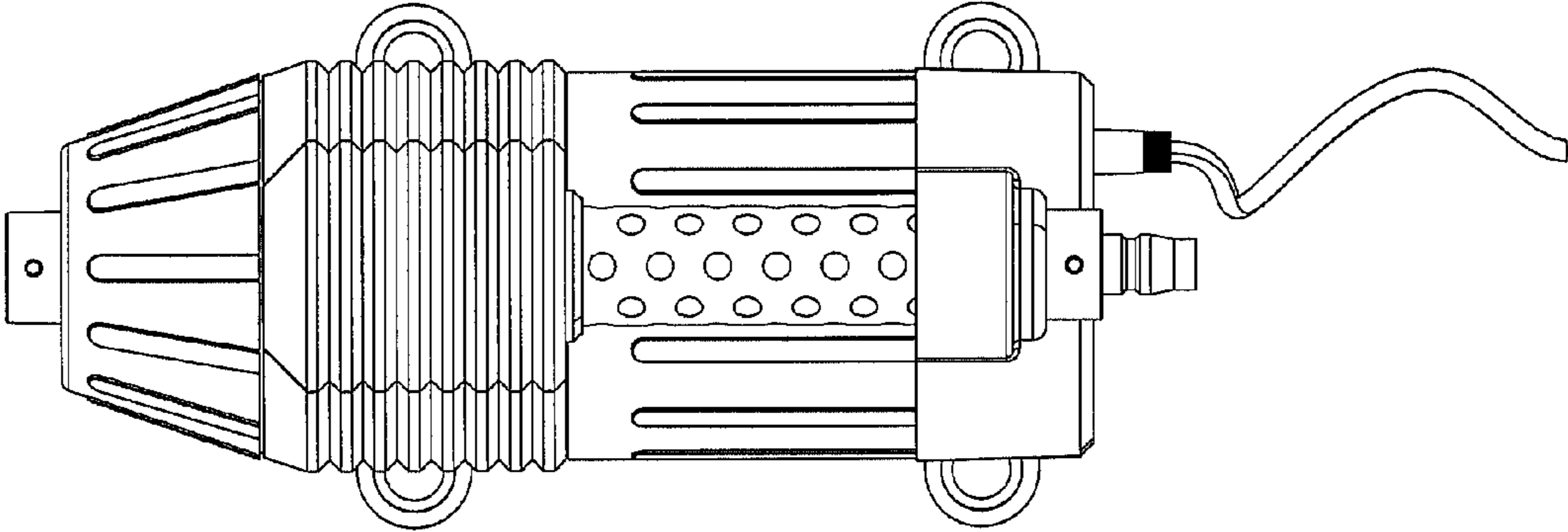


FIG. 1

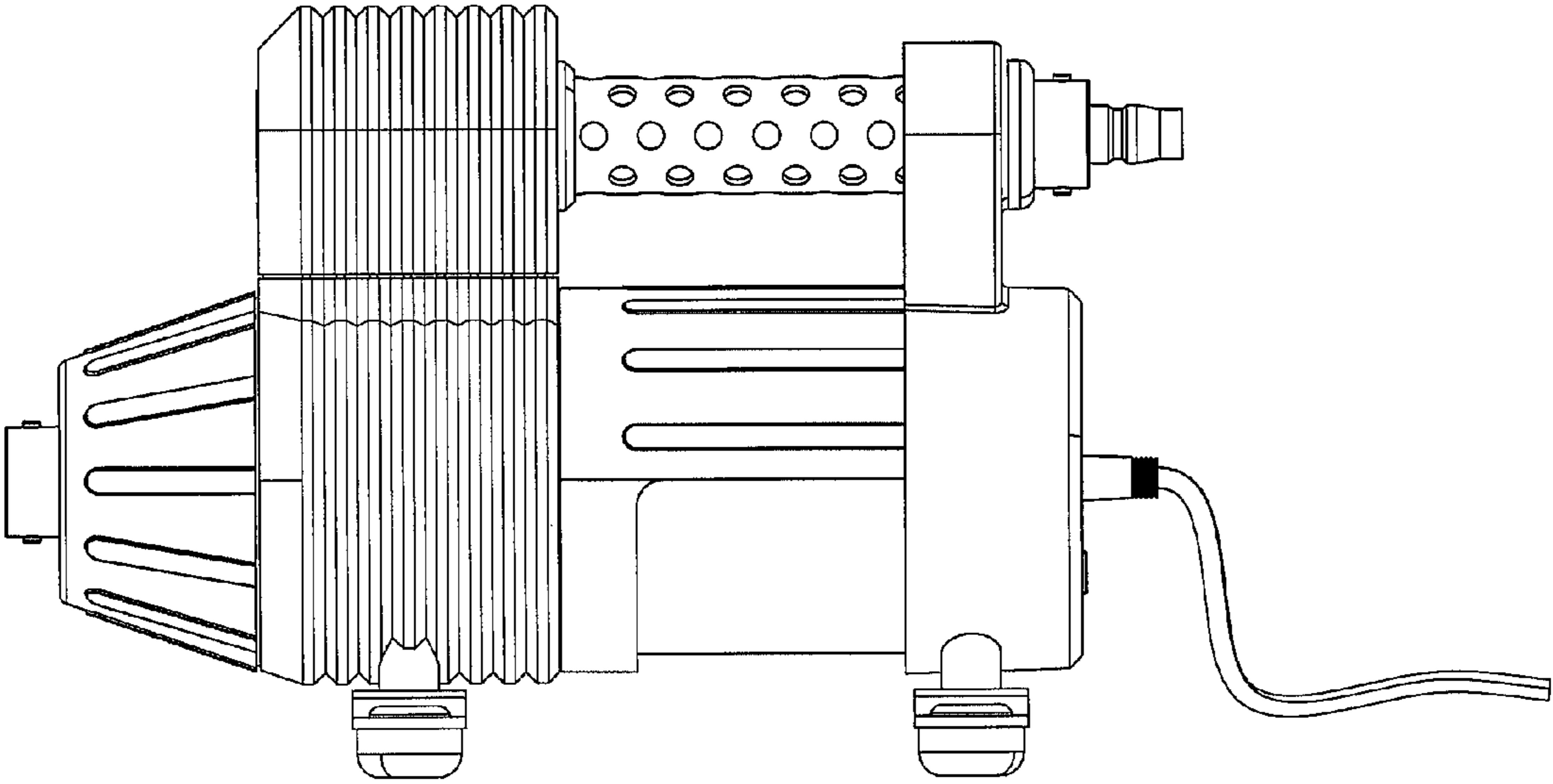


FIG. 2

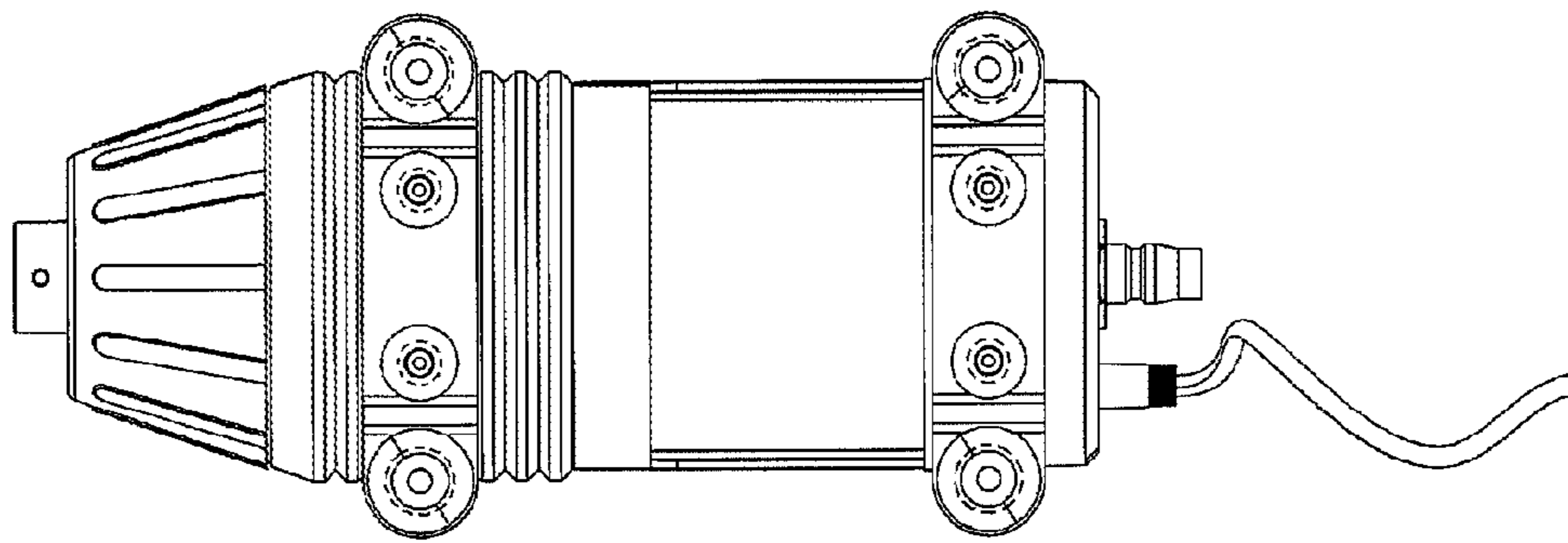


FIG. 3

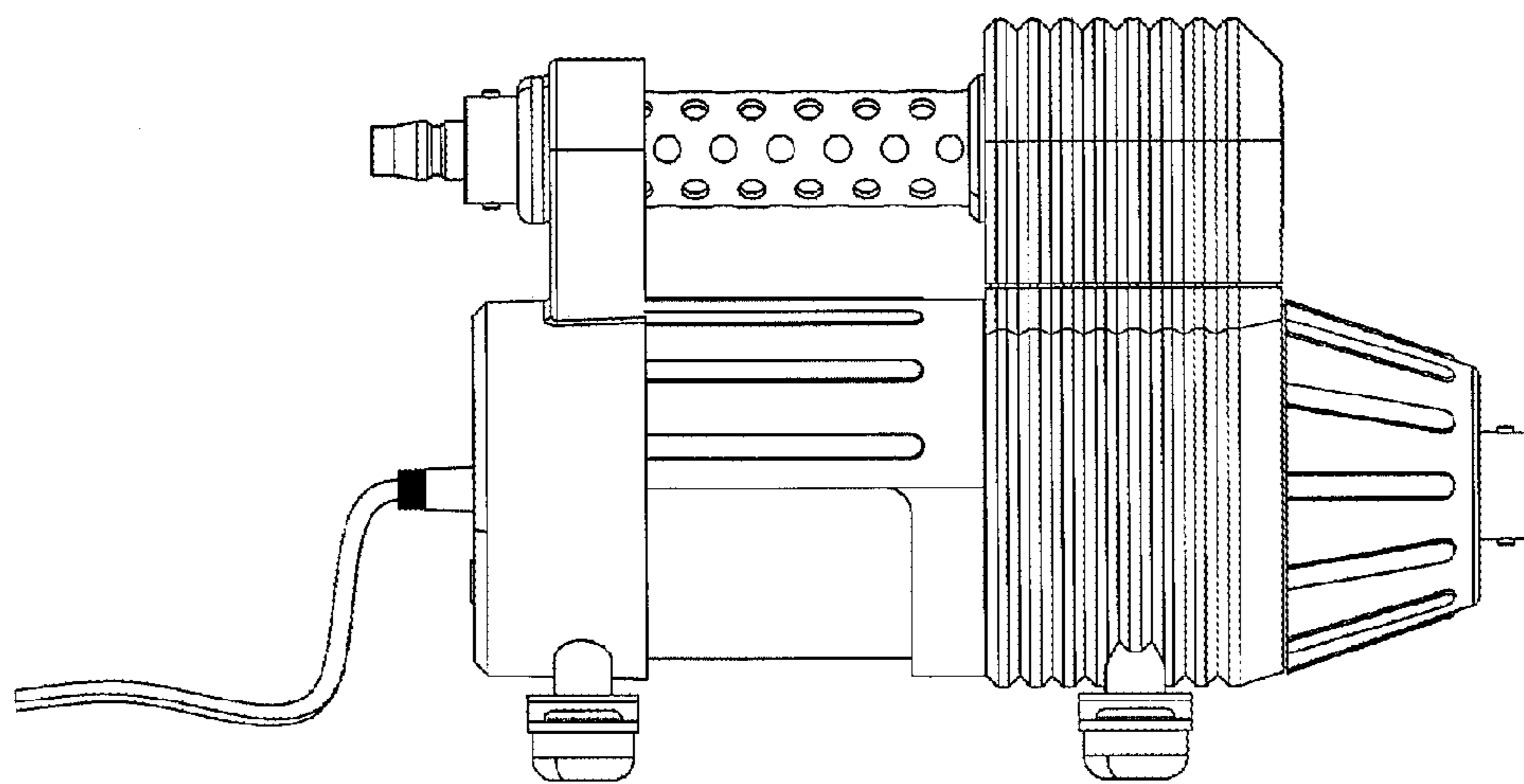


FIG. 4

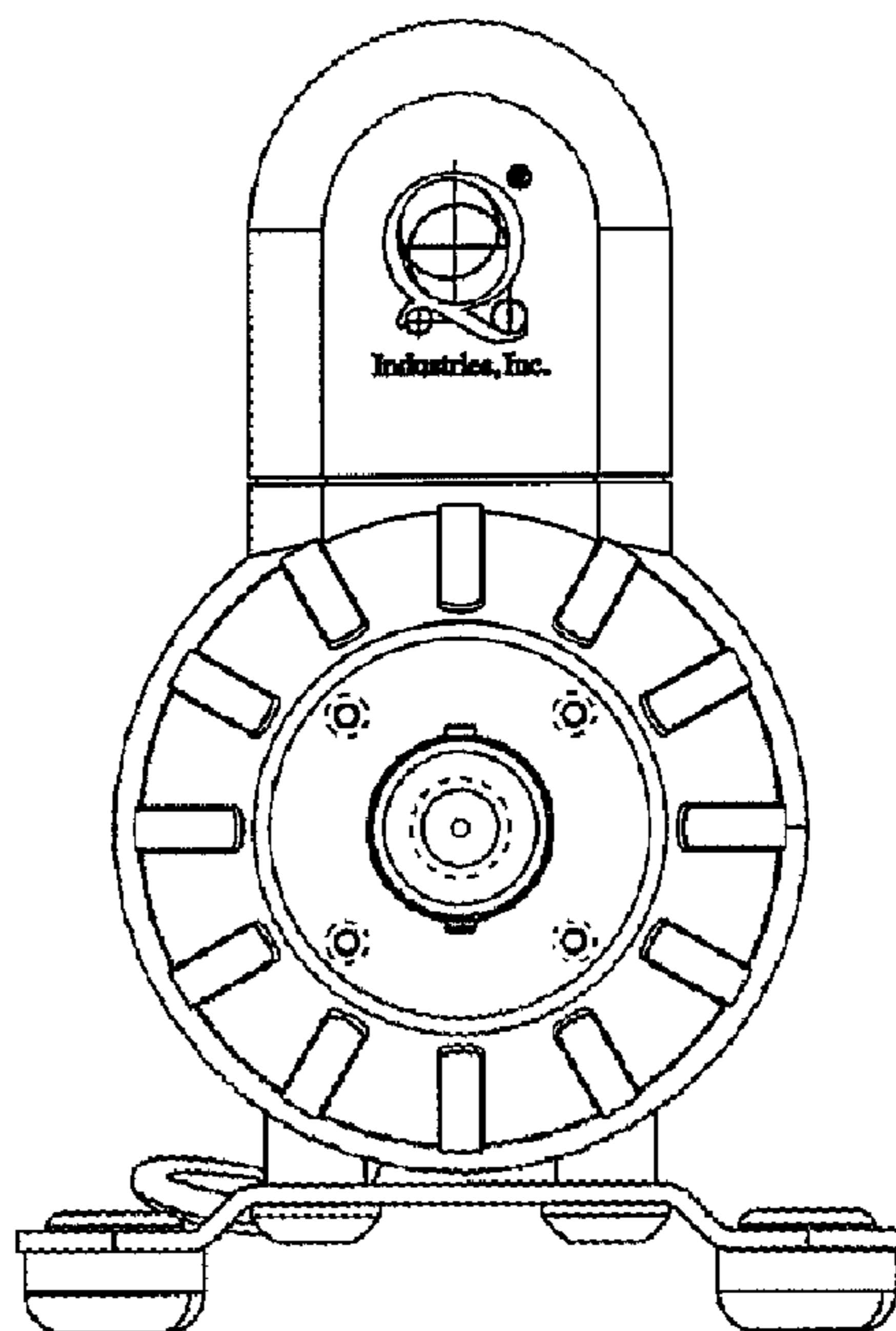


FIG. 5

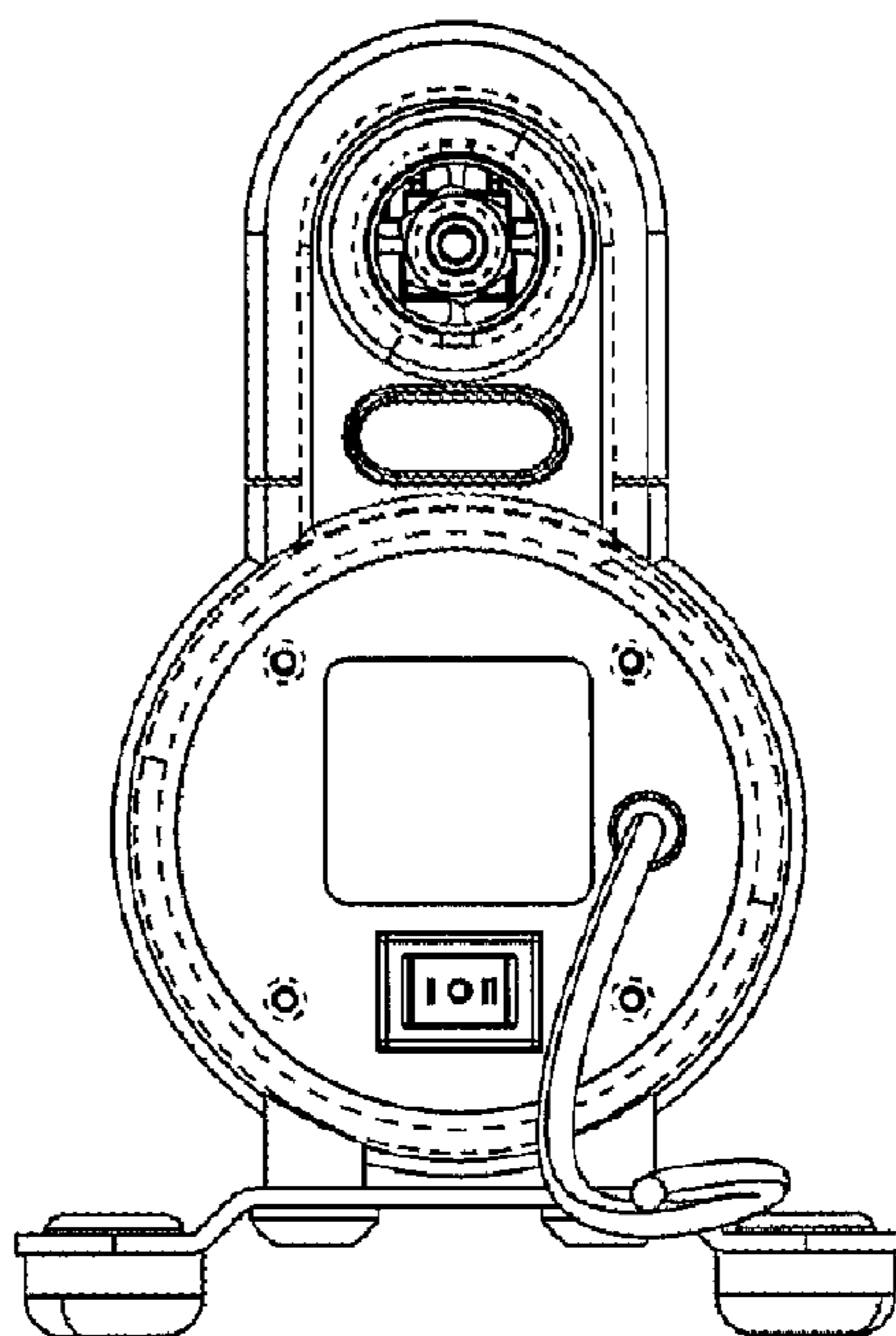


FIG. 6