



US00D627361S

(12) **United States Design Patent**
Lew et al.

(10) **Patent No.:** **US D627,361 S**

(45) **Date of Patent:** **** Nov. 16, 2010**

(54) **ANIMATED USER INTERFACE FOR A DISPLAY SCREEN**

(75) Inventors: **Phoi Heng Lew**, Seattle, WA (US);
James Lee, Lynwood, WA (US)

(73) Assignee: **Microsoft Corporation**, Redmond, WA (US)

(**) Term: **14 Years**

(21) Appl. No.: **29/350,180**

(22) Filed: **Nov. 12, 2009**

(51) **LOC (9) Cl.** **32-00**

(52) **U.S. Cl.** **D14/485**

(58) **Field of Classification Search** D14/485-495;
715/700-867

See application file for complete search history.

(56) **References Cited**

U.S. PATENT DOCUMENTS

D396,853	S *	8/1998	Cooper et al.	D14/493
6,023,275	A *	2/2000	Horvitz et al.	715/700
6,542,168	B2 *	4/2003	Negishi et al.	715/781
7,263,667	B1 *	8/2007	Hoellerer et al.	715/782
7,437,005	B2 *	10/2008	Drucker et al.	382/224
7,447,999	B1 *	11/2008	Robertson et al.	715/835
7,480,873	B2 *	1/2009	Kawahara	715/848
D589,528	S *	3/2009	Koh	D14/486
D590,407	S *	4/2009	Watanabe et al.	D14/485
D594,022	S *	6/2009	King	D14/488
D599,811	S *	9/2009	Watanabe et al.	D14/486
D599,812	S *	9/2009	Hirsch	D14/488
D599,813	S *	9/2009	Hirsch	D14/488
D605,200	S *	12/2009	Sakai	D14/486
7,636,889	B2 *	12/2009	Weber et al.	715/723
D609,715	S *	2/2010	Chaudhri	D14/486

D613,300	S *	4/2010	Chaudhri	D14/488
D614,633	S *	4/2010	Watanabe et al.	D14/486
D619,146	S *	7/2010	Flik et al.	D14/493
2007/0226645	A1 *	9/2007	Kongqiao et al.	715/781
2008/0059893	A1 *	3/2008	Byrne et al.	715/757

* cited by examiner

Primary Examiner—Cathron C Brooks

Assistant Examiner—Deanna Fluegeman

(74) *Attorney, Agent, or Firm*—Banner & Witcoff, Ltd

(57) **CLAIM**

The ornamental design for an animated user interface for a display screen, as shown and described.

DESCRIPTION

FIG. 1 is a first image in the sequence for an animated user interface for a portion of a display screen showing our new design;

FIG. 2 is the second image thereof;

FIG. 3 is the third image thereof;

FIG. 4 is the fourth image thereof;

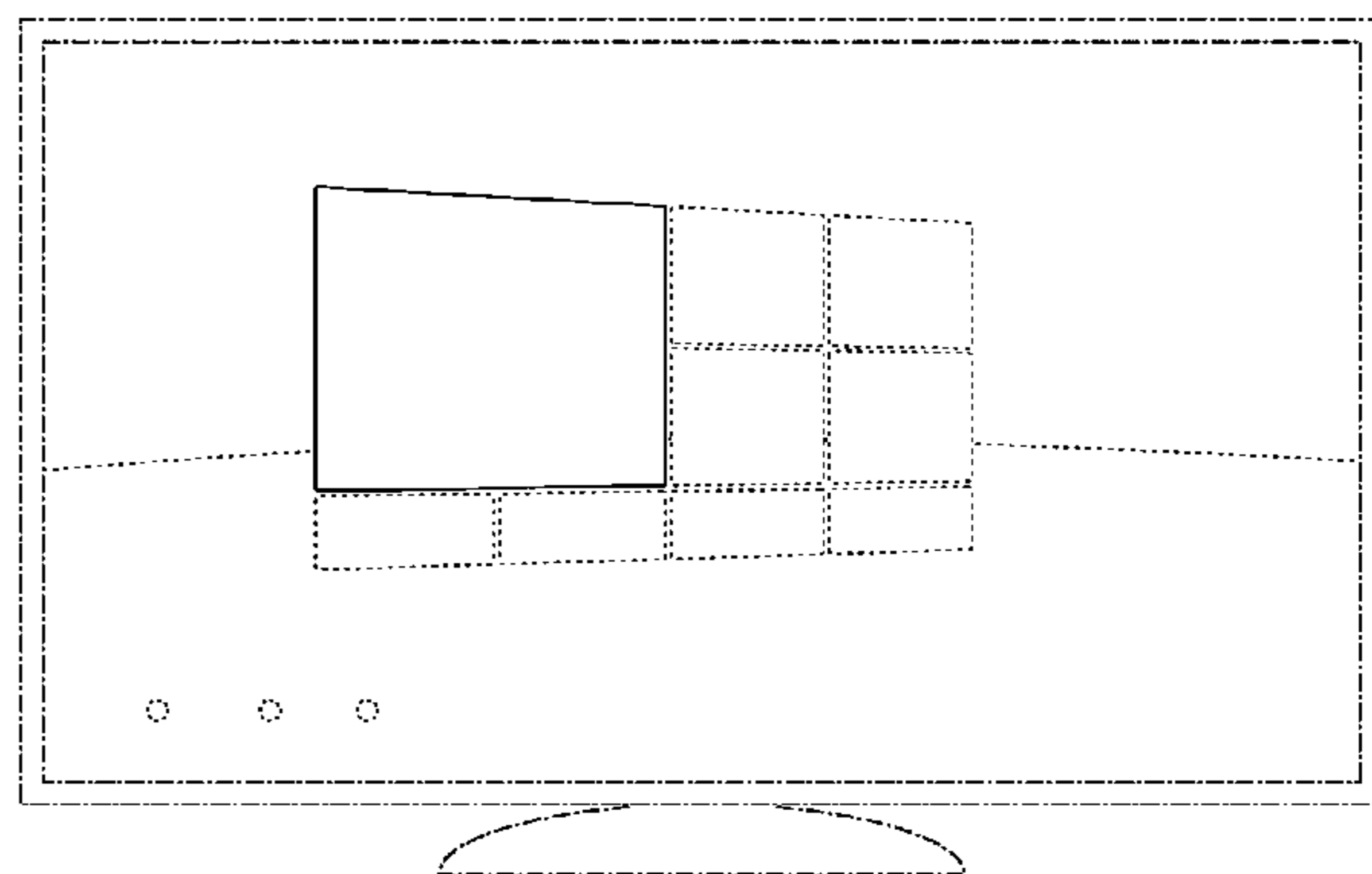
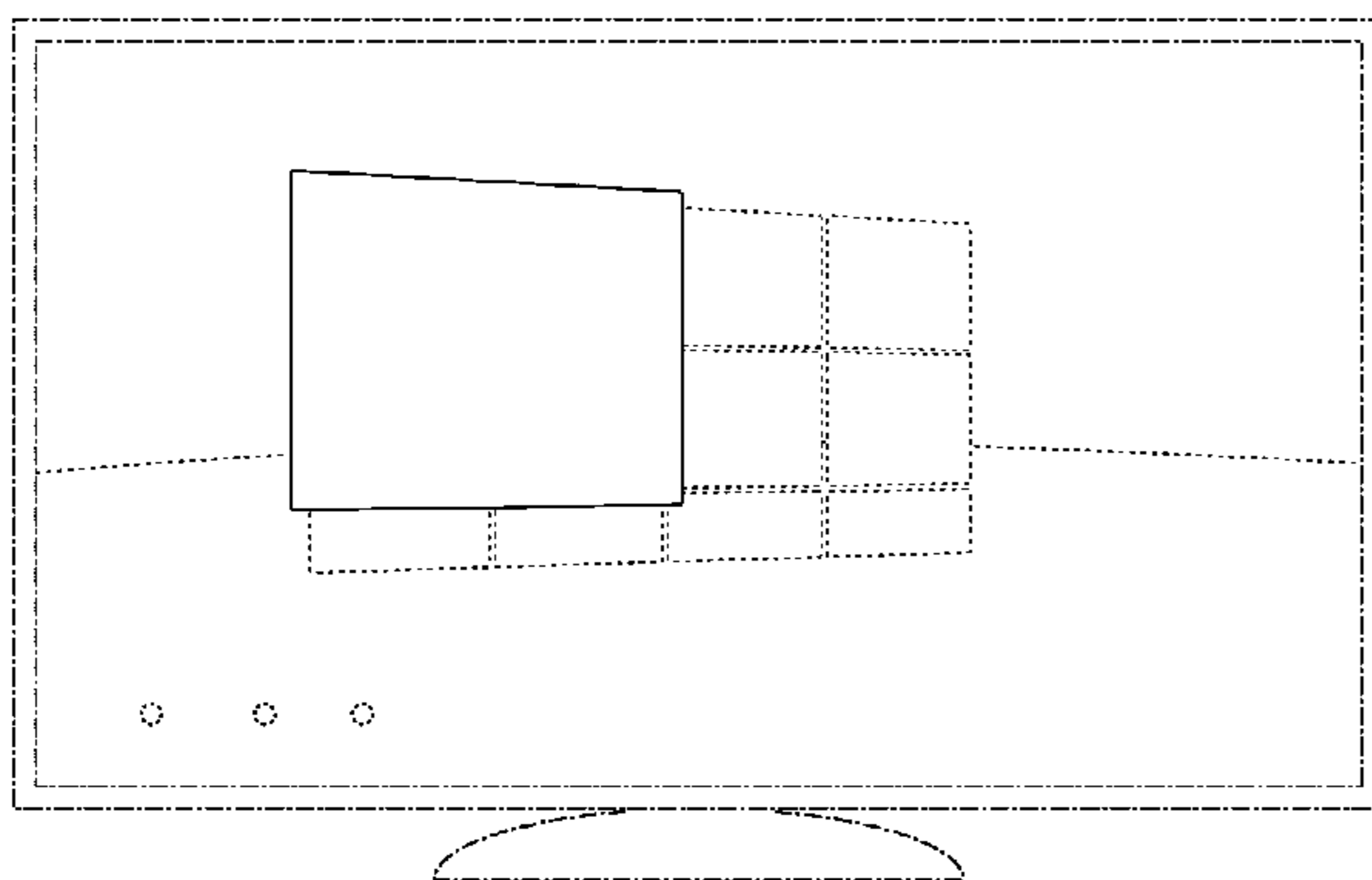
FIG. 5 is the fifth image thereof;

FIG. 6 is the sixth image thereof; and,

FIG. 7 is the seventh image thereof.

The appearance of the animated user interface sequentially transitions between the images shown in FIGS. 1-7. The process or period in which one image transitions to another forms no part of the claimed design. The broken line showings of the display screen and certain onscreen elements are for environmental purposes only and form no part of the claimed design.

1 Claim, 7 Drawing Sheets



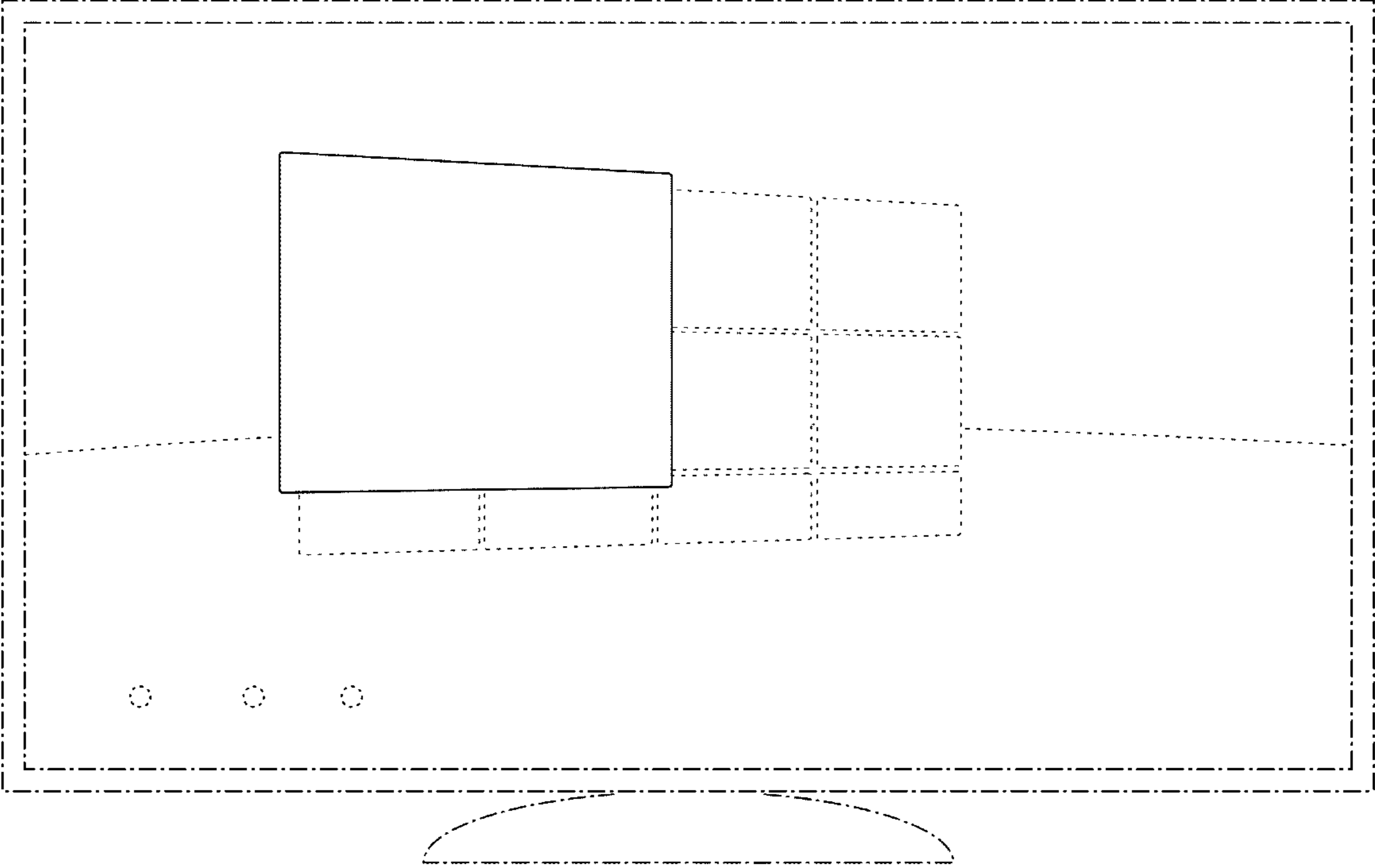


FIG. 1

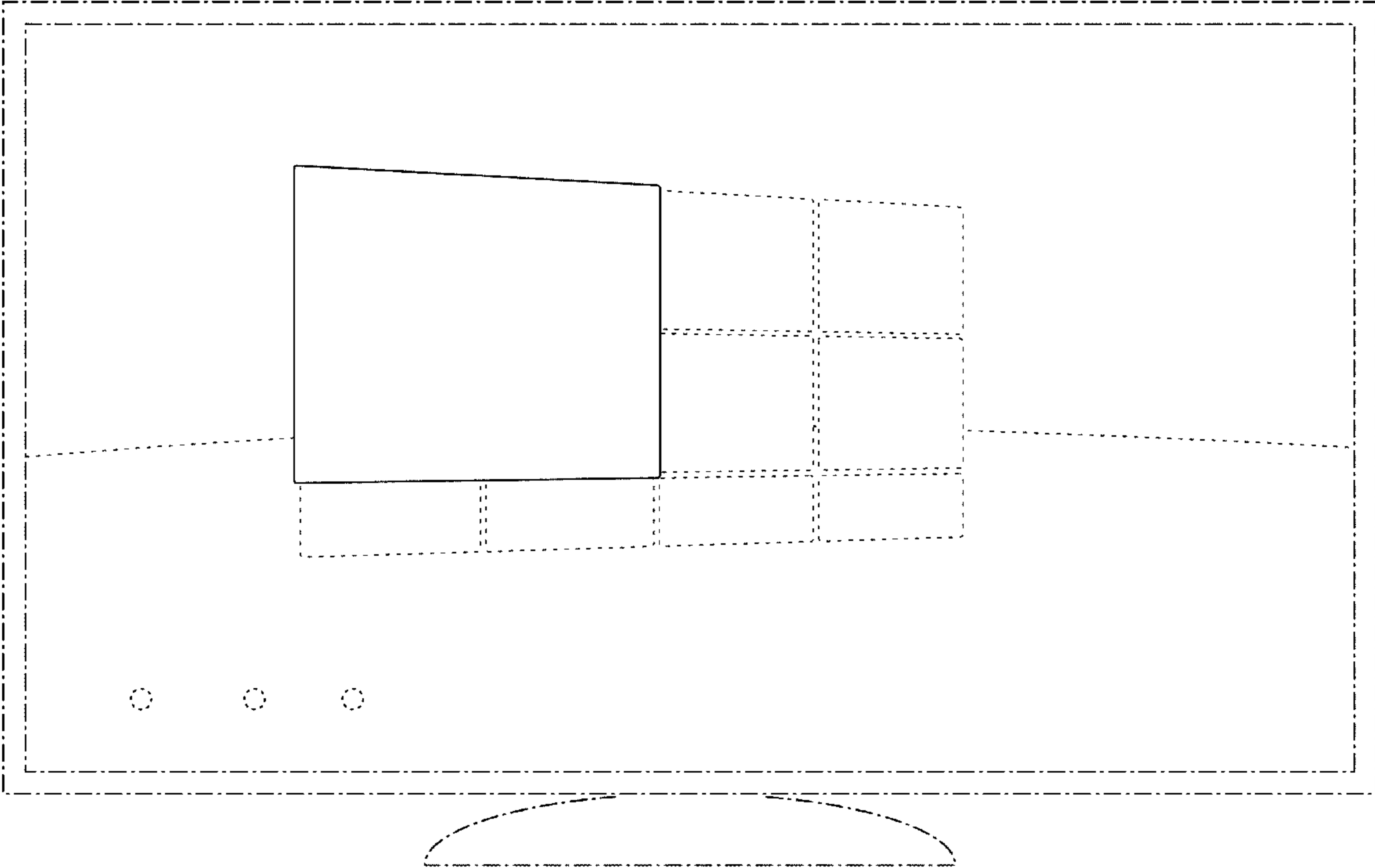


FIG. 2

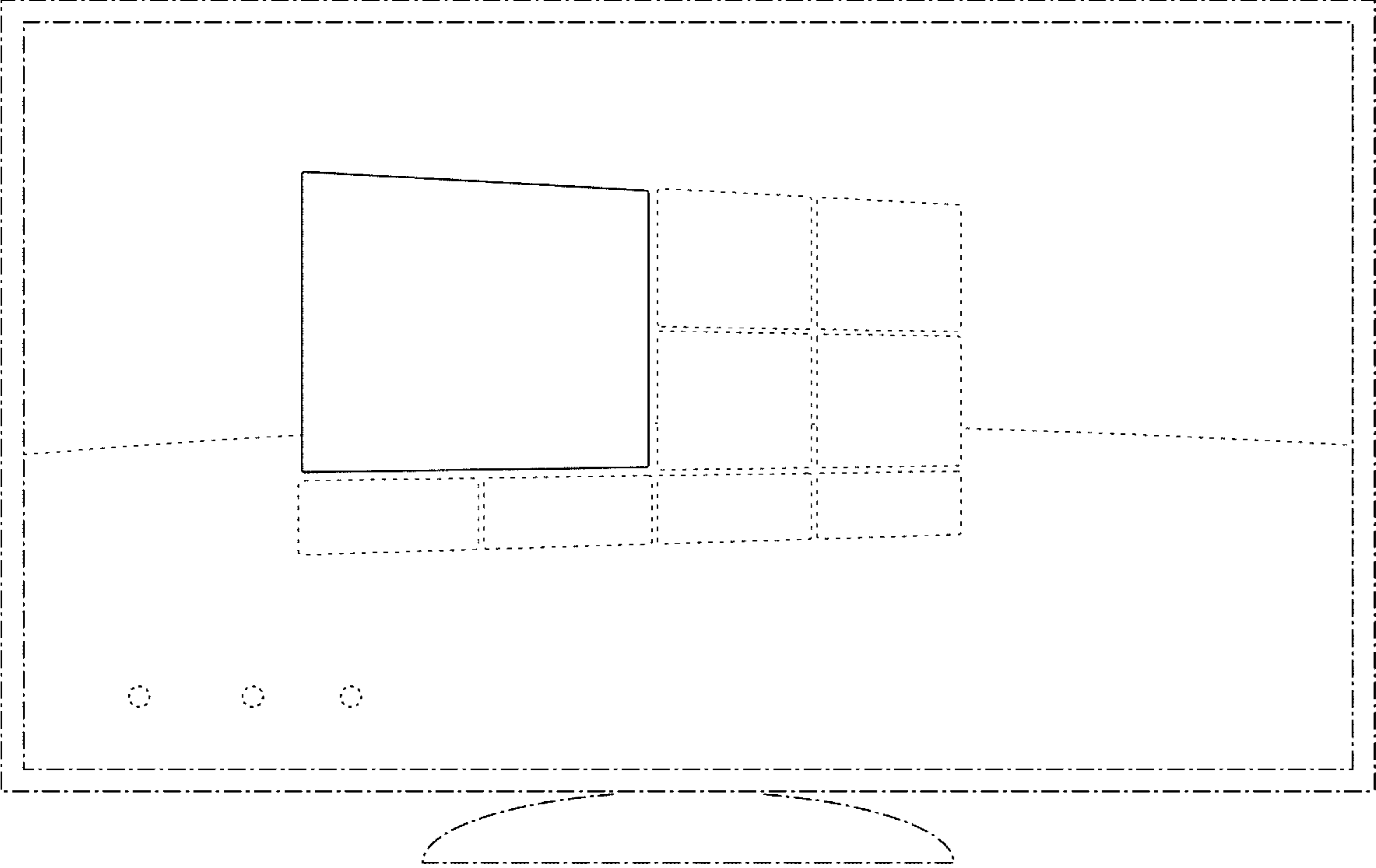


FIG. 3

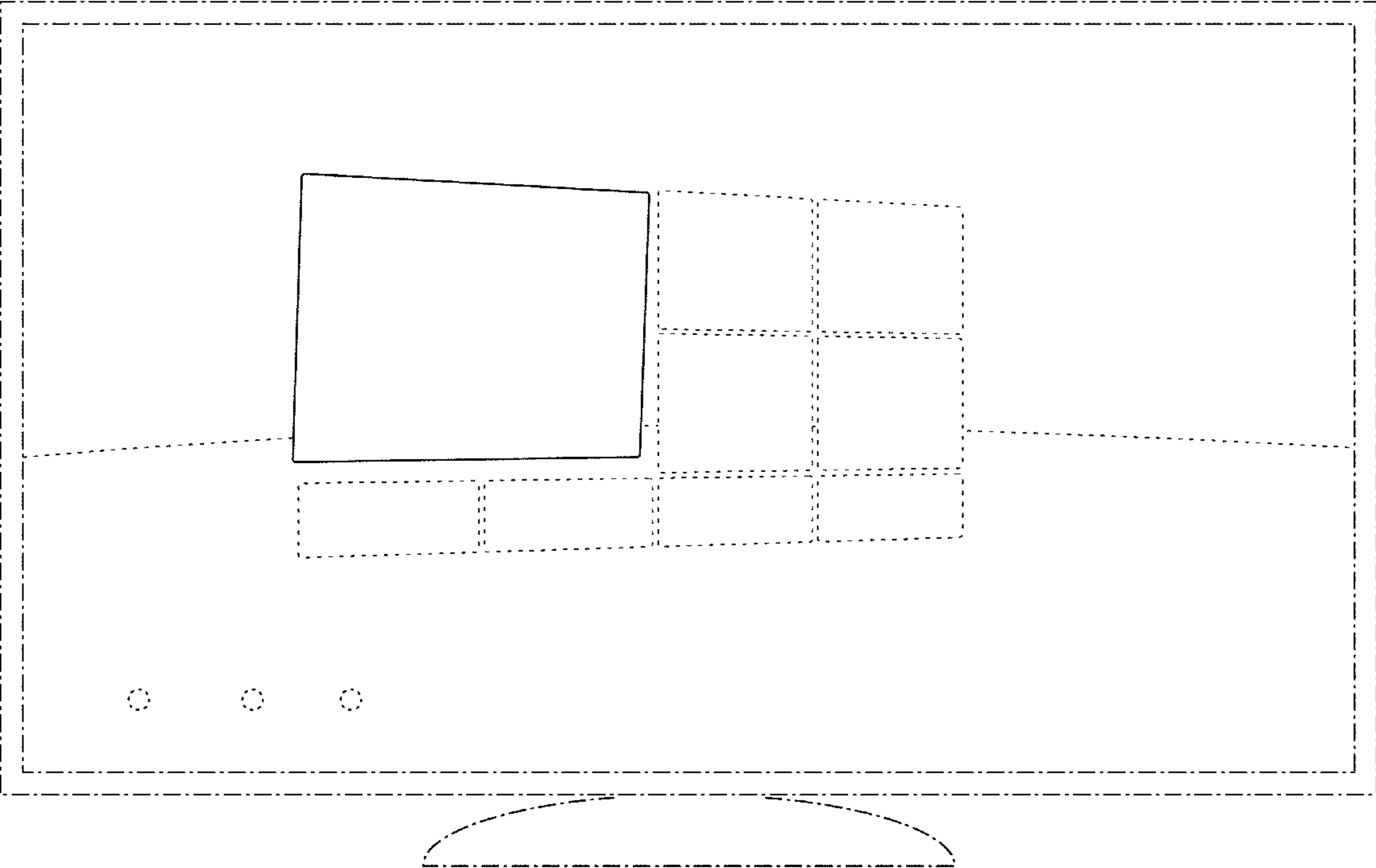


FIG. 4

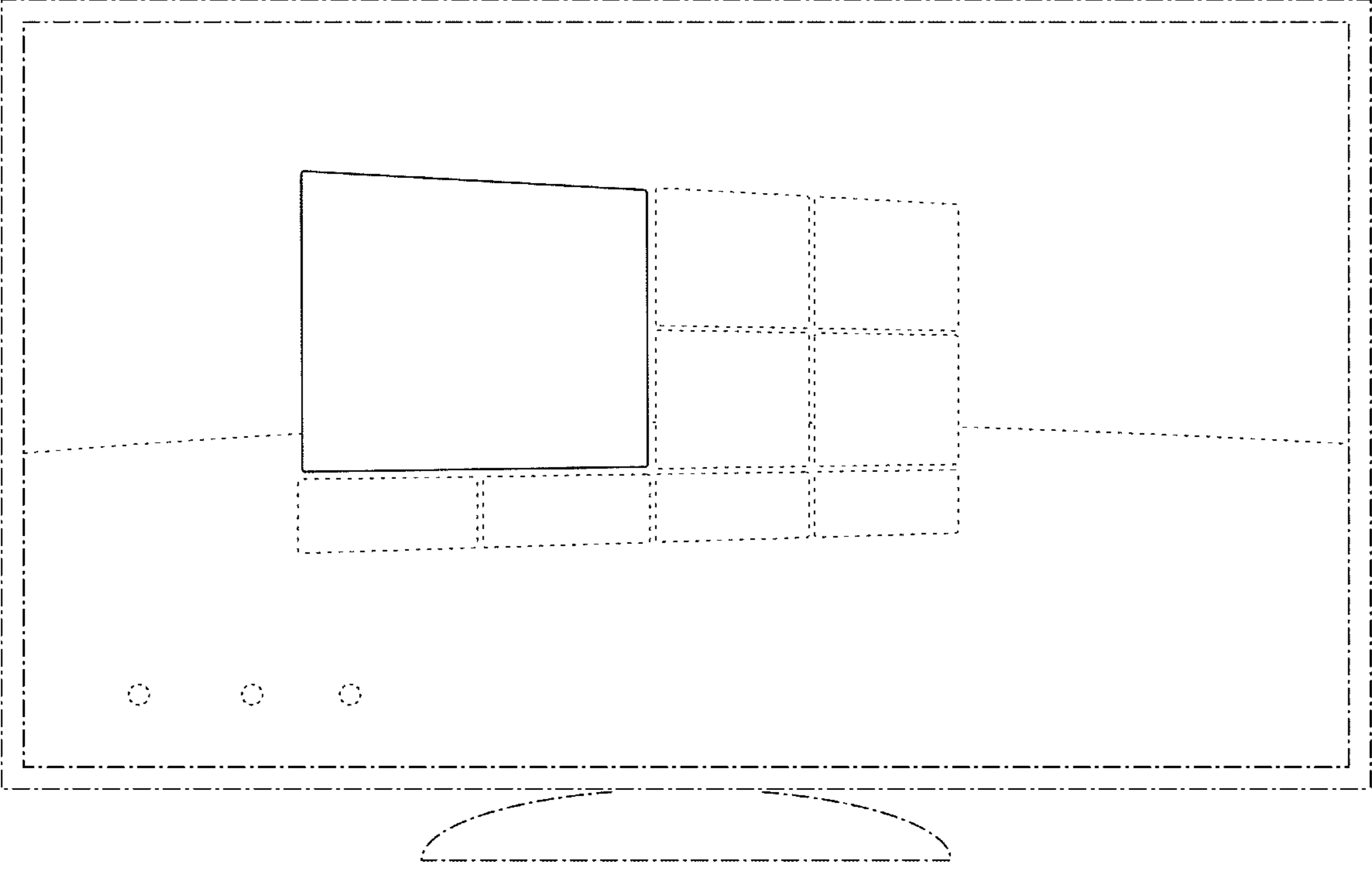


FIG. 5

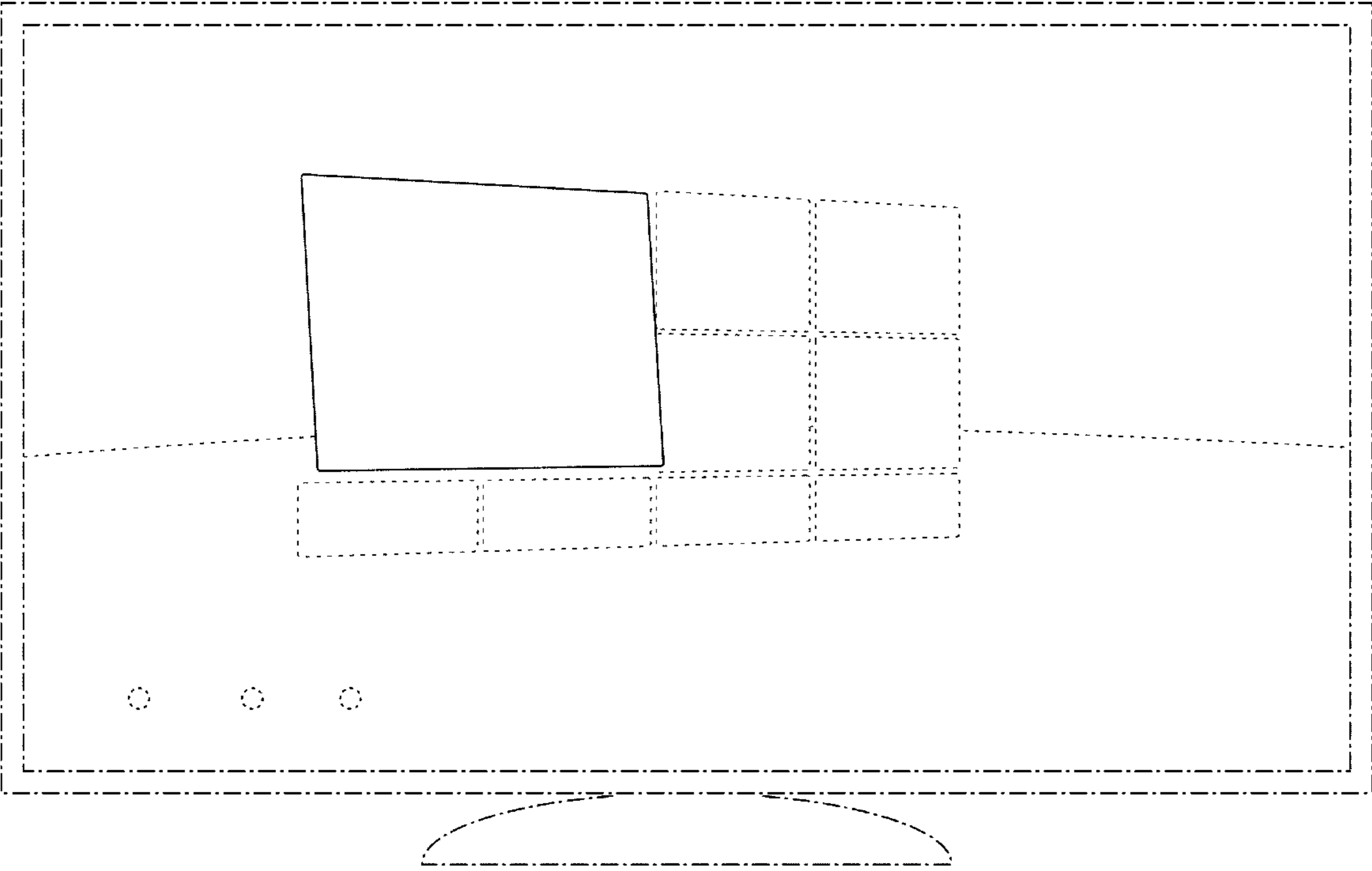


FIG. 6

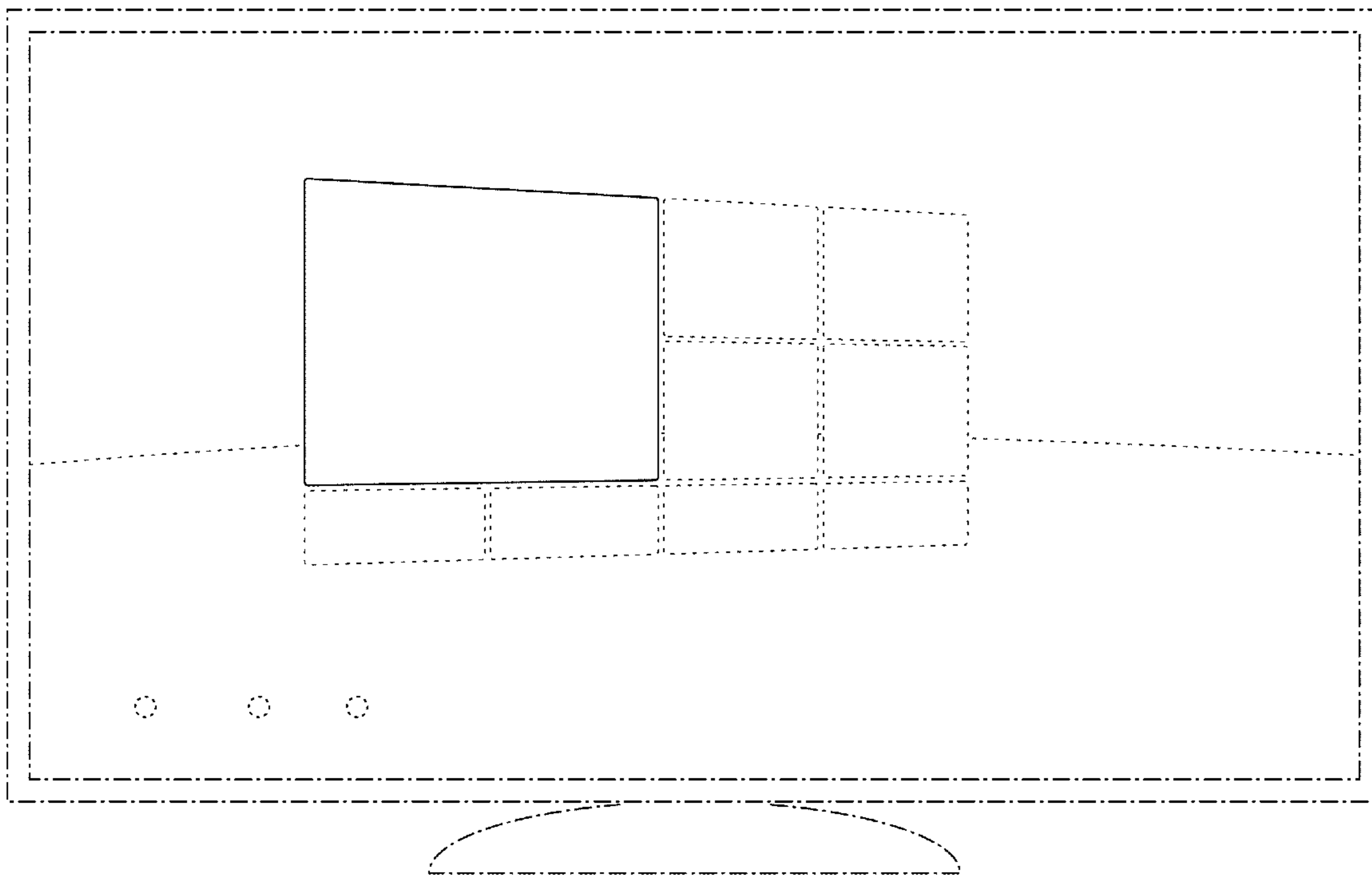


FIG. 7