



US00D627359S

(12) **United States Design Patent**  
**Gillespie**

(10) **Patent No.:** **US D627,359 S**  
(45) **Date of Patent:** **\*\* Nov. 16, 2010**

(54) **SURFACE MOUNTING SYSTEM**

(75) Inventor: **John Michael Gillespie**, Green Oaks, IL  
(US)

(73) Assignee: **Peerless Industries, Inc.**, Aurora, IL  
(US)

(\*\*) Term: **14 Years**

(21) Appl. No.: **29/340,052**

(22) Filed: **Jul. 13, 2009**

**Related U.S. Application Data**

(62) Division of application No. 29/320,068, filed on Jun. 19, 2008, now Pat. No. Des. 598,459.

(51) **LOC (9) Cl.** ..... **08-07**

(52) **U.S. Cl.** ..... **D14/451**

(58) **Field of Classification Search** ..... D14/447,  
D14/448, 451, 452, 457, 459, 460, 461, 239,  
D14/251, 253, 224.1, 125, 126, 432, 434,  
D14/439, 371-382; D8/354, 363, 373, 380;  
D19/90, 91; D18/4.4, 4.5, 4.6, 12; D6/300,  
D6/310, 312, 313, 314, 449, 512; D13/139.5,  
D13/108; D21/333; D10/74; D12/415;  
248/917-924, 675, 676, 678, 447, 122.1,  
248/176.1, 176.3, 205.5, 205.8, 324; 312/323.3;  
379/446, 454, 455; 361/679.02, 679.06,  
361/679.07, 679.21, 679.22, 679.24, 679.26,  
361/679.3, 679.46, 679.49, 679.55, 679.56,  
361/679.58, 679.6, 693, 697, 809, 810, 825,  
361/827; D16/242

See application file for complete search history.

(56) **References Cited**

**U.S. PATENT DOCUMENTS**

D295,415 S 4/1988 Thies et al.  
D400,085 S 10/1998 Haskin  
D422,979 S \* 4/2000 Lee ..... D14/375  
D426,540 S \* 6/2000 Tejima ..... D14/224  
D430,570 S \* 9/2000 Lee ..... D14/451

D478,088 S 8/2003 Hamouz  
D480,730 S \* 10/2003 Doherty et al. .... D14/447  
D487,094 S 2/2004 Serbinski et al.  
6,712,321 B1 \* 3/2004 Su et al. .... 248/123.11  
D491,747 S 6/2004 Walters  
D491,952 S 6/2004 Oddsen et al.  
D494,182 S \* 8/2004 Singer et al. .... D14/451  
D508,916 S 8/2005 Lee  
7,159,828 B1 1/2007 Yau et al.  
D539,273 S \* 3/2007 Fujii ..... D14/239  
7,195,214 B2 \* 3/2007 Lee et al. .... 248/125.8  
D539,566 S 4/2007 Anderson  
D549,232 S 8/2007 Li et al.  
D557,265 S 12/2007 Brown  
D563,399 S 3/2008 Wohlford et al.  
D583,158 S 12/2008 Chiu et al.

(Continued)

**OTHER PUBLICATIONS**

“Peerless Audio/Visual Mounting Solutions,” Peerless Industries, Inc. Product Catalog 2006; pp. 30, 32, 33, and 34.

*Primary Examiner*—Angela J Lee

(74) *Attorney, Agent, or Firm*—Foley & Lardner LLP

(57) **CLAIM**

I claim the ornamental design for a surface mounting system, as shown and described.

**DESCRIPTION**

FIG. 1 is a perspective view of a surface mounting system showing my new design;

FIG. 2 is a front view thereof;

FIG. 3 is a right side view thereof;

FIG. 4 is a top view thereof;

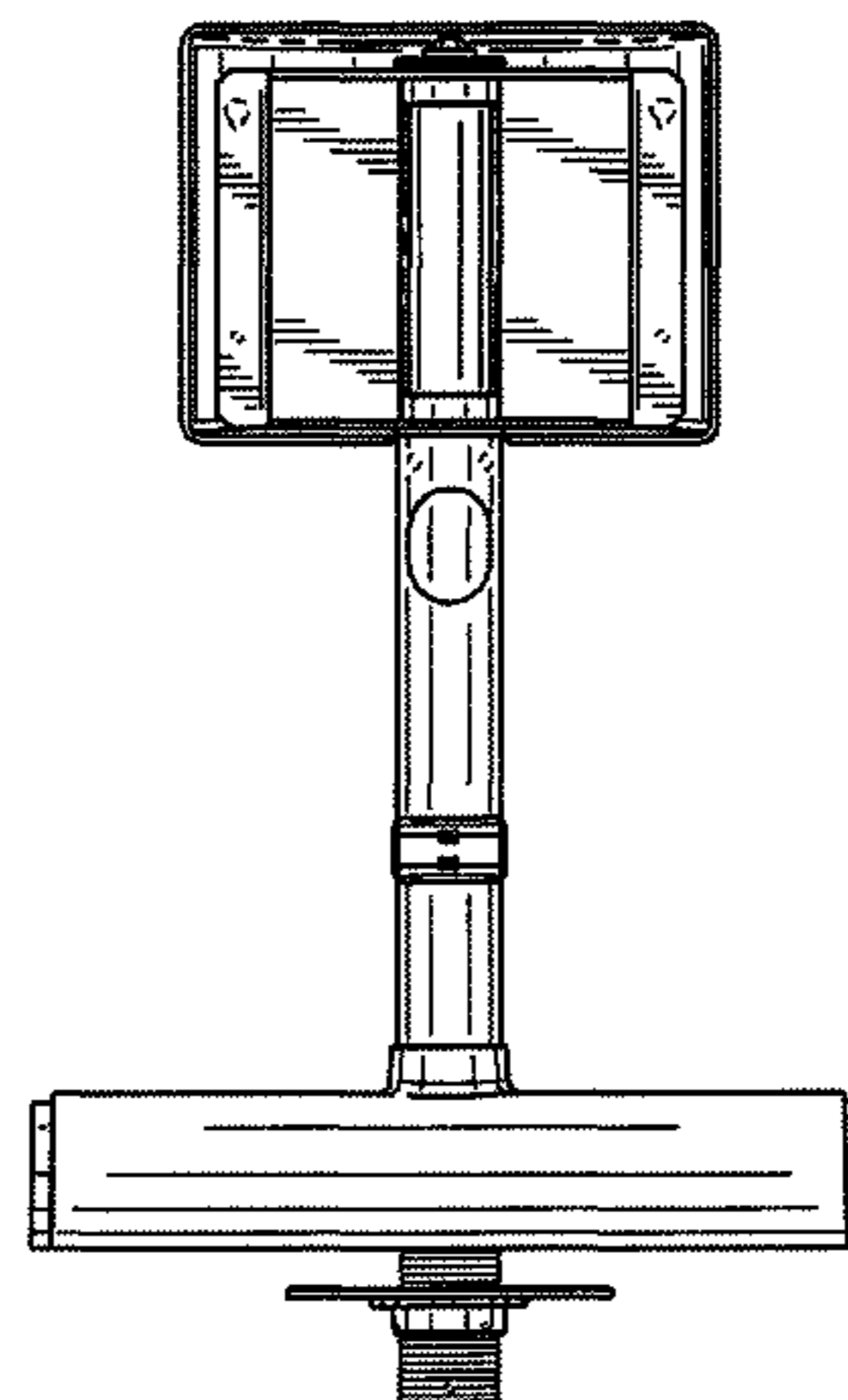
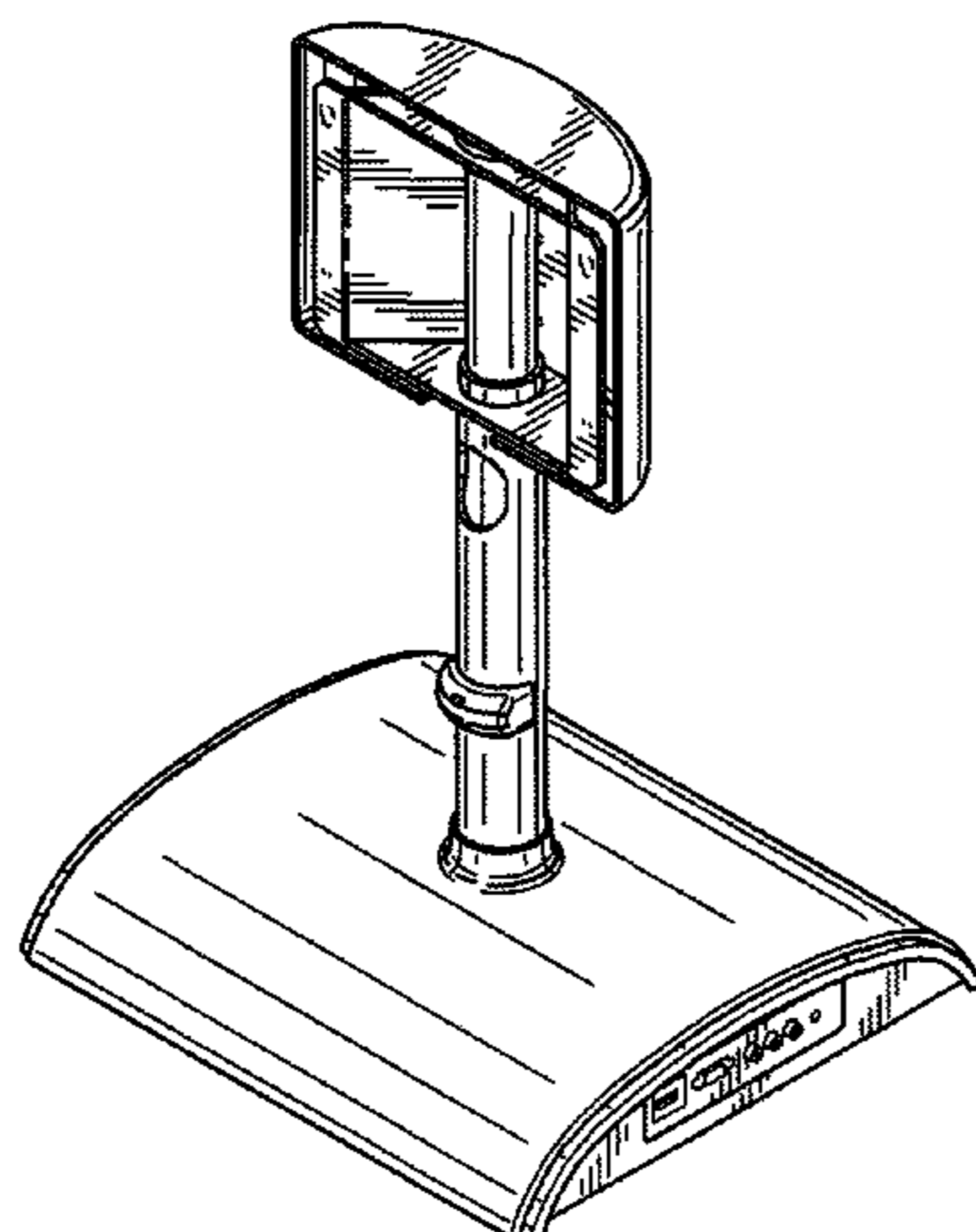
FIG. 5 is back view thereof;

FIG. 6 is a left side view thereof; and,

FIG. 7 is a bottom view thereof.

The portions of the surface mounting system shown in broken lines form no part of the claimed design.

**1 Claim, 4 Drawing Sheets**



# US D627,359 S

Page 2

---

U.S. PATENT DOCUMENTS					
		2004/0084588	A1*	5/2004	Liu et al. .... 248/291.1
D584,734	S			2005/0105260	A1* 5/2005 Lee ..... 361/683
D588,141	S *	3/2009	Heggland et al. ....	2006/0038092	A1* 2/2006 Choi ..... 248/121
D598,459	S *	8/2009	Gillespie ..... D14/451		
					* cited by examiner

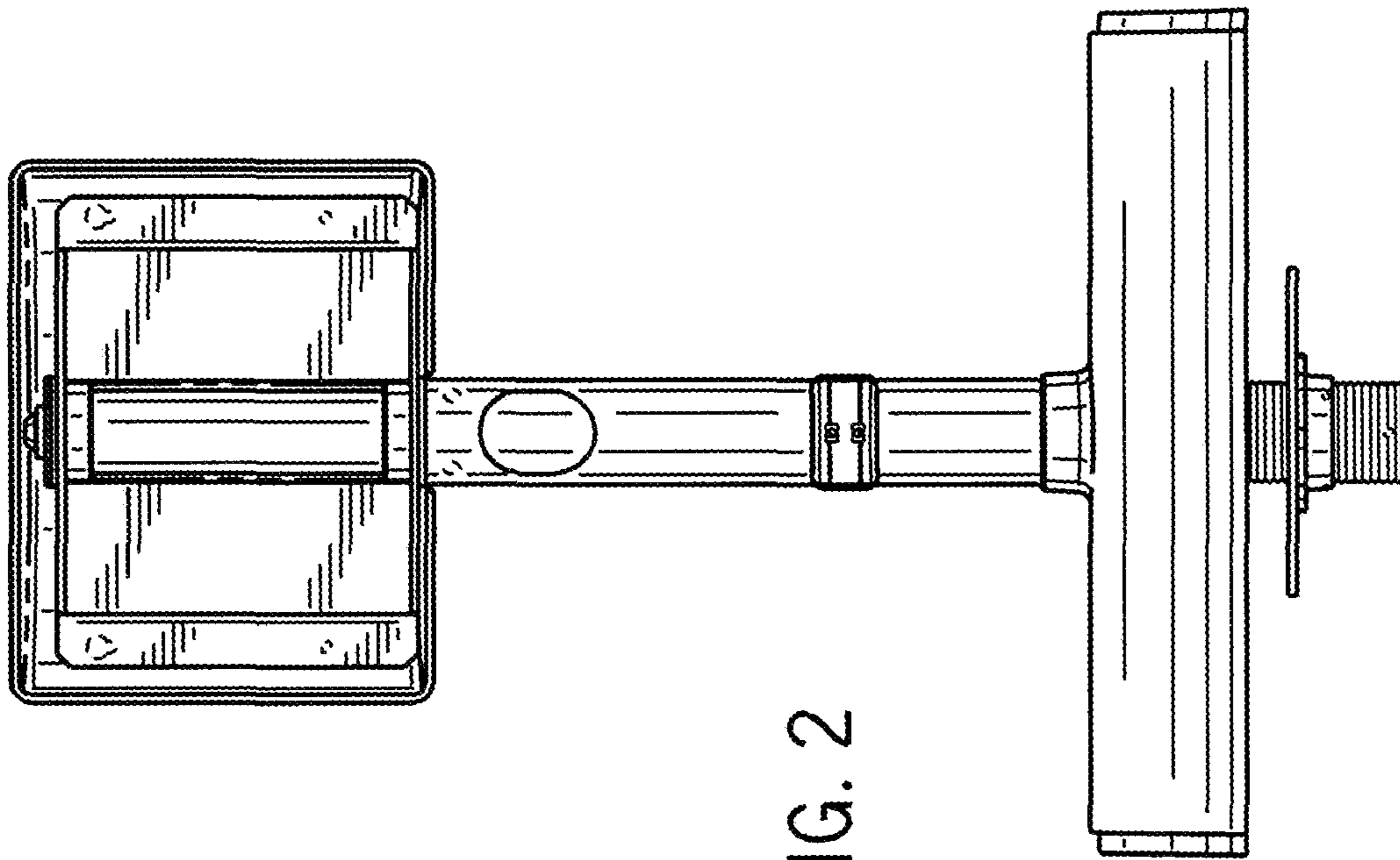


FIG. 2

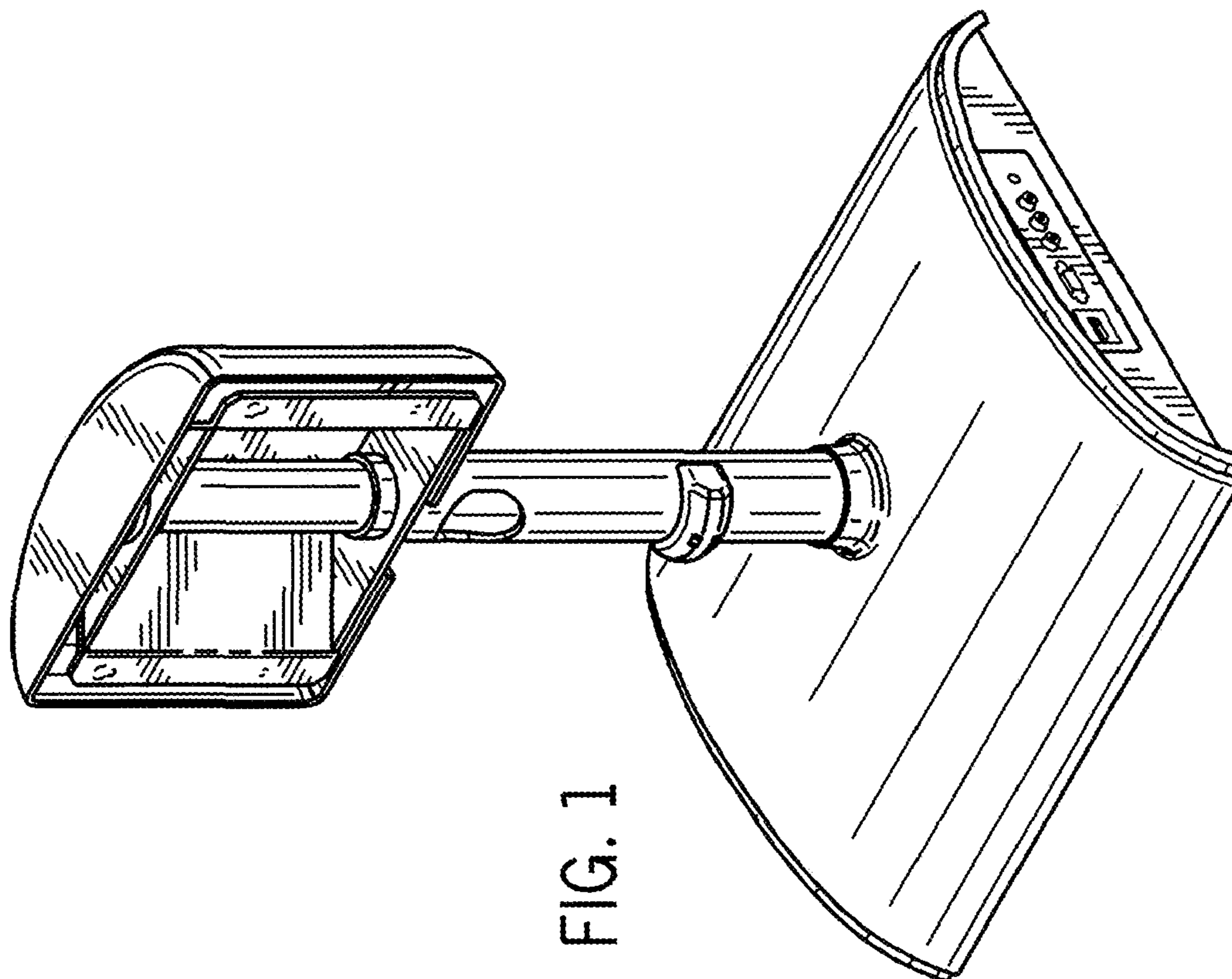


FIG. 1

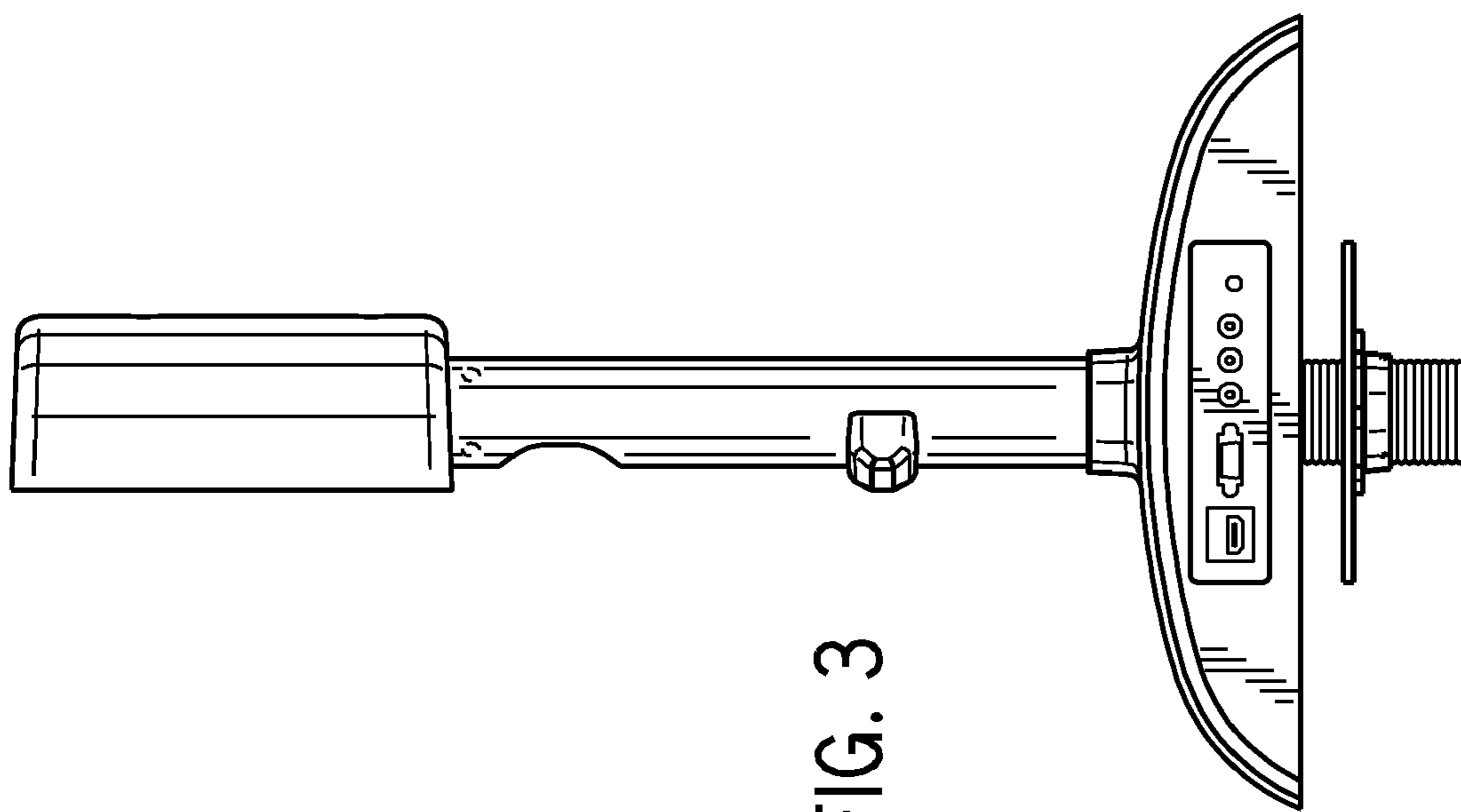


FIG. 3

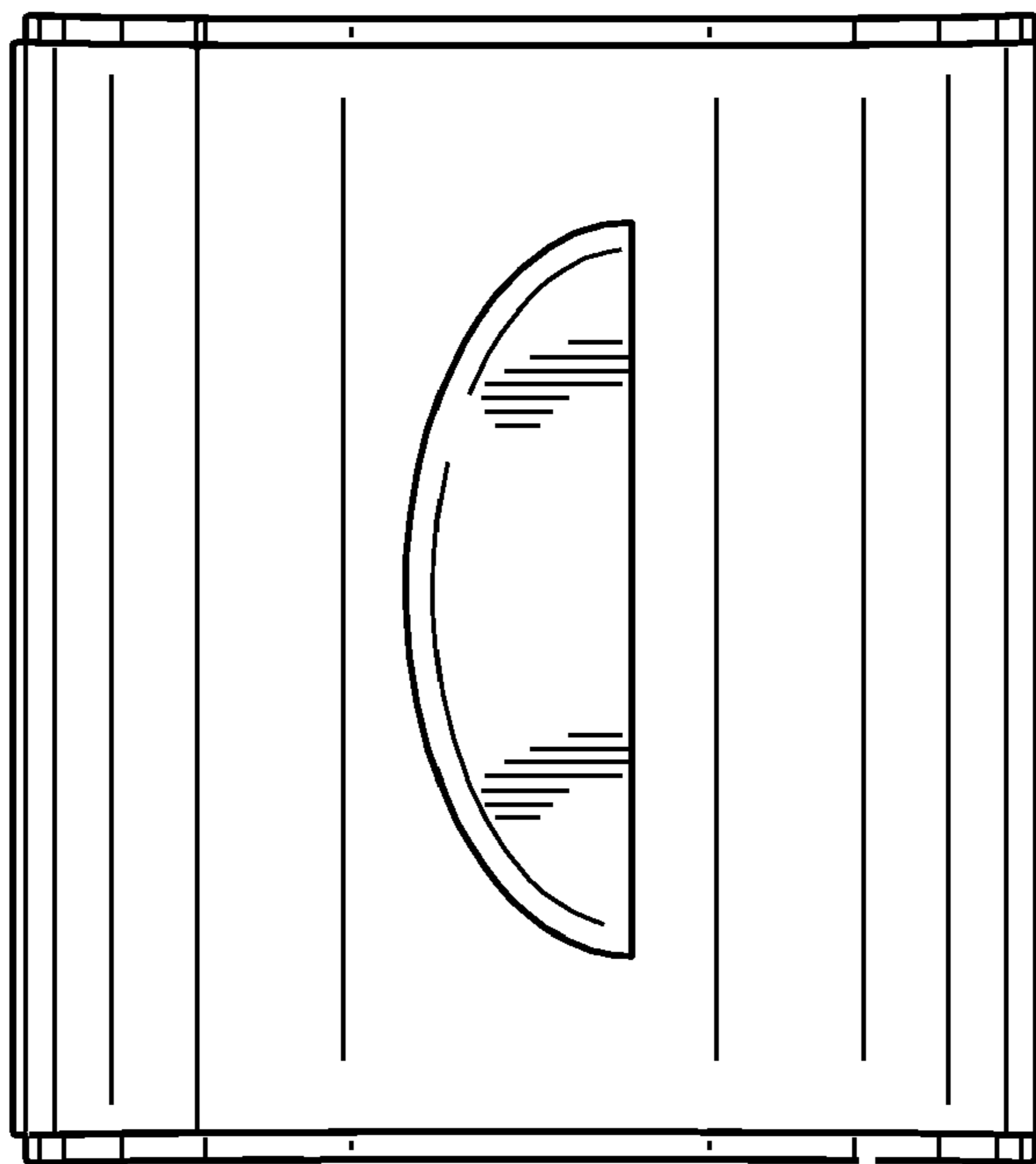


FIG. 4

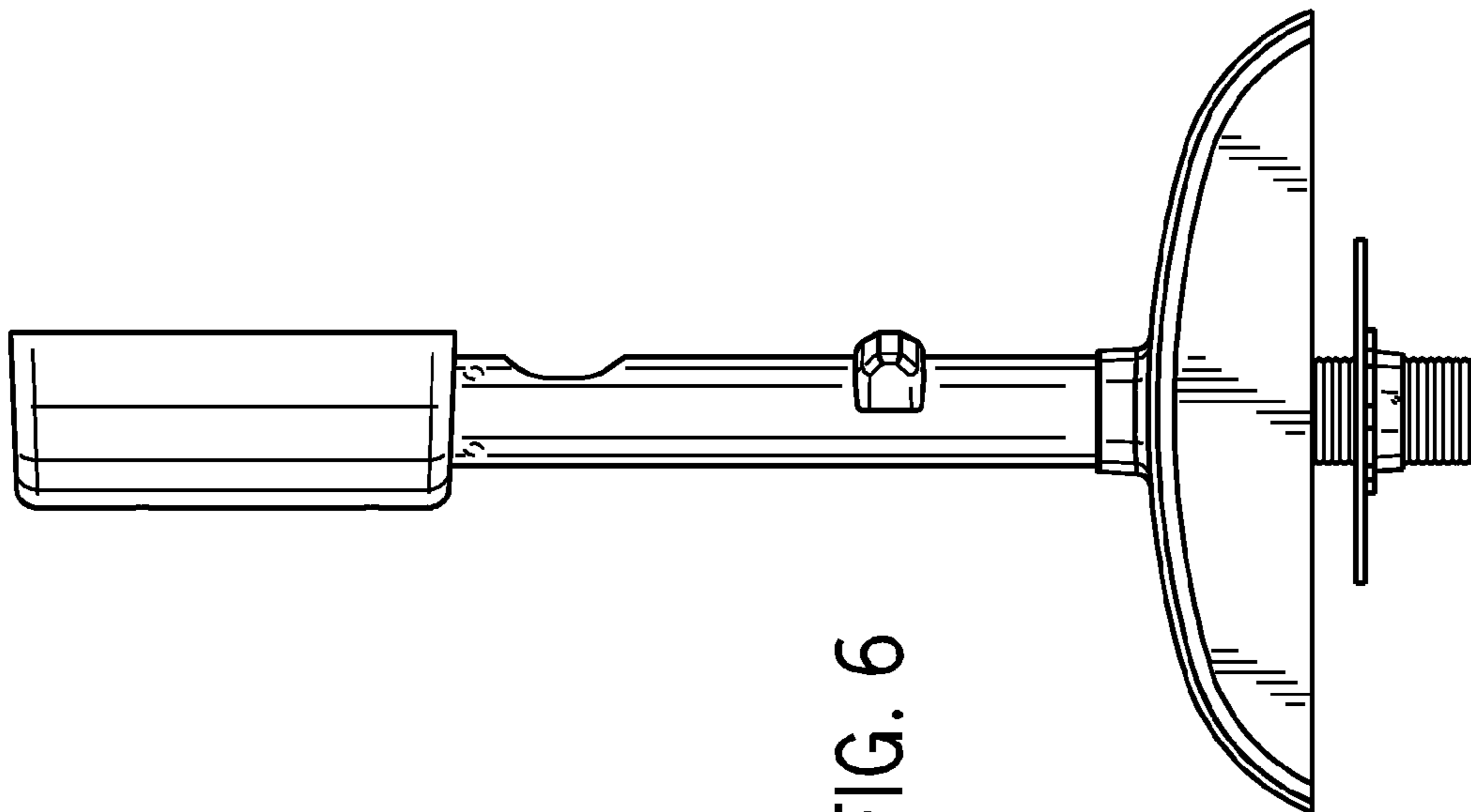


FIG. 6

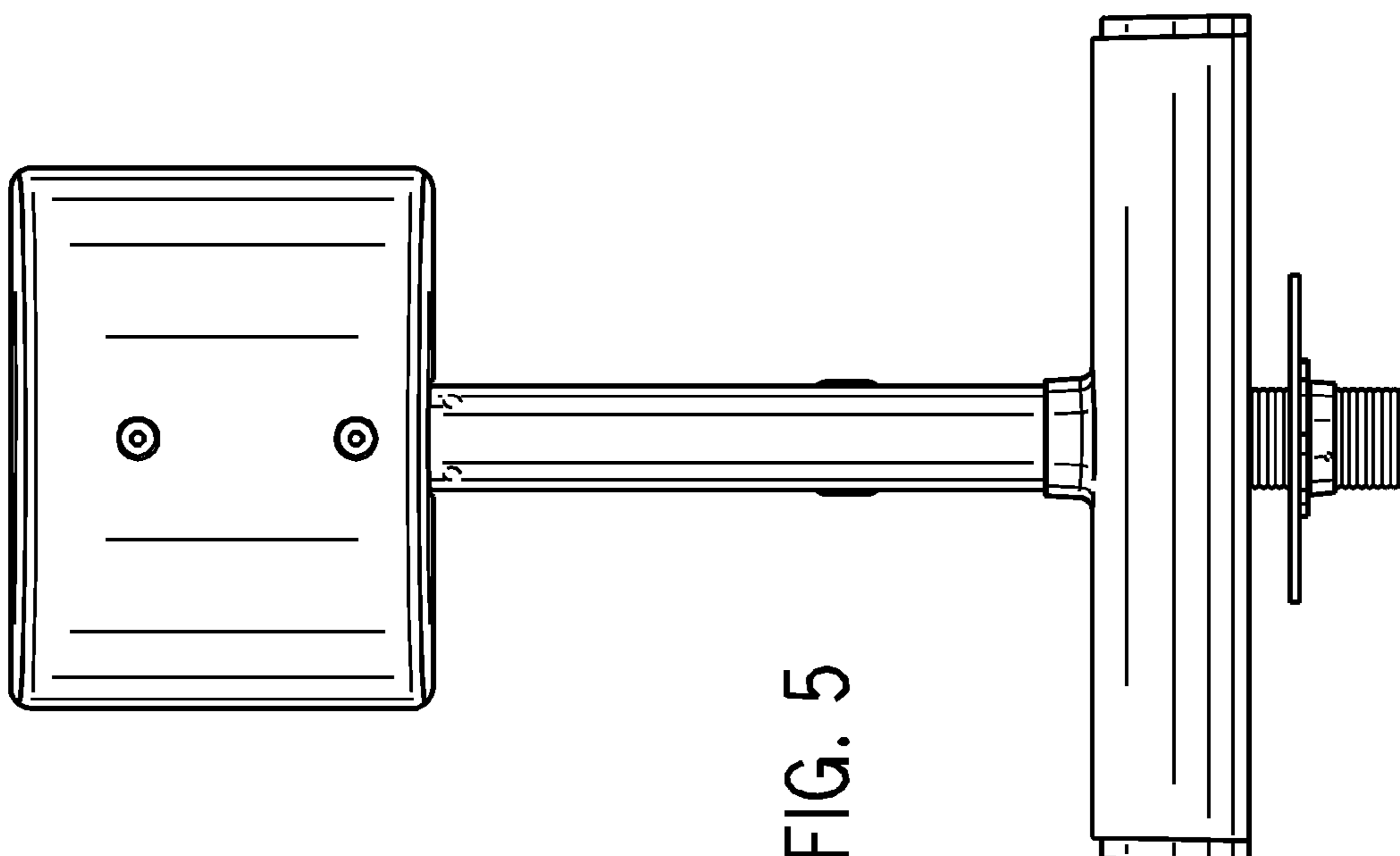


FIG. 5

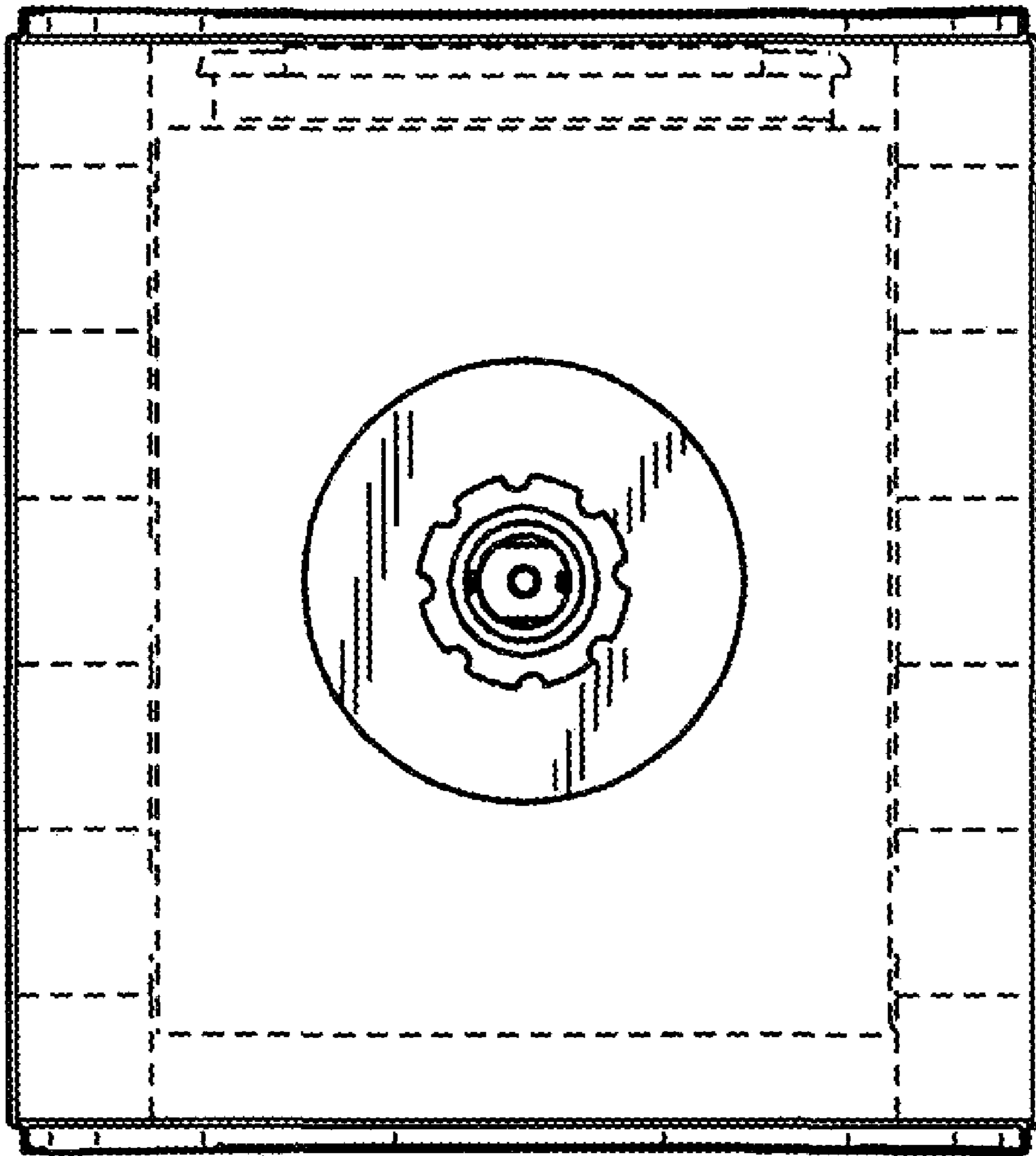


FIG. 7