



US00D627351S

(12) **United States Design Patent**
Wang

(10) **Patent No.:** **US D627,351 S**
(45) **Date of Patent:** **** Nov. 16, 2010**

(54) **DISPLAY**

(75) Inventor: **Kuan-Hua Wang**, Taipei County (TW)

(73) Assignee: **Amtran Technology Co., Ltd**, Taipei County (TW)

(**) Term: **14 Years**

(21) Appl. No.: **29/353,270**

(22) Filed: **Jan. 6, 2010**

(51) **LOC (9) Cl.** **14-02**

(52) **U.S. Cl.** **D14/375**

(58) **Field of Classification Search** D14/371-376,
D14/125-129; 345/104, 156, 168, 173, 87,
345/1.1, 901-905; 341/12; 348/180, 184,
348/325, 739; 349/1, 2, 11, 58; 248/917-924,
248/278.1; 361/679.23, 679.08
See application file for complete search history.

(56) **References Cited**

U.S. PATENT DOCUMENTS

D471,194 S *	3/2003	Huang	D14/375
6,807,051 B2 *	10/2004	Takahashi	361/679.23
D544,861 S *	6/2007	Hwang	D14/375
D551,186 S *	9/2007	Yang et al.	D14/126
D556,160 S *	11/2007	Lee et al.	D14/126
D584,309 S *	1/2009	Kim et al.	D14/374
D584,729 S *	1/2009	Kim et al.	D14/374

D586,811 S *	2/2009	Kim et al.	D14/374
D595,295 S *	6/2009	Shim	D14/374
D616,884 S *	6/2010	Kim et al.	D14/374
2004/0041062 A1 *	3/2004	Ozolins et al.	248/122.1
2004/0217244 A1 *	11/2004	Wu et al.	248/278.1

* cited by examiner

Primary Examiner—Freda S Nunn

(74) *Attorney, Agent, or Firm*—Tim Tingkang Xia; Morris, Manning & Martin, LLP

(57) **CLAIM**

The ornamental design for a display, as shown and described.

DESCRIPTION

FIG. 1 is a perspective view of display showing my new design;

FIG. 2 is a front view thereof;

FIG. 3 is a rear view thereof;

FIG. 4 is a left side elevational view thereof;

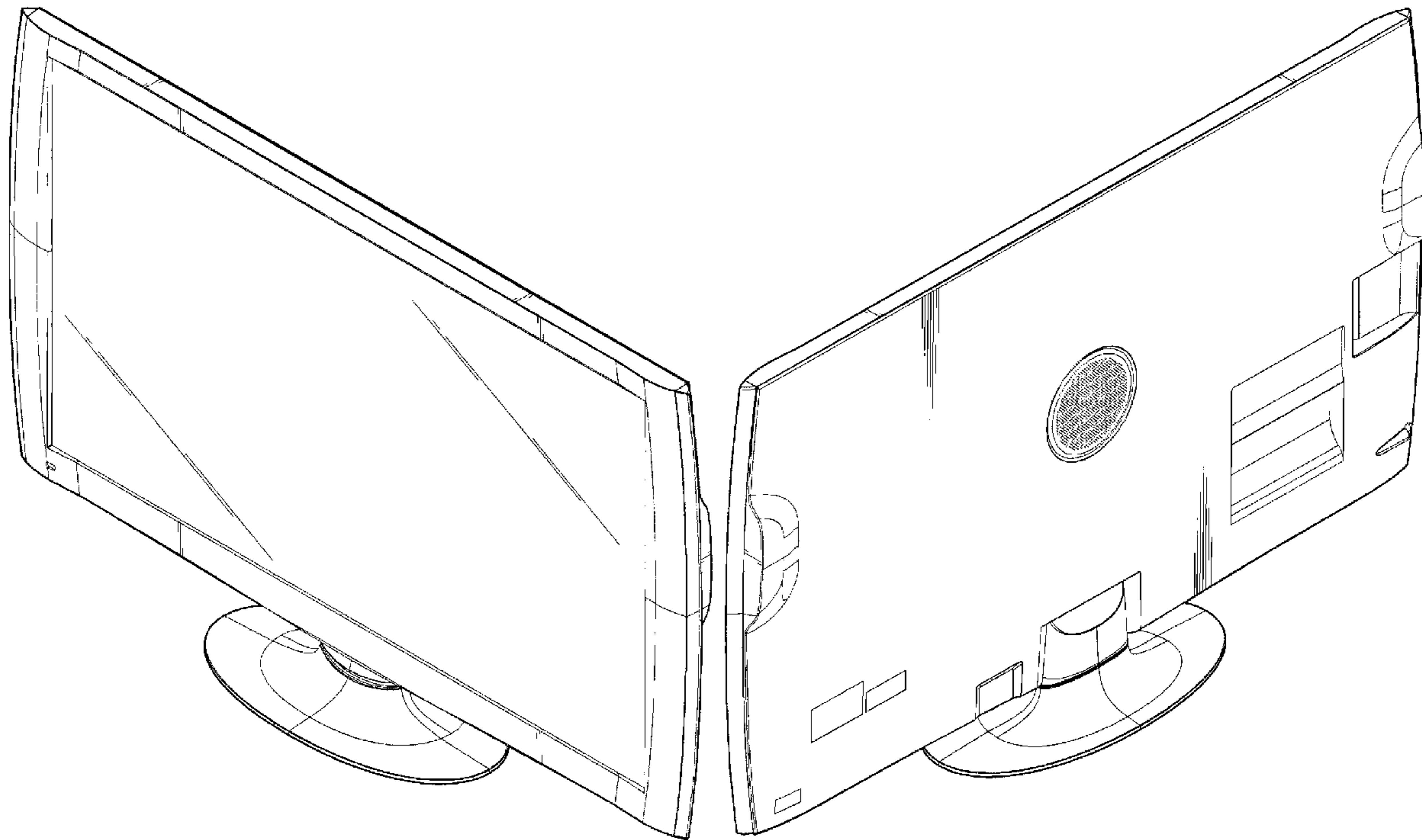
FIG. 5 is a right side elevational view thereof;

FIG. 6 is a top view thereof;

FIG. 7 is a bottom view thereof; and,

FIG. 8 is another perspective view of the display showing my new design in an alternative position.

1 Claim, 6 Drawing Sheets



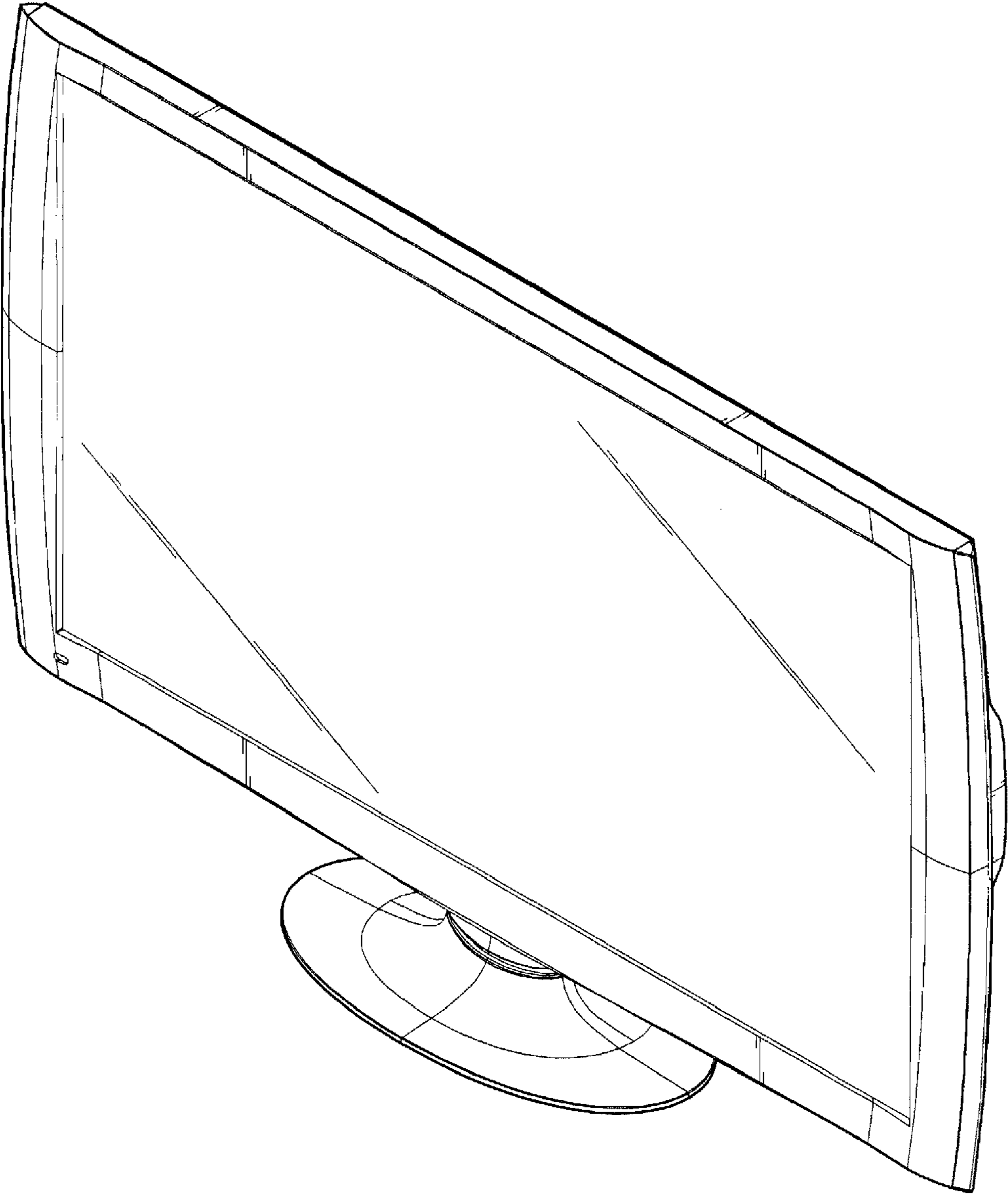


FIG. 1

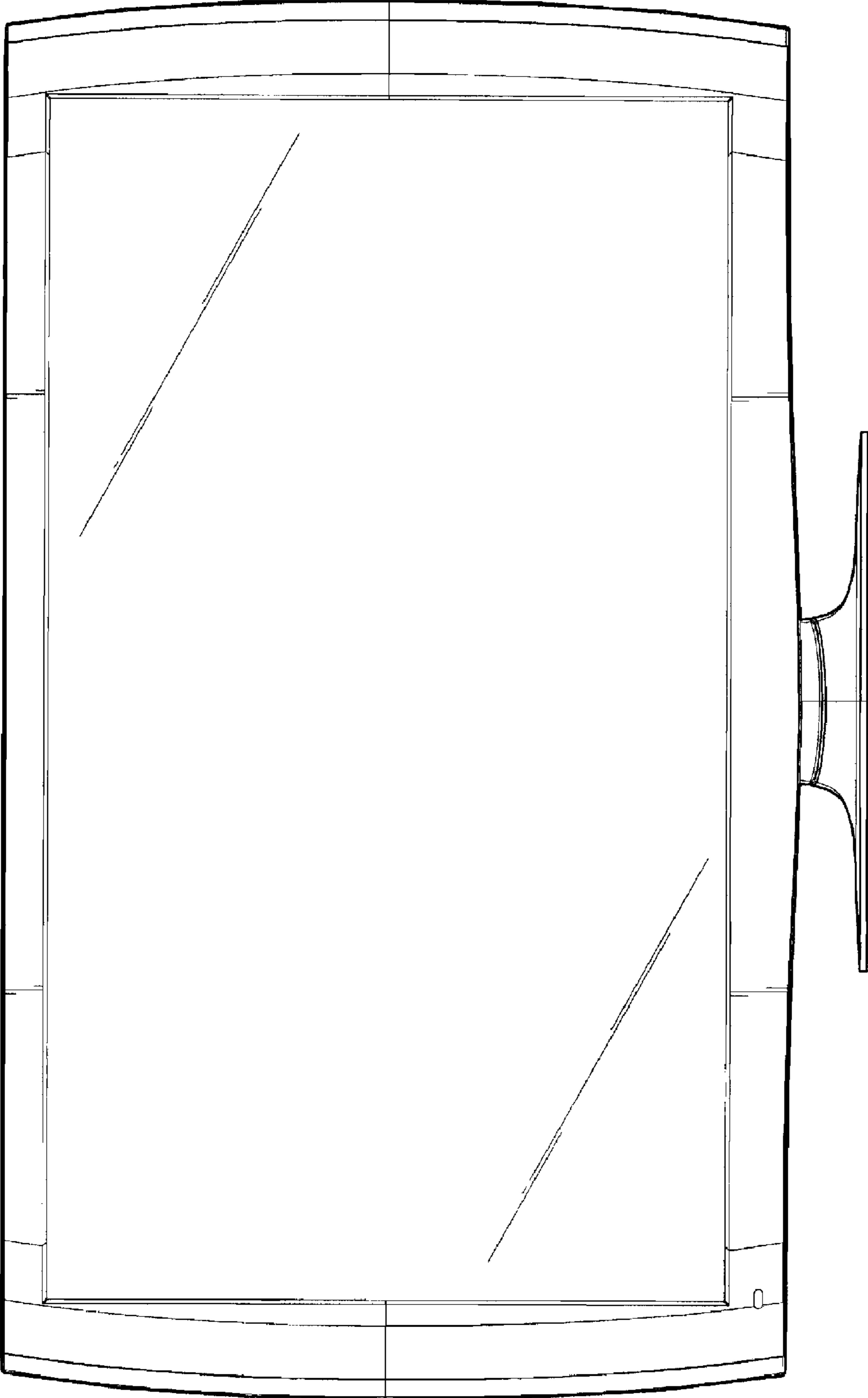


FIG.2

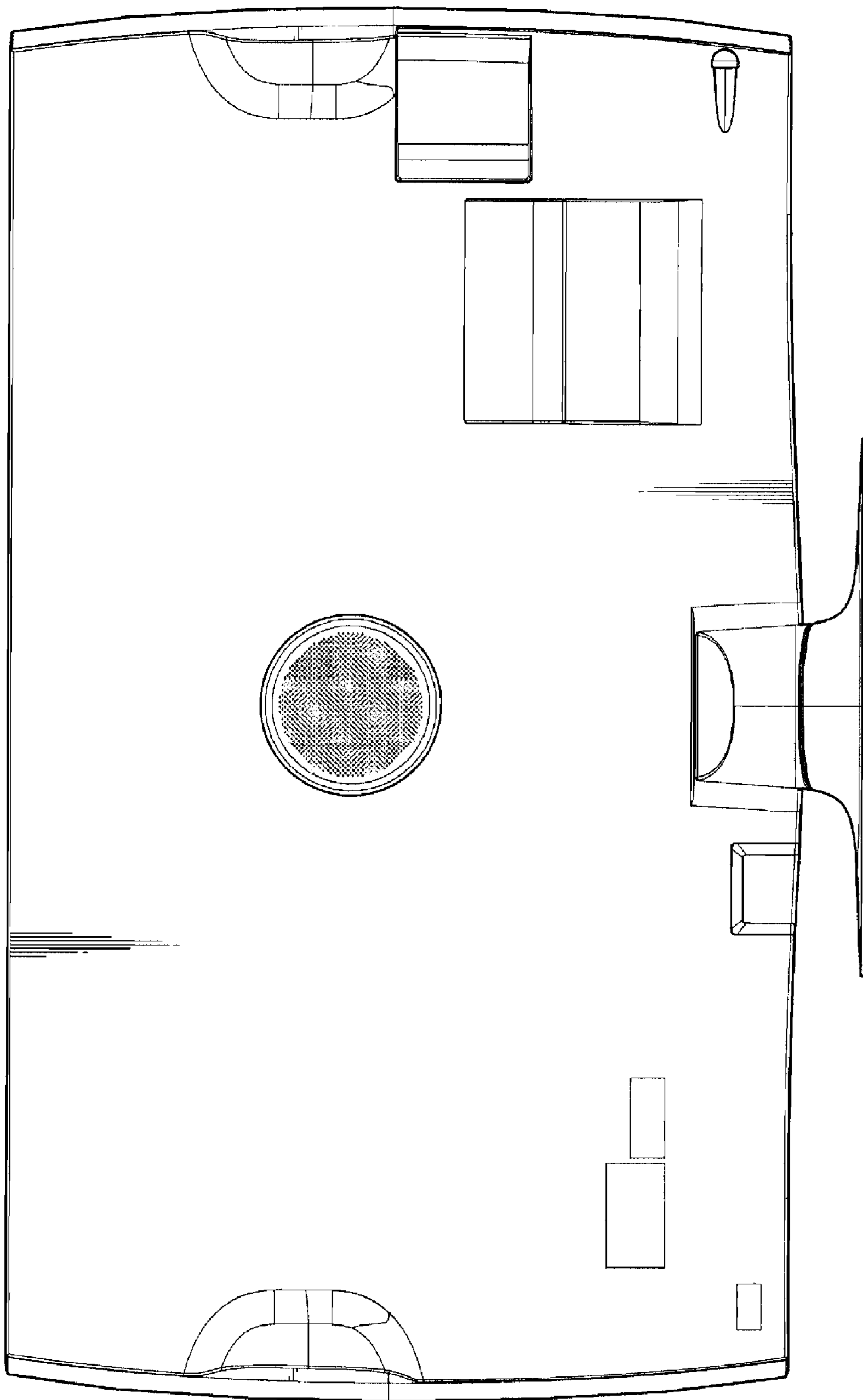


FIG. 3

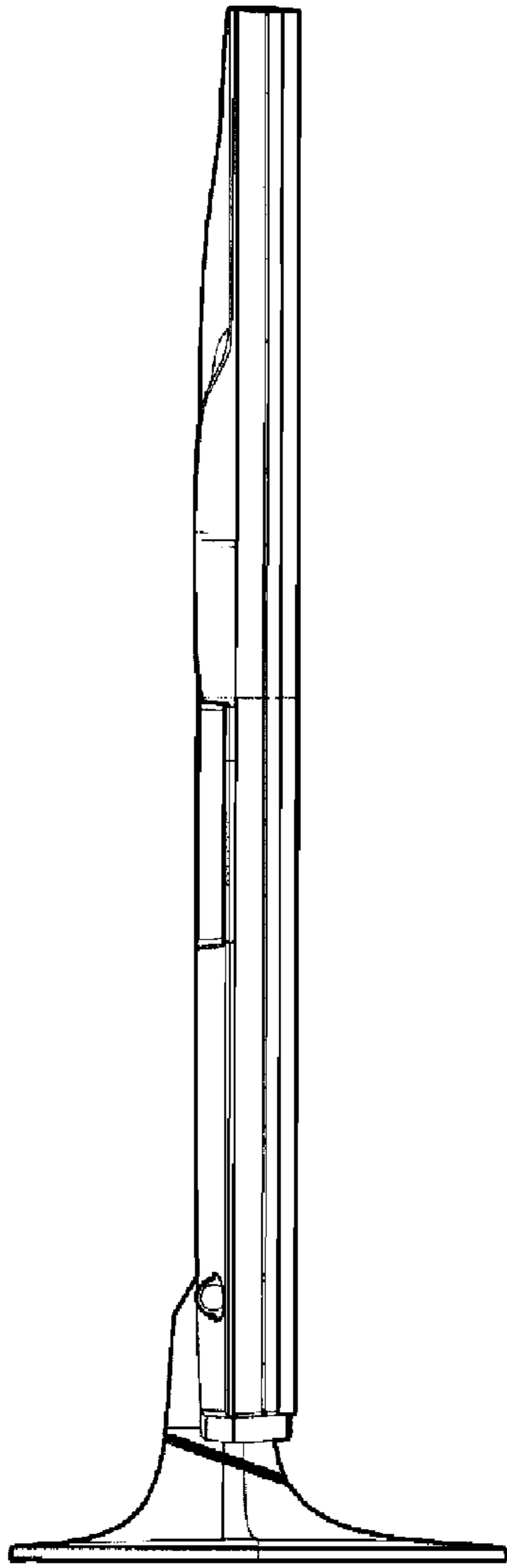


FIG. 4

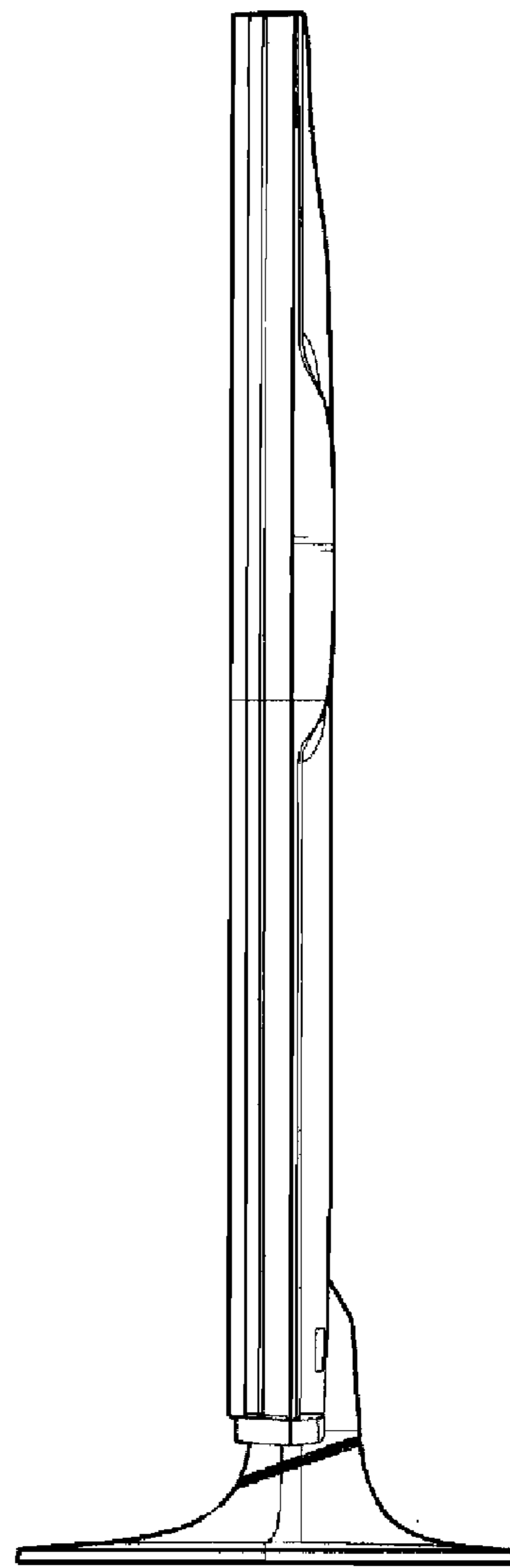


FIG. 5

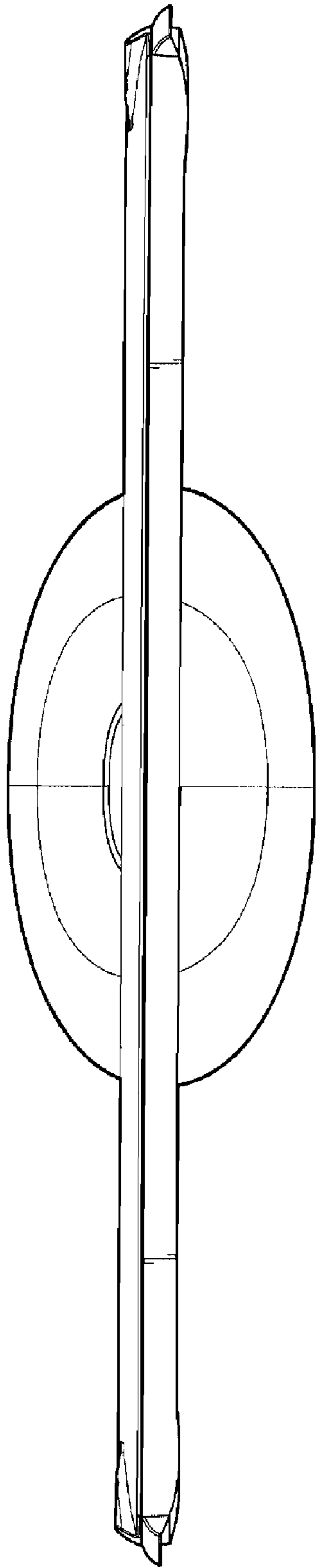


FIG. 6

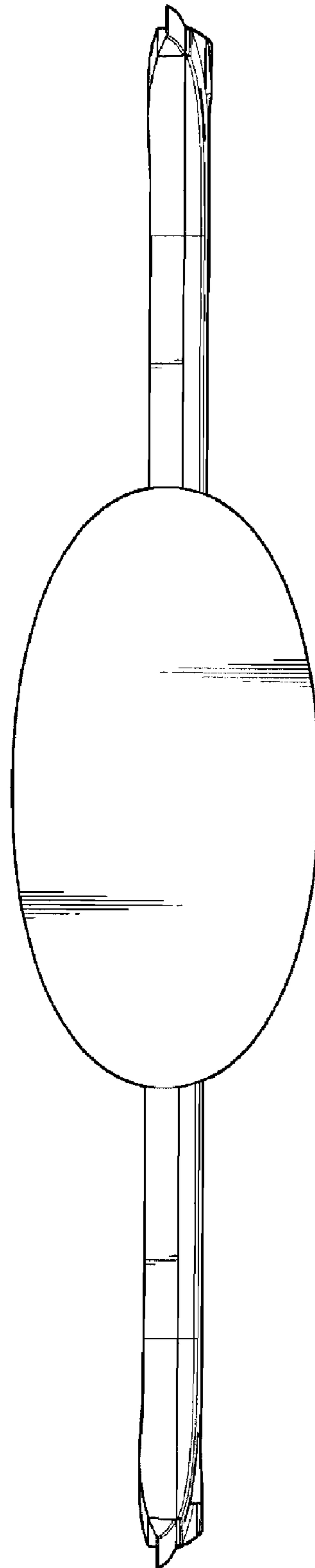


FIG. 7

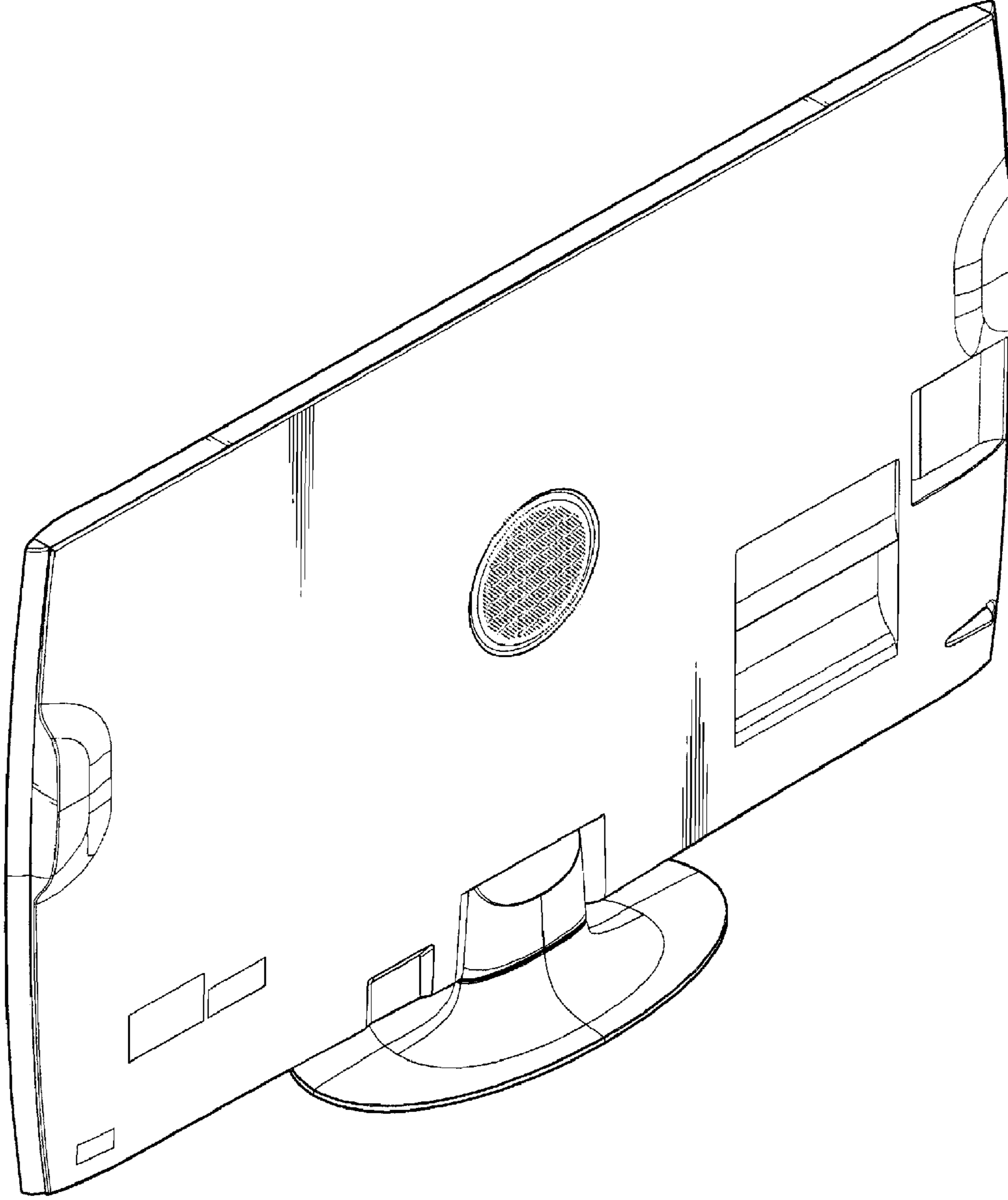


FIG.8