



US00D627346S

(12) **United States Design Patent**
Miyazoe

(10) **Patent No.:** **US D627,346 S**
(45) **Date of Patent:** **** Nov. 16, 2010**

(54) **SERIAL TRANSMITTER**

D442,147 S * 5/2001 Tamura D13/164

(75) Inventor: **Shinji Miyazoe**, Tsukubamirai (JP)

* cited by examiner

(73) Assignee: **SMC Corporation**, Chiyoda-ku, Tokyo (JP)

Primary Examiner—Prabhakar Deshmukh

Assistant Examiner—Derrick Holland

(**) Term: **14 Years**

(74) *Attorney, Agent, or Firm*—Yokoi & Co., U.S.A., Inc.; Toshiyuki Yokoi

(21) Appl. No.: **29/293,696**

(57) **CLAIM**

(22) Filed: **Dec. 7, 2007**

The ornamental design for a serial transmitter, as shown and described.

(30) **Foreign Application Priority Data**

DESCRIPTION

Jun. 8, 2007 (JP) 2007-015342

FIG. 1 shows a front view of a serial transmitter showing my new design;

(51) **LOC (9) Cl.** **14-02**

FIG. 2 shows a rear view thereof;

(52) **U.S. Cl.** **D14/358**; D13/110

FIG. 3 shows a top view thereof;

(58) **Field of Classification Search** D13/110, D13/101, 123, 147, 162, 164, 166, 184, 199; D14/240, 242, 357, 358; D23/233; 341/173; 361/679.01, 679.02, 730; 367/137, 138; 398/182

FIG. 4 shows a bottom view thereof;

FIG. 5 shows a left side view thereof;

See application file for complete search history.

FIG. 6 shows a right side view thereof;

FIG. 7 shows a top, front and right side perspective view thereof; and,

(56) **References Cited**

U.S. PATENT DOCUMENTS

3,540,480 A * 11/1970 Malinowski et al. 137/625.6
D338,653 S * 8/1993 Morgan et al. D13/110
D355,887 S * 2/1995 Rodeffer et al. D13/110
D396,210 S * 7/1998 Shiga et al. D13/123
D422,340 S * 4/2000 Hayashi et al. D23/233
D438,596 S * 3/2001 Takada et al. D23/233

FIG. 8 shows a bottom, rear and left side perspective view thereof.

The portions of the design shown in broken lines in FIGS. 2 and 6 are for the purpose of illustrating the environment only and form no part of the claimed design.

1 Claim, 3 Drawing Sheets

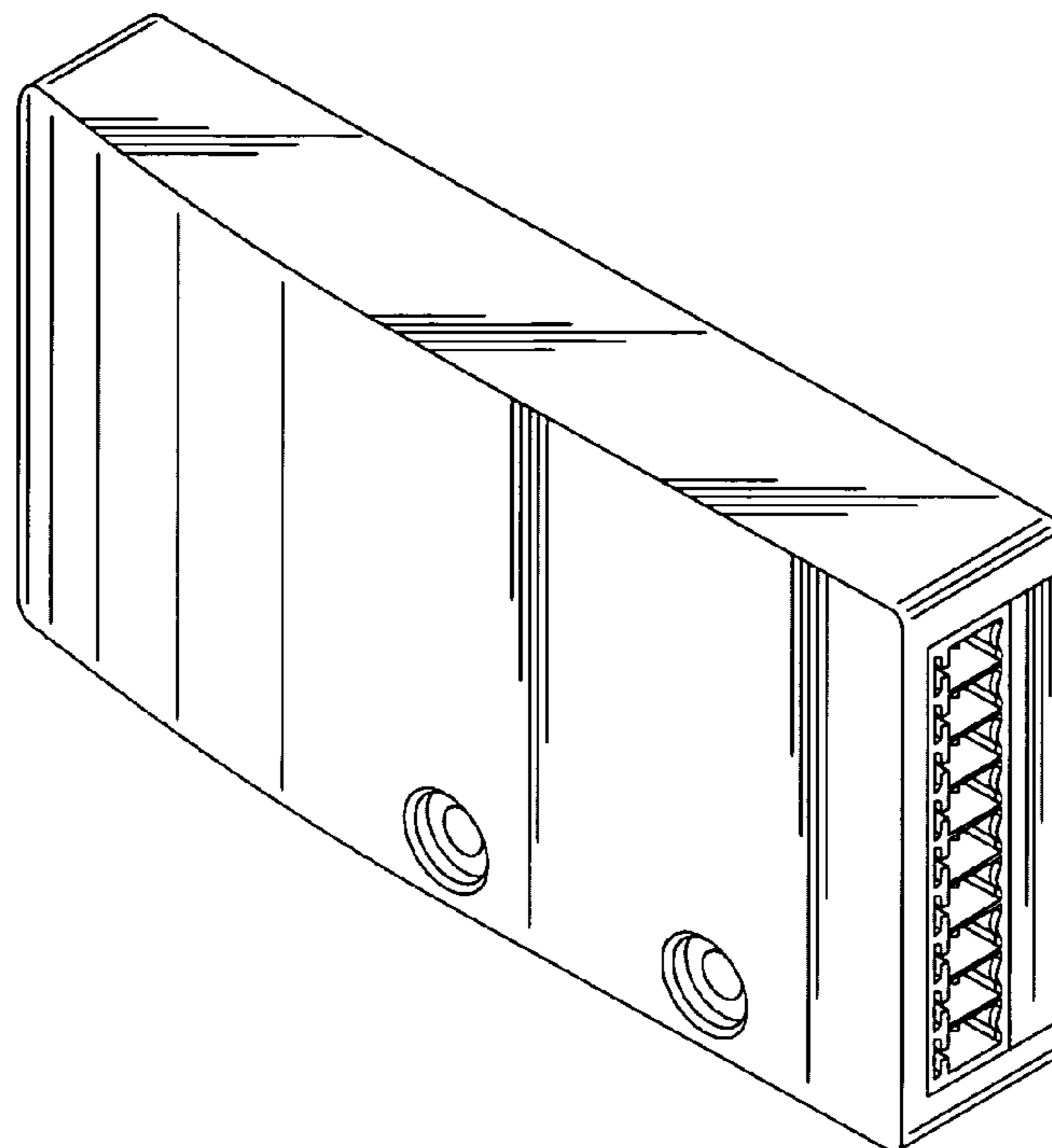


FIG. 1

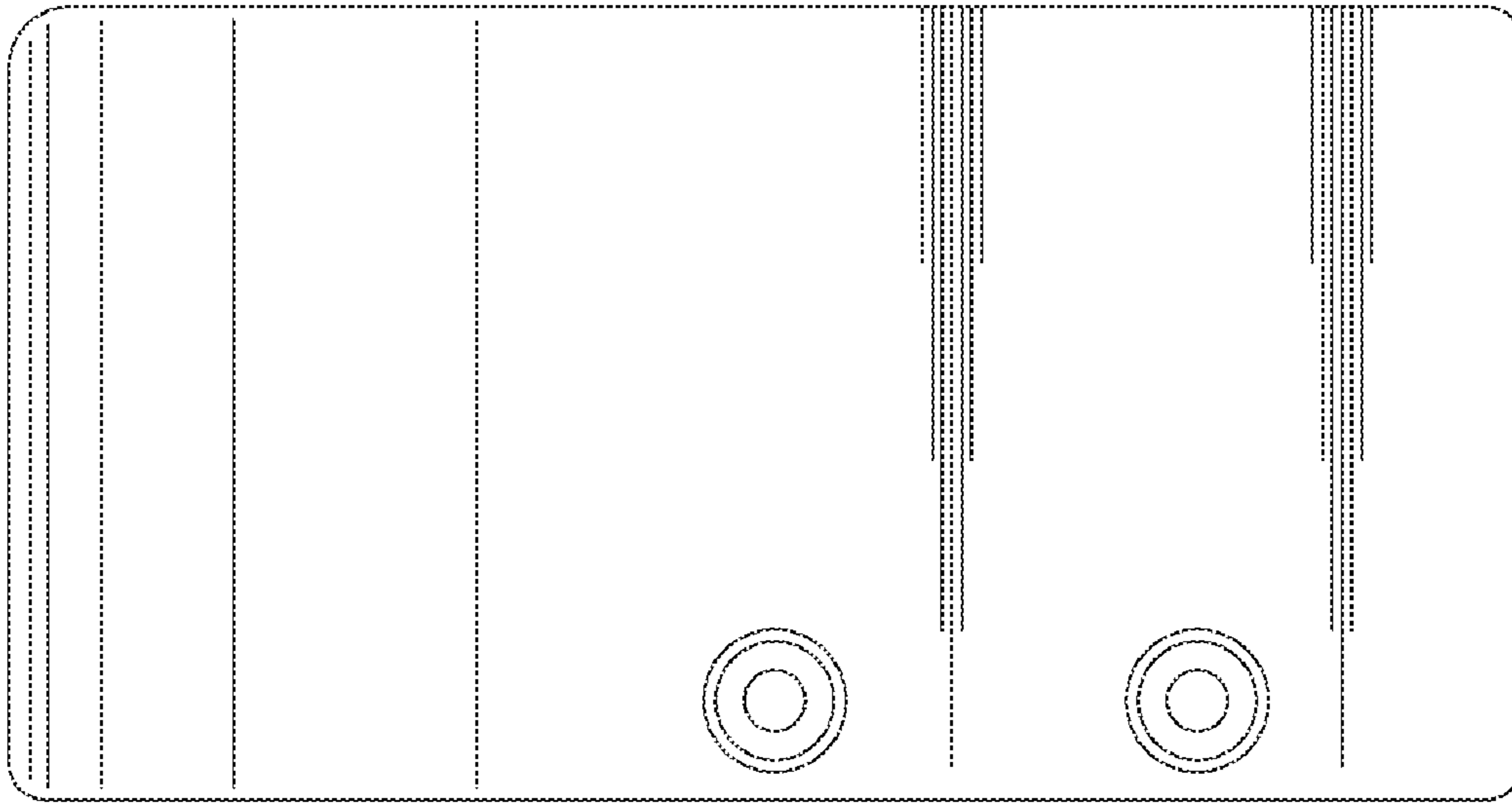


FIG. 2

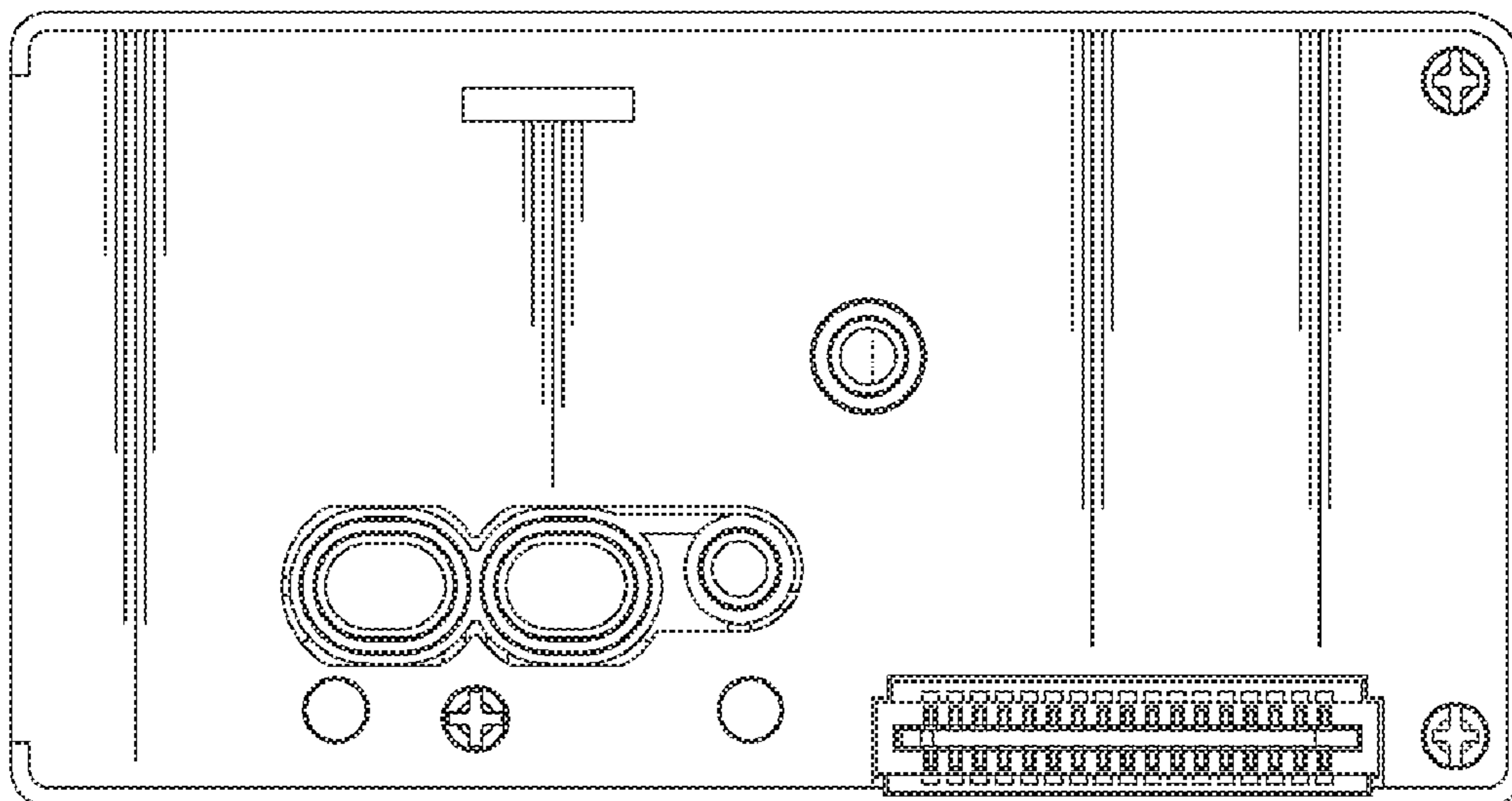


FIG. 3

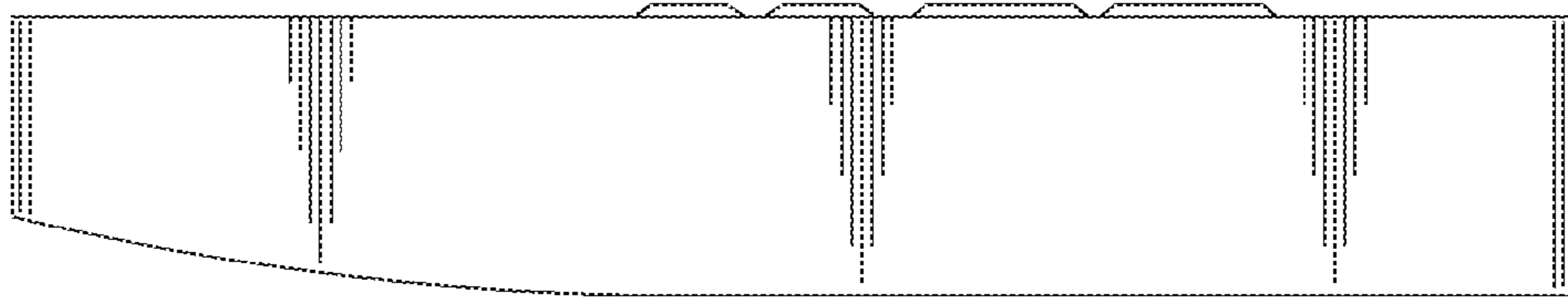


FIG. 4

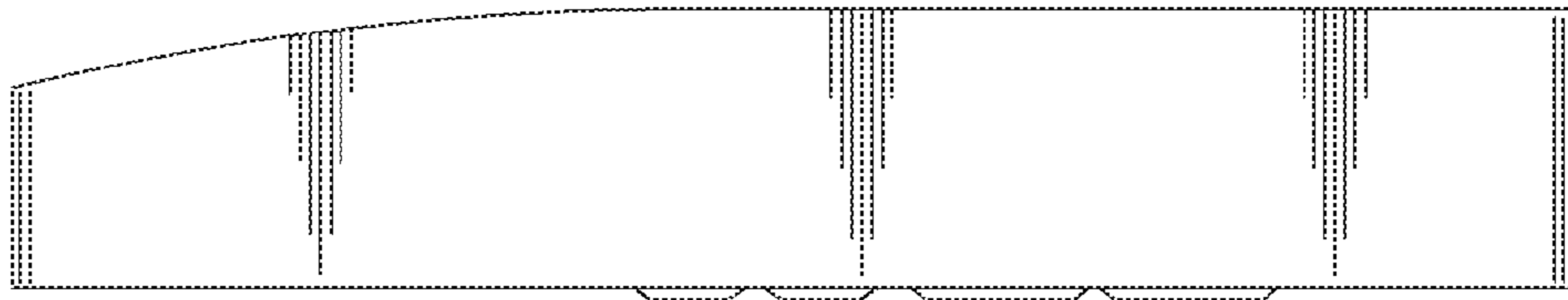


FIG. 5



FIG. 6

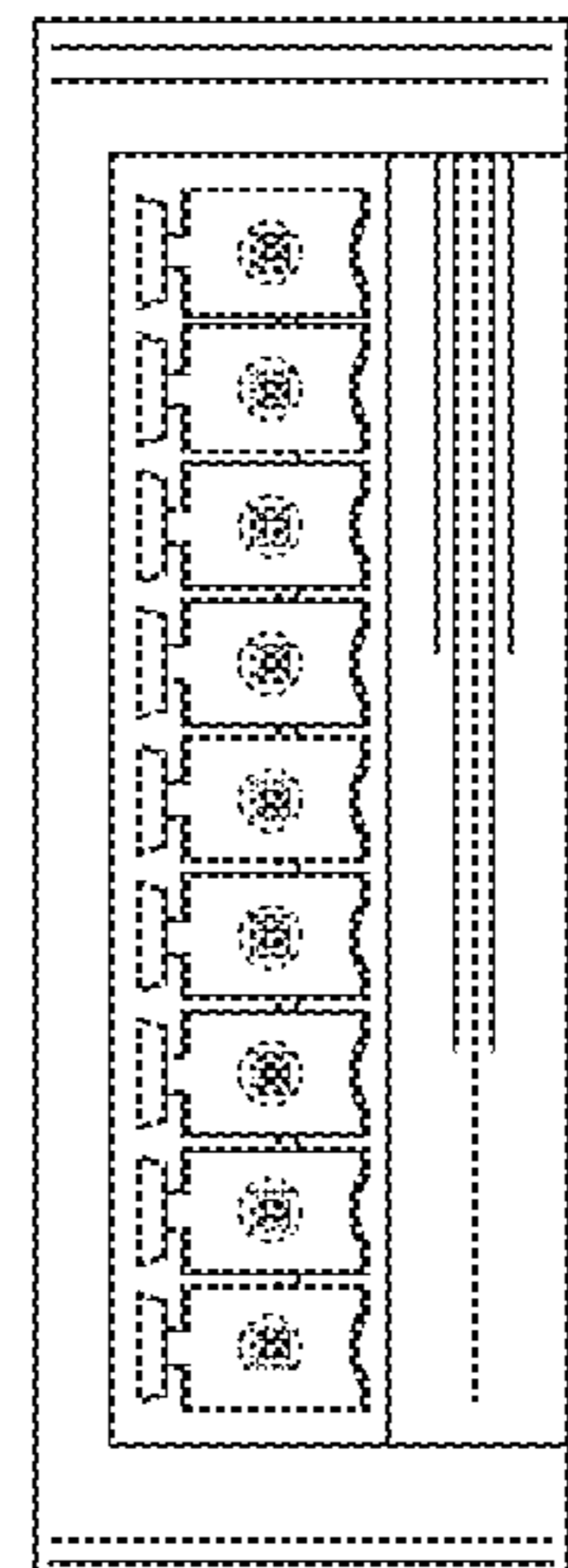


FIG. 7

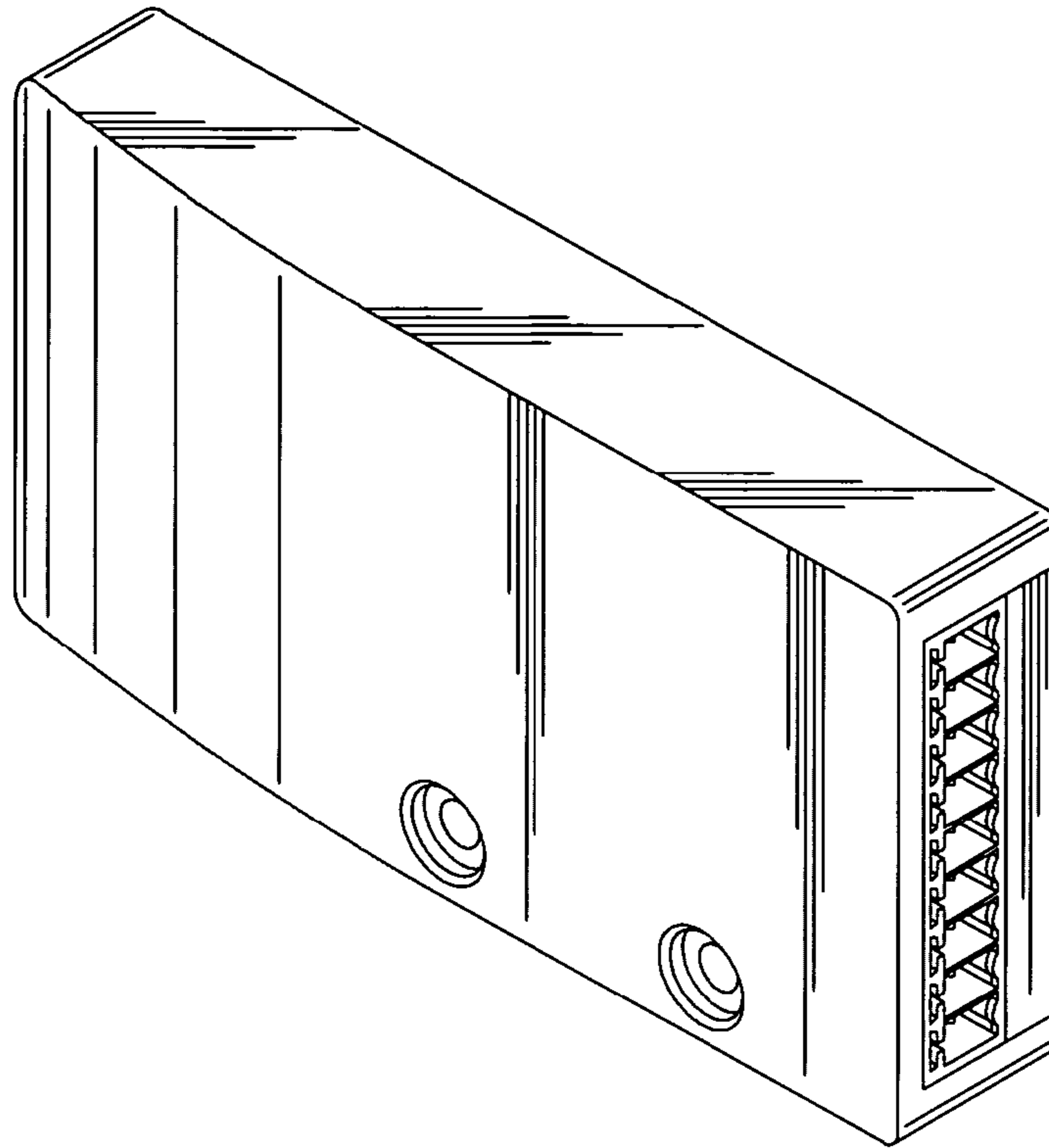


FIG. 8

