



US00D627345S

(12) **United States Design Patent**
Govindasamy et al.

(10) **Patent No.:** **US D627,345 S**

(45) **Date of Patent:** **** Nov. 16, 2010**

(54) **DIGITAL NETWORK DEVICE**

(75) Inventors: **Gururaj Govindasamy**, San Ramon, CA (US); **Jonathan Burke**, Berkeley, CA (US); **Kenneth Mak**, San Francisco, CA (US); **Thomas Nguyen**, Fremont, CA (US); **Jeffrey L. Pochop, Jr.**, Los Gatos, CA (US)

(73) Assignee: **Aruba Networks, Inc.**, Sunnyvale, CA (US)

(**) Term: **14 Years**

(21) Appl. No.: **29/331,667**

(22) Filed: **Jan. 29, 2009**

(51) **LOC (9) Cl.** **14-02**

(52) **U.S. Cl.** **D14/356; D14/240**

(58) **Field of Classification Search** D14/137, D14/167, 168, 231, 233, 235, 237, 240–242, D14/299, 432, 435, 436, 155, 496, 300, 301, D14/313, 314, 214, 348–363, 365–370; D18/56; D13/149, 162, 184, 199; D3/201, 273; D10/65, D10/75, 78; 312/223.1, 223.2; 369/34.01, 369/36.01, 272.1; 360/132, 133, 135; 361/679.31–679.45
See application file for complete search history.

(56) **References Cited**

U.S. PATENT DOCUMENTS

D297,007	S	*	8/1988	Pushelberg	D14/496
D307,274	S	*	4/1990	Sasaki et al.	D14/243
D328,734	S	*	8/1992	Riley et al.	D14/355
D337,314	S	*	7/1993	Spayde et al.	D14/314
D365,808	S	*	1/1996	Alden et al.	D14/432
D430,563	S	*	9/2000	Chen	D14/301
6,147,859	A	*	11/2000	Abboud	361/679.39
D437,592	S	*	2/2001	DeLeon	D14/242

D445,791	S	*	7/2001	Ito et al.	D14/368
D462,954	S	*	9/2002	Chen	D14/299
D487,079	S	*	2/2004	Asawa	D14/242
D510,343	S	*	10/2005	Wallace et al.	D14/240
D518,640	S	*	4/2006	Hoofnagle	D3/273
D595,292	S	*	6/2009	Harden et al.	D14/356
D595,293	S	*	6/2009	Harden et al.	D14/356
2003/0081377	A1	*	5/2003	Lin	361/683

* cited by examiner

Primary Examiner—Cathron C Brooks

Assistant Examiner—Karen E Kearney

(74) *Attorney, Agent, or Firm*—Blakely, Sokoloff, Taylor & Zafman LLP

(57) **CLAIM**

We claim the ornamental design for a digital network device, substantially as shown and described.

DESCRIPTION

FIG. 1. Is a front perspective view of a digital network device in accordance with the present design.

FIG. 2 is a rear perspective view of the digital network device shown in FIG. 1.

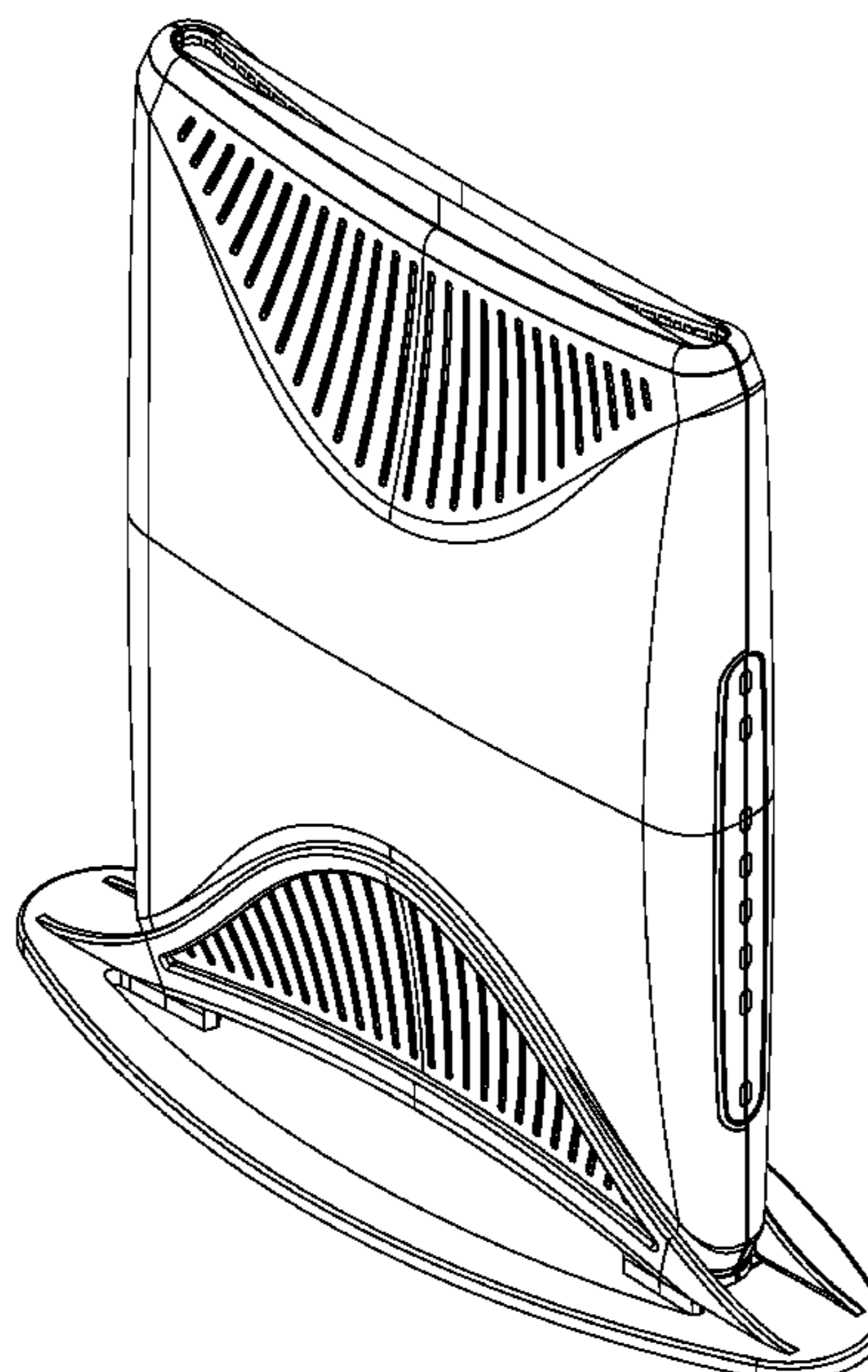
FIG. 3 is a side view of the digital network device shown in FIG. 1.

FIG. 4 is a front view of the digital network device shown in FIG. 1; and,

FIG. 5 is a bottom view of the digital network device shown in FIG. 1.

The broken line showing of the various regions in FIG. 5 are included for the purpose of illustrating unclaimed portions of the digital network device and form no part of the claimed design.

1 Claim, 5 Drawing Sheets



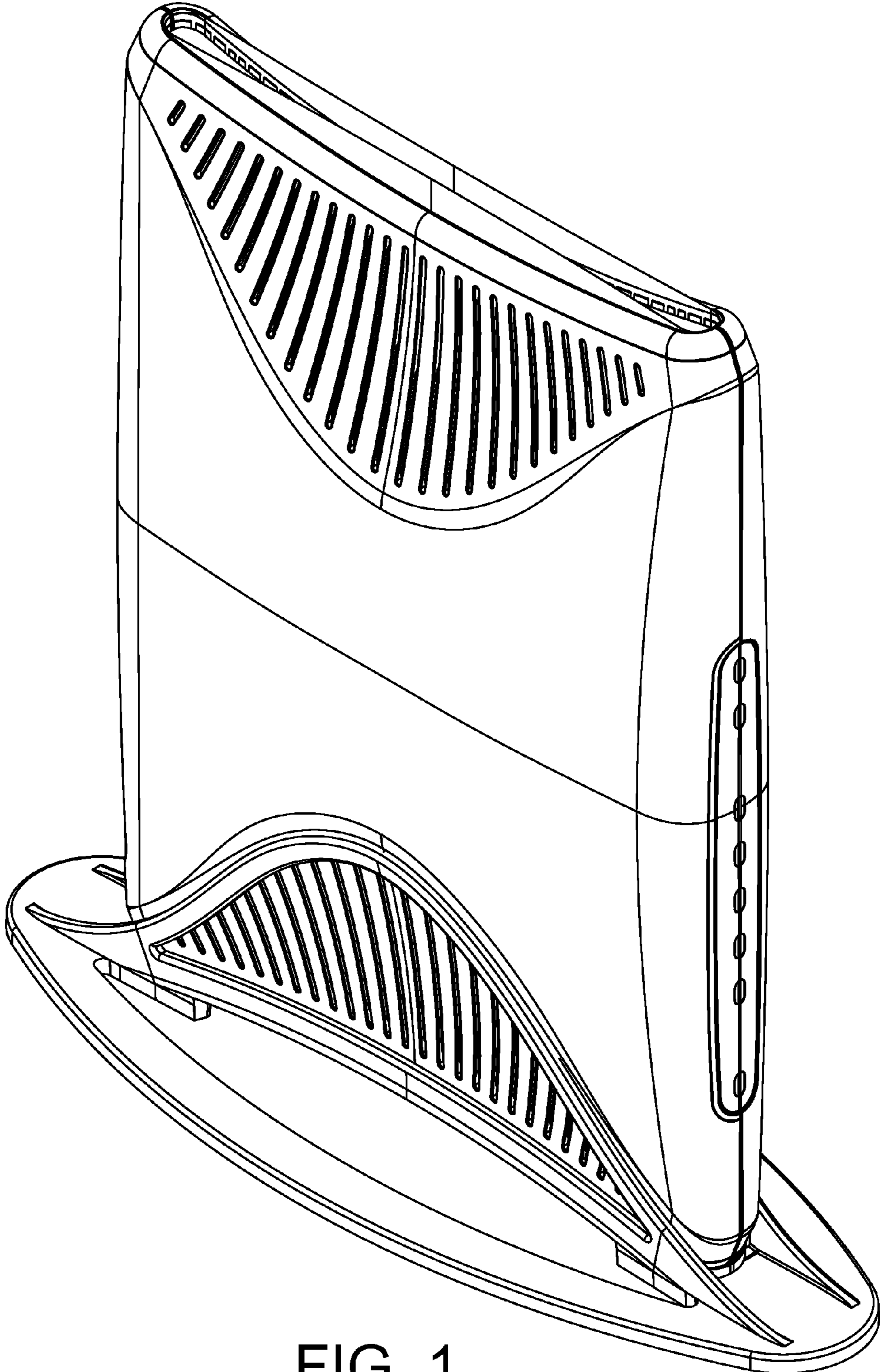


FIG. 1

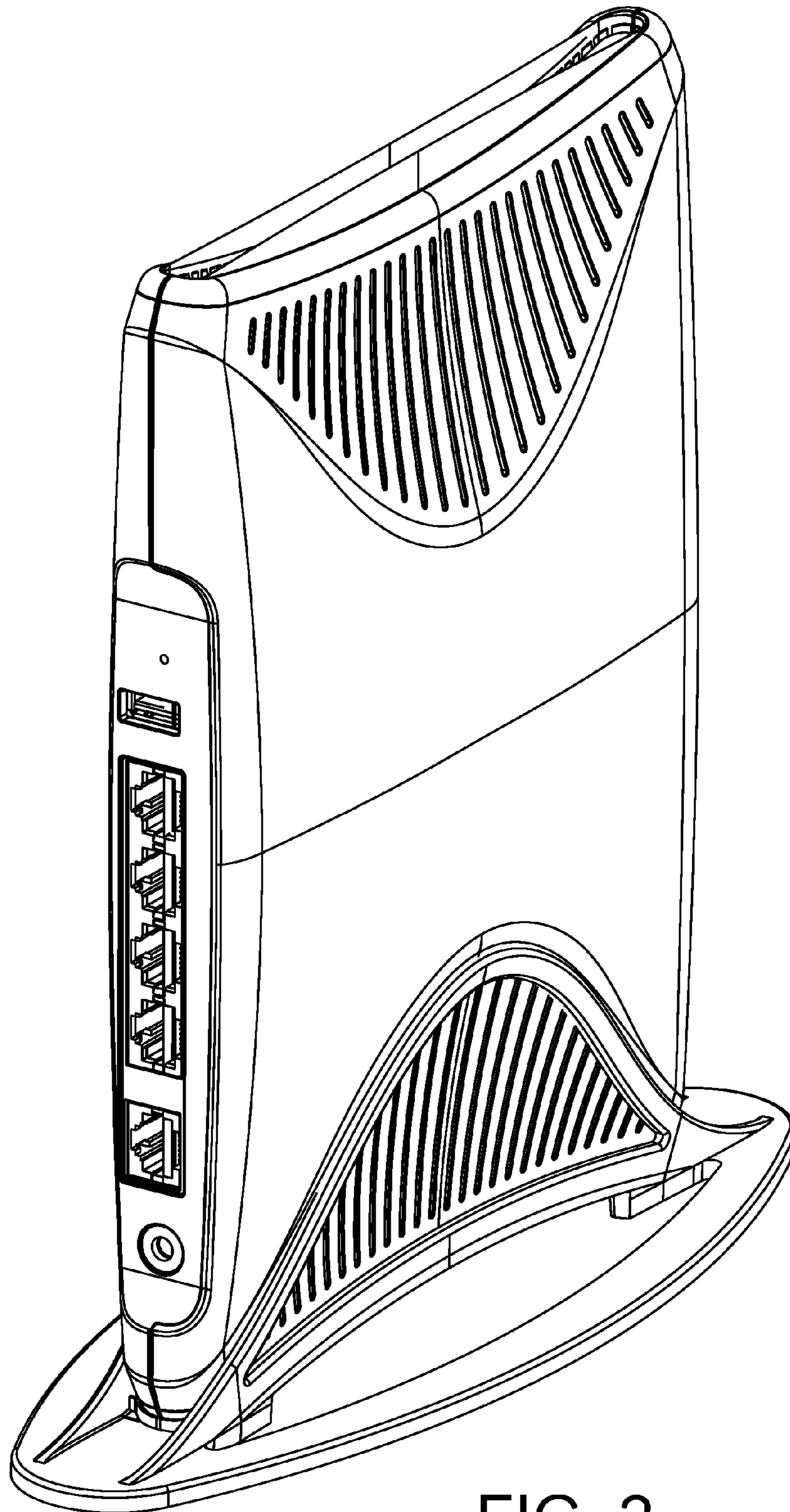


FIG. 2

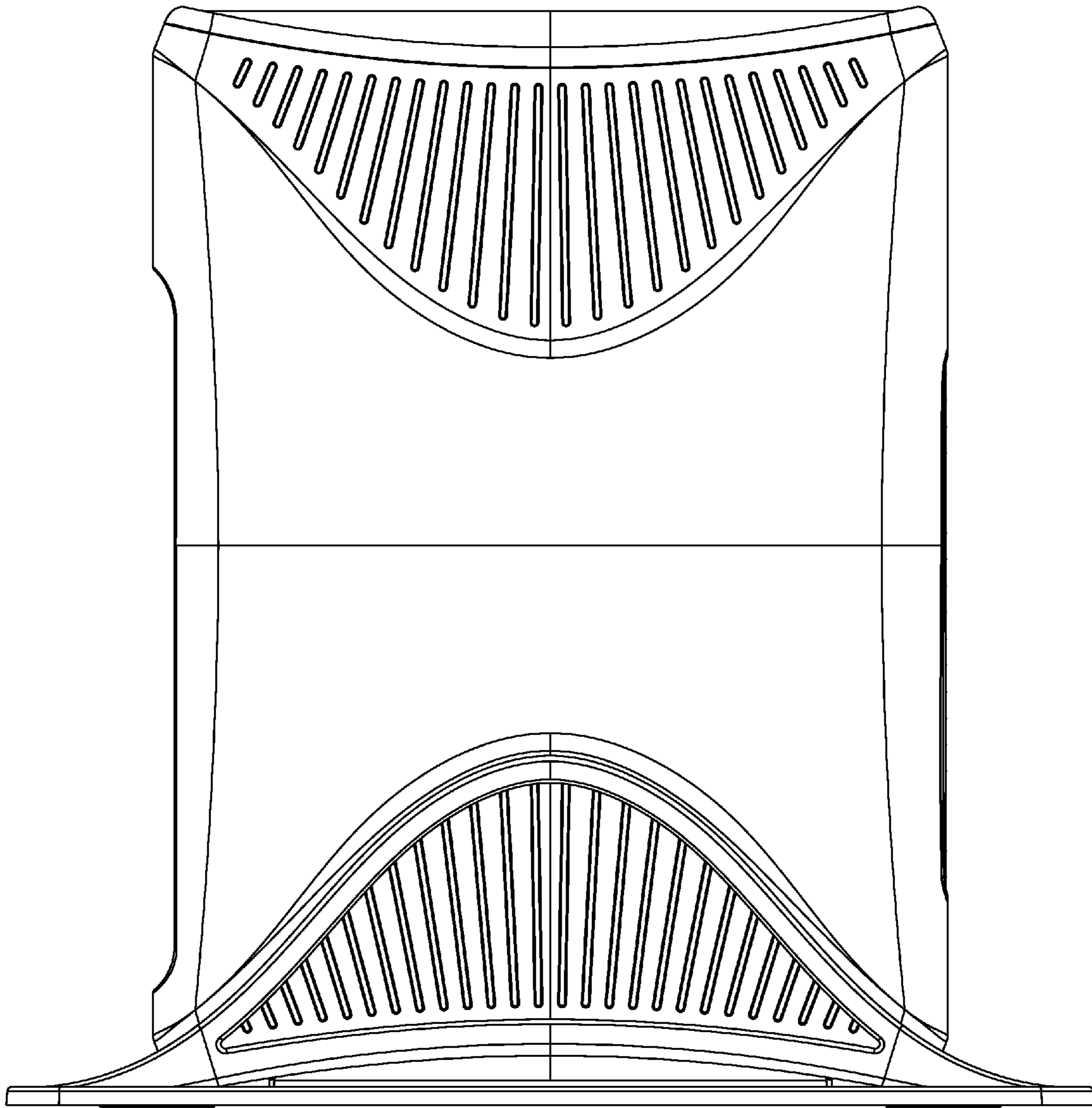


FIG. 3

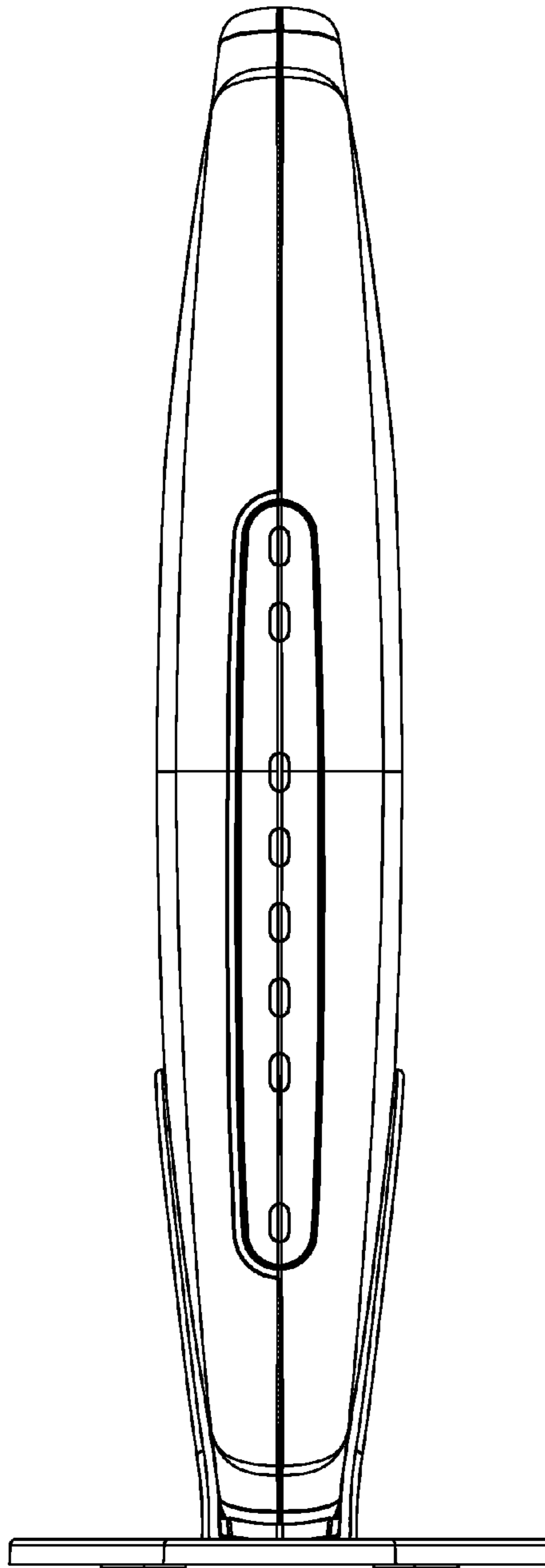


FIG. 4

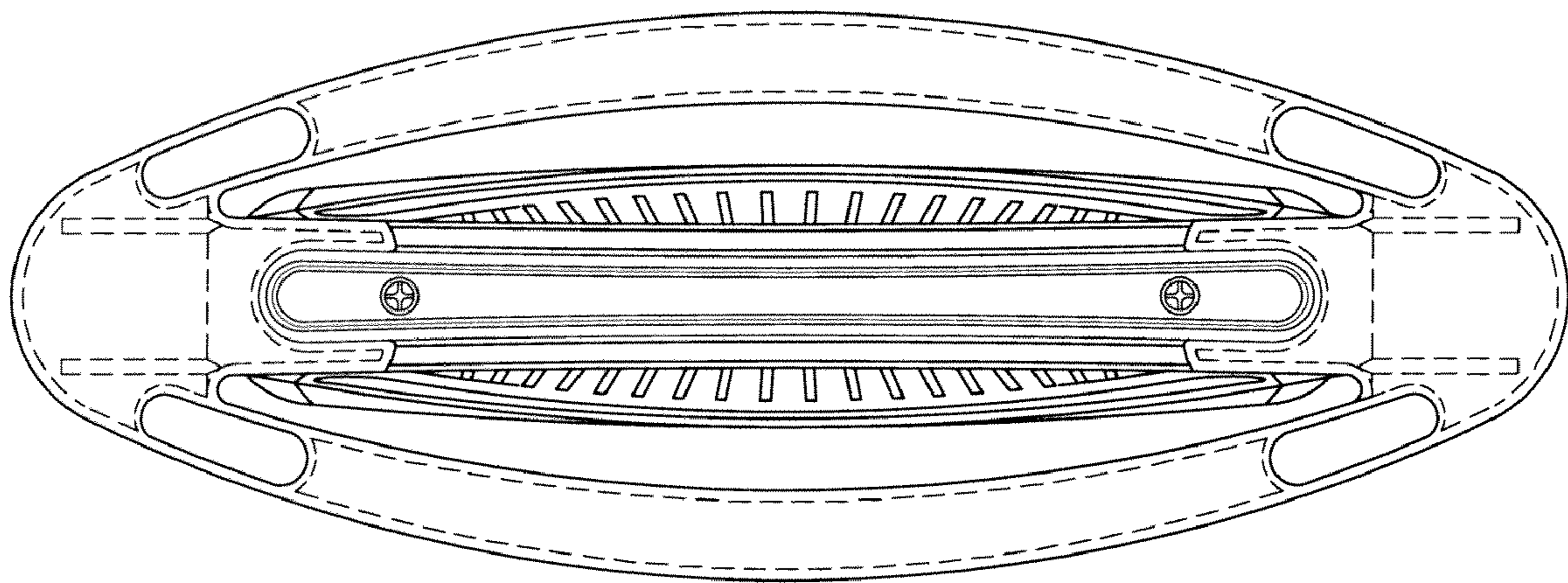


FIG. 5