



US00D627341S

(12) **United States Design Patent**
Yoon

(10) **Patent No.:** **US D627,341 S**
(45) **Date of Patent:** **** Nov. 16, 2010**

(54) **NET BOOK**
(75) Inventor: **Sang-Won Yoon**, Seoul (KR)
(73) Assignee: **Samsung Electronics Co., Ltd.**, Suwon, Kyunggi-do (KR)
(**) Term: **14 Years**
(21) Appl. No.: **29/349,025**
(22) Filed: **Mar. 2, 2010**
(51) **LOC (9) Cl.** **14-02**
(52) **U.S. Cl.** **D14/315**
(58) **Field of Classification Search** D14/315-323, D14/341-346; D19/26, 59, 60; 361/679.06-679.09, 361/679.1, 679.12; 349/12; 345/156, 168, 345/169, 172, 173; 178/18.03; 434/307 R, 434/317, 308, 309
See application file for complete search history.

D567,236 S 4/2008 Yoon
D572,247 S * 7/2008 Andre et al. D14/315
D574,378 S * 8/2008 Andre et al. D14/315
D578,523 S 10/2008 Yoon
D578,524 S 10/2008 Yoon
D578,525 S 10/2008 Yoon
D580,432 S 11/2008 Yun et al.
D586,343 S 2/2009 Lee et al.
D586,796 S 2/2009 Lee et al.
D586,797 S 2/2009 Kawase et al.
D587,701 S 3/2009 Yoon
D596,633 S 7/2009 Kawase et al.
D600,688 S * 9/2009 Andre et al. D14/327
D602,485 S * 10/2009 Ting et al. D14/318

(Continued)

OTHER PUBLICATIONS

U.S. Appl. No. 29/313,601, Applicant: Seung-Hyun Paek, filed Jan. 26, 2009 entitled Notebook Computer.

(Continued)

Primary Examiner—Cathron C Brooks
Assistant Examiner—Barbara Fox
(74) *Attorney, Agent, or Firm*—Flynn, Thiel, Boutell & Tanis, P.C.

(56) **References Cited**
U.S. PATENT DOCUMENTS

D332,944 S 2/1993 Kim
D334,738 S 4/1993 Kim
D335,870 S 5/1993 Yun
D336,465 S 6/1993 Kim
D338,457 S 8/1993 Kim
D348,442 S 7/1994 Yoon
D463,797 S * 10/2002 Andre et al. D14/327
D491,177 S * 6/2004 Andre et al. D14/318
D492,678 S 7/2004 Kim et al.
D493,785 S * 8/2004 Andre et al. D14/318
D523,010 S 6/2006 Paek et al.
D523,431 S 6/2006 Yoon
D523,851 S 6/2006 Jeong et al.
D523,852 S 6/2006 Kim et al.
D524,306 S 7/2006 Yun et al.
D524,307 S 7/2006 Kim et al.
D535,652 S 1/2007 Lee et al.
D547,309 S 7/2007 Yoon
D547,310 S 7/2007 Yoon
D556,192 S 11/2007 Jeong et al.
D558,752 S * 1/2008 Andre et al. D14/315

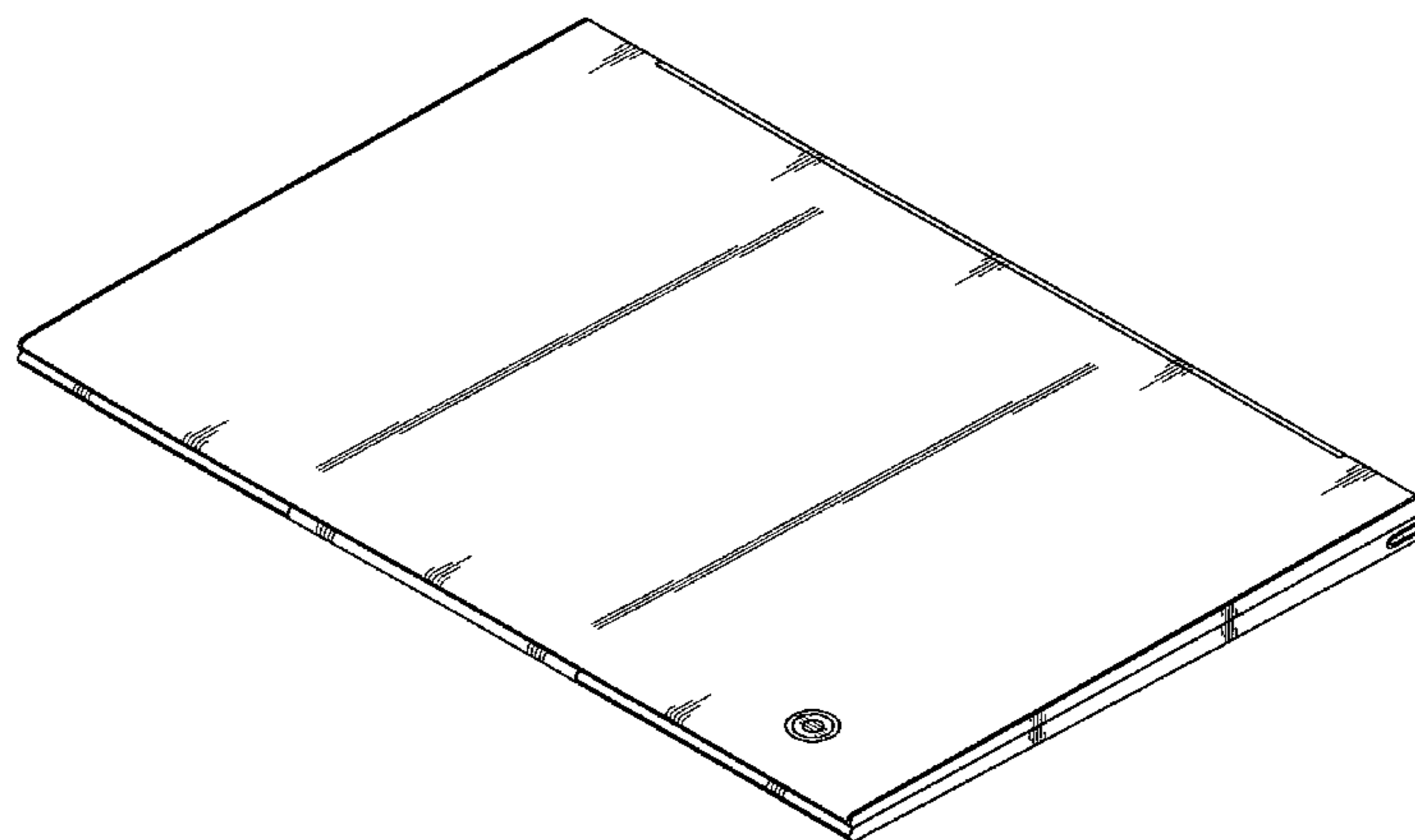
(57) **CLAIM**

The ornamental design for a net book, as shown and described.

DESCRIPTION

FIG. 1 is a top front perspective view of a net book showing my new design;
FIG. 2 is a front elevational view thereof;
FIG. 3 is a rear elevational view thereof;
FIG. 4 is a left side elevational view thereof;
FIG. 5 is a right side elevational view thereof;
FIG. 6 is a top plan view thereof; and,
FIG. 7 is a bottom plan view thereof.

1 Claim, 4 Drawing Sheets



US D627,341 S

Page 2

U.S. PATENT DOCUMENTS

D603,391 S 11/2009 Song et al.
D603,392 S 11/2009 Jeong et al.
D603,393 S * 11/2009 Paek D14/315
D603,394 S 11/2009 Lee
D603,395 S 11/2009 Hong et al.
D603,861 S 11/2009 Hong et al.
D606,067 S * 12/2009 Yoon D14/315
D606,068 S 12/2009 Hong et al.
D606,069 S 12/2009 Heck et al.
D606,070 S 12/2009 Heck et al.
D606,534 S 12/2009 Hong et al.
D606,989 S * 12/2009 Andre et al. D14/315
D606,991 S * 12/2009 Liu et al. D14/327
D606,992 S * 12/2009 Liu et al. D14/327
D608,777 S * 1/2010 Yoon D14/315
D611,044 S * 3/2010 Andre et al. D14/327
D611,045 S * 3/2010 Andre et al. D14/327
D611,468 S 3/2010 Yun et al.
D611,941 S * 3/2010 Wang et al. D14/341
D614,180 S * 4/2010 Gou D14/318
D614,614 S * 4/2010 Yoon D14/315
D614,615 S * 4/2010 Yoon D14/315
D615,539 S * 5/2010 Jen D14/315
D616,881 S * 6/2010 Andre et al. D14/318

D617,789 S * 6/2010 Akana et al. D14/318

OTHER PUBLICATIONS

U.S. Appl. No. 29/315,566, Applicant: Sang-Won Yoon, filed Jul. 6, 2009 entitled Notebook Computer.
U.S. Appl. No. 29/315,567, Applicant: Sang-Won Yoon, filed Jul. 6, 2009 entitled Notebook Computer.
U.S. Appl. No. 29/349,005, Applicant: Atsushi Kawase et al., filed Mar. 1, 2010 entitled Note Book.
U.S. Appl. No. 29/349,008, Applicant: Se-O Lee et al., filed Mar. 2, 2010 entitled Net Book.
U.S. Appl. No. 29/349,009, Applicant: Sang-Won Yoon et al., filed Mar. 2, 2010 entitled Net Book.
U.S. Appl. No. 29/349,010, Applicant: Seung-Hyun Paek et al., filed Mar. 2, 2010 entitled Net Book.
U.S. Appl. No. 29/349,011, Applicant: Se-O Lee et al., filed Mar. 2, 2010 entitled Net Book.
U.S. Appl. No. 29/349,022, Applicant: Sang-Won Yoon, et al., filed Mar. 2, 2010 entitled Net Book.
U.S. Appl. No. 29/349,023, Applicant: Sang-Won Yoon, filed Mar. 2, 2010 entitled Net Book.
U.S. Appl. No. 29/349,024, Applicant: Seung-Hyun Paek, filed Mar. 2, 2010 entitled Net Book.

* cited by examiner

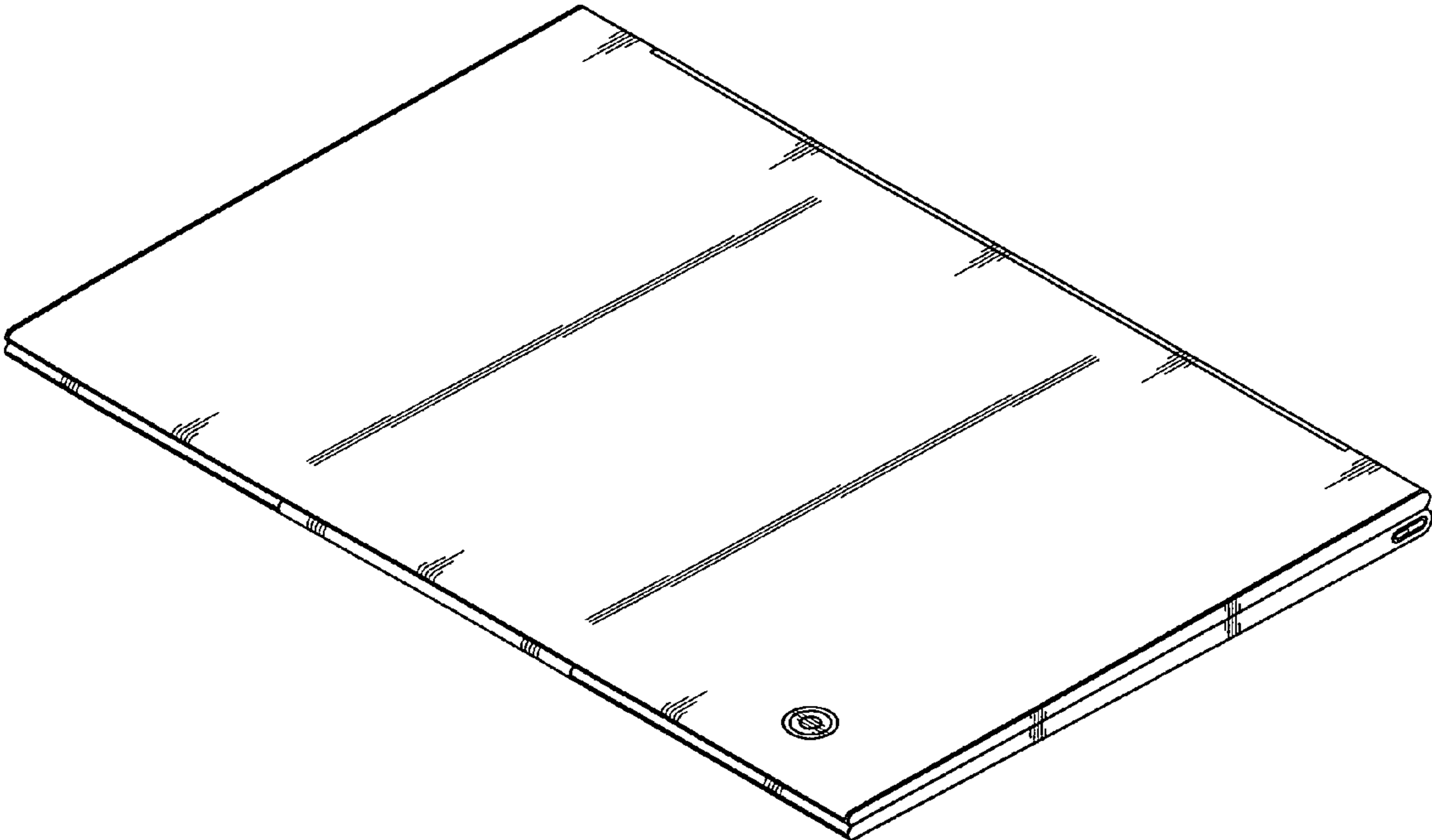


FIG. 1

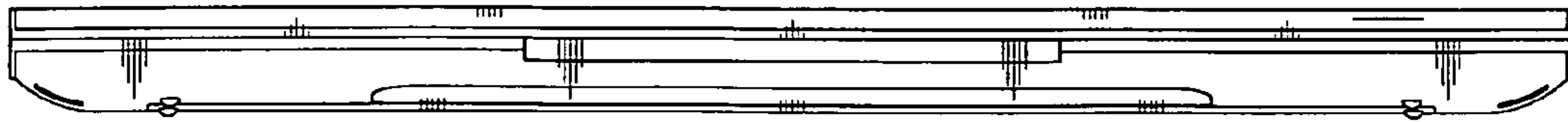


FIG. 2



FIG. 3

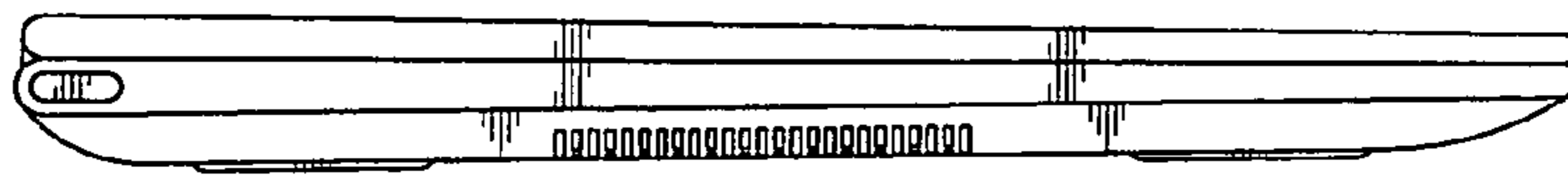


FIG. 4

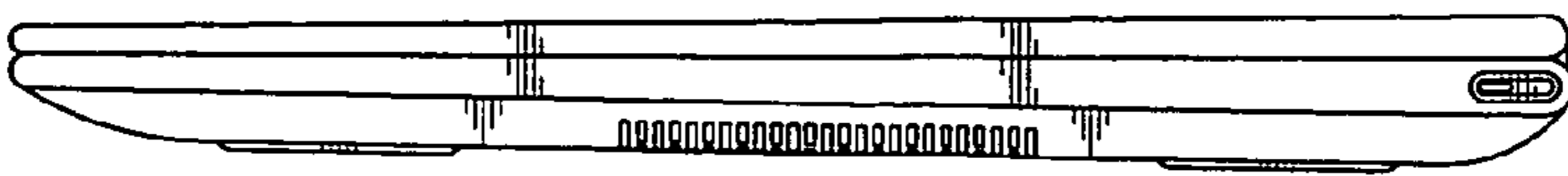


FIG. 5

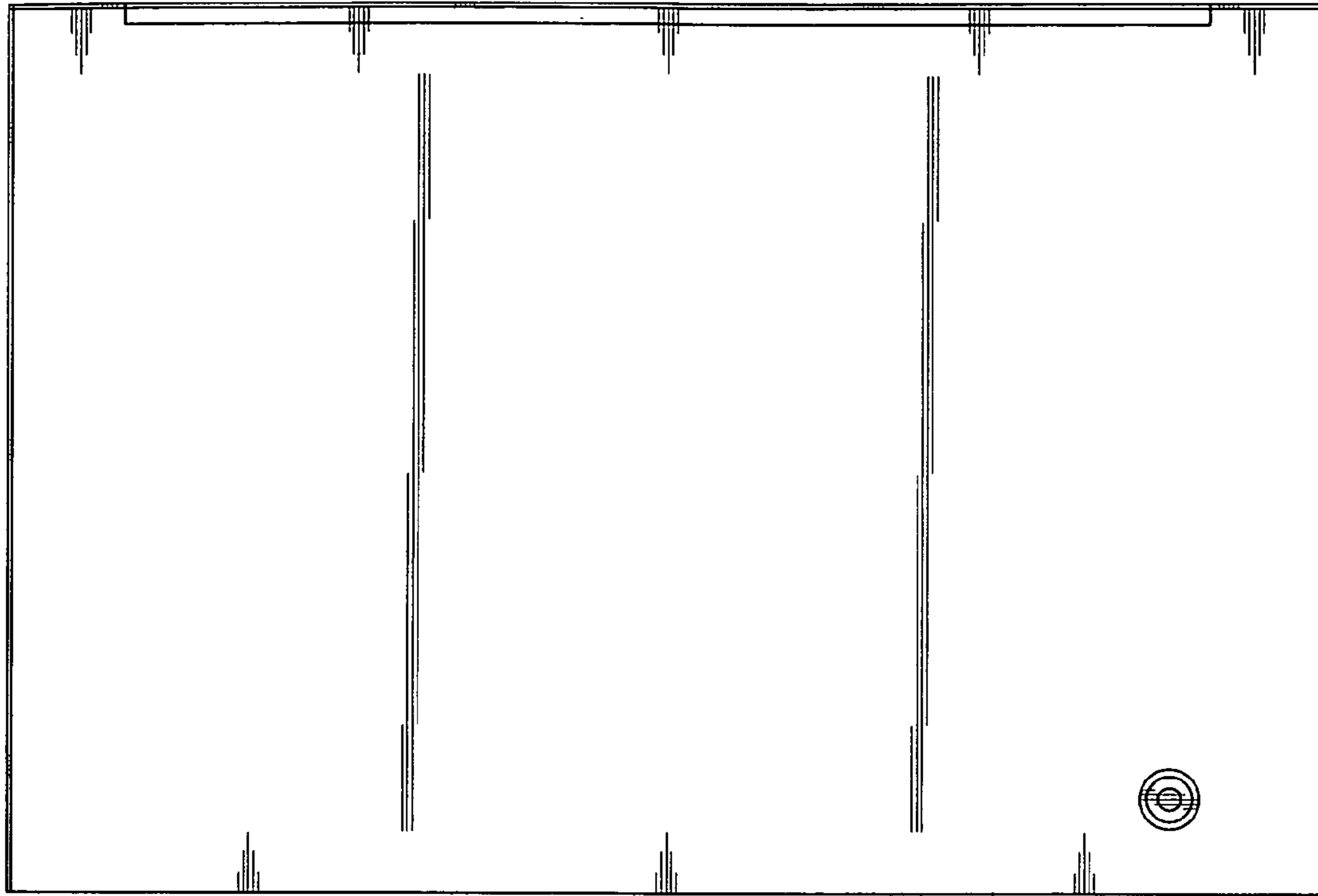


FIG. 6

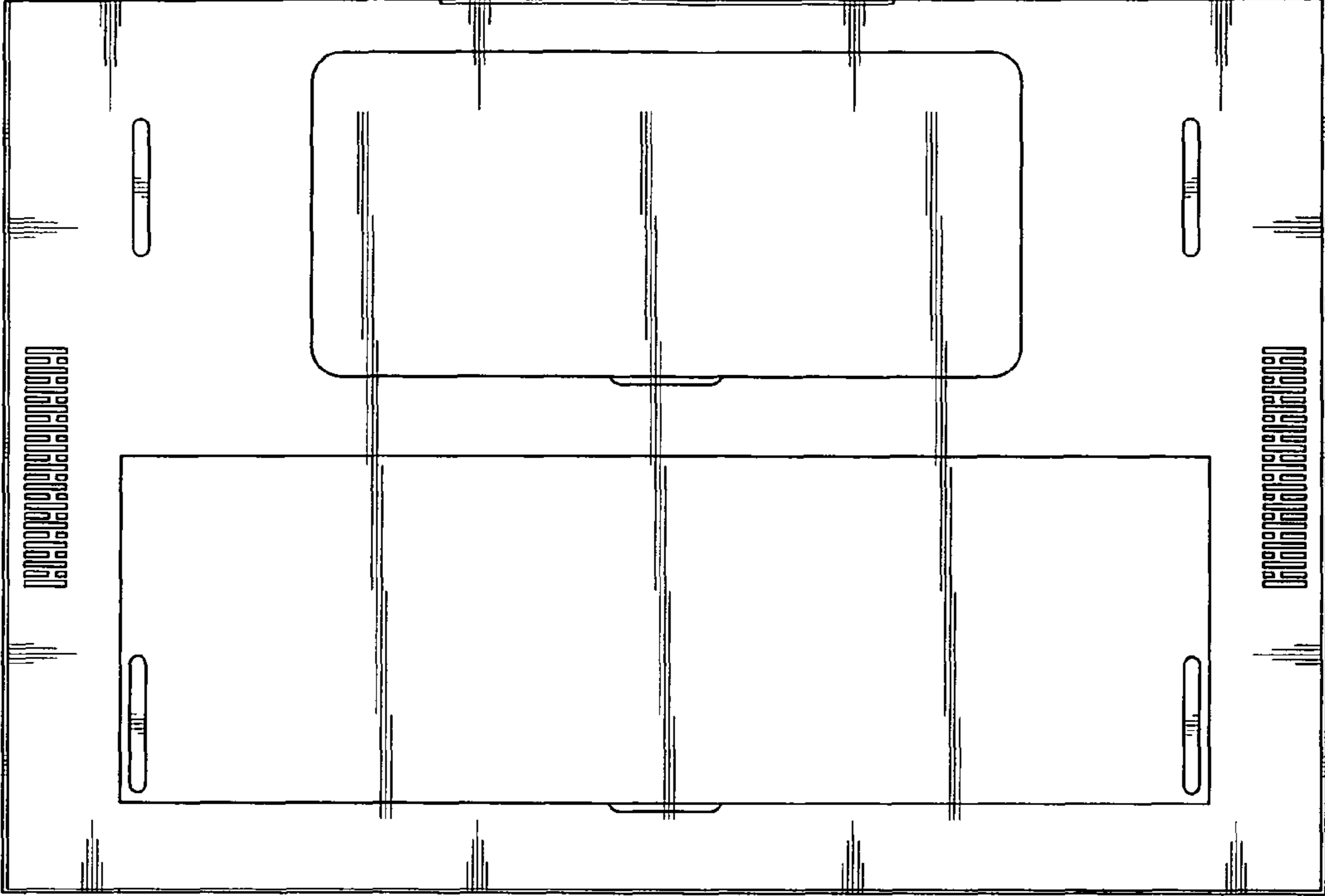


FIG. 7