



US00D627340S

(12) **United States Design Patent**  
**Lan et al.**

(10) **Patent No.:** **US D627,340 S**  
(45) **Date of Patent:** **\*\* Nov. 16, 2010**

(54) **HOLDER FOR A HANDHELD DEVICE**

(75) Inventors: **De-Zheng Lan**, Shanghai (CN);  
**Shih-Chin Tseng**, Taipei (TW)

(73) Assignee: **Inventec Appliances Corp.**, Taipei (TW)

(\*\*) Term: **14 Years**

(21) Appl. No.: **29/330,202**

(22) Filed: **Dec. 31, 2008**

(30) **Foreign Application Priority Data**

Dec. 1, 2008 (TW) ..... 97306819

(51) **LOC (9) Cl.** ..... **14-03**

(52) **U.S. Cl.** ..... **D14/253**

(58) **Field of Classification Search** ..... D14/140,  
D14/142, 147-148, 218, 224, 224.1, 229,  
D14/240, 250-253, 299, 434, 452, 454, 447,  
D14/138 R, 149, 256; D8/355, 363, 373,  
D8/380; D12/415, 425; 248/206.2-206.4,  
248/220.21, 279.1, 121, 131, 157; 379/426,  
379/446, 454, 455, 449; 224/571; D6/466,  
D6/467, 567; D13/107-108; 320/113; D3/201,  
D3/218

See application file for complete search history.

(56) **References Cited**

**U.S. PATENT DOCUMENTS**

D320,991 S \* 10/1991 Nagai et al. .... D14/251  
D323,504 S \* 1/1992 Langton ..... D14/142  
D327,070 S \* 6/1992 Watanabe ..... D14/251  
5,285,938 A \* 2/1994 Fauchald ..... 224/482  
D346,275 S \* 4/1994 Hayasaka et al. .... D3/218  
D351,280 S \* 10/1994 Pennington et al. .... D3/218  
D356,798 S \* 3/1995 Rudkiewicz et al. .... D14/253  
D361,335 S \* 8/1995 Rudkiewicz et al. .... D14/253  
D361,462 S \* 8/1995 Newham ..... D6/567  
D364,524 S \* 11/1995 Bassler et al. .... D6/567  
D365,567 S \* 12/1995 Cantrell ..... D14/253  
D366,237 S \* 1/1996 Yang ..... D13/108  
D367,065 S \* 2/1996 Wu ..... D14/253

D392,646 S \* 3/1998 Takayasu et al. .... D14/253  
D396,160 S \* 7/1998 Huang ..... D6/567  
D422,828 S \* 4/2000 Kanfer et al. .... D6/567  
D438,536 S \* 3/2001 Willison et al. .... D14/253  
6,534,953 B2 \* 3/2003 Shirakawa ..... 320/114  
D515,062 S \* 2/2006 Winebrenner et al. .... D14/149  
D529,489 S \* 10/2006 Sbordon, Jr. .... D14/253  
D541,741 S \* 5/2007 Yosef et al. .... D13/110  
D571,775 S \* 6/2008 Waterman et al. .... D14/148

(Continued)

**FOREIGN PATENT DOCUMENTS**

WO DM/055660 \* 2/2001

**OTHER PUBLICATIONS**

Inventec FW02, <URL:http://www.inventec-inc.com/web2/gsm\_.  
jsp?type=9&productID=10027>, retrieved from internet May 19,  
2010.\*

(Continued)

*Primary Examiner*—Robert M Spear  
*Assistant Examiner*—Carla Jobe Wright  
(74) *Attorney, Agent, or Firm*—Jianq Chyun IP Office

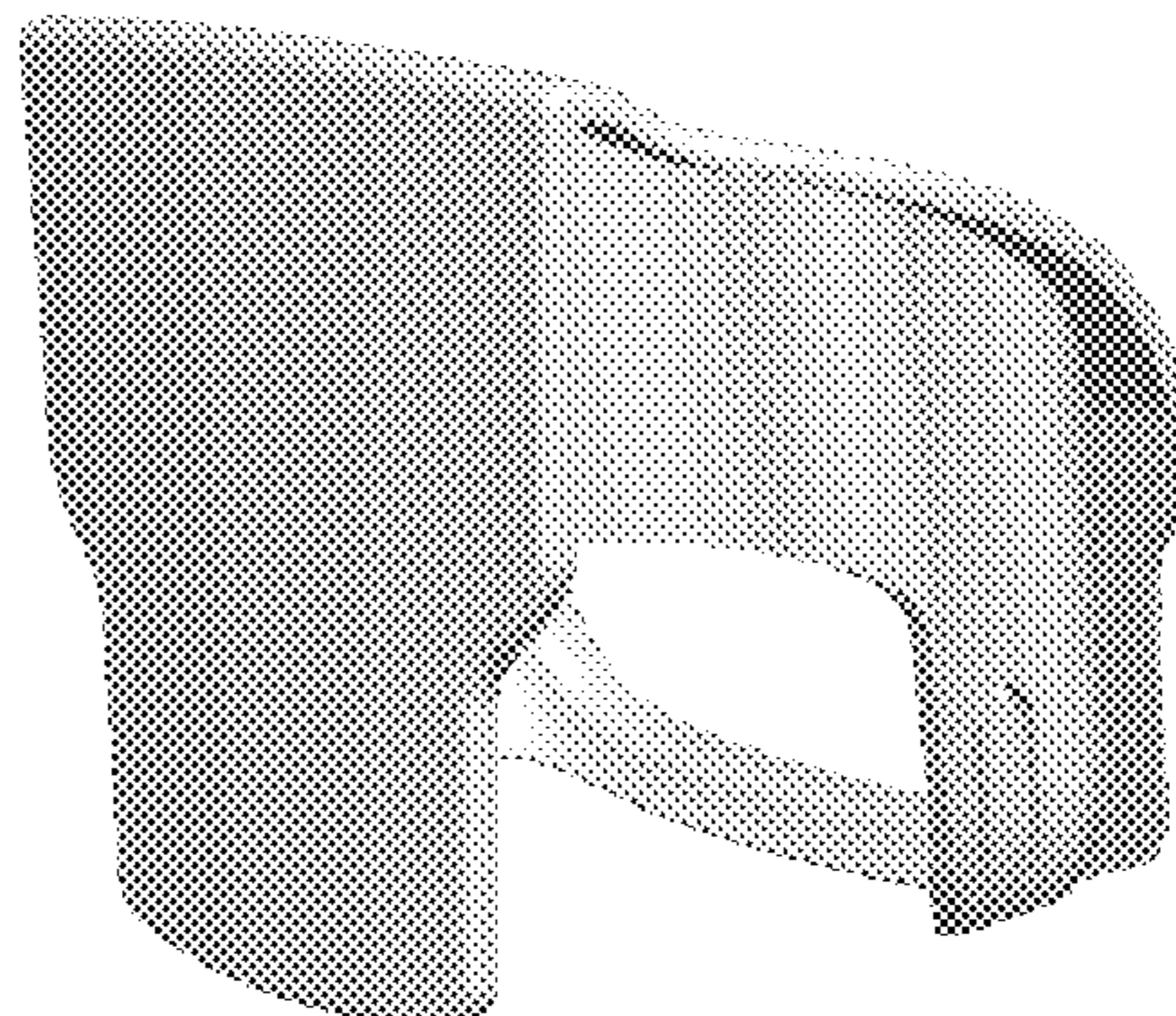
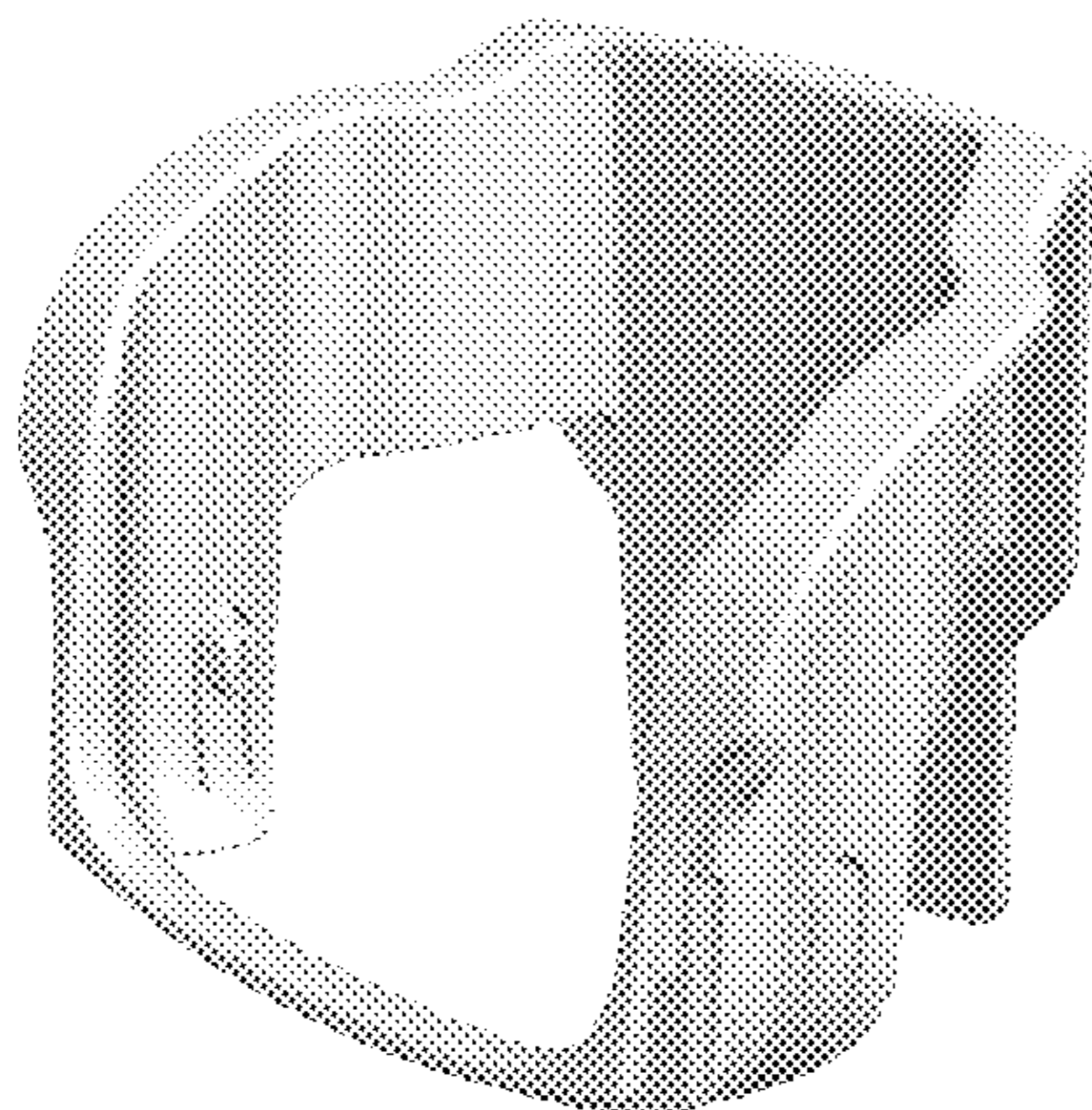
(57) **CLAIM**

The ornamental design for a holder for a handheld device, as shown and described.

**DESCRIPTION**

FIG. 1 is a front perspective view of a holder for a handheld device showing the new design;  
FIG. 2 is a front view thereof;  
FIG. 3 is a rear view thereof;  
FIG. 4 is a left side view thereof;  
FIG. 5 is a right side view thereof;  
FIG. 6 is a bottom view thereof;  
FIG. 7 is a top view thereof; and,  
FIG. 8 is a rear perspective view thereof.

**1 Claim, 5 Drawing Sheets**



# US D627,340 S

Page 2

---

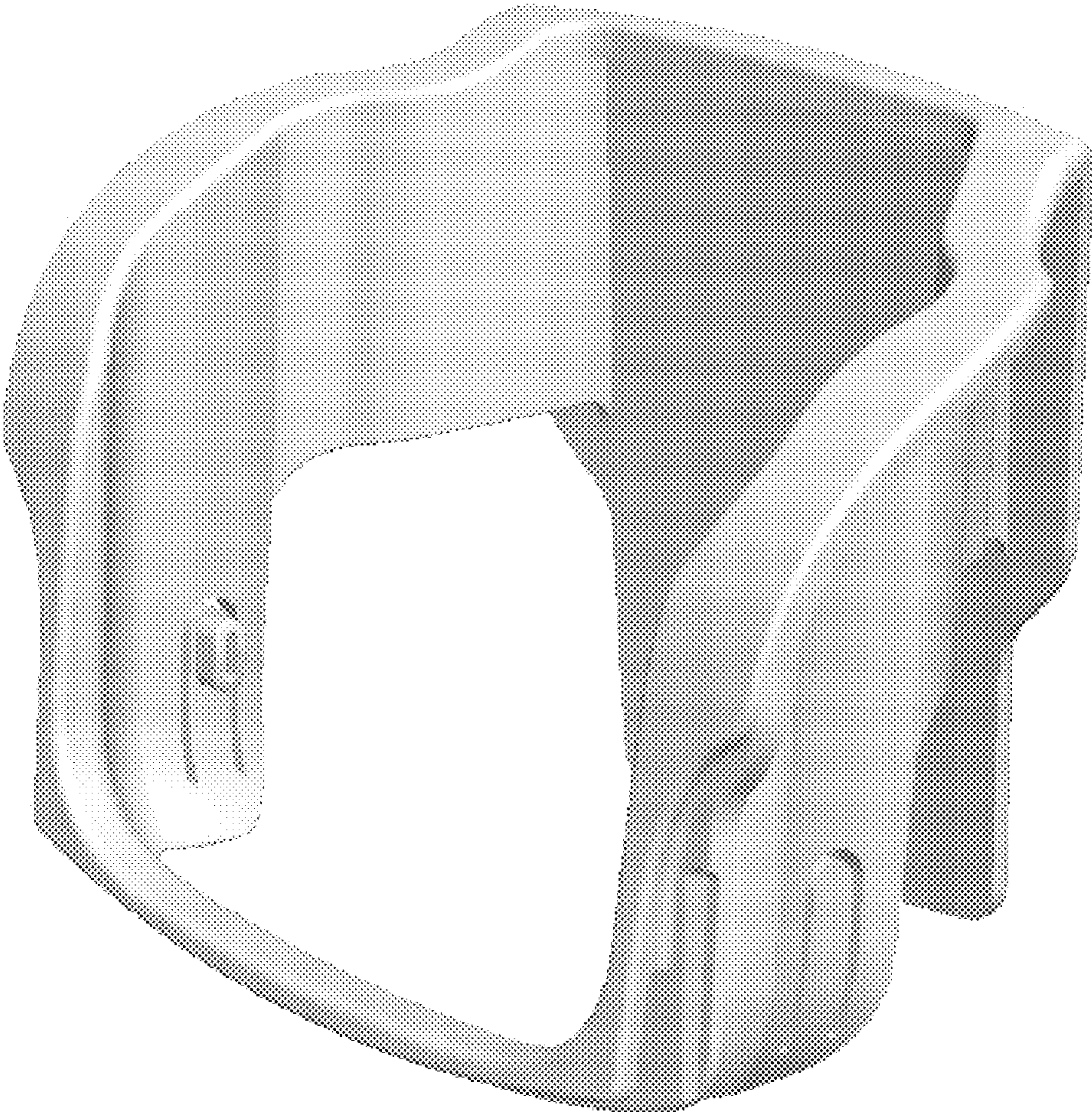
## U.S. PATENT DOCUMENTS

D588,985 S \* 3/2009 O'Hern ..... D13/107  
D600,679 S \* 9/2009 Upham et al. .... D14/217  
D601,258 S \* 9/2009 Bell et al. .... D24/169  
D615,958 S \* 5/2010 Tkachuk et al. .... D14/148

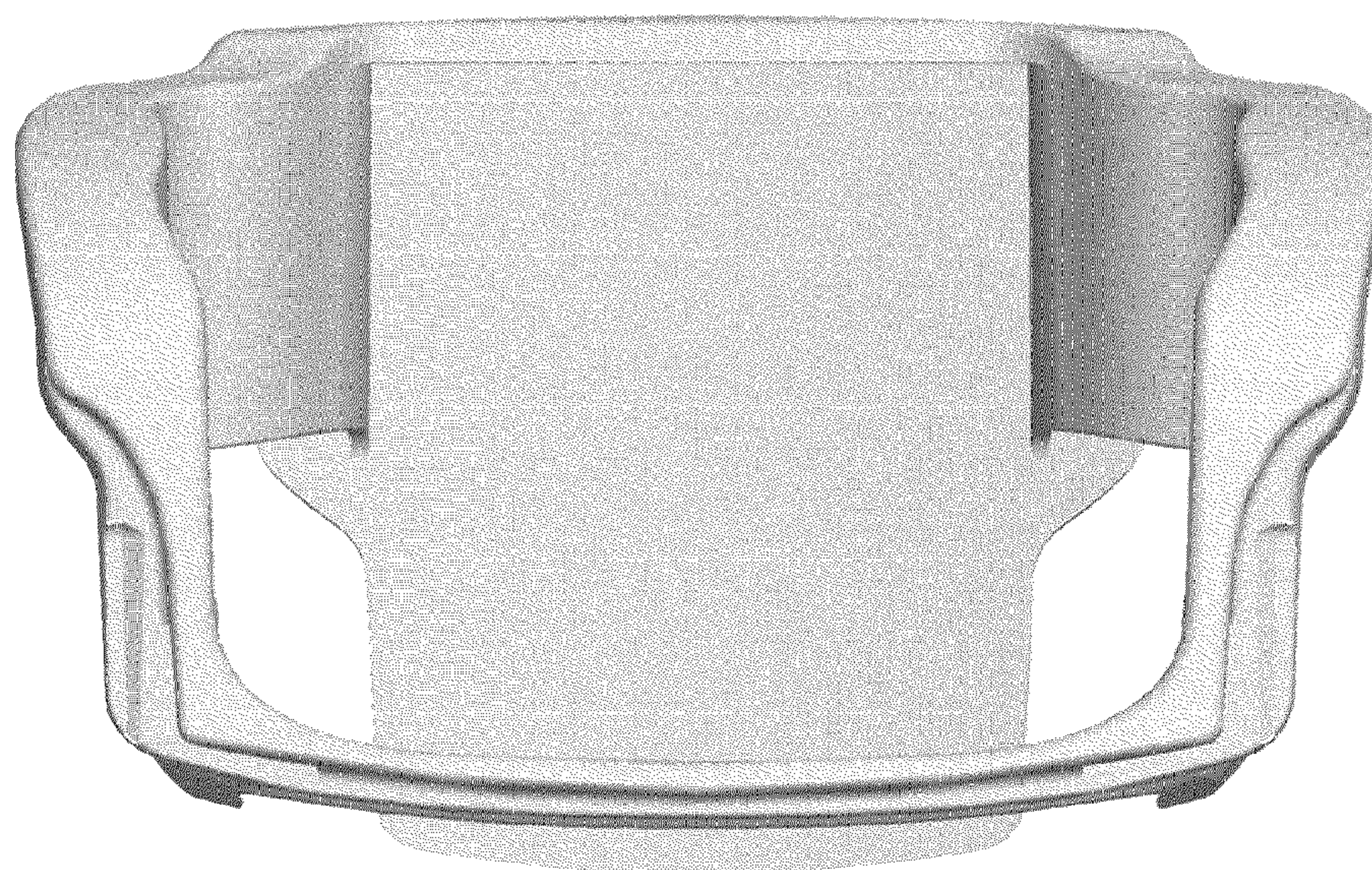
## OTHER PUBLICATIONS

Inventec FW07, <URL:[http://www.inventec-inc.com/web2/gsm\\_.jsp?type=9&productID=10030](http://www.inventec-inc.com/web2/gsm_.jsp?type=9&productID=10030)>, retrieved from internet May 19, 2010.\*

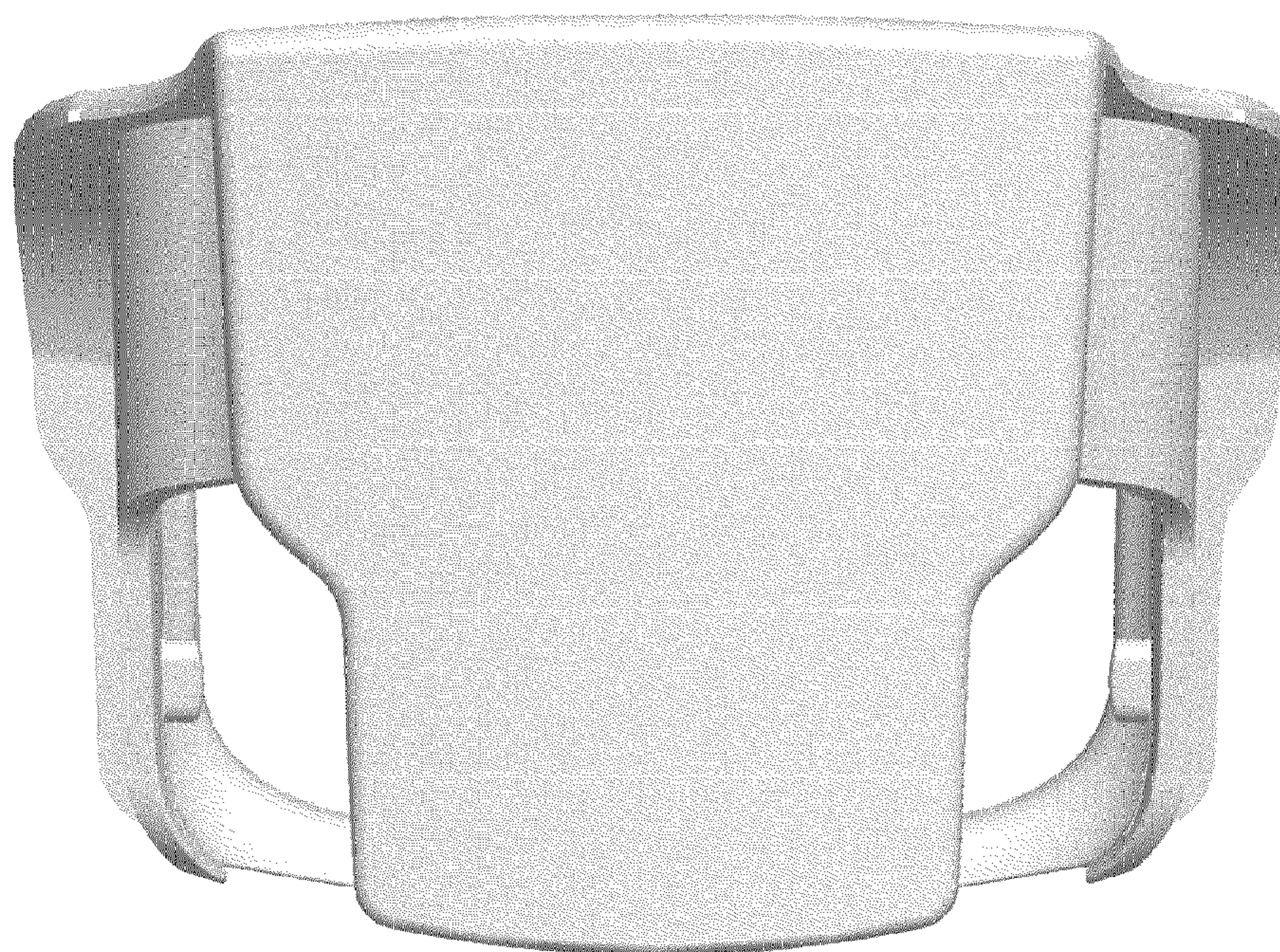
\* cited by examiner



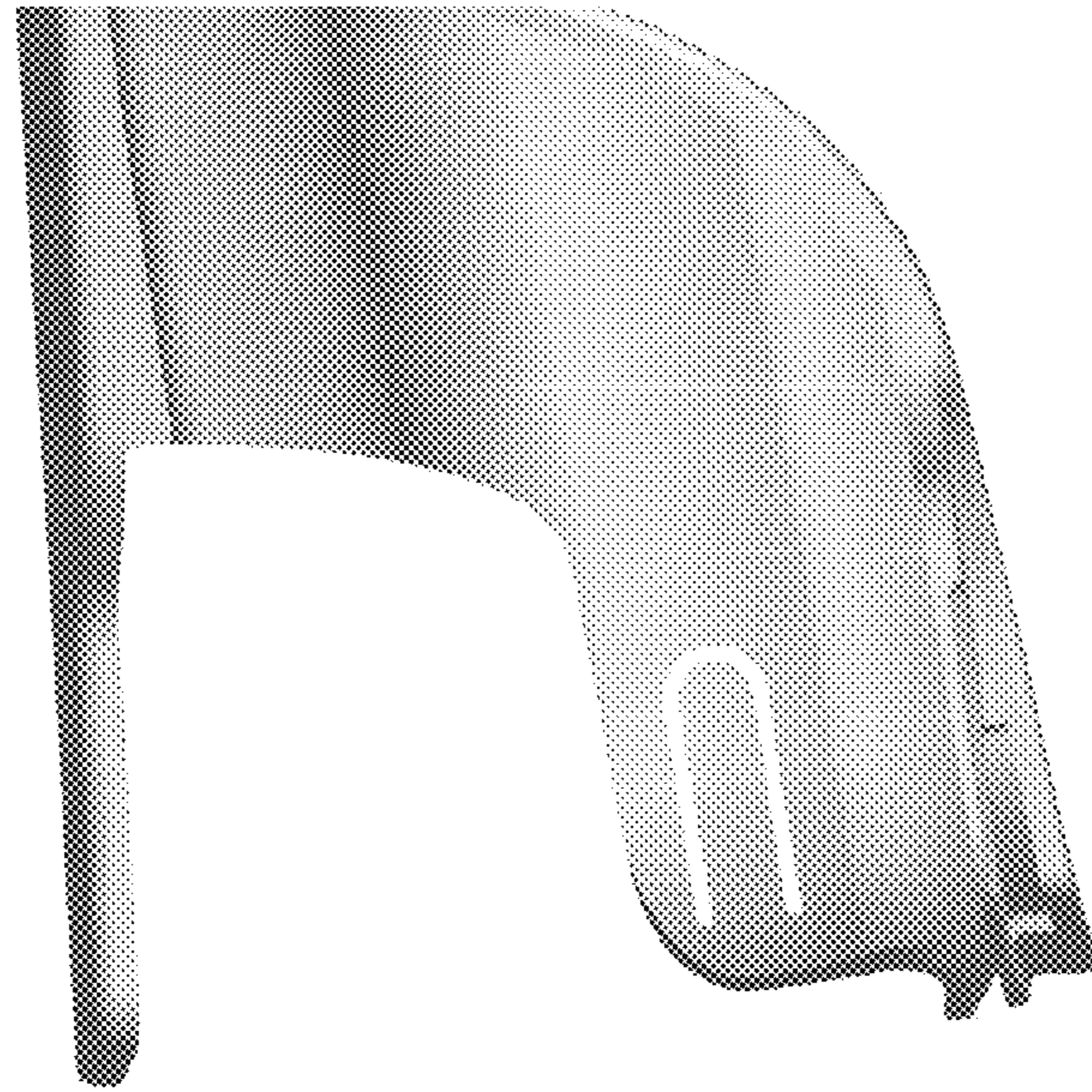
**FIG. 1**



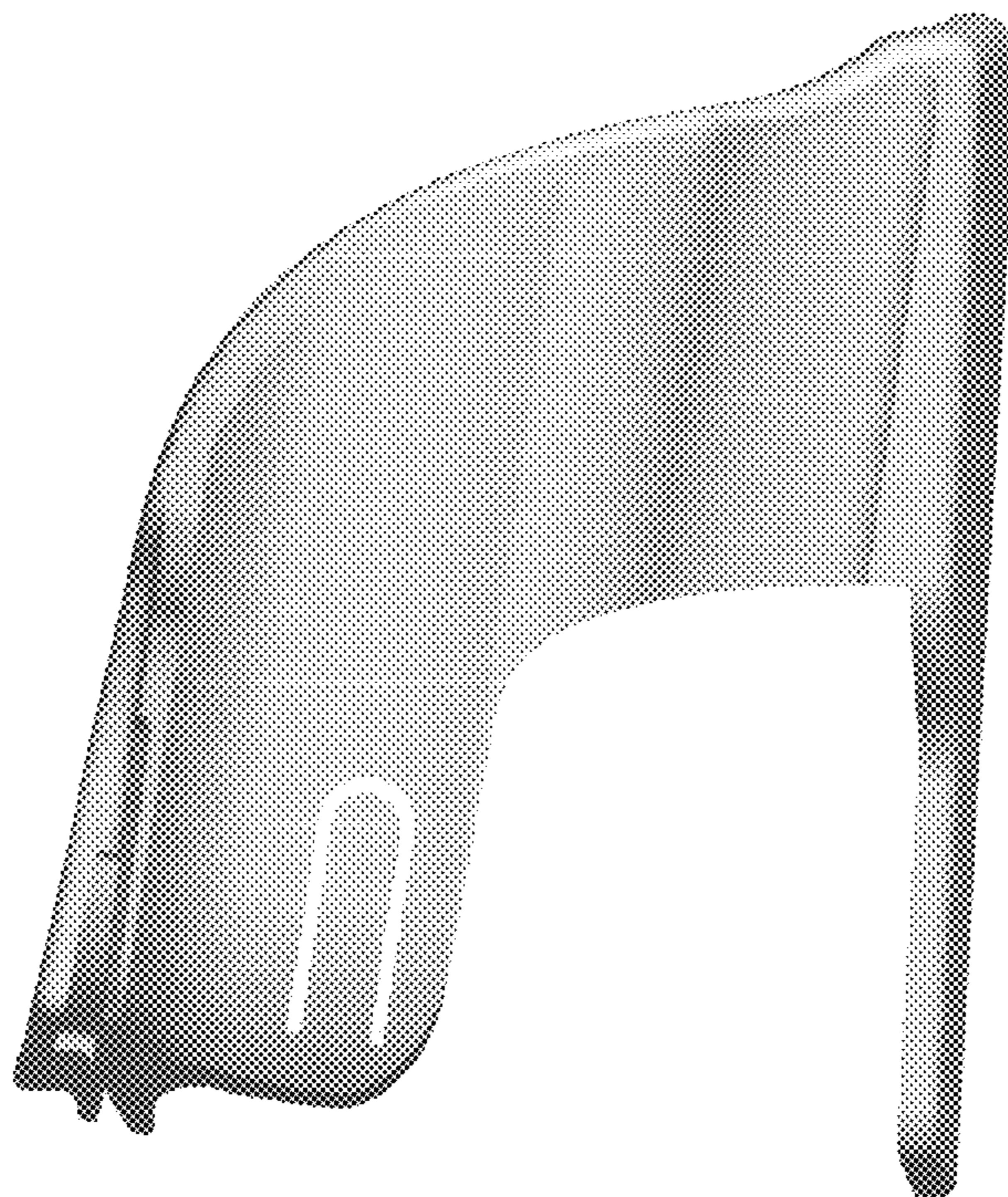
**FIG. 2**



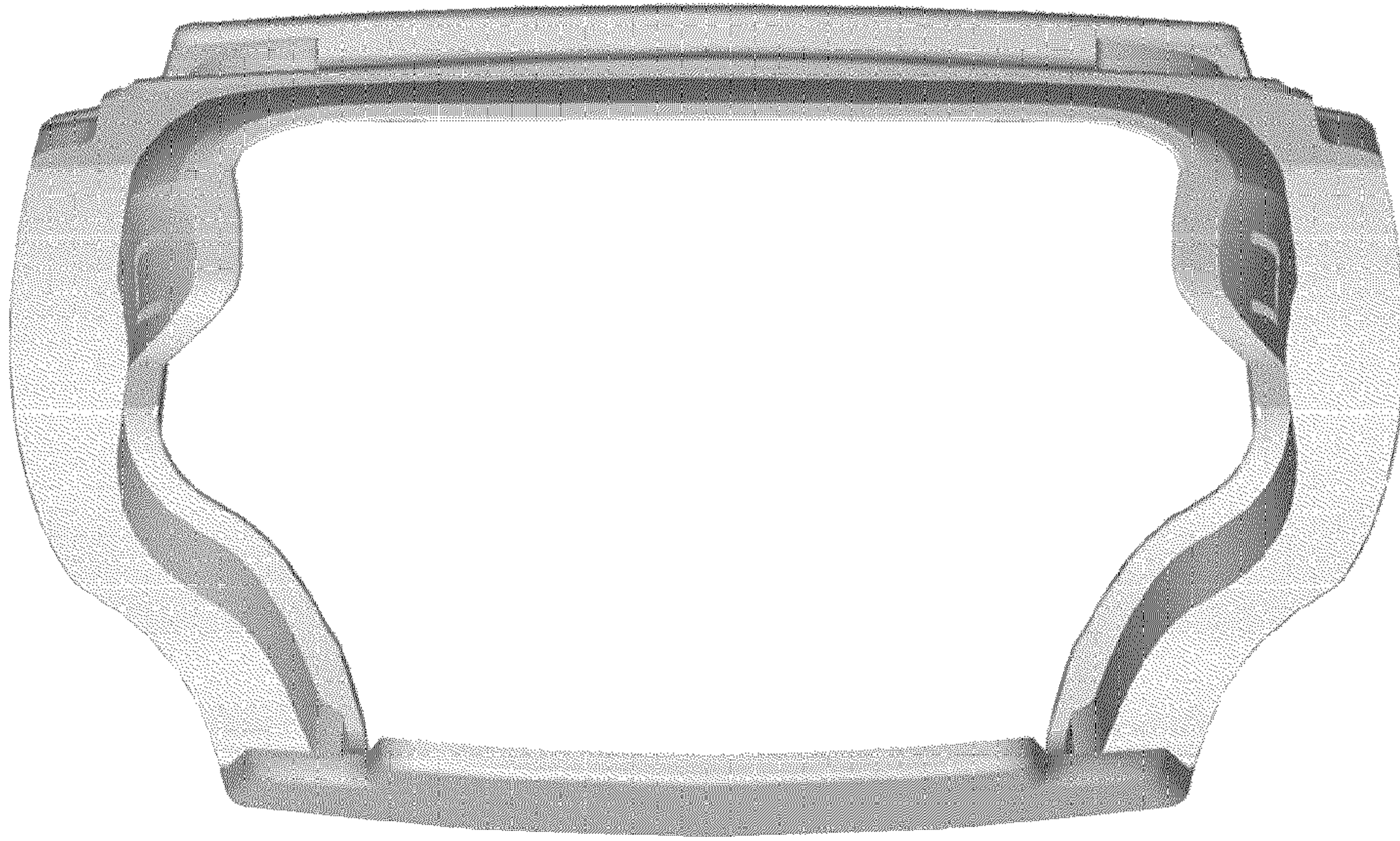
**FIG. 3**



**FIG. 4**



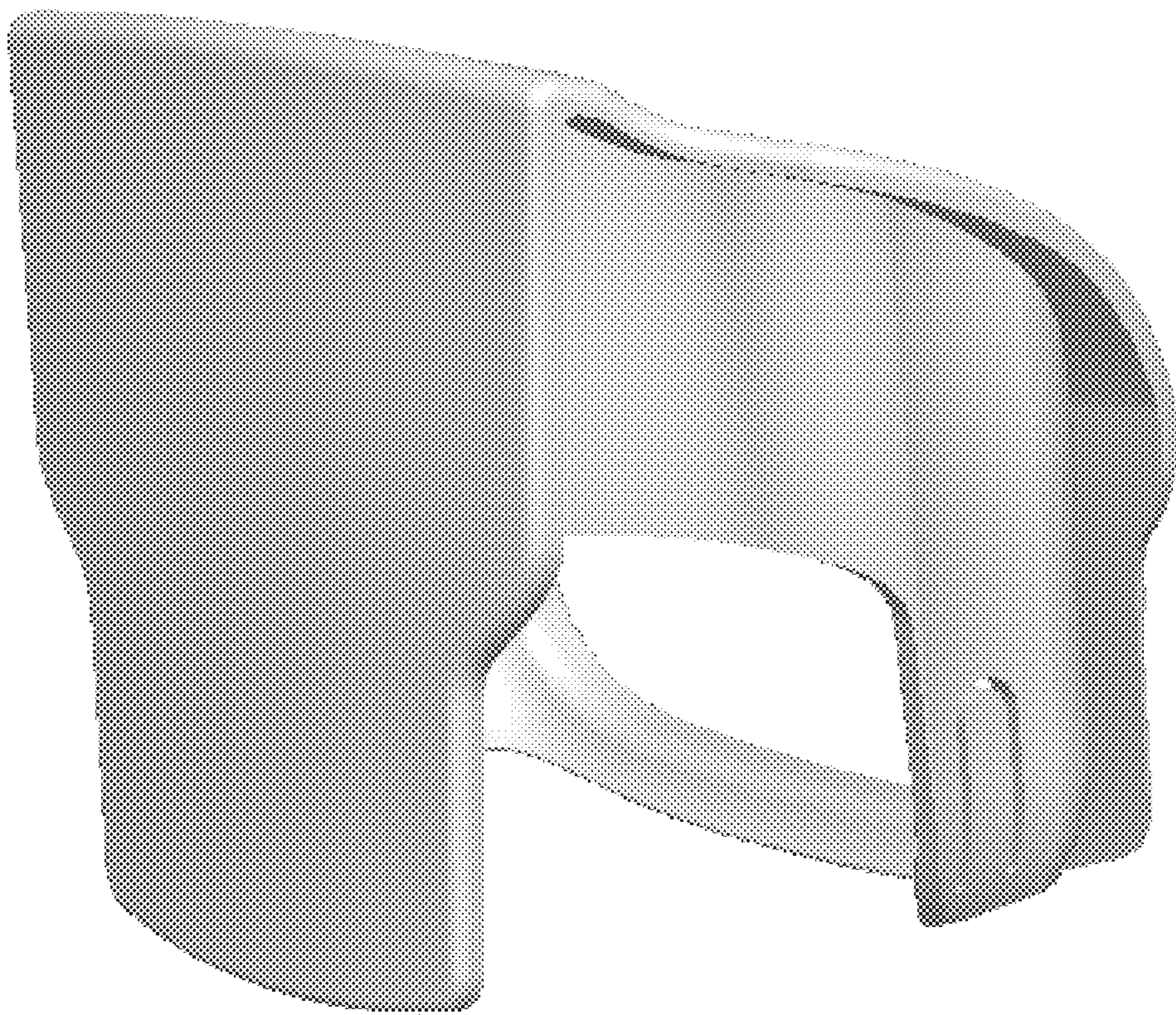
**FIG. 5**



**FIG. 6**



**FIG. 7**



**FIG. 8**