



US00D627337S

(12) **United States Design Patent**  
**Wu et al.**

(10) **Patent No.:** **US D627,337 S**

(45) **Date of Patent:** **\*\* Nov. 16, 2010**

(54) **WIRELESS EARPHONE**

(75) Inventors: **Kun-Tsan Wu**, Taipei Hsien (TW);  
**Li-Wen Tien**, Taipei Hsien (TW)

(73) Assignee: **FIH (Hong Kong) Limited**, Kowloon  
(HK)

(\*\*) Term: **14 Years**

(21) Appl. No.: **29/353,516**

(22) Filed: **Jan. 11, 2010**

(30) **Foreign Application Priority Data**

Dec. 23, 2009 (CN) ..... 2009 3 0330566

(51) **LOC (9) Cl.** ..... **14-01**

(52) **U.S. Cl.** ..... **D14/223**

(58) **Field of Classification Search** ..... D14/205,  
D14/206, 223, 192; 181/129, 130, 135, 158;  
381/380, 381, 360, 375, 385, 322; 379/430,  
379/431; 455/90.3, 575.1, 575.2

See application file for complete search history.

(56) **References Cited**

**U.S. PATENT DOCUMENTS**

671,138	A *	4/1901	Knudson et al.	.....	181/130
1,852,130	A *	4/1932	Schier	.....	381/380
D102,655	S *	1/1937	Nicholides	.....	D24/174
D105,261	S *	7/1937	Breen	.....	D24/174
2,971,065	A *	2/1961	Busse	.....	381/321
D232,863	S *	9/1974	Tong	.....	D14/192
D287,289	S *	12/1986	Kato et al.	.....	D26/28
D287,764	S *	1/1987	Topholm	.....	D24/174

D287,765	S *	1/1987	Topholm	.....	D24/174
5,812,680	A *	9/1998	Glendon	.....	381/322
D481,709	S *	11/2003	Solderits	.....	D14/228
D505,411	S *	5/2005	Sakai	.....	D14/192
7,356,362	B2 *	4/2008	Chang et al.	.....	455/575.2
D568,290	S *	5/2008	Wikel	.....	D14/205
D579,006	S *	10/2008	Kim et al.	.....	D14/223
D588,111	S *	3/2009	Komiyama	.....	D14/223
D598,802	S *	8/2009	Bulgari	.....	D11/35
D603,380	S *	11/2009	Hutchieson	.....	D14/223

\* cited by examiner

*Primary Examiner*—Paula Greene

(74) *Attorney, Agent, or Firm*—Steven M. Reiss

(57) **CLAIM**

The ornamental design for a wireless earphone, as shown and described.

**DESCRIPTION**

FIG. 1 is a perspective view of a wireless earphone showing our new design;

FIG. 2 is a front elevational view thereof;

FIG. 3 is a rear elevational view thereof;

FIG. 4 is a left side elevational view thereof;

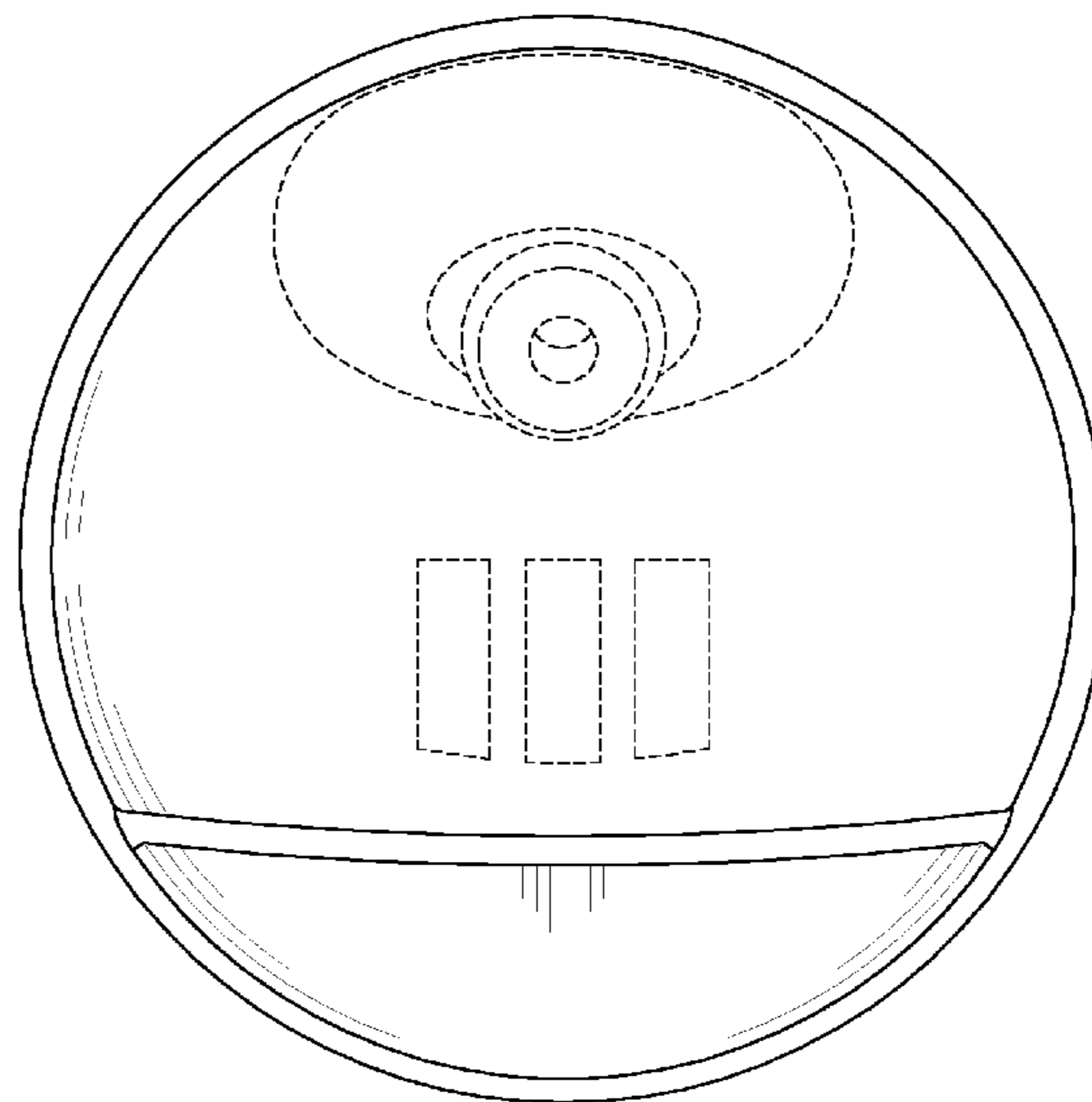
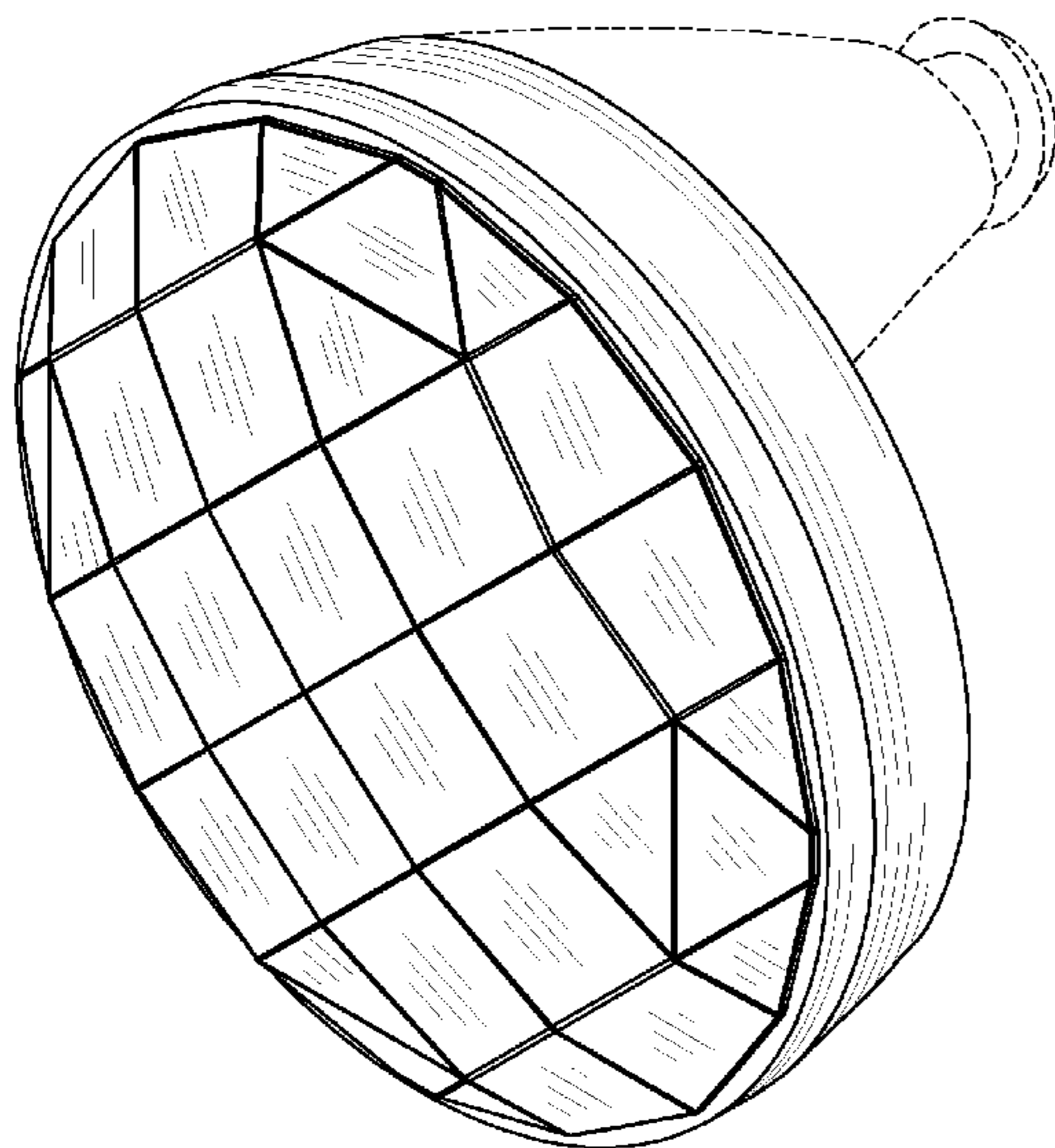
FIG. 5 is a right side elevational view thereof;

FIG. 6 is a top plan view thereof; and,

FIG. 7 is a bottom plan view thereof.

The broken lines are for illustrative purposes only and form no part of the claimed design.

**1 Claim, 7 Drawing Sheets**



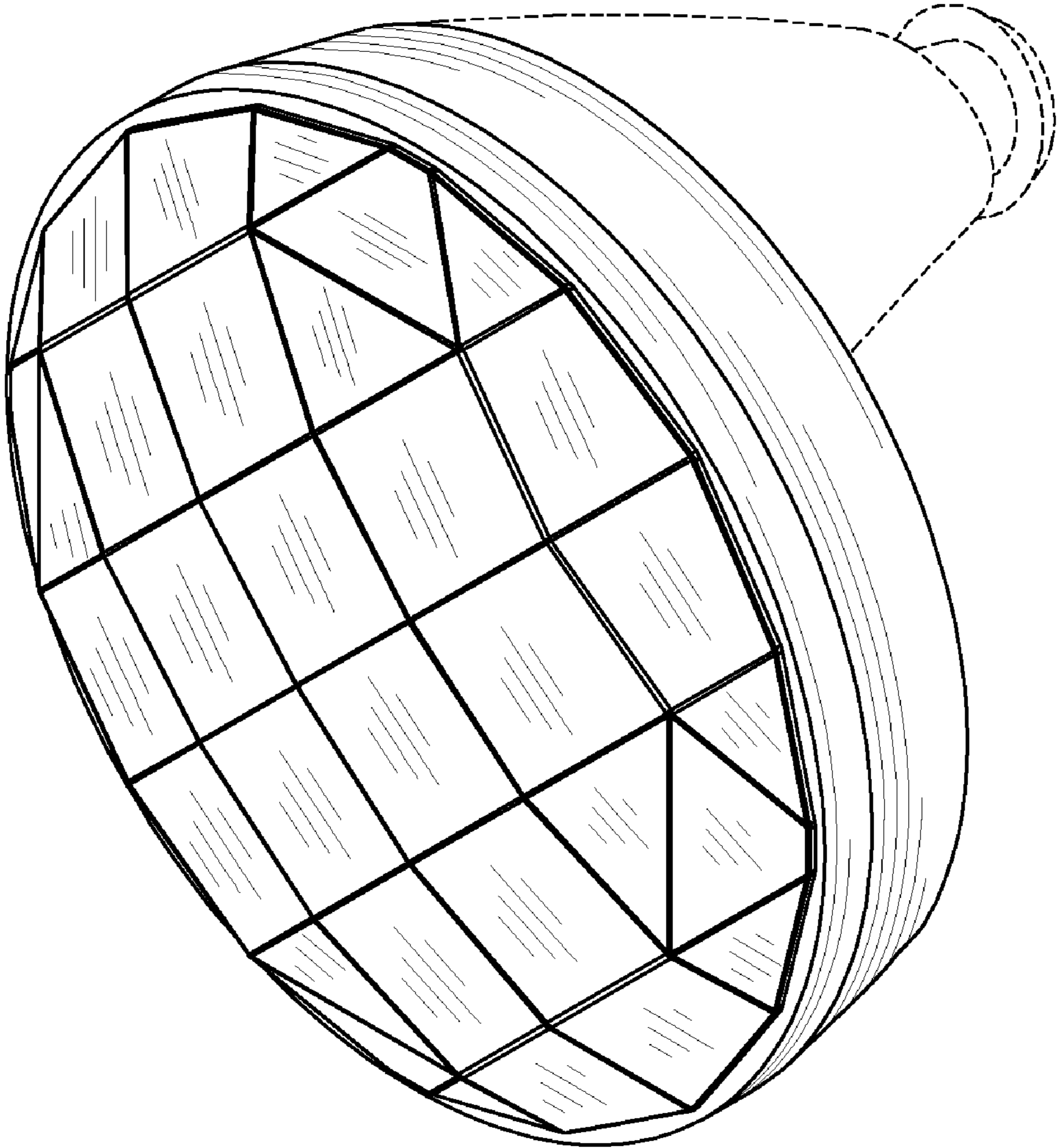


FIG. 1

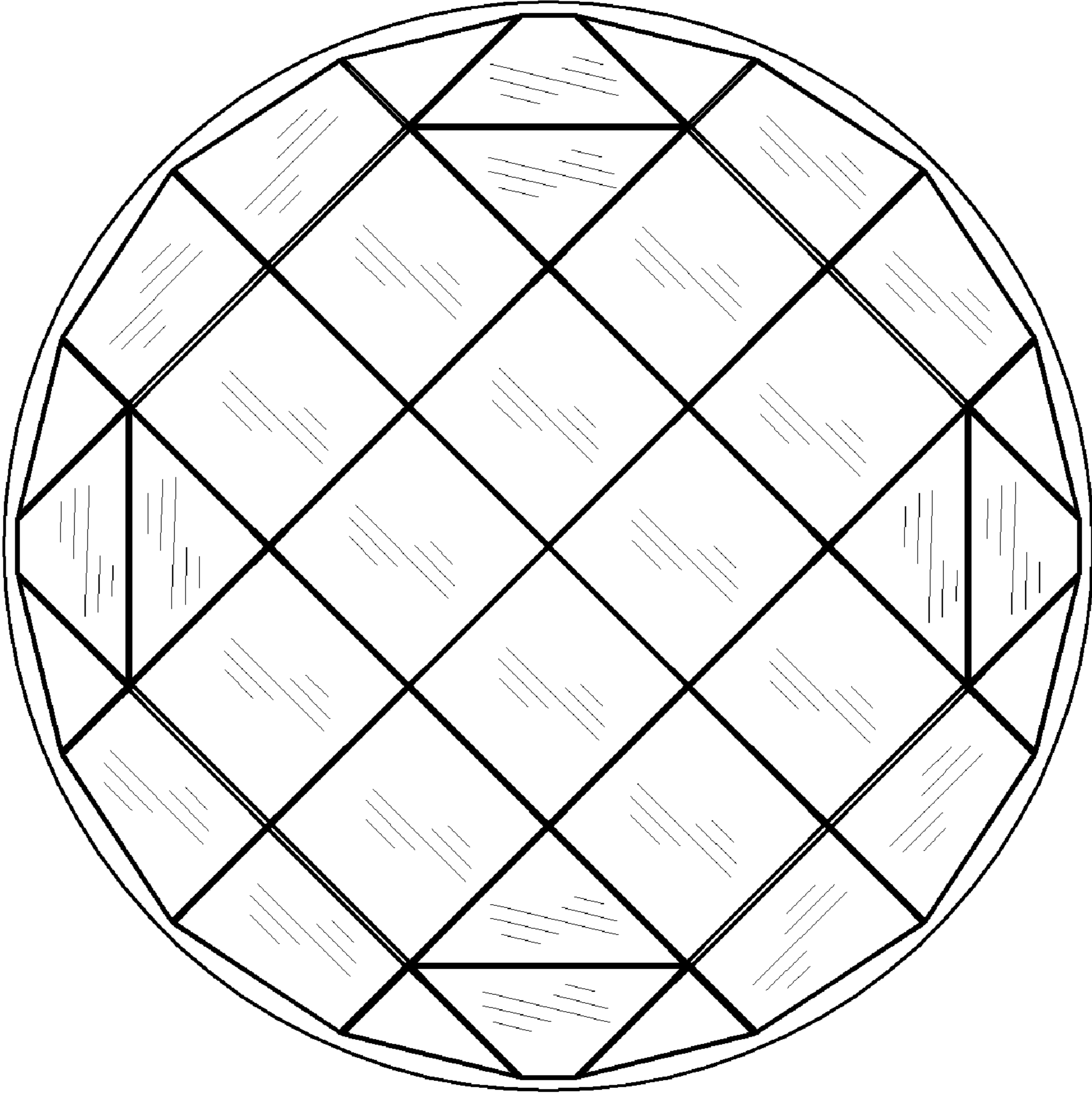


FIG. 2

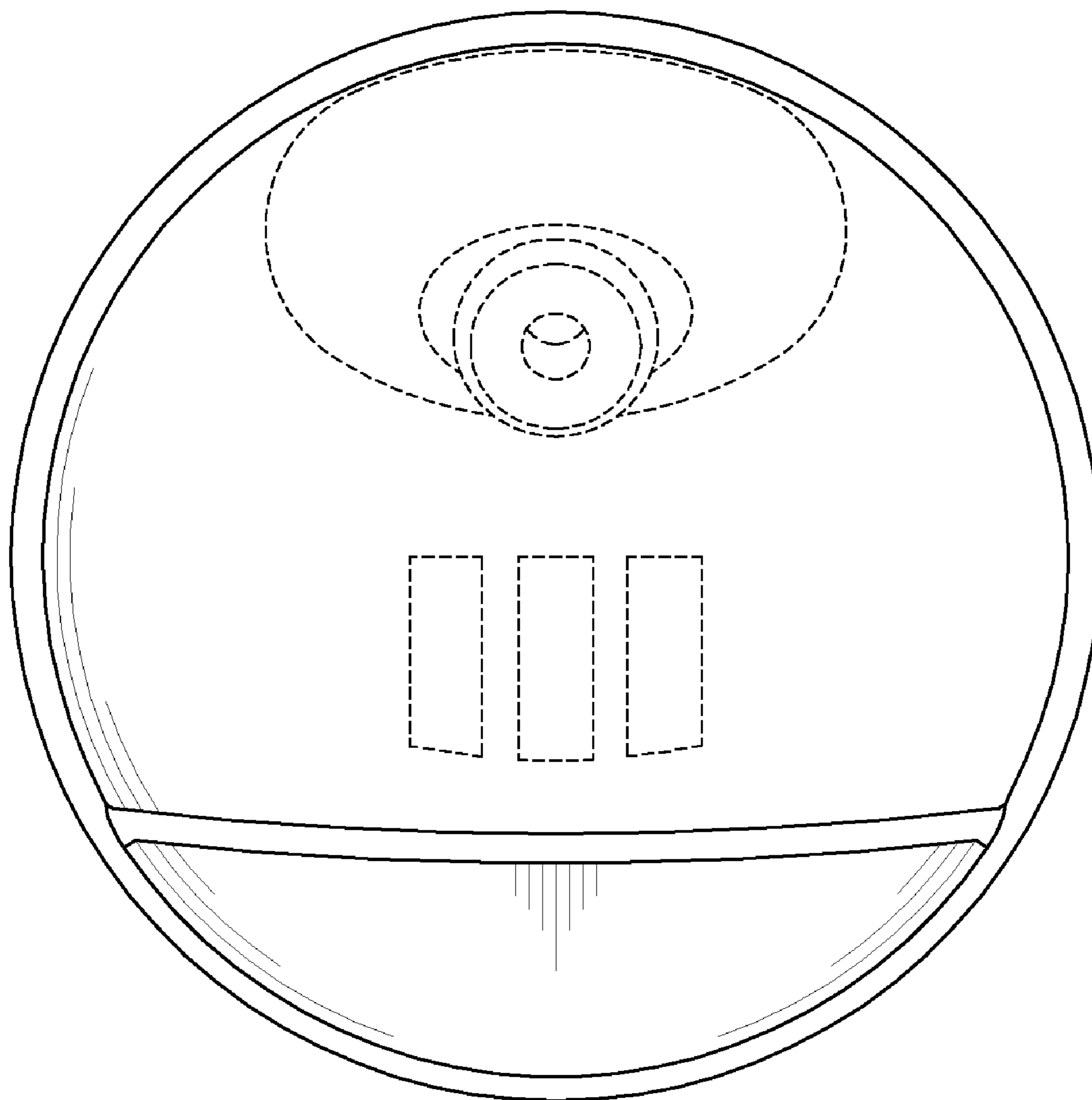


FIG. 3

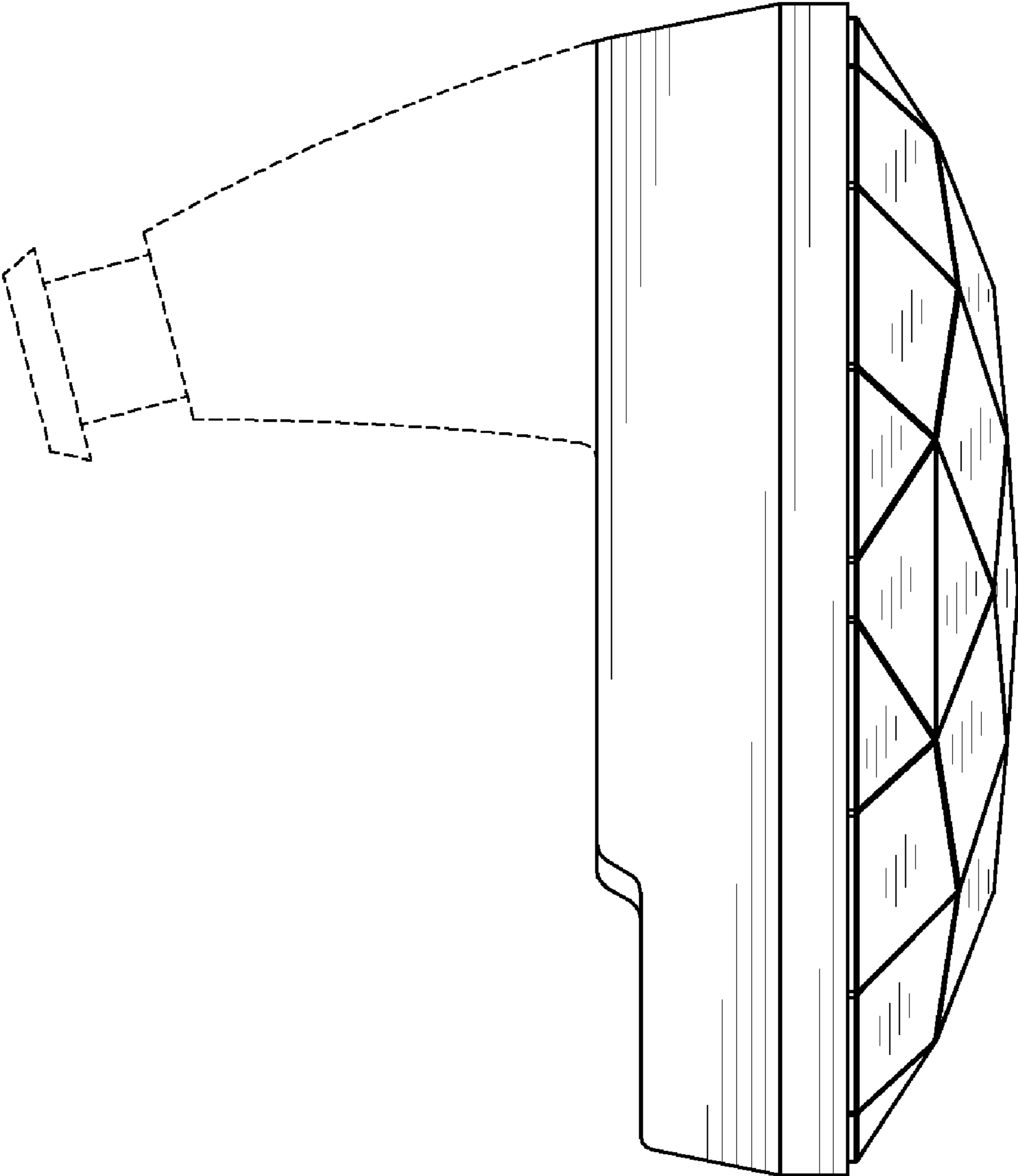


FIG. 4

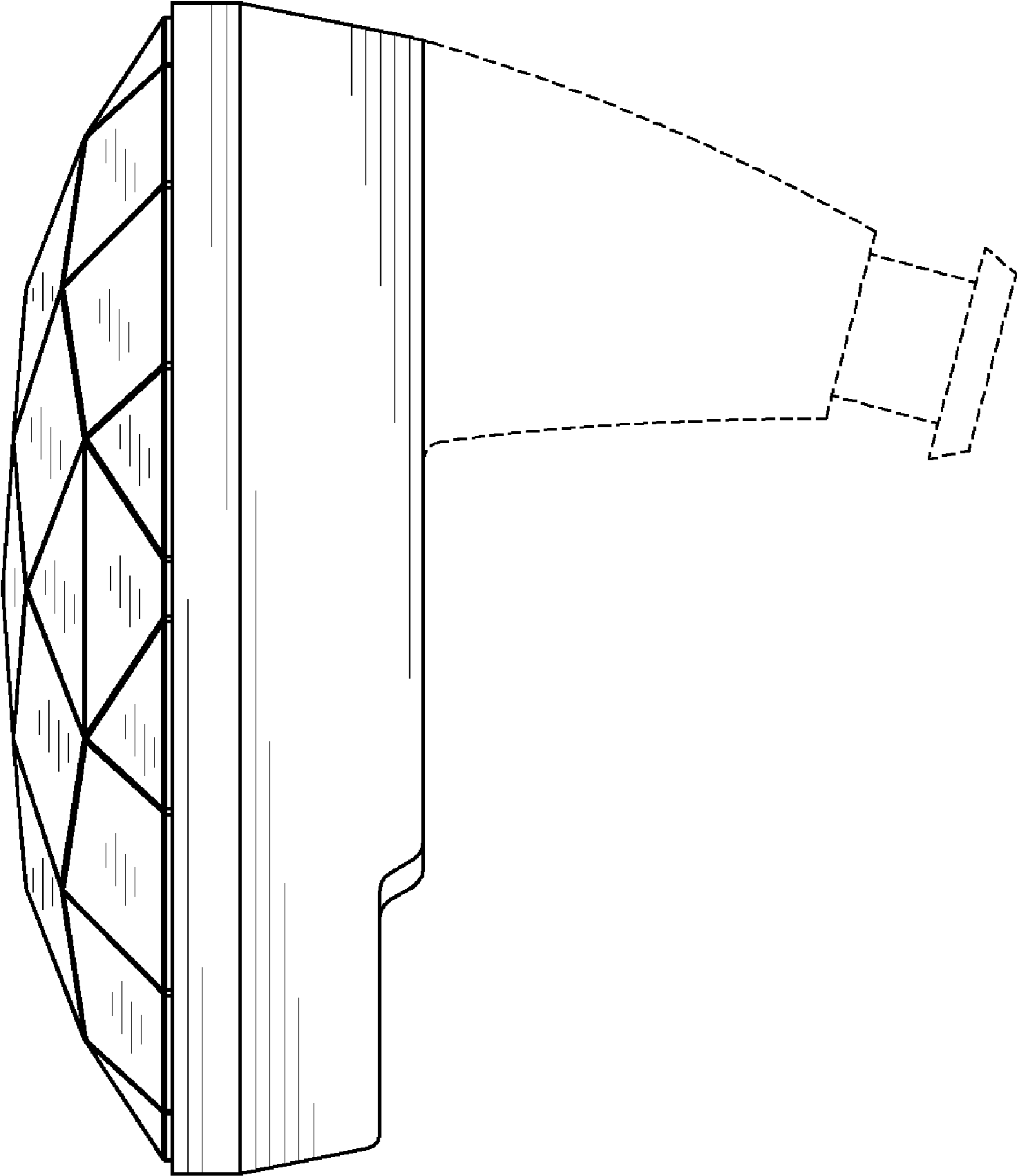


FIG. 5

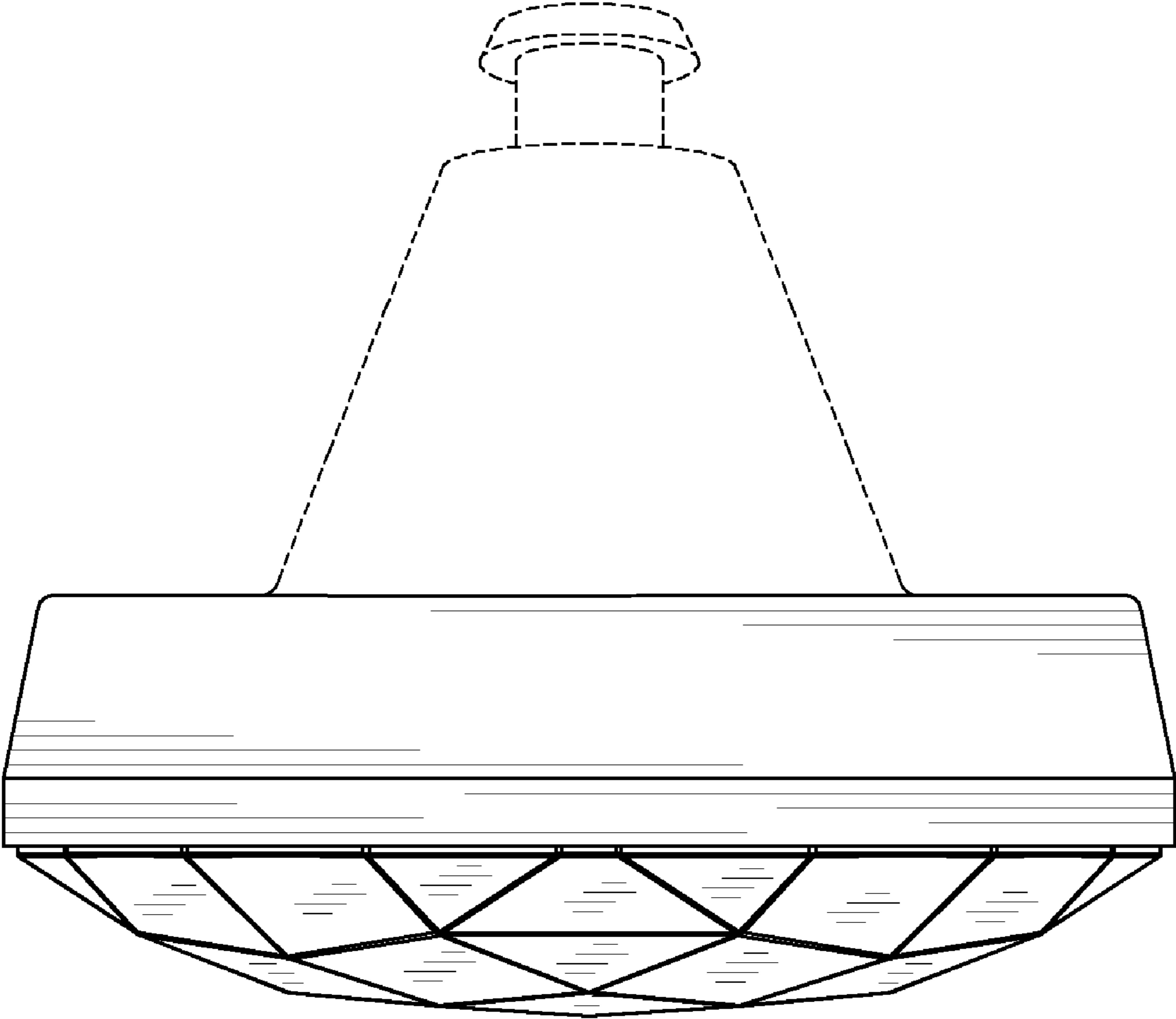


FIG. 6

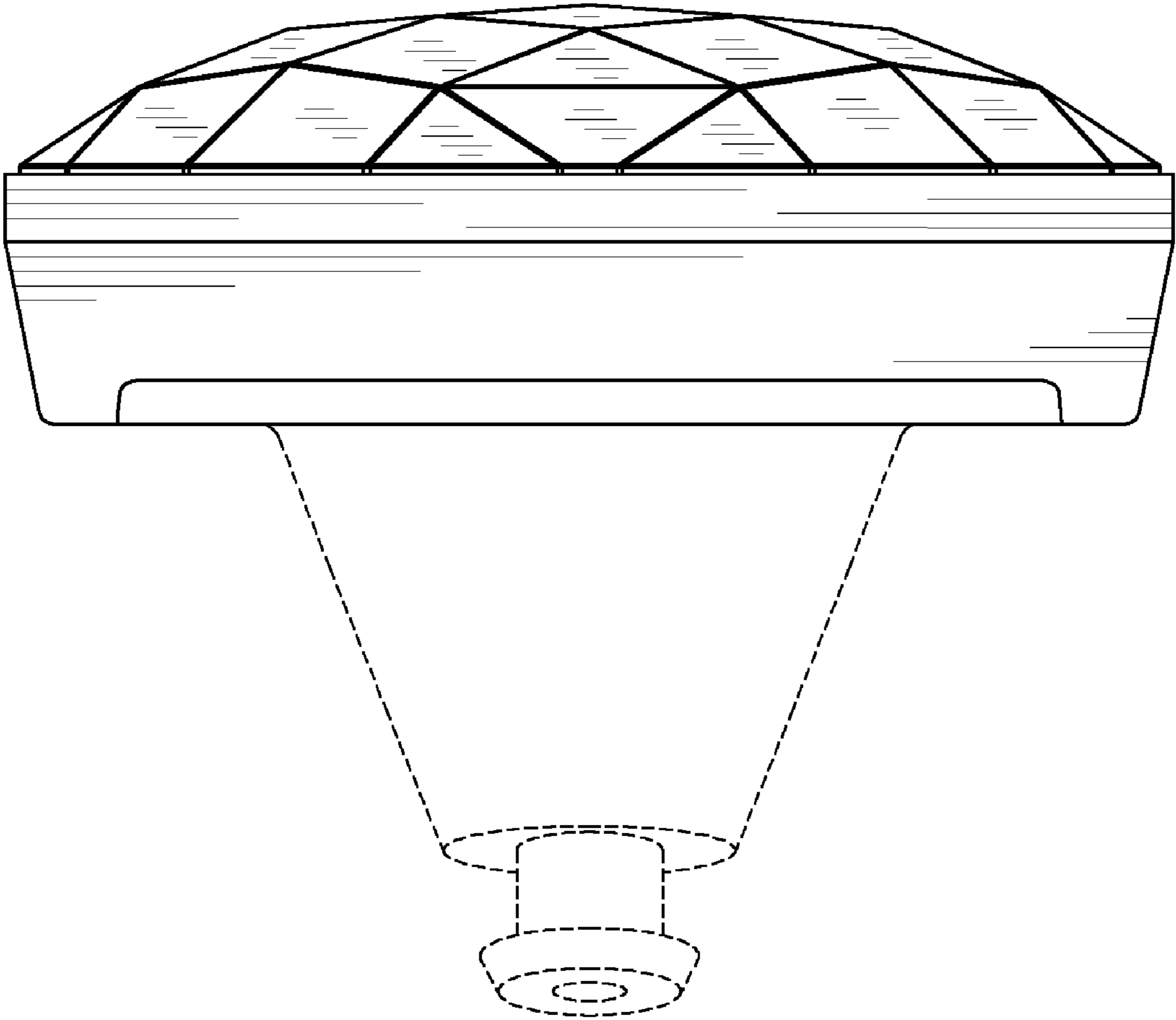


FIG. 7