



US00D627335S

(12) **United States Design Patent**
Hou

(10) **Patent No.:** **US D627,335 S**

(45) **Date of Patent:** **** Nov. 16, 2010**

(54) **BLUETOOTH HEADSET**

(75) Inventor: **Hsiang-Fei Hou**, Tu-Cheng (TW)

(73) Assignee: **Cheng Uei Precision Industry Co., Ltd.**, Tu-Cheng, Taipei Hsien (TW)

(**) Term: **14 Years**

(21) Appl. No.: **29/350,698**

(22) Filed: **Nov. 20, 2009**

(51) **LOC (9) Cl.** **14-01**

(52) **U.S. Cl.** **D14/223**

(58) **Field of Classification Search** D14/205,
D14/206, 223, 142, 192, 188, 240, 341, 357;
379/430; 181/129, 130, 135; 381/380, 381;
455/90.3, 569.1, 575.2; D28/91; D11/7
See application file for complete search history.

(56) **References Cited**

U.S. PATENT DOCUMENTS

D427,994 S *	7/2000	Pirelli	D14/223
D471,889 S *	3/2003	Rath et al.	D14/205
D479,834 S *	9/2003	Salazar et al.	D14/205
D504,884 S *	5/2005	Hering	D14/206
D550,215 S *	9/2007	Udagawa et al.	D14/223
D550,658 S *	9/2007	Wang	D14/223
D552,596 S *	10/2007	Christopher	D14/205

D561,743 S *	2/2008	Huang et al.	D14/223
D562,309 S *	2/2008	Choi et al.	D14/223
D566,103 S *	4/2008	Sade et al.	D14/223
D581,396 S *	11/2008	Wikel et al.	D14/206

* cited by examiner

Primary Examiner—Paula Greene

(74) *Attorney, Agent, or Firm*—Cheng-Ju Chiang

(57) **CLAIM**

The ornamental design for a bluetooth headset, as shown and described.

DESCRIPTION

FIG. 1 is a perspective view of a bluetooth headset showing my new design;

FIG. 2 is a front elevational view thereof;

FIG. 3 is a rear elevational view thereof;

FIG. 4 is a left side elevational view thereof;

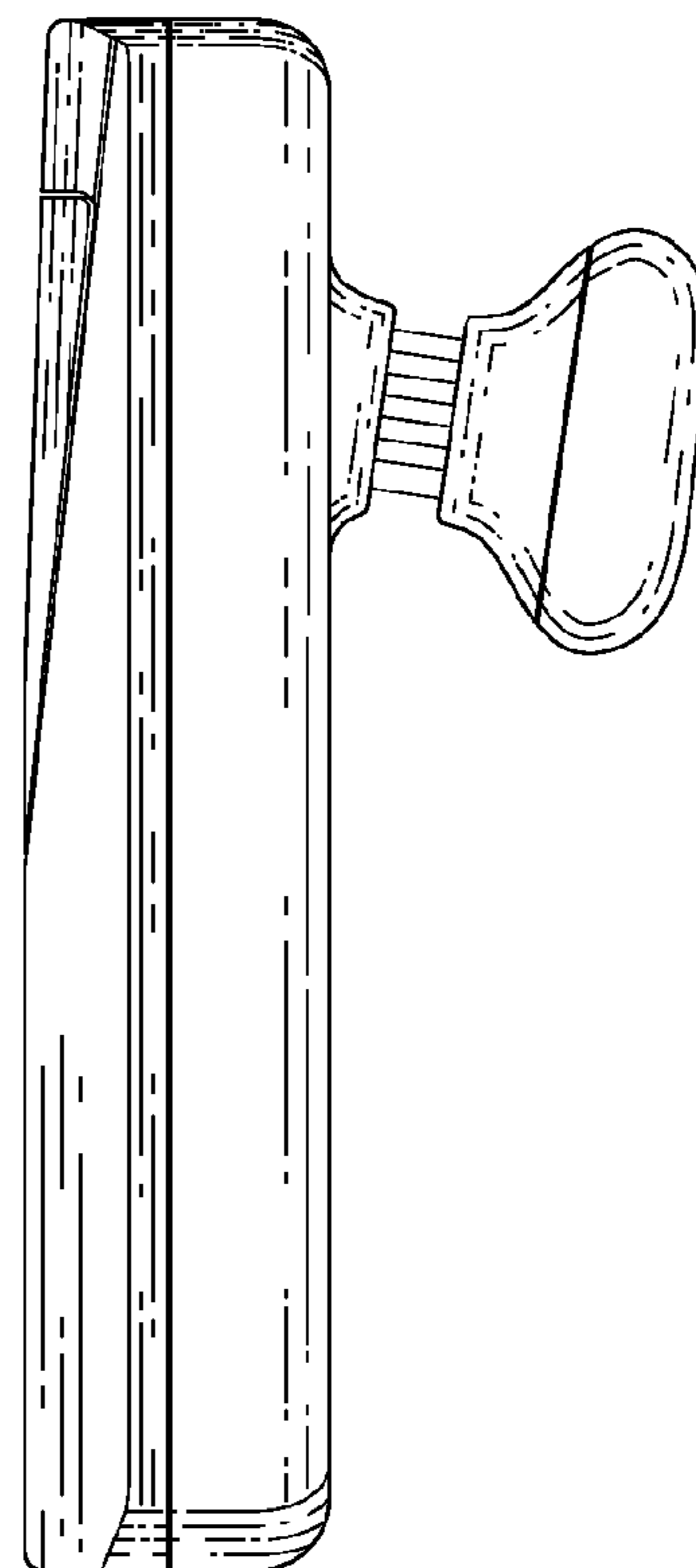
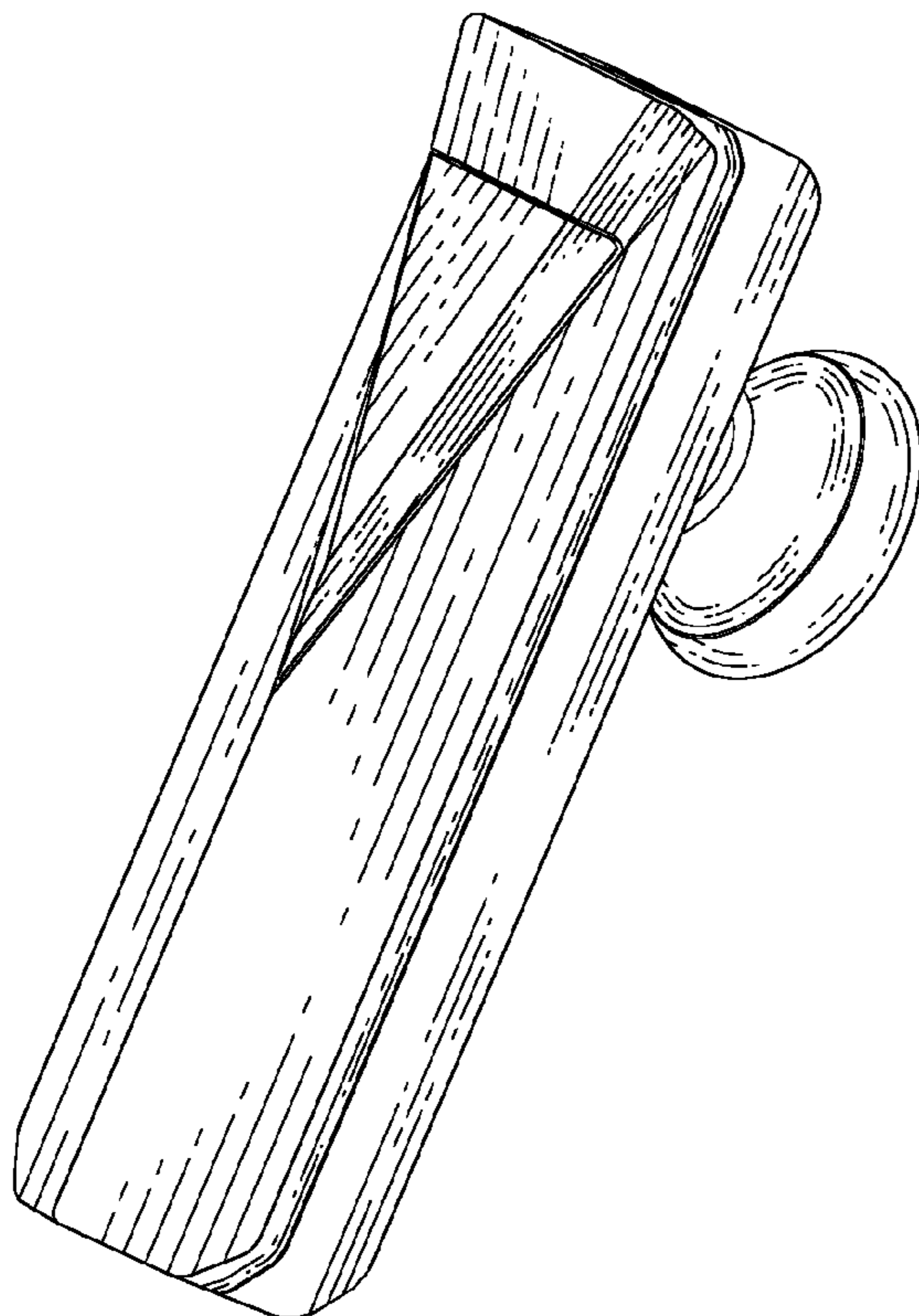
FIG. 5 is a right side elevational view thereof;

FIG. 6 is a top plan view thereof;

FIG. 7 is a bottom plan view thereof; and,

FIG. 8 is another perspective view of the bluetooth headset showing my new design.

1 Claim, 8 Drawing Sheets



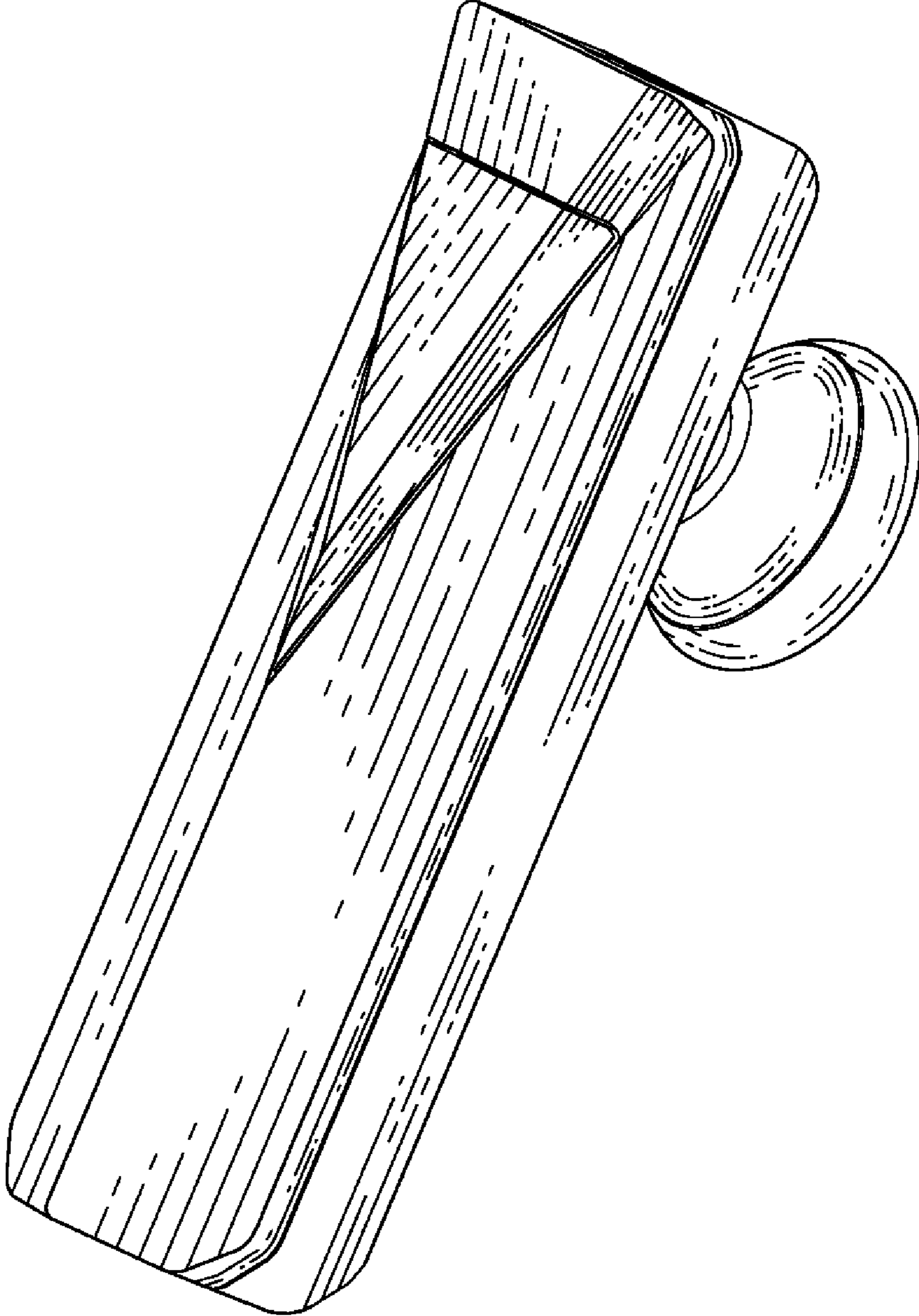


FIG. 1

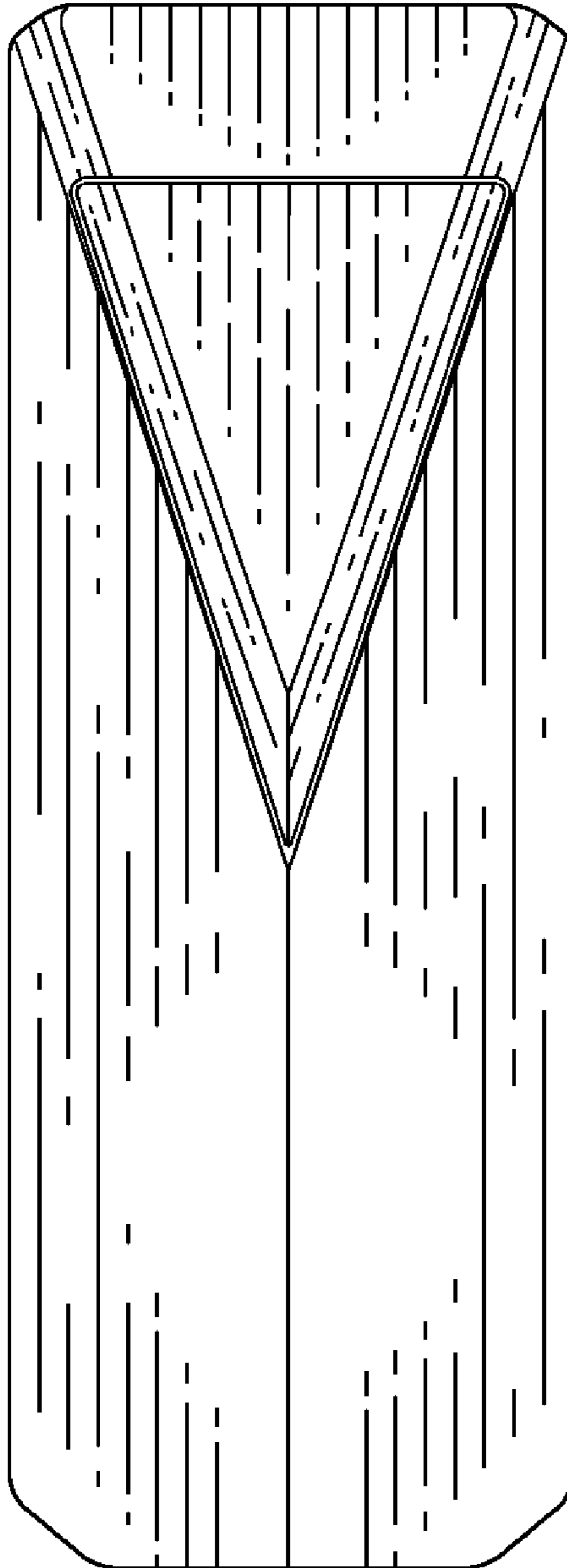


FIG. 2

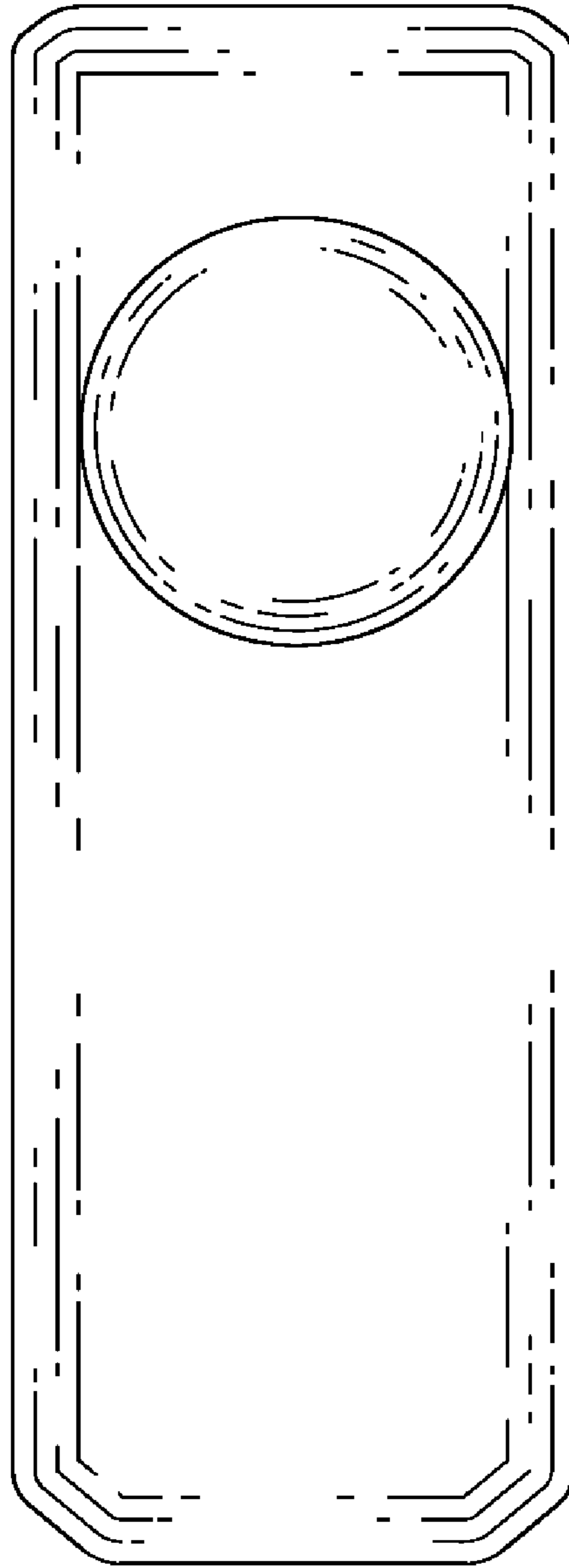


FIG. 3

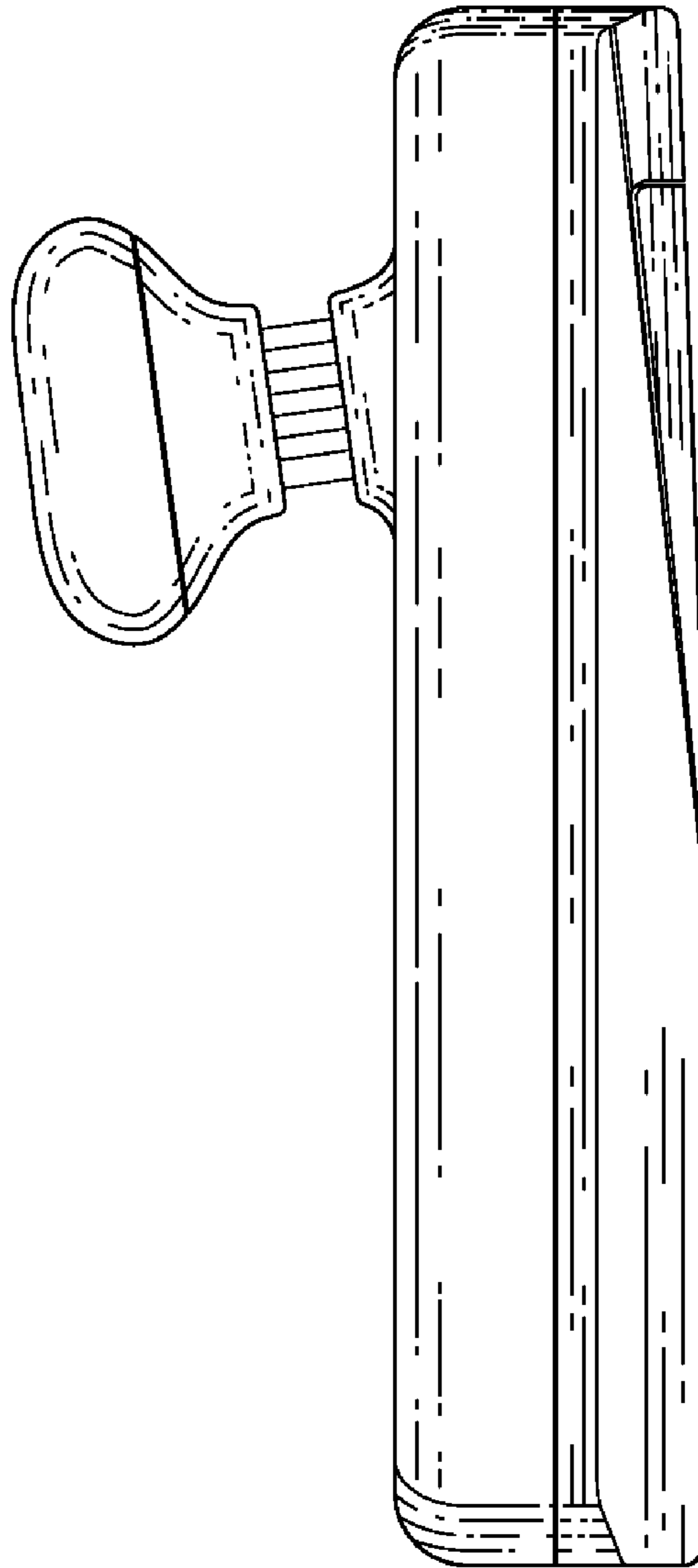


FIG. 4

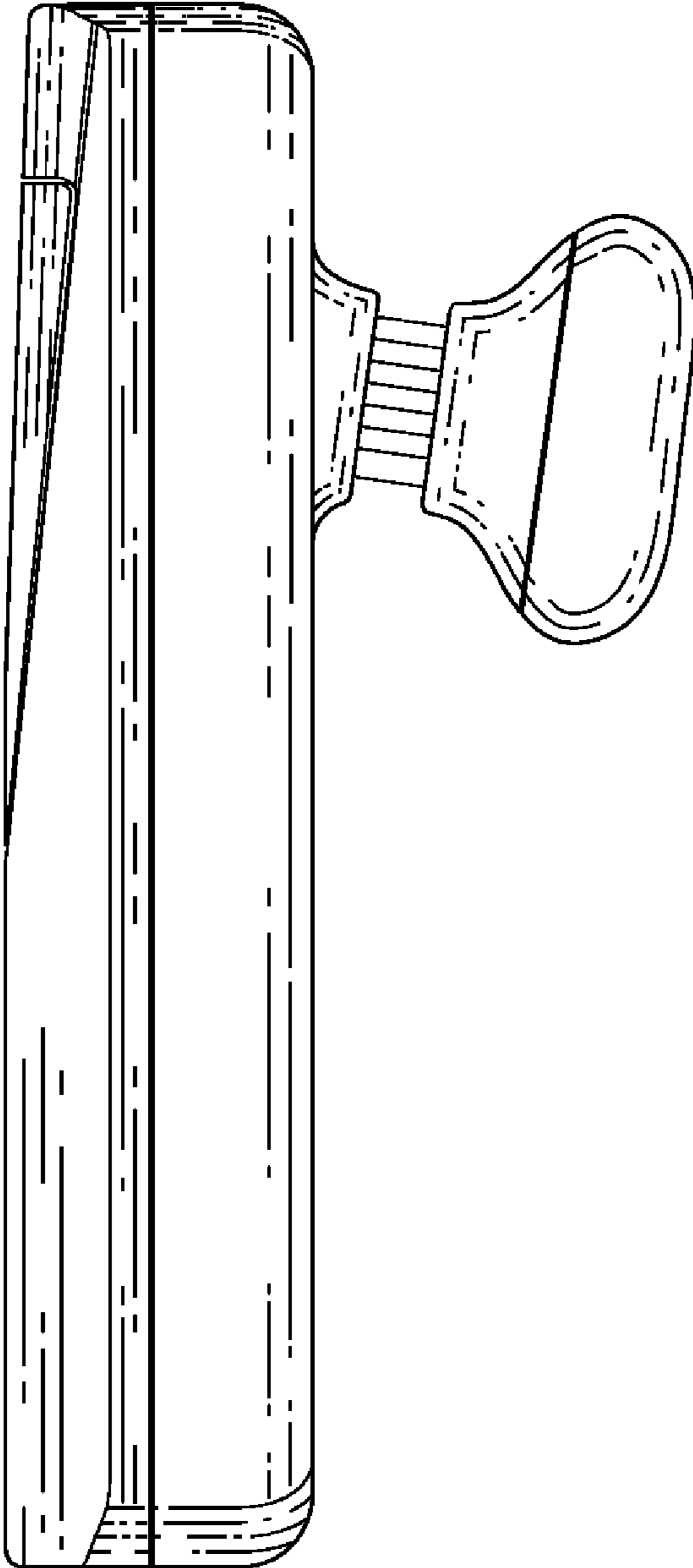


FIG. 5

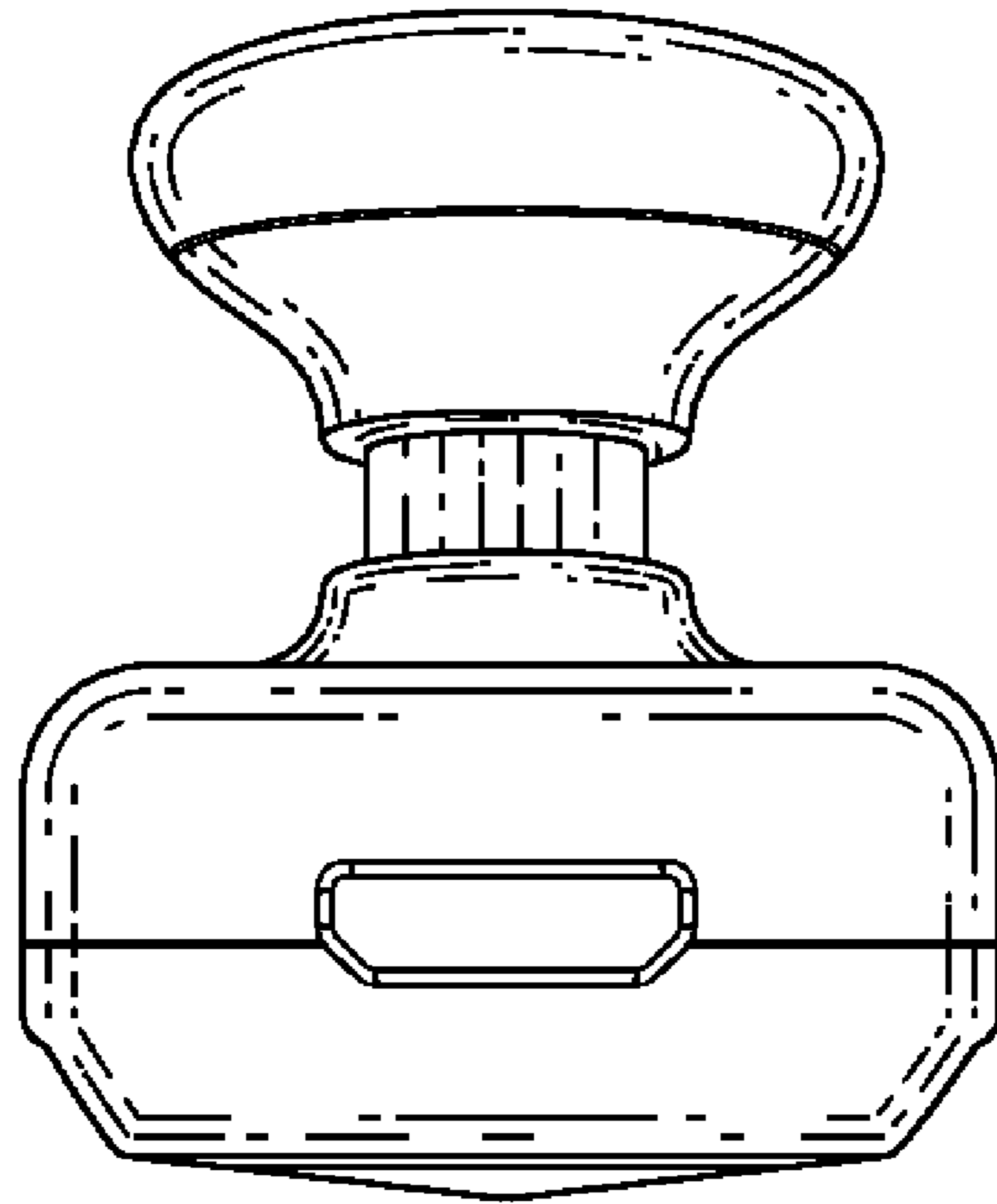


FIG. 6

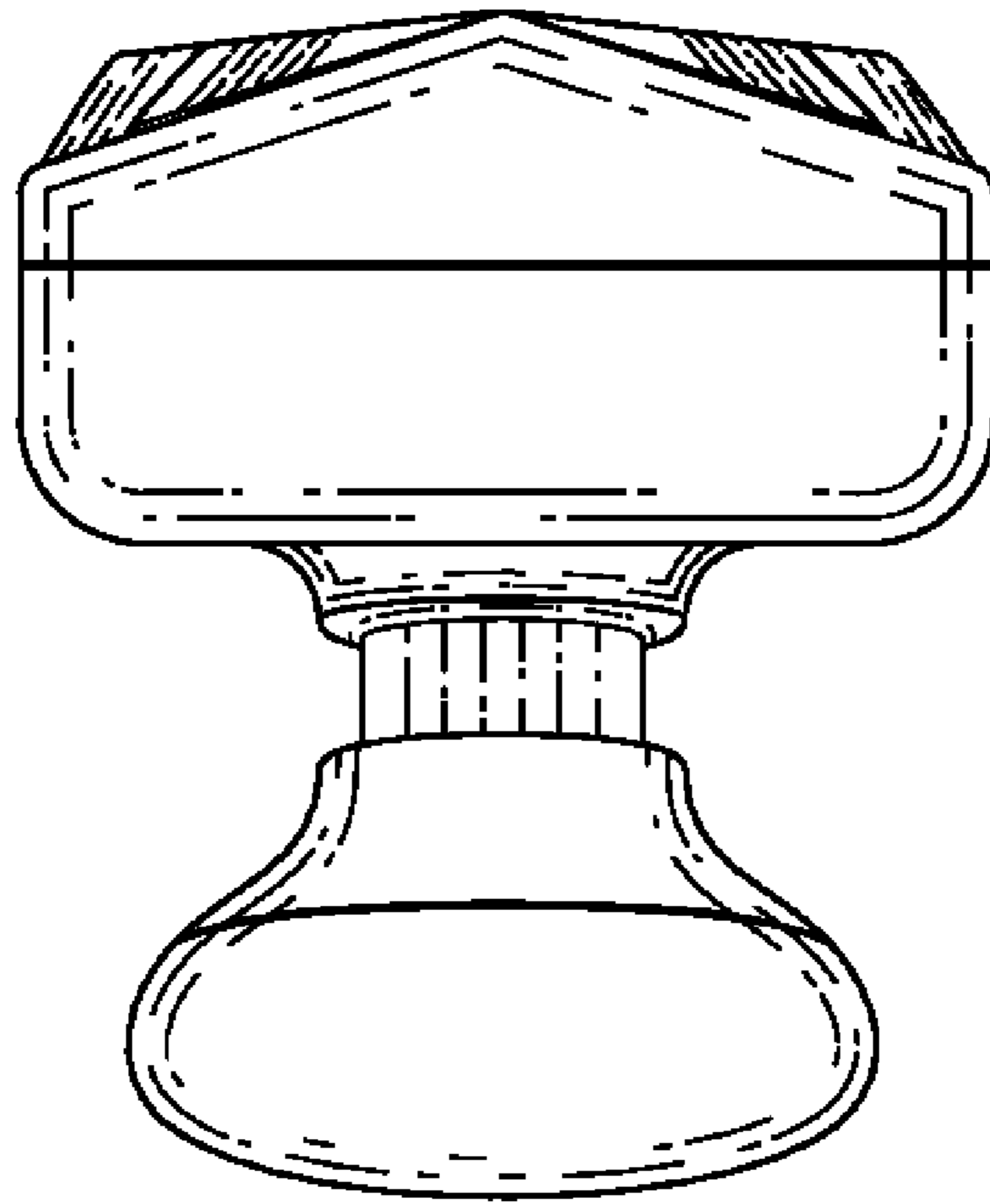


FIG. 7

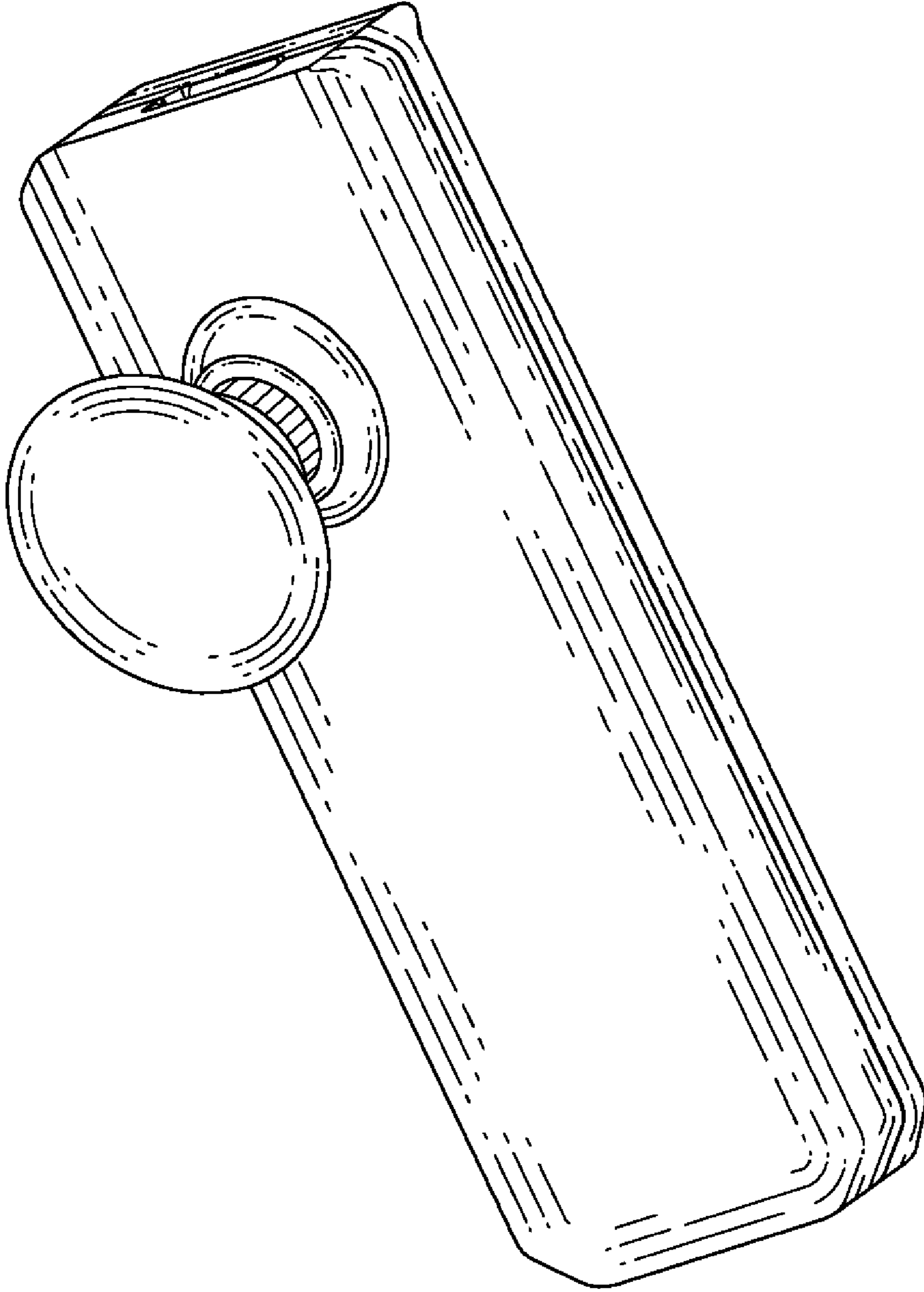


FIG. 8